



US00D575690S

(12) **United States Design Patent**
Suzuki et al.

(10) **Patent No.:** **US D575,690 S**
(45) **Date of Patent:** **** Aug. 26, 2008**

(54) **BUMPER OF MOTOR VEHICLE**

D478,028 S * 8/2007 Chiang D12/169

(75) Inventors: **Hideki Suzuki**, Hiroshima (JP);
Kaname Sawai, Hiroshima (JP);
Takeshi Shinohara, Hiroshima (JP);
Kiyoshi Kitsuki, Hiroshima (JP)

FOREIGN PATENT DOCUMENTS

JP 1216949 9/2004
JP 1230558 2/2005

* cited by examiner

(73) Assignee: **Mazda Motor Corporation** (JP)

Primary Examiner—Melody N Brown

(**) Term: **14 Years**

(74) *Attorney, Agent, or Firm*—Studebaker & Brackett PC;
Donald R. Studebaker

(21) Appl. No.: **29/254,742**

(57) **CLAIM**

(22) Filed: **Feb. 28, 2006**

The ornamental design for a bumper of motor vehicle, as shown and described.

(51) **LOC (8) Cl.** **12-16**

DESCRIPTION

(52) **U.S. Cl.** **D12/169**

FIG. 1 is a front perspective view of a bumper of motor vehicle;

(58) **Field of Classification Search** D12/90-92,

D12/86, 169, 196, 163; 296/180.1, 180.2;

293/102, 113, 115, 117, 120

FIG. 2 is a front view thereof;

See application file for complete search history.

FIG. 3 is a rear view thereof;

(56) **References Cited**

U.S. PATENT DOCUMENTS

D532,726 S * 11/2006 Sonoda et al. D12/169

D533,818 S * 12/2006 Kitazumi et al. D12/169

D545,733 S * 7/2007 Hamano D12/169

D545,734 S * 7/2007 Kono D12/169

FIG. 4 is a left side view thereof;

FIG. 5 is a right side view thereof;

FIG. 6 is a top view thereof; and,

FIG. 7 is a bottom view thereof.

1 Claim, 4 Drawing Sheets

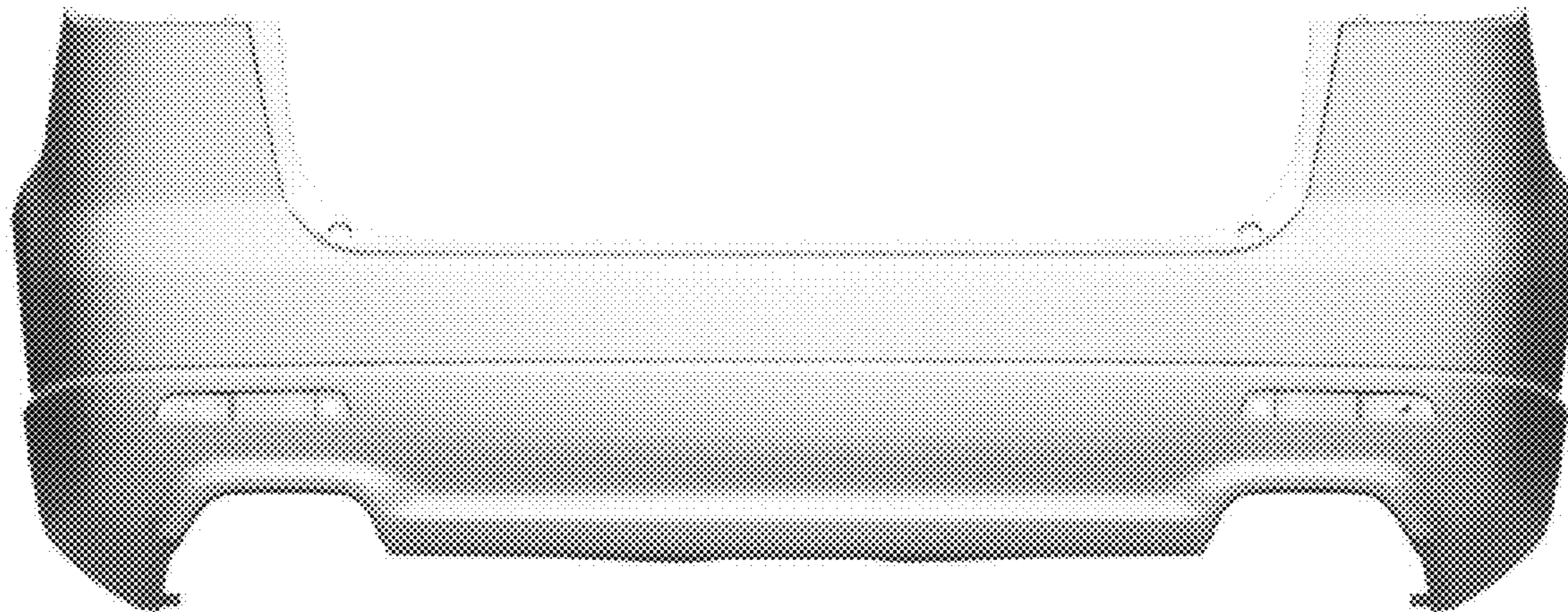


Fig. 1

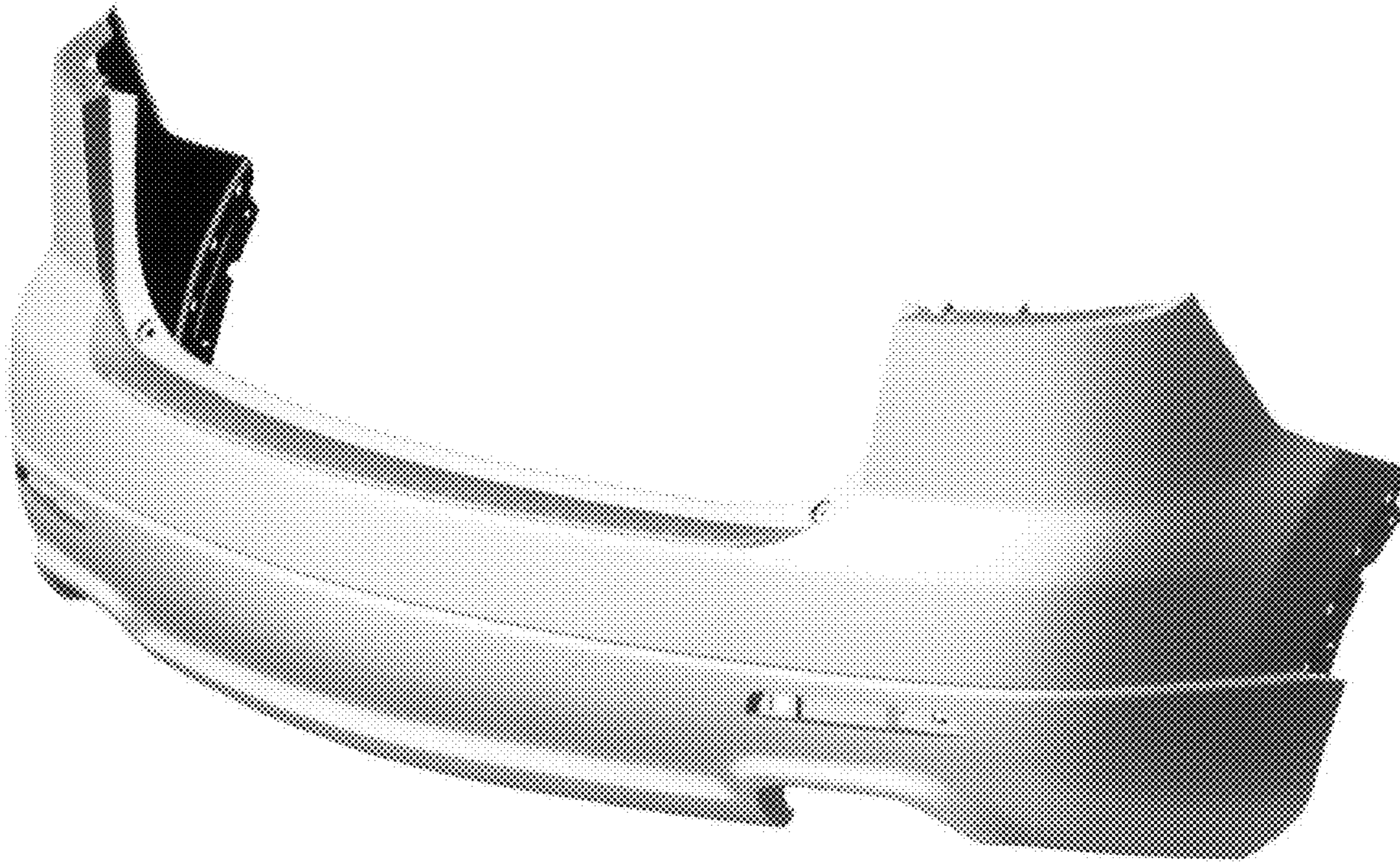


Fig.2

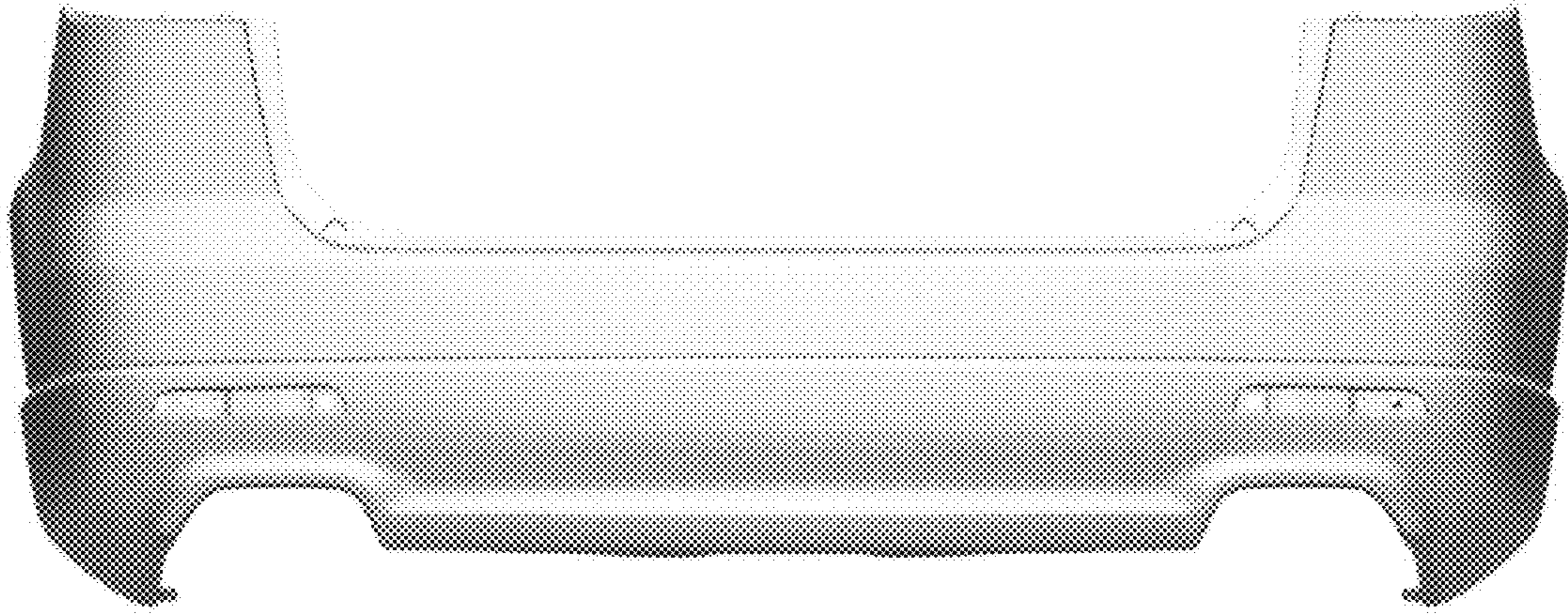


Fig.3

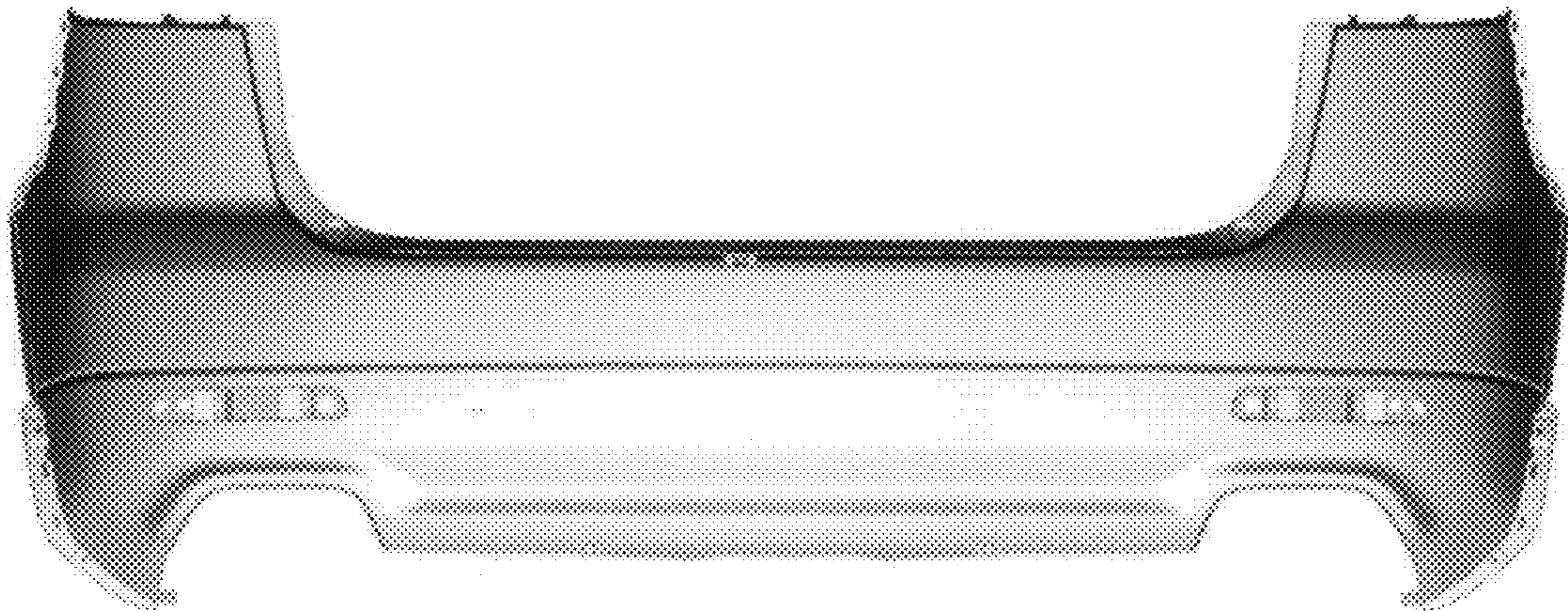


Fig. 4

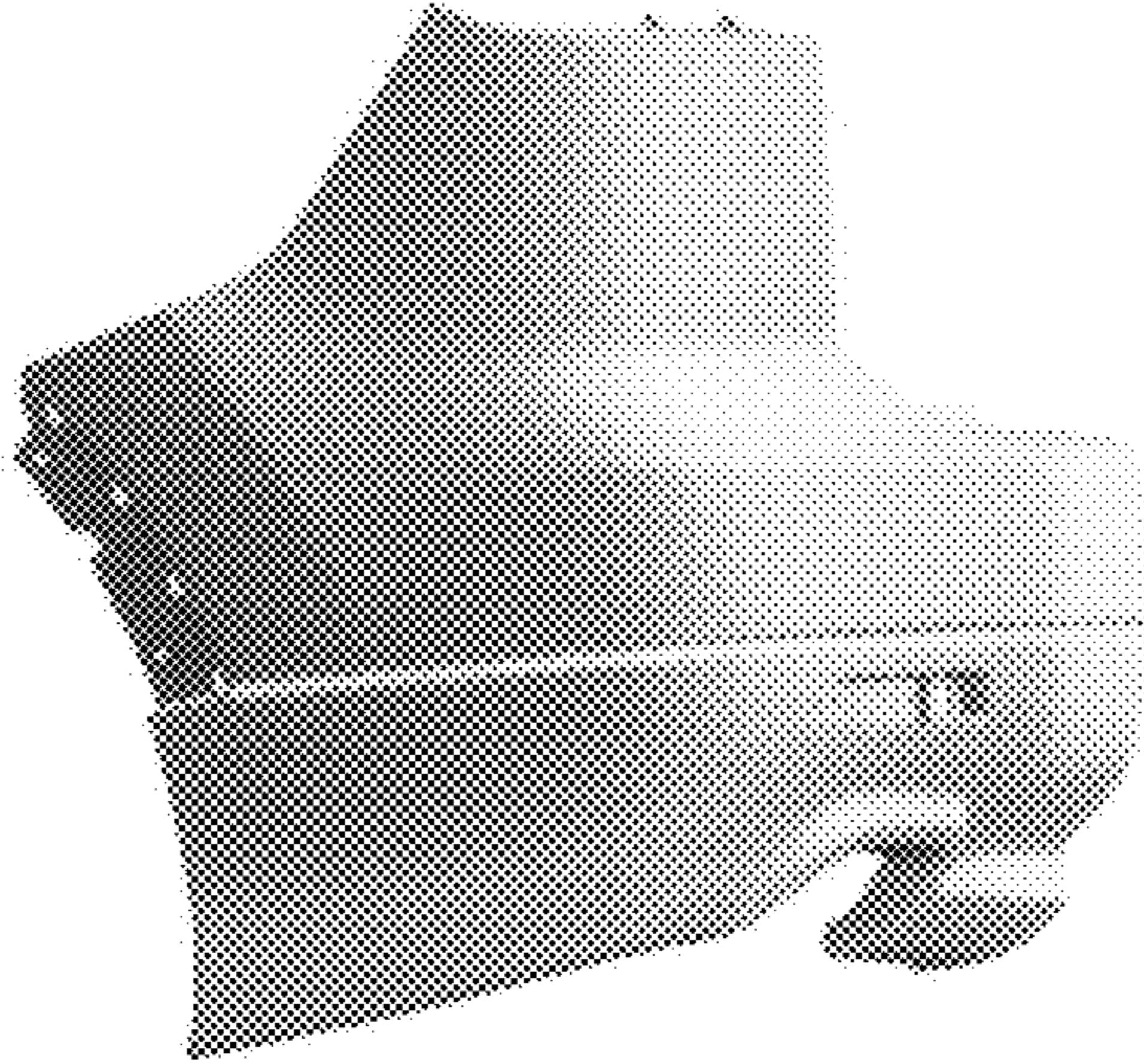


Fig. 5

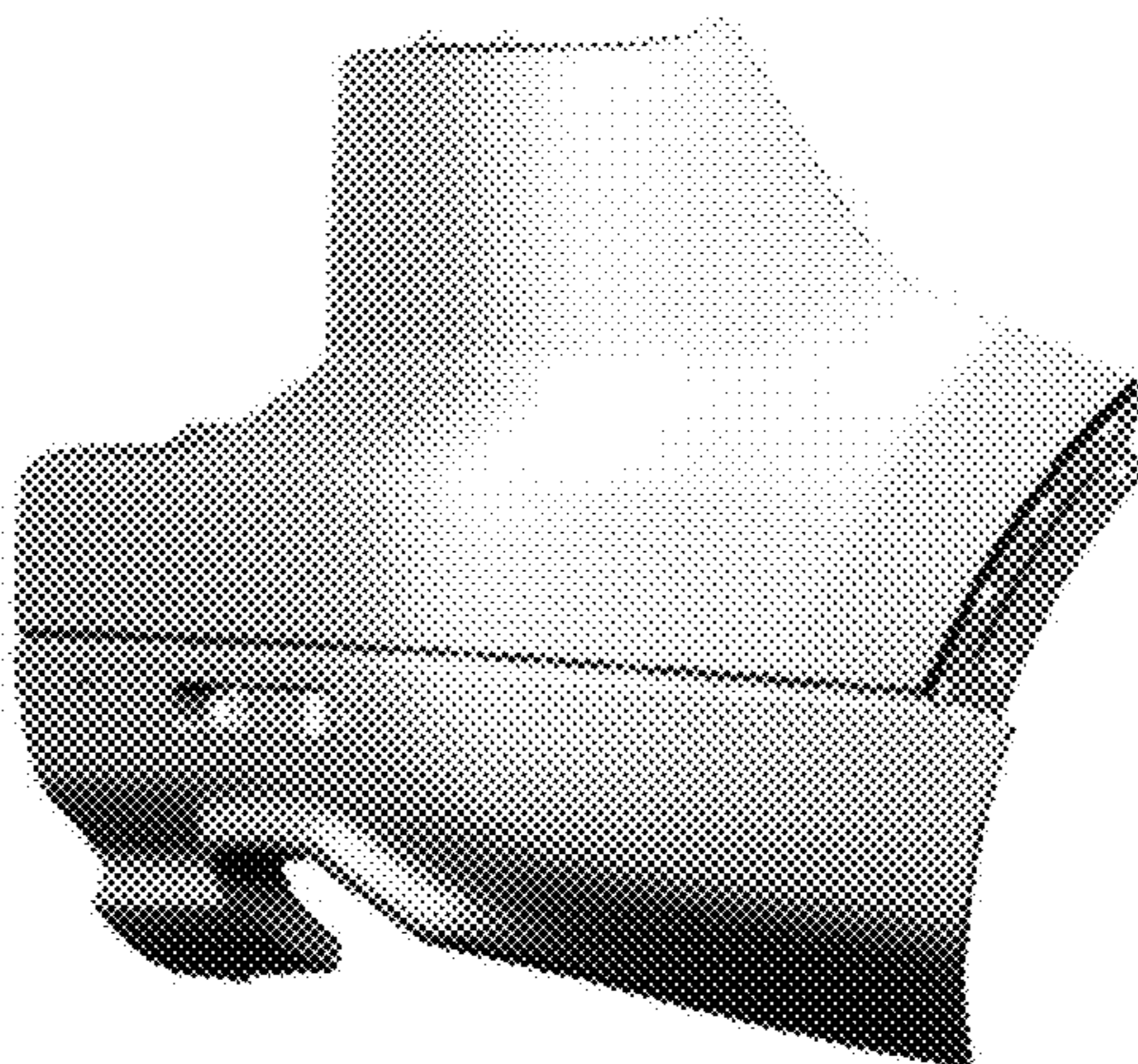


Fig.6

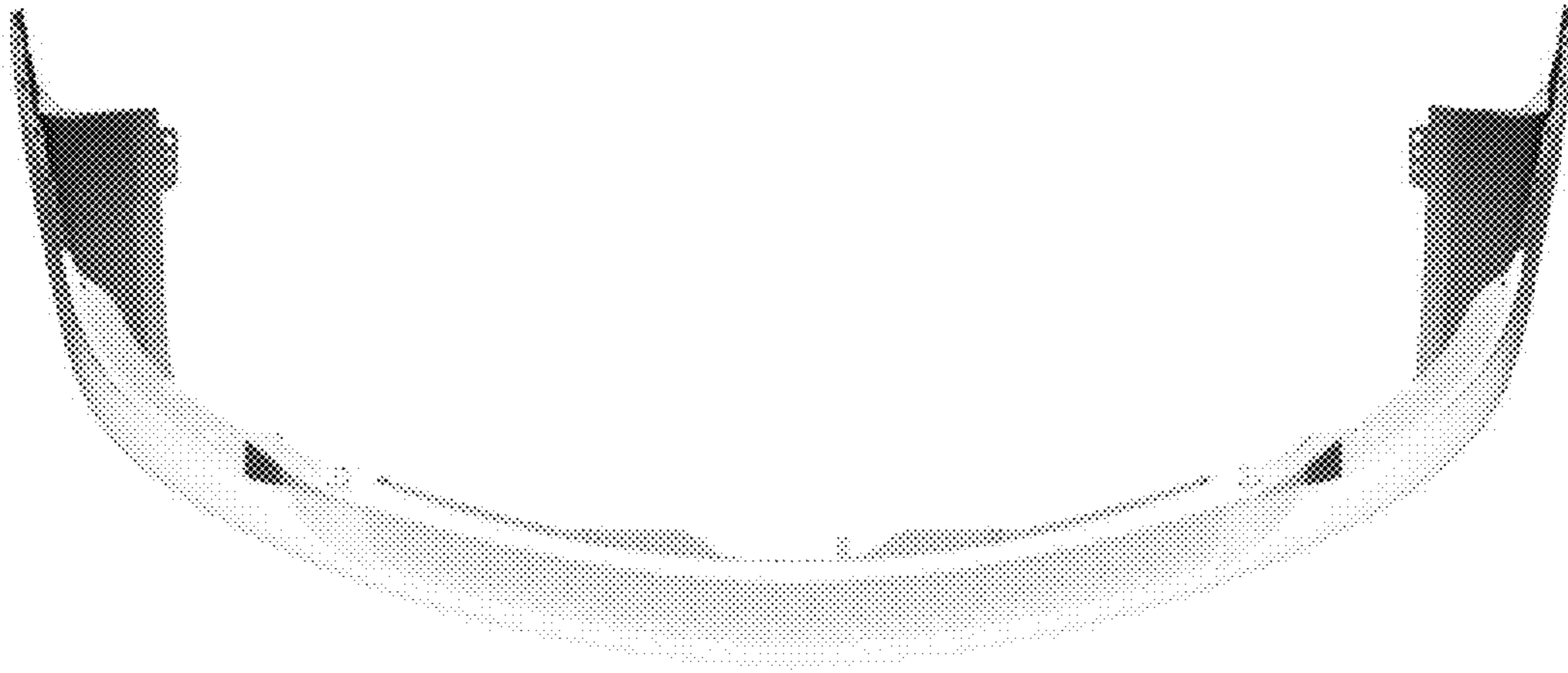


Fig.7

