



US00D575687S

(12) **United States Design Patent**
Hatake

(10) **Patent No.:** **US D575,687 S**
(45) **Date of Patent:** **** Aug. 26, 2008**

(54) **FRONT GRILLE FOR AN AUTOMOBILE**

(75) Inventor: **Hiroyuki Hatake**, Toyota (JP)
(73) Assignee: **Toyota Jidosha Kabushiki Kaisha** (JP)
(**) Term: **14 Years**
(21) Appl. No.: **29/295,103**
(22) Filed: **Sep. 21, 2007**

(51) **LOC (8) Cl.** **12-16**
(52) **U.S. Cl.** **D12/163**
(58) **Field of Classification Search** D12/163,
D12/171, 196, 216, 90-92, 86; 180/68.1,
180/68.6; 296/193.11
See application file for complete search history.

(56) **References Cited**

U.S. PATENT DOCUMENTS

D535,224 S * 1/2007 Kubota et al. D12/163
D541,707 S * 5/2007 Komuro D12/163
D557,184 S * 12/2007 Janik D12/163
D562,741 S * 2/2008 Matsumoto et al. D12/163
D565,479 S * 4/2008 Iida et al. D12/163
D565,480 S * 4/2008 McMahan D12/163

OTHER PUBLICATIONS

Toyota, Mark X, Brochure of Mark X, Oct. 2006, Toyota Jidosha Kabushiki Kaisha.
Toyota, Blade, Brochure of Blade, Dec. 2006, Toyota Jidosha Kabushiki Kaisha.

* cited by examiner

Primary Examiner—Melody N Brown

(74) *Attorney, Agent, or Firm*—SAIDMAN DesignLaw Group

(57) **CLAIM**

The ornamental design for a front grille for an automobile, as shown and described.

DESCRIPTION

FIG. 1 is a perspective view of a front grille for an automobile showing my new design;

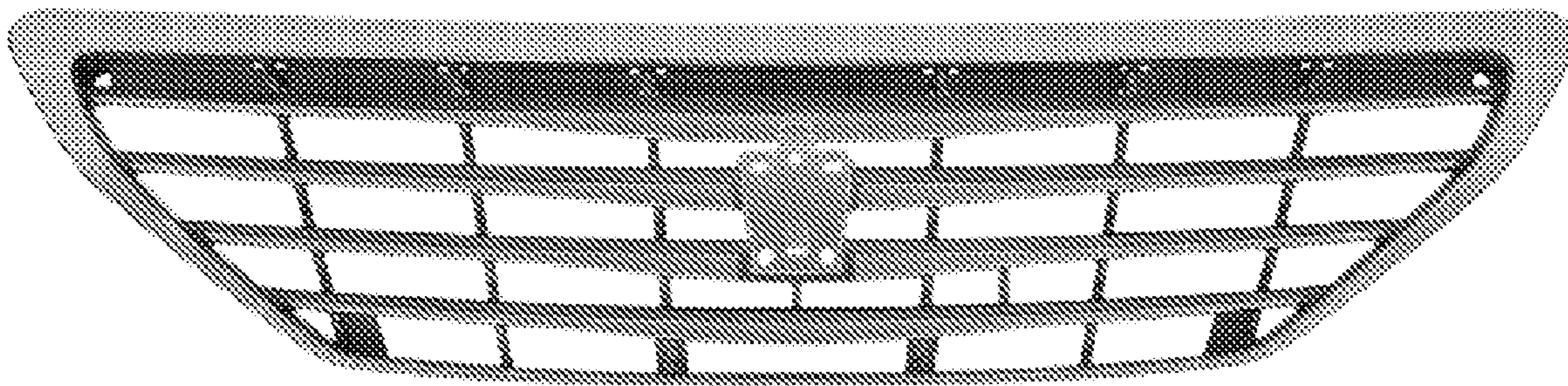
FIG. 2 is a front view thereof;

FIG. 3 is a top view thereof;

FIG. 4 is a right-side view thereof; and,

FIG. 5 is a left-side view thereof.

1 Claim, 1 Drawing Sheet



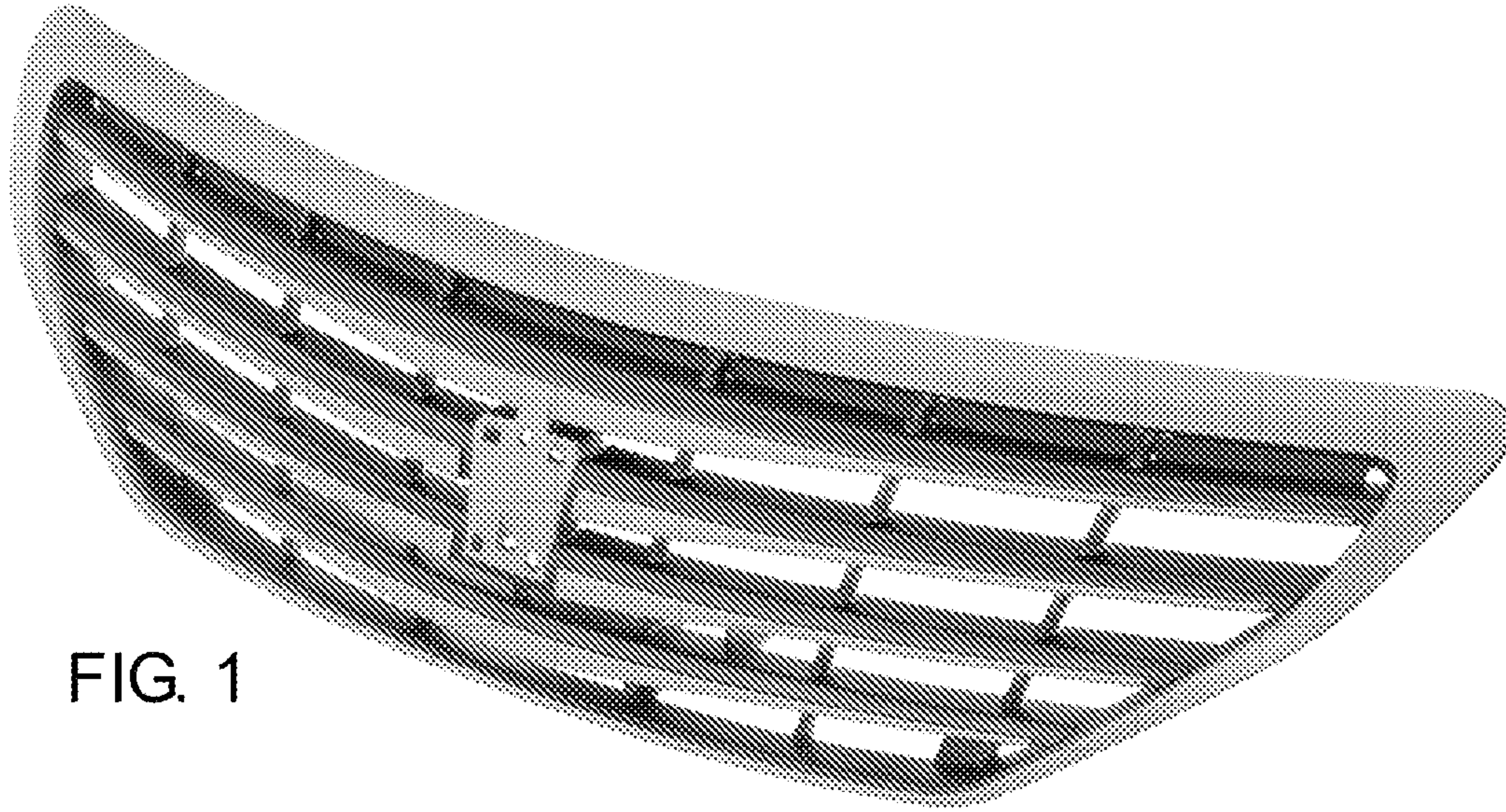


FIG. 1

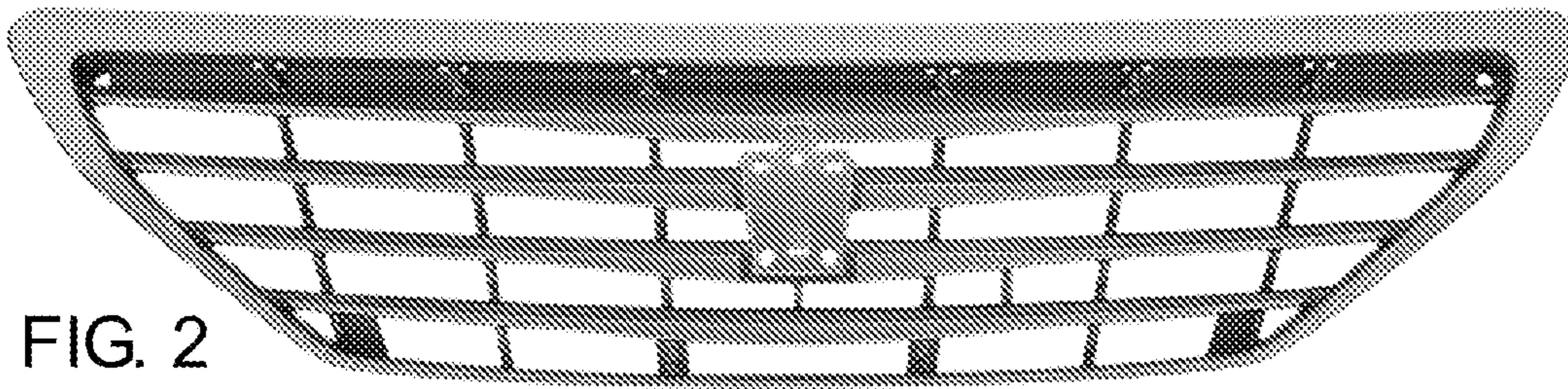


FIG. 2



FIG. 3

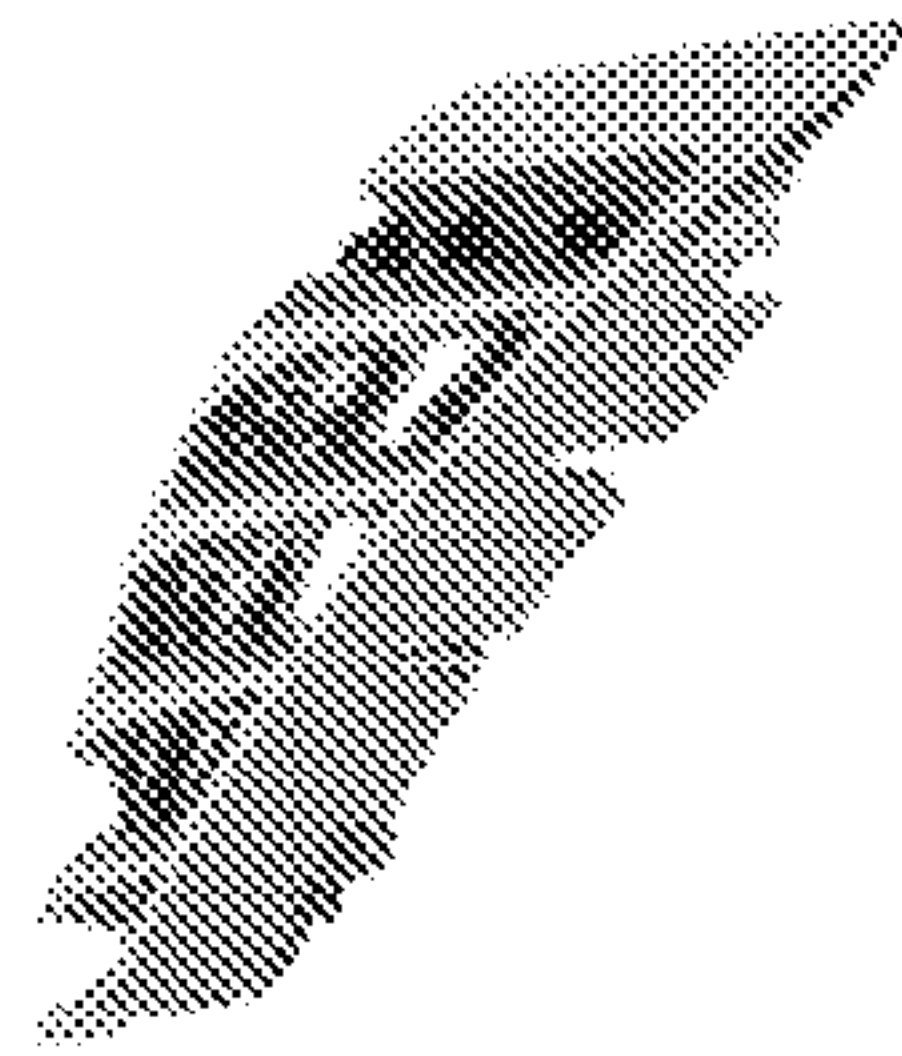


FIG. 4

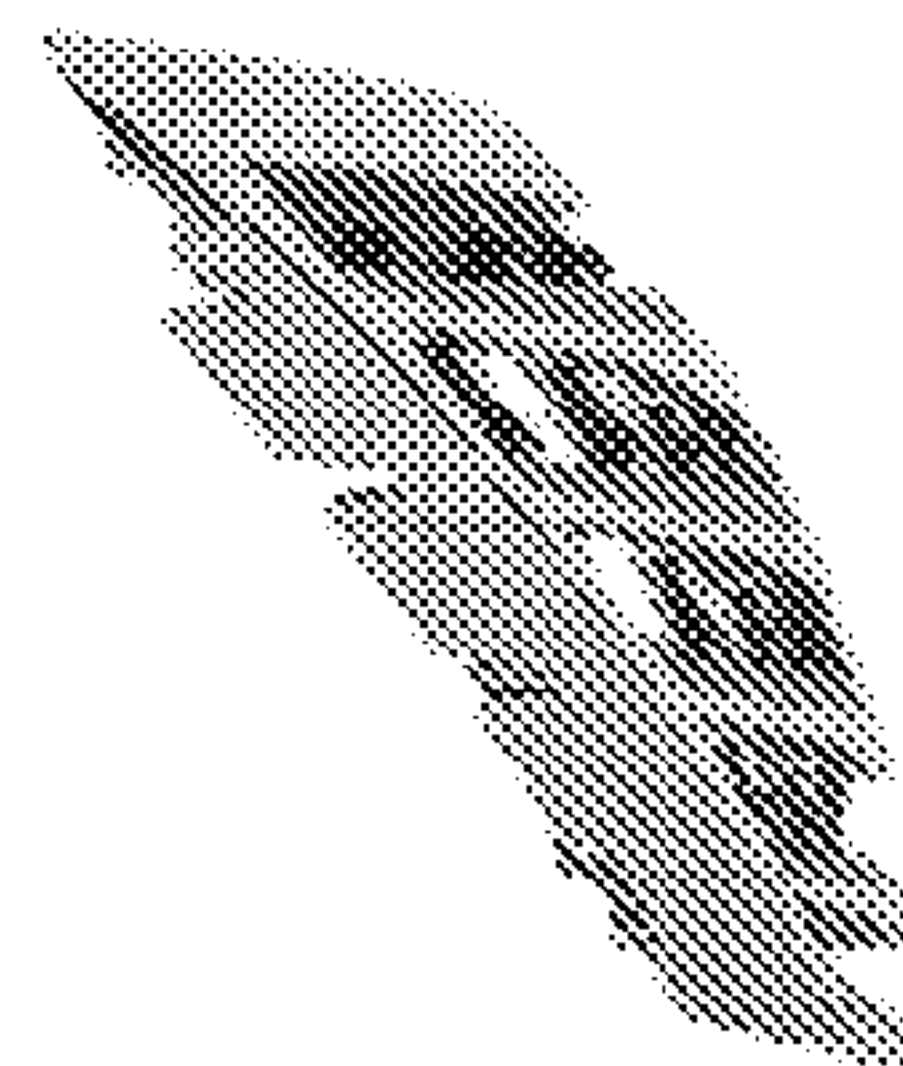


FIG. 5