



US00D575681S

(12) **United States Design Patent**  
**Argote Vivar**

(10) **Patent No.:** **US D575,681 S**

(45) **Date of Patent:** **\*\* Aug. 26, 2008**

(54) **BICYCLE FRAME**

6,889,992 B2 \* 5/2005 Vroomen et al. .... 280/281.1

(75) Inventor: **José Ignacio Argote Vivar**, Mallabia (ES)

\* cited by examiner

(73) Assignee: **Orbea, S. Coop, Ltda**, Mallabia (ES)

*Primary Examiner*—Cathron Brooks

*Assistant Examiner*—Linda Brooks

(\*\*) Term: **14 Years**

(74) *Attorney, Agent, or Firm*—Lucas & Mercanti, LLP

(21) Appl. No.: **29/280,177**

(57) **CLAIM**

(22) Filed: **May 18, 2007**

The ornamental design for a bicycle frame, substantially as shown and described.

(51) **LOC (8) Cl.** ..... **12-11**

(52) **U.S. Cl.** ..... **D12/111**

(58) **Field of Classification Search** ..... D12/111,  
D12/117, 118; 280/274–280, 281.1, 288.1–288.4,  
280/283–288

See application file for complete search history.

**DESCRIPTION**

FIG. 1 is a front perspective view of my bicycle frame.

FIG. 2 is a right-side view of my bicycle frame;

FIG. 3 is a bottom view of my bicycle frame; and

FIG. 4 is a front view of my bicycle frame;

FIG. 5 is a left-side view of my bicycle frame;

FIG. 6 is a top view of my bicycle frame;

FIG. 7 is a back view of my bicycle frame; and,

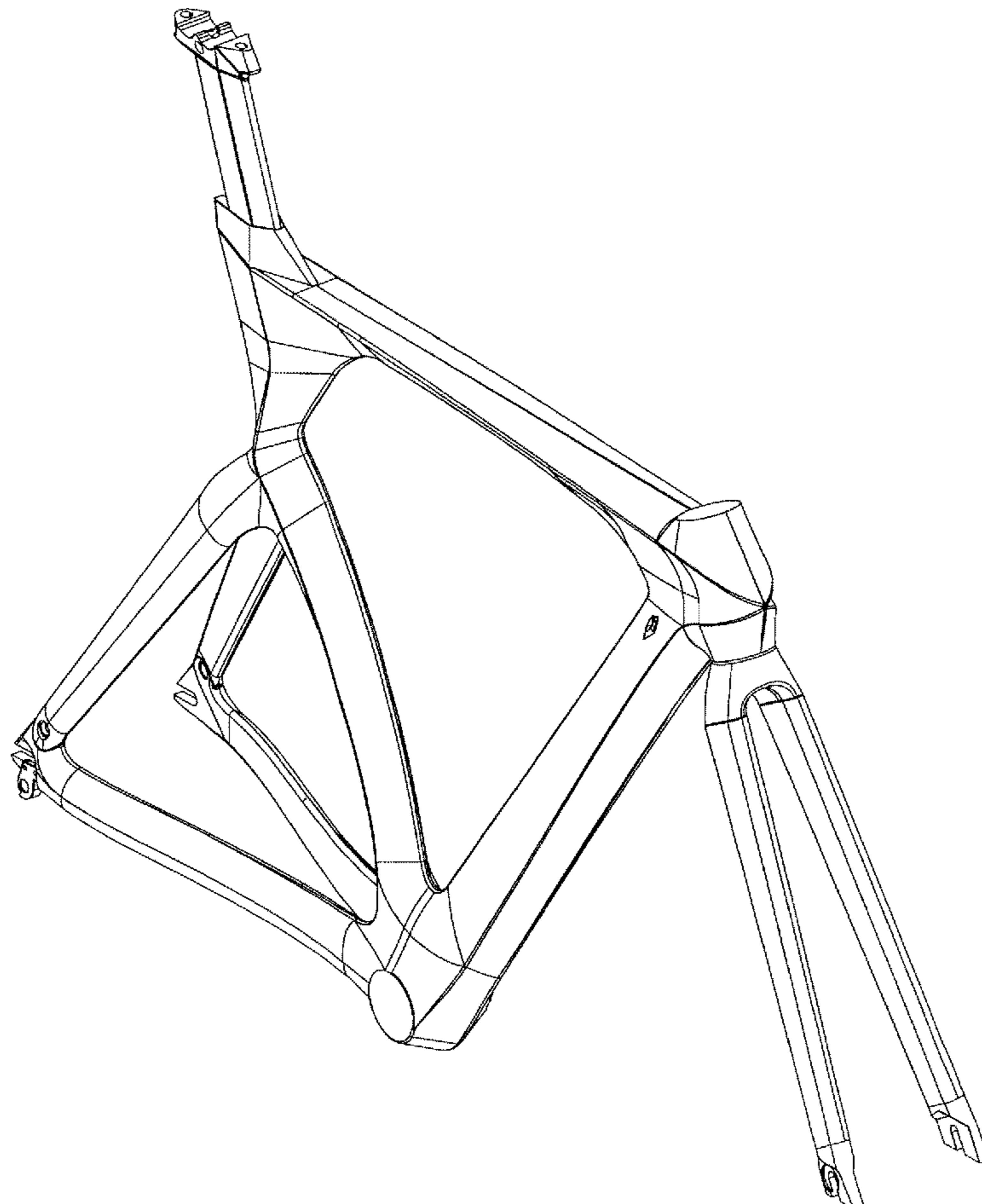
FIG. 8 is a back perspective view of my bicycle frame.

(56) **References Cited**

**U.S. PATENT DOCUMENTS**

4,941,674	A *	7/1990	Trimble	.....	280/281.1
4,982,975	A *	1/1991	Trimble	.....	280/281.1
5,957,473	A *	9/1999	Lawwill	.....	280/281.1
6,036,213	A *	3/2000	Busby	.....	280/284

**1 Claim, 8 Drawing Sheets**



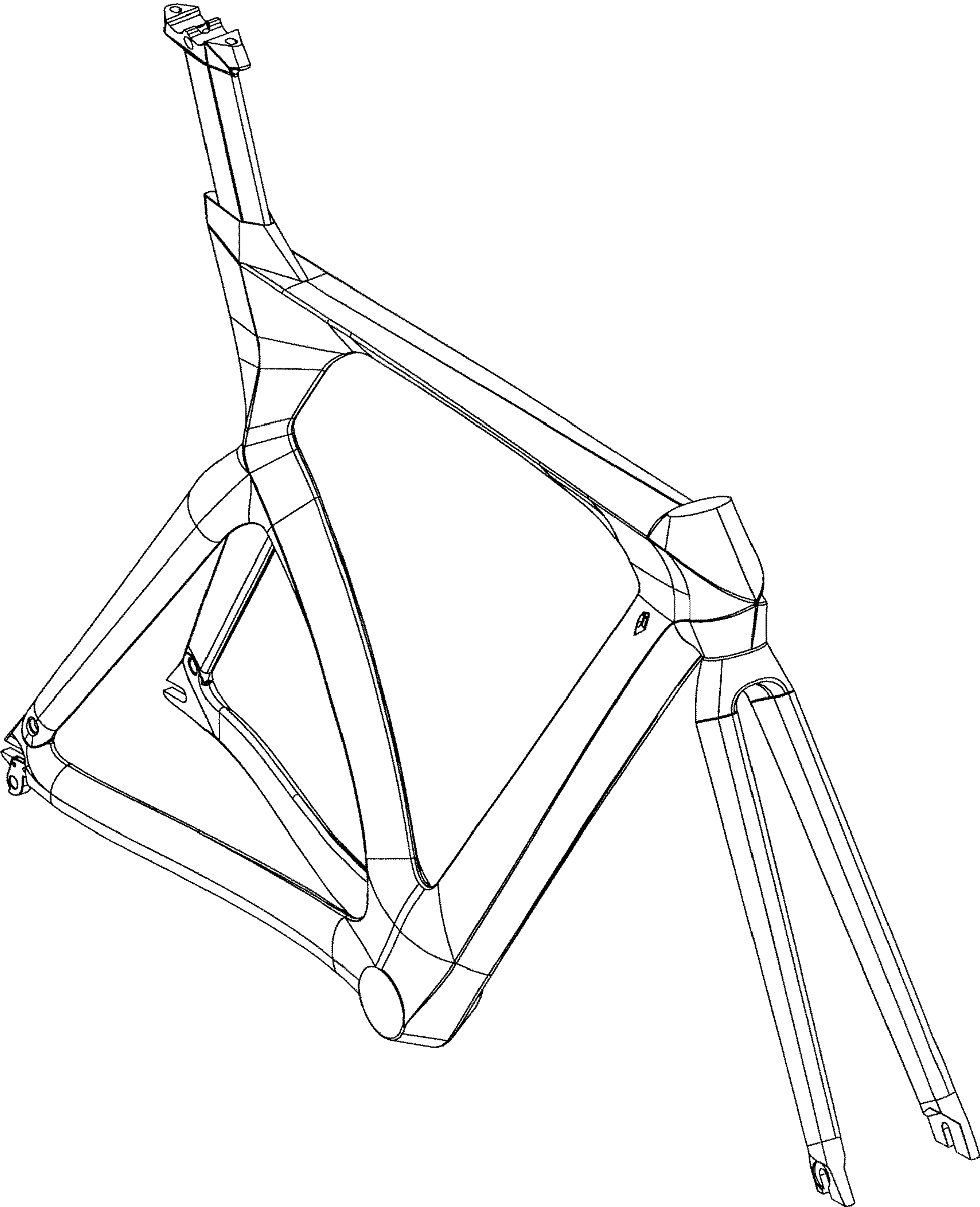


FIG. 1

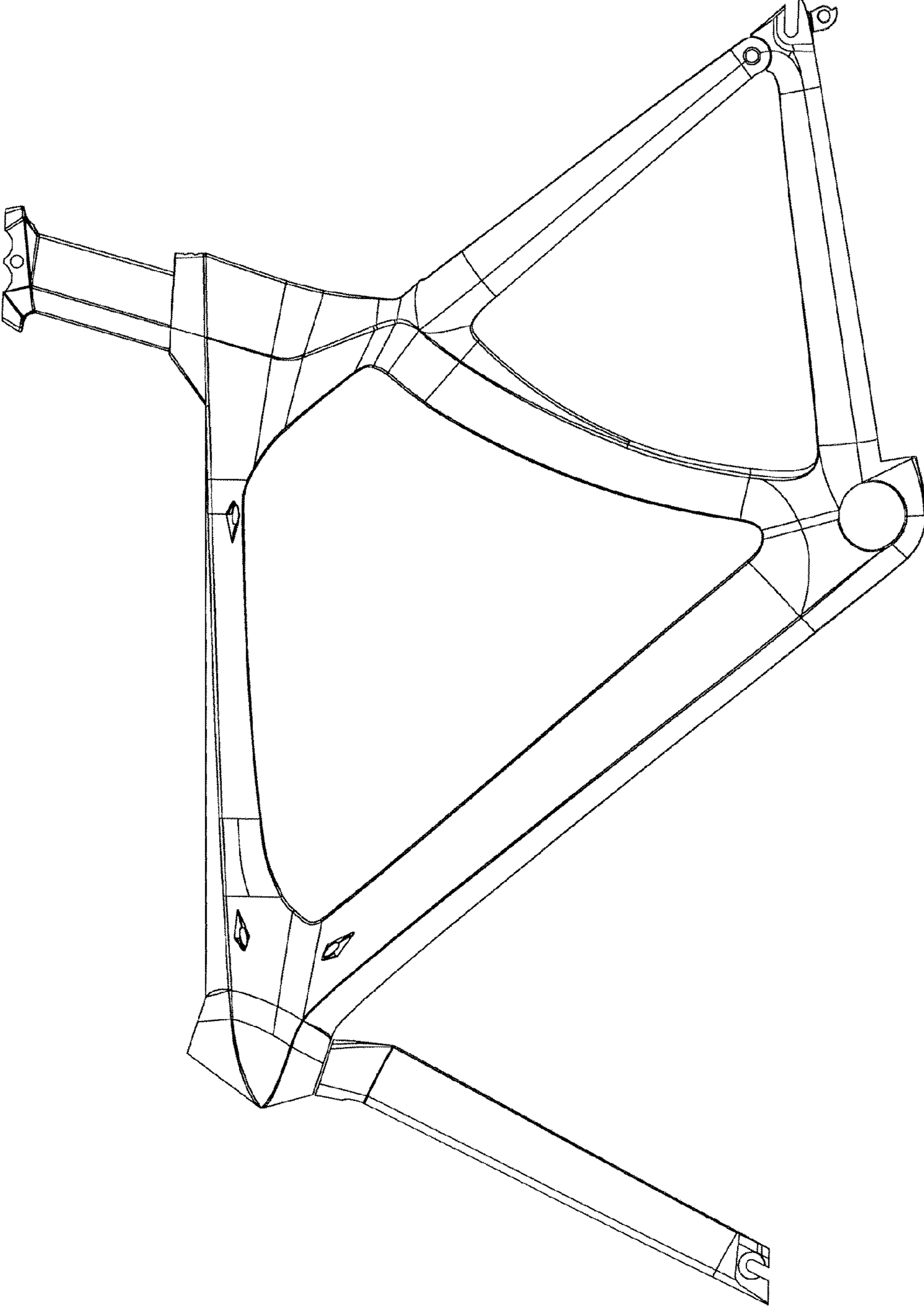


FIG. 2

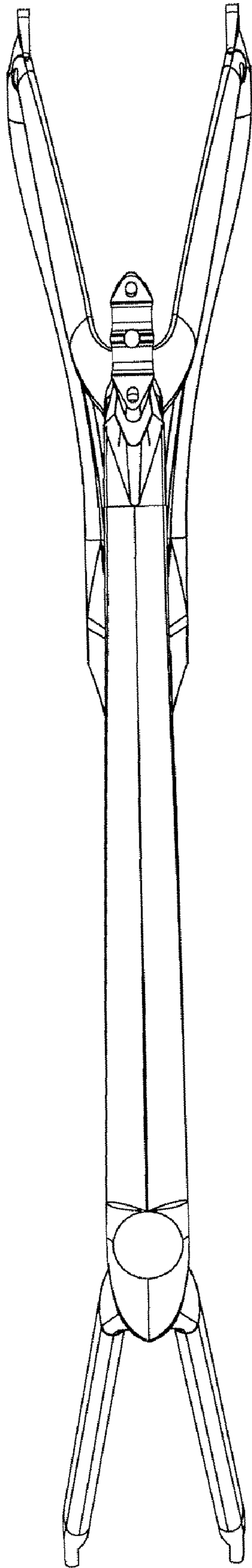


FIG. 3

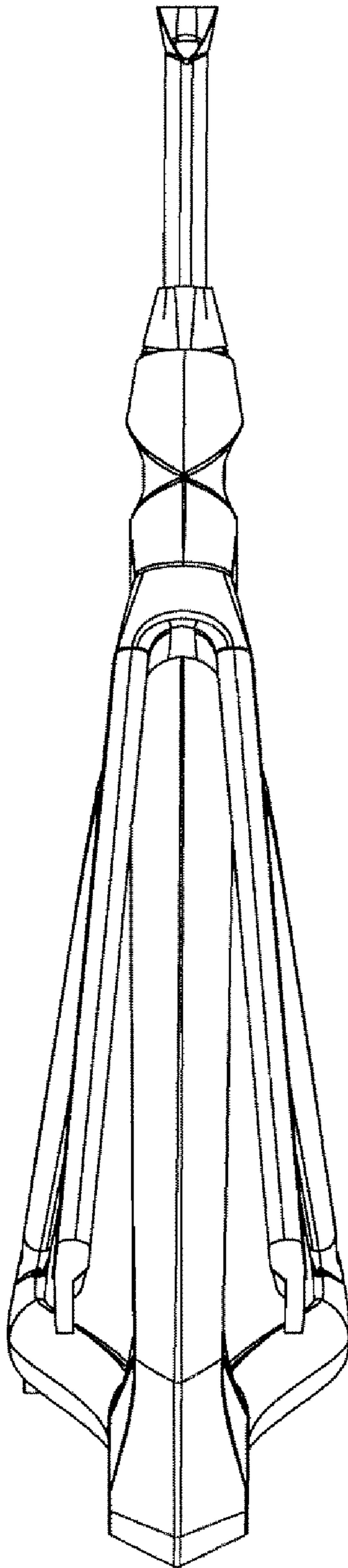


FIG. 4

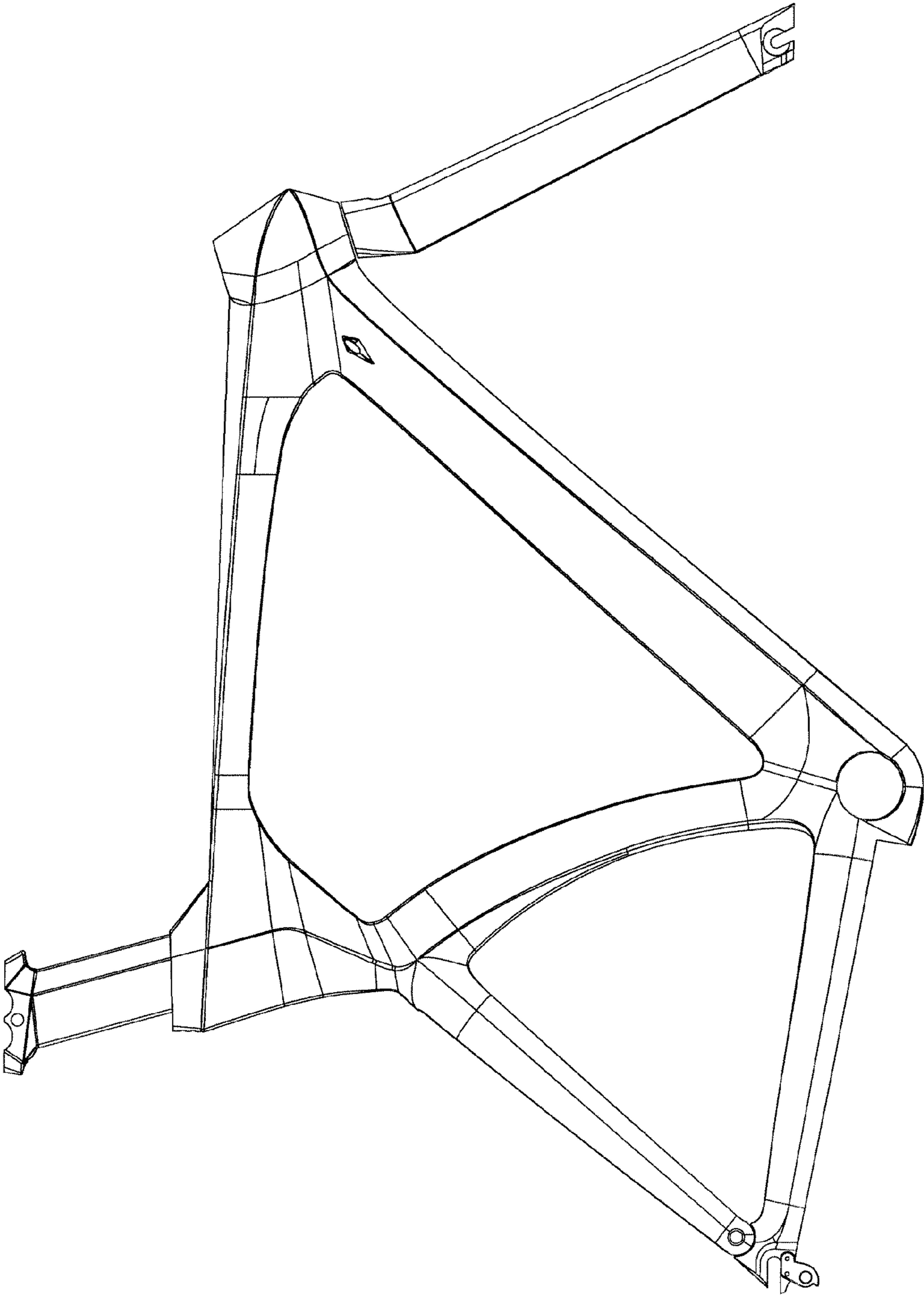


FIG. 5

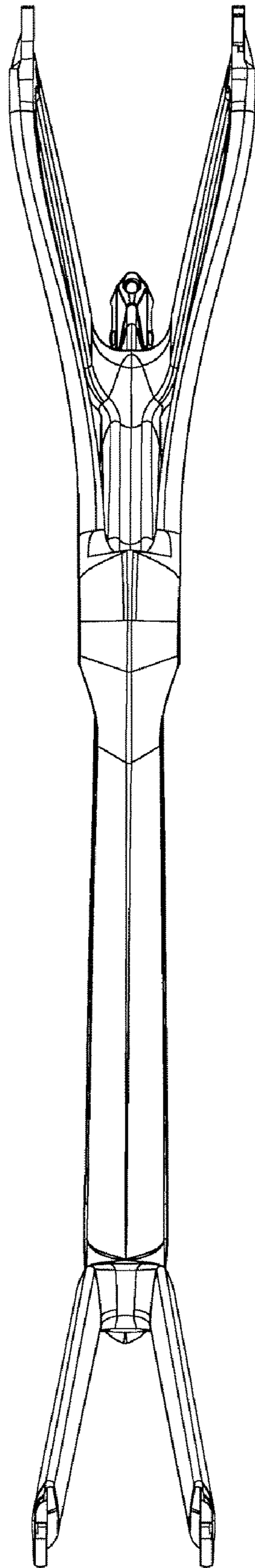


FIG. 6

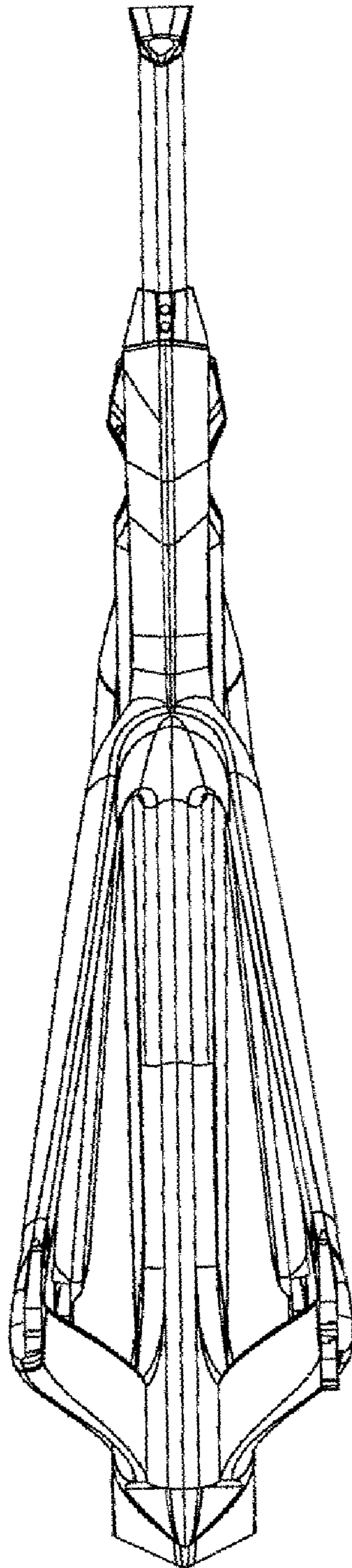


FIG. 7



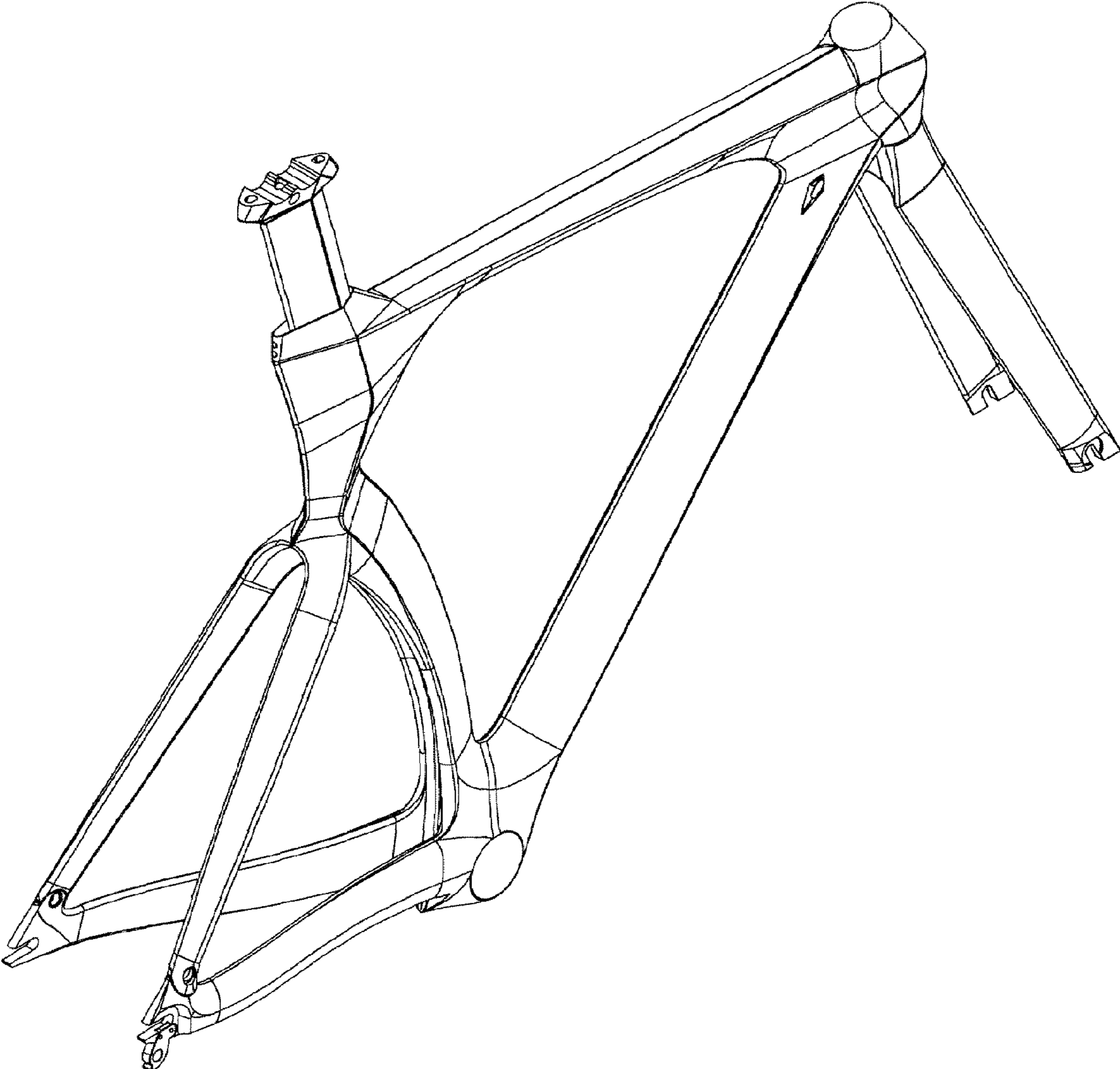


FIG. 8