



US00D575676S

(12) **United States Design Patent**
Pfeiffer

(10) **Patent No.:** **US D575,676 S**

(45) **Date of Patent:** **** Aug. 26, 2008**

(54) **VEHICLE, TOY, AND/OR OTHER REPLICAS**

(57) **CLAIM**

(75) Inventor: **Peter Pfeiffer**, Boeblingen (DE)

The ornamental design for a vehicle, toy, and/or other replicas, as shown and described.

(73) Assignee: **Daimler AG**, Stuttgart (DE)

(**) Term: **14 Years**

DESCRIPTION

(21) Appl. No.: **29/271,921**

This application is related to the following co-pending applications, of the inventor, filed on even date herewith: application Ser. No. 29/271,916, entitled "Rear Door for a Vehicle"; application Ser. No. 29/271,923, entitled "Hood for a Vehicle"; application Ser. No. 29/271,922, entitled "Radiator Grill for a Vehicle"; application Ser. No. 29/271,920, entitled "Rear Bumper for a Vehicle"; and application Ser. No. 29/271,917, entitled "Front Bumper for a Vehicle".

(22) Filed: **Jan. 30, 2007**

(51) **LOC (8) Cl.** **12-08**

(52) **U.S. Cl.** **D12/91**

(58) **Field of Classification Search** D12/90-92,
D12/86; 296/181.1, 181.5

See application file for complete search history.

FIG. 1 is a left, front perspective view of a vehicle, toy, and/or other replicas according to my novel design;

FIG. 2 is a right, rear perspective view thereof;

FIG. 3 is a left side view thereof;

FIG. 4 is a right side view thereof;

FIG. 5 is a front view thereof;

FIG. 6 is a rear view thereof; and,

FIG. 7 is a top view thereof.

The broken lines are for illustrative purposes only and form no part of the claimed design.

(56) **References Cited**

U.S. PATENT DOCUMENTS

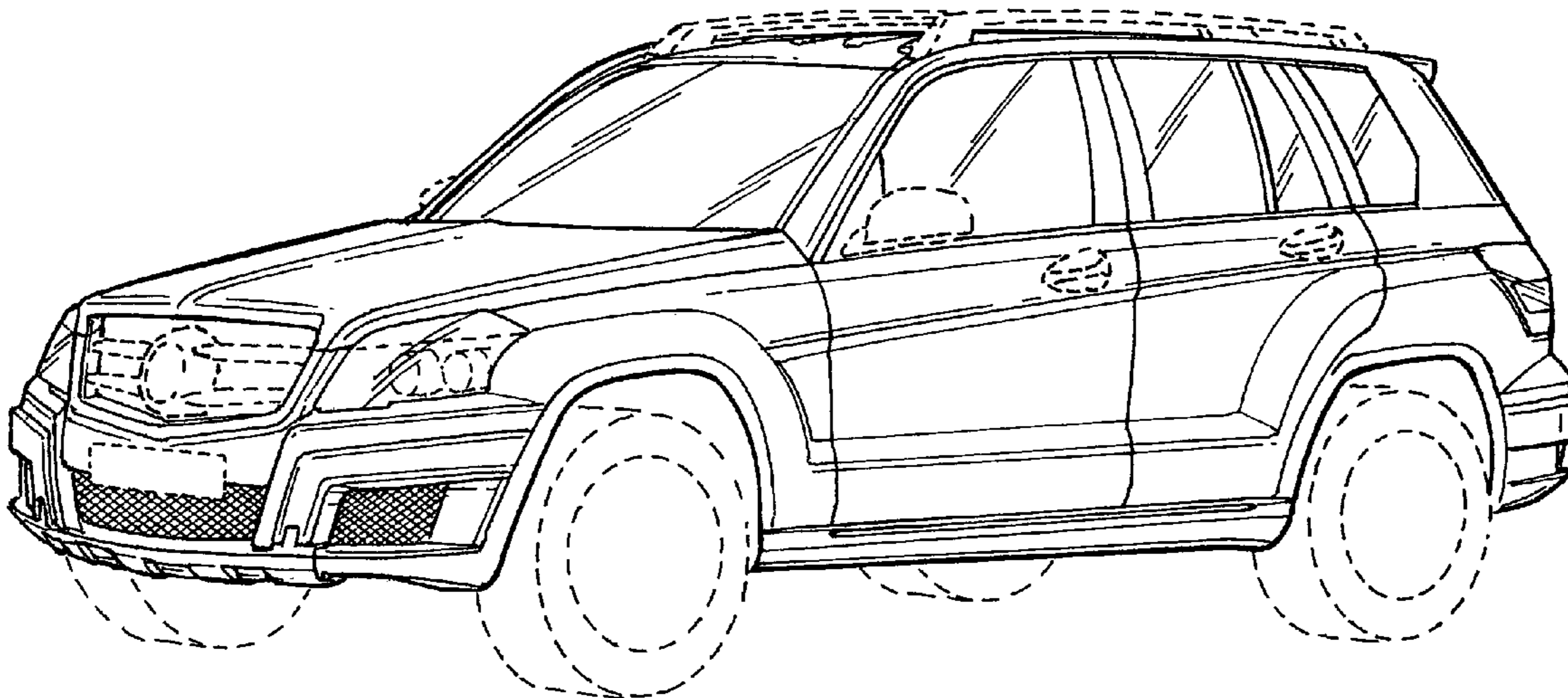
D506,706 S *	6/2005	Pfeiffer et al.	D12/91
D514,026 S *	1/2006	Pfeiffer et al.	D12/91
D540,215 S *	4/2007	Date et al.	D12/91
D544,404 S *	6/2007	Pfeiffer	D12/91
D552,511 S *	10/2007	Dekena et al.	D12/91

* cited by examiner

Primary Examiner—Melody N Brown

(74) Attorney, Agent, or Firm—Crowell & Moring LLP

1 Claim, 6 Drawing Sheets



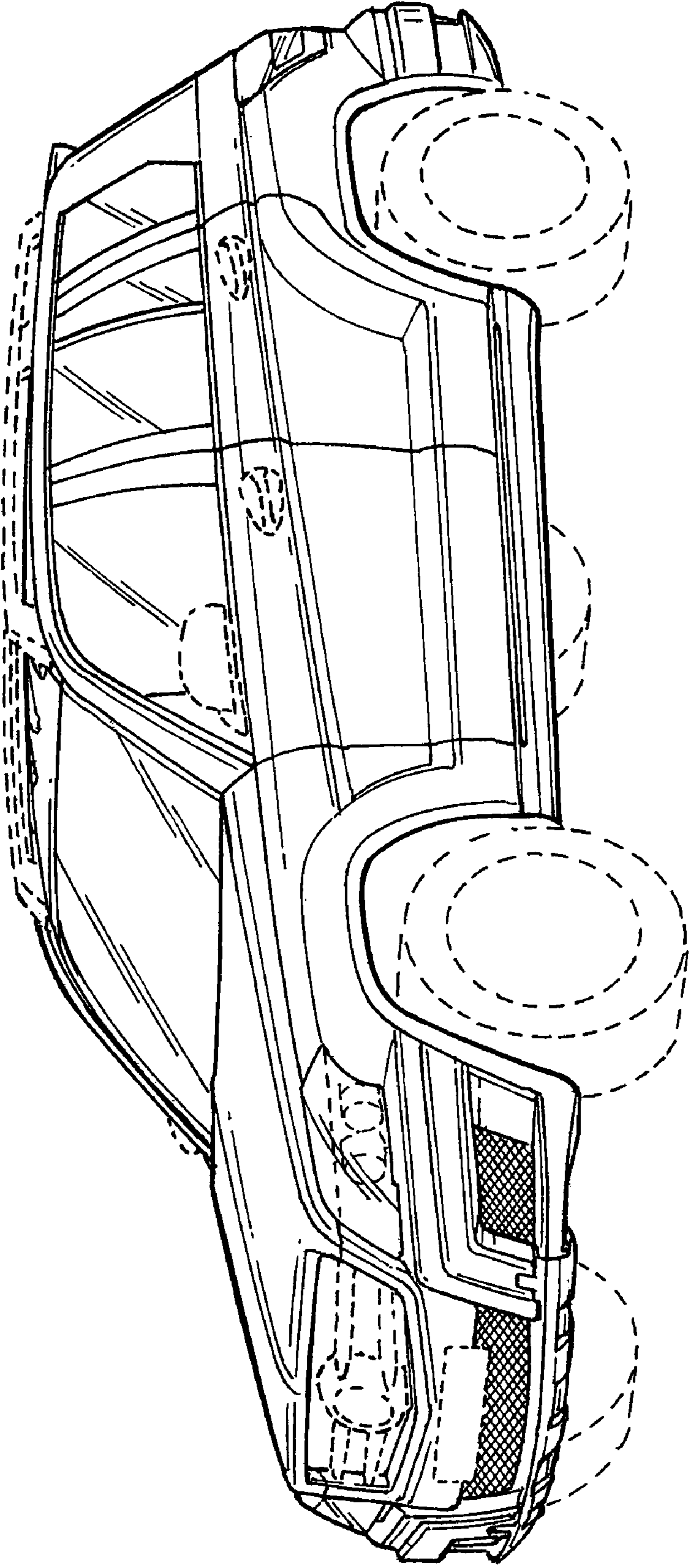


FIG. 1

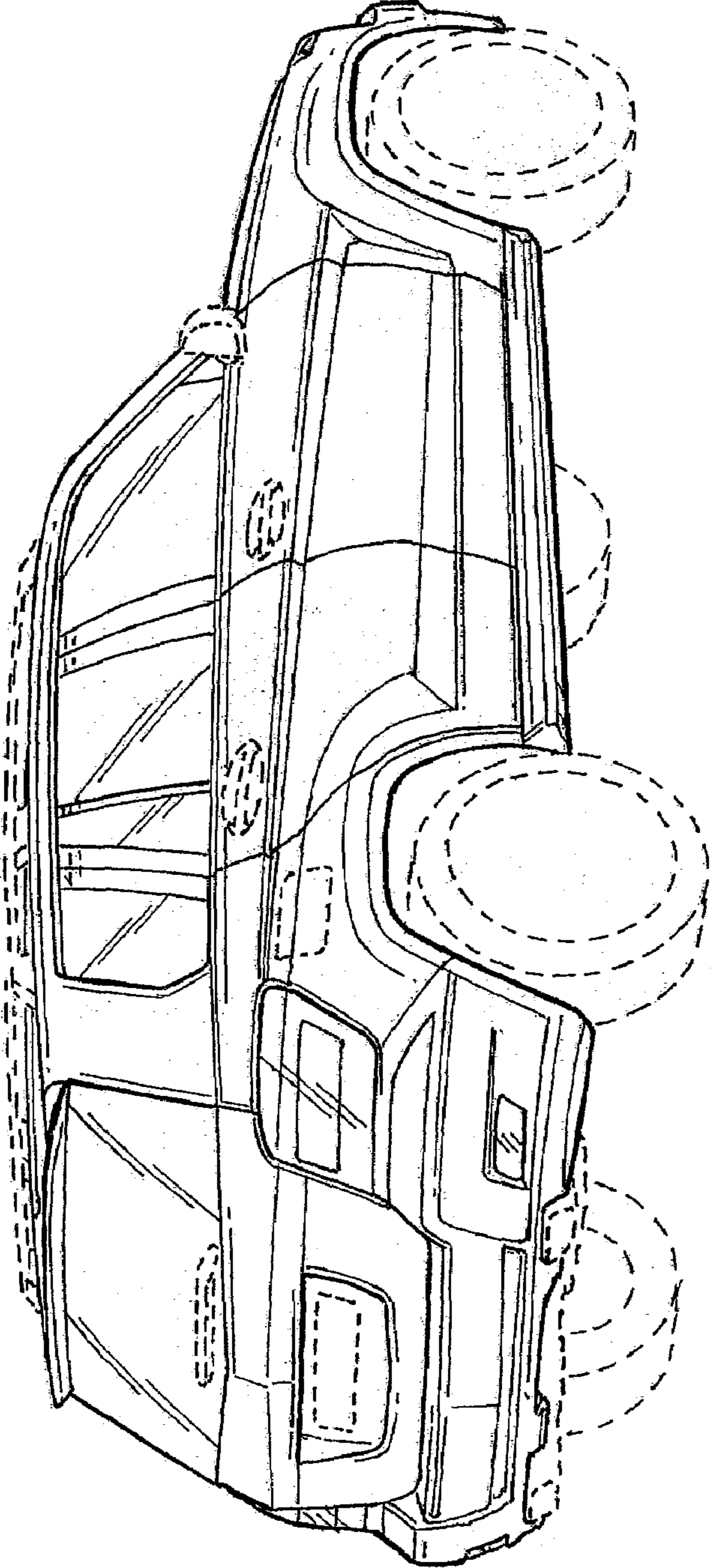


FIG. 2

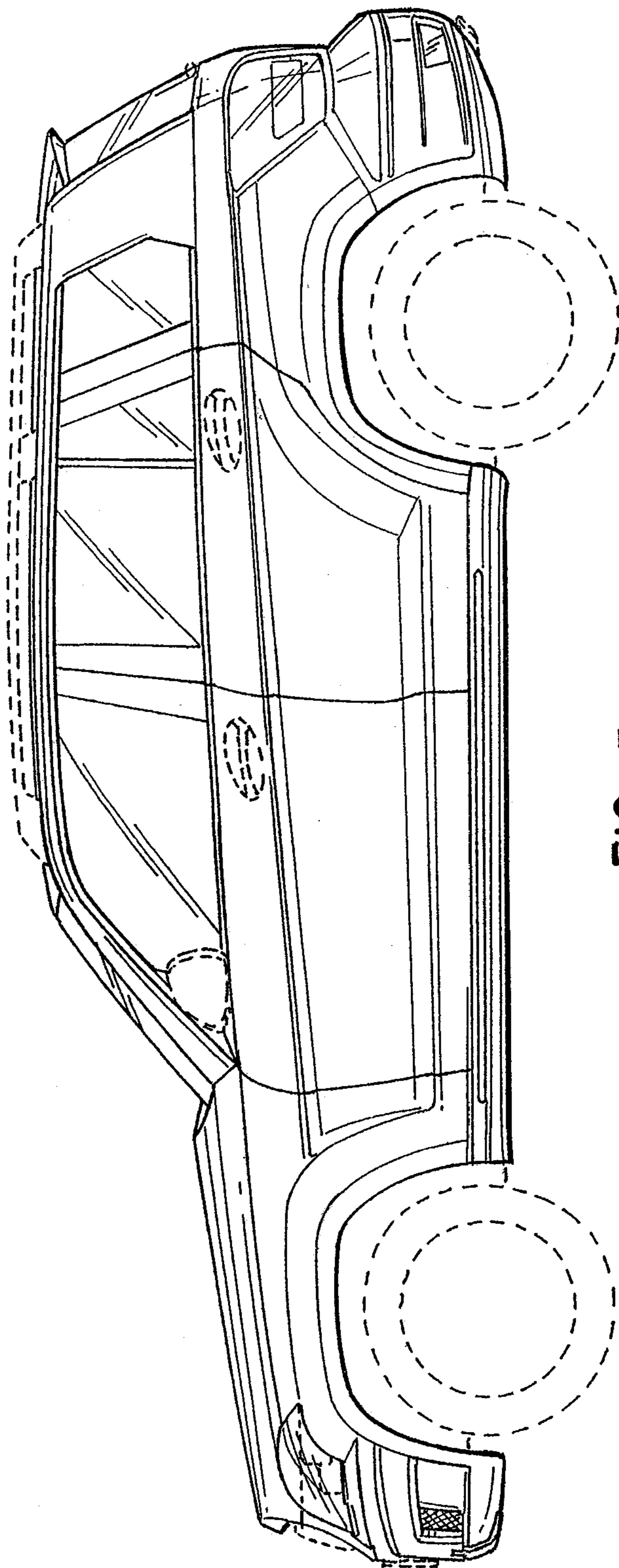


FIG. 3

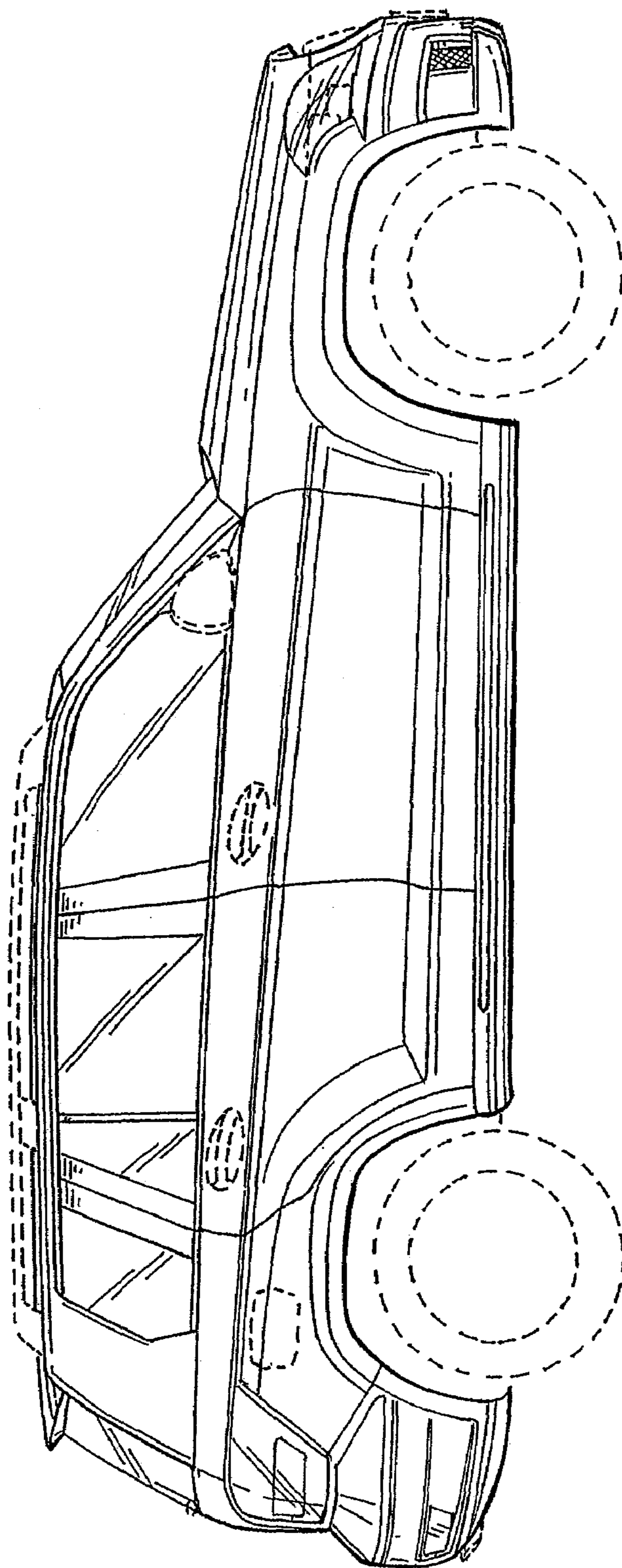


FIG. 4

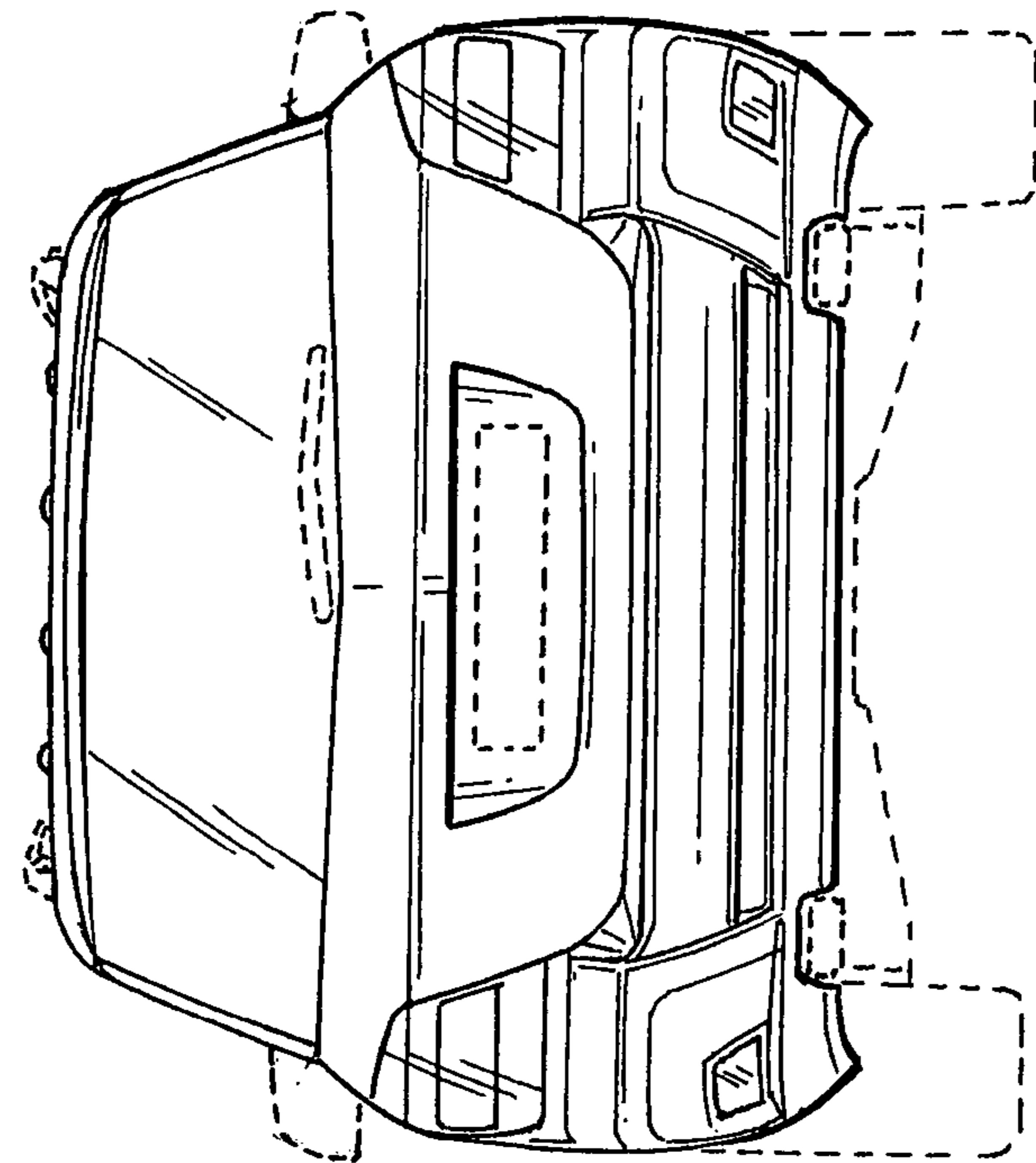


FIG. 5

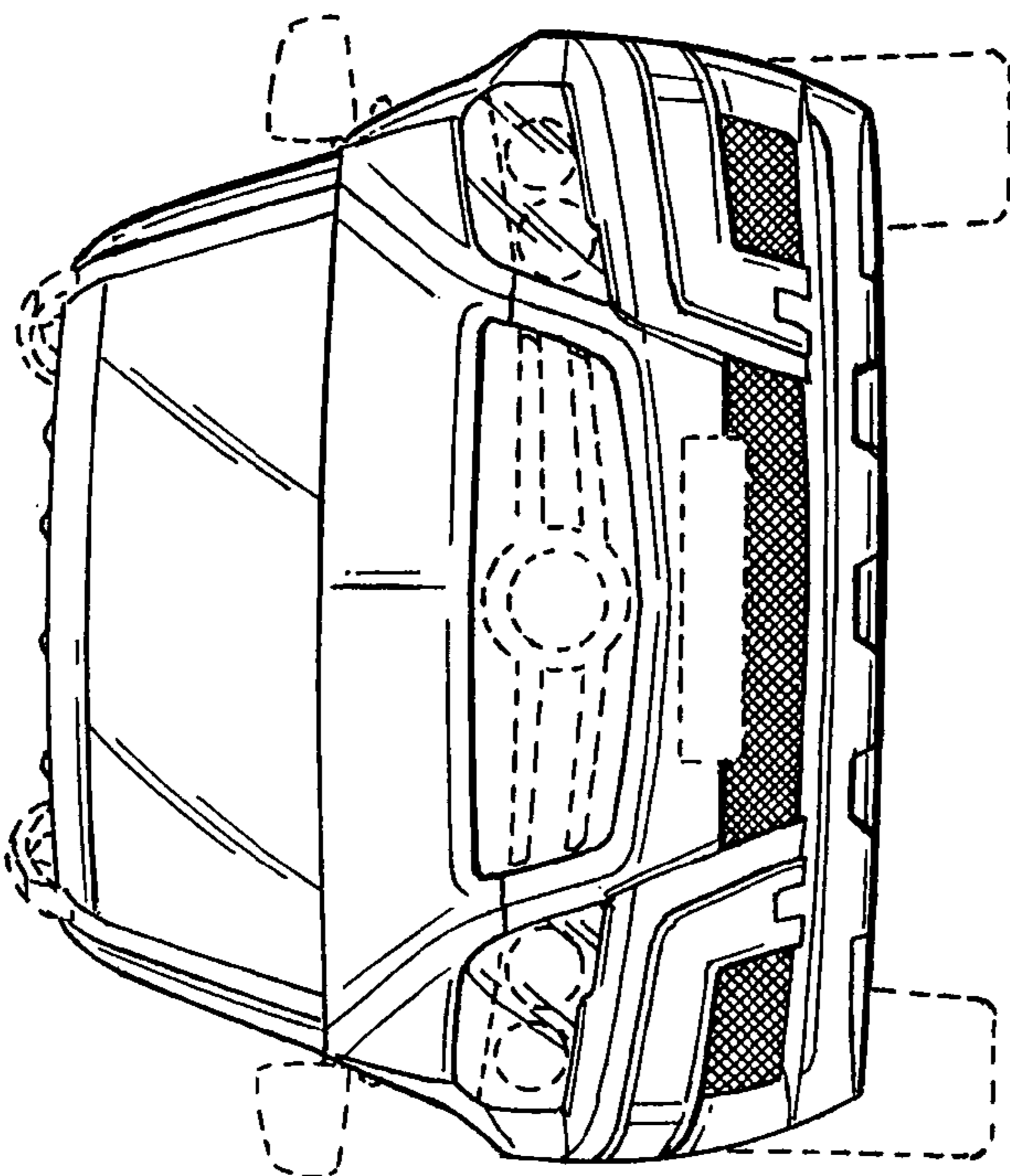


FIG. 6

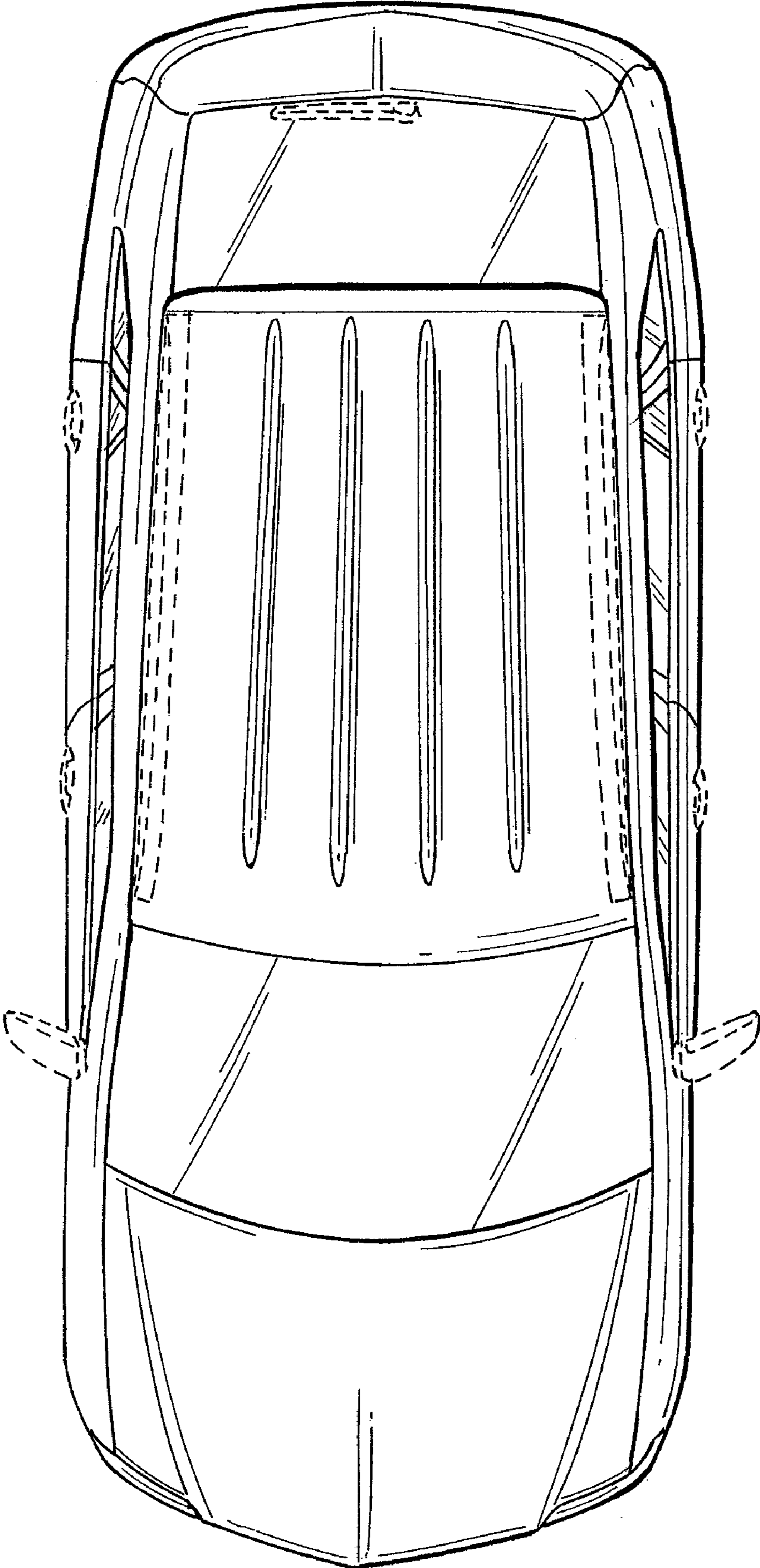


FIG. 7