



US00D575671S

(12) **United States Design Patent**
Niwa

(10) **Patent No.:** **US D575,671 S**

(45) **Date of Patent:** **** Aug. 26, 2008**

(54) **FASTENER**

(75) Inventor: **Kenji Niwa**, Aichi (JP)

(73) Assignee: **Merzen Products Inc.**, Aichi (JP)

(**) Term: **14 Years**

(21) Appl. No.: **29/265,360**

(22) Filed: **Aug. 31, 2006**

(30) **Foreign Application Priority Data**

Apr. 25, 2006 (JP) 2006-010756

(51) **LOC (8) Cl.** **02-07**

(52) **U.S. Cl.** **D11/216**

(58) **Field of Classification Search** D11/1-2,
D11/200-201, 206-210, 214-218; 24/163 R,
24/169-171, 173, 177-179, 191, 194-195,
24/197, 200

See application file for complete search history.

(56) **References Cited**

U.S. PATENT DOCUMENTS

3,165,805	A *	1/1965	Lower	24/646
3,608,158	A *	9/1971	Bengtsson	24/170
3,852,855	A *	12/1974	Bengtsson	24/265 EE
D327,455	S *	6/1992	Blair	D11/216
D390,161	S *	2/1998	Coll	D11/218
D453,125	S *	1/2002	Citton	D11/216
6,401,310	B1 *	6/2002	Warner et al.	24/179
D508,872	S *	8/2005	Hoepfner	D11/216

FOREIGN PATENT DOCUMENTS

JP	2000-000106	A	1/2000
JP	1147218	S	7/2002
JP	1178422	S	7/2003

* cited by examiner

Primary Examiner—R. Seifert

(74) *Attorney, Agent, or Firm*—Rader, Fishman & Grauer, PLLC

(57) **CLAIM**

The ornamental design for a fastener, as shown and described.

DESCRIPTION

FIG. 1 is a front left top perspective view of a fastener showing my new design;

FIG. 2 is a rear right bottom perspective view thereof;

FIG. 3 is a front elevational view thereof;

FIG. 4 is a top plan view thereof;

FIG. 5 is a right side elevational view thereof;

FIG. 6 is a left side elevational view thereof;

FIG. 7 is a rear elevational view thereof;

FIG. 8 is a bottom plan view thereof;

FIG. 9 is a cross-sectional view thereof, taken along a line 9—9 of FIG. 4;

FIG. 10 is a cross-sectional view thereof, taken along a line 10—10 of FIG. 3;

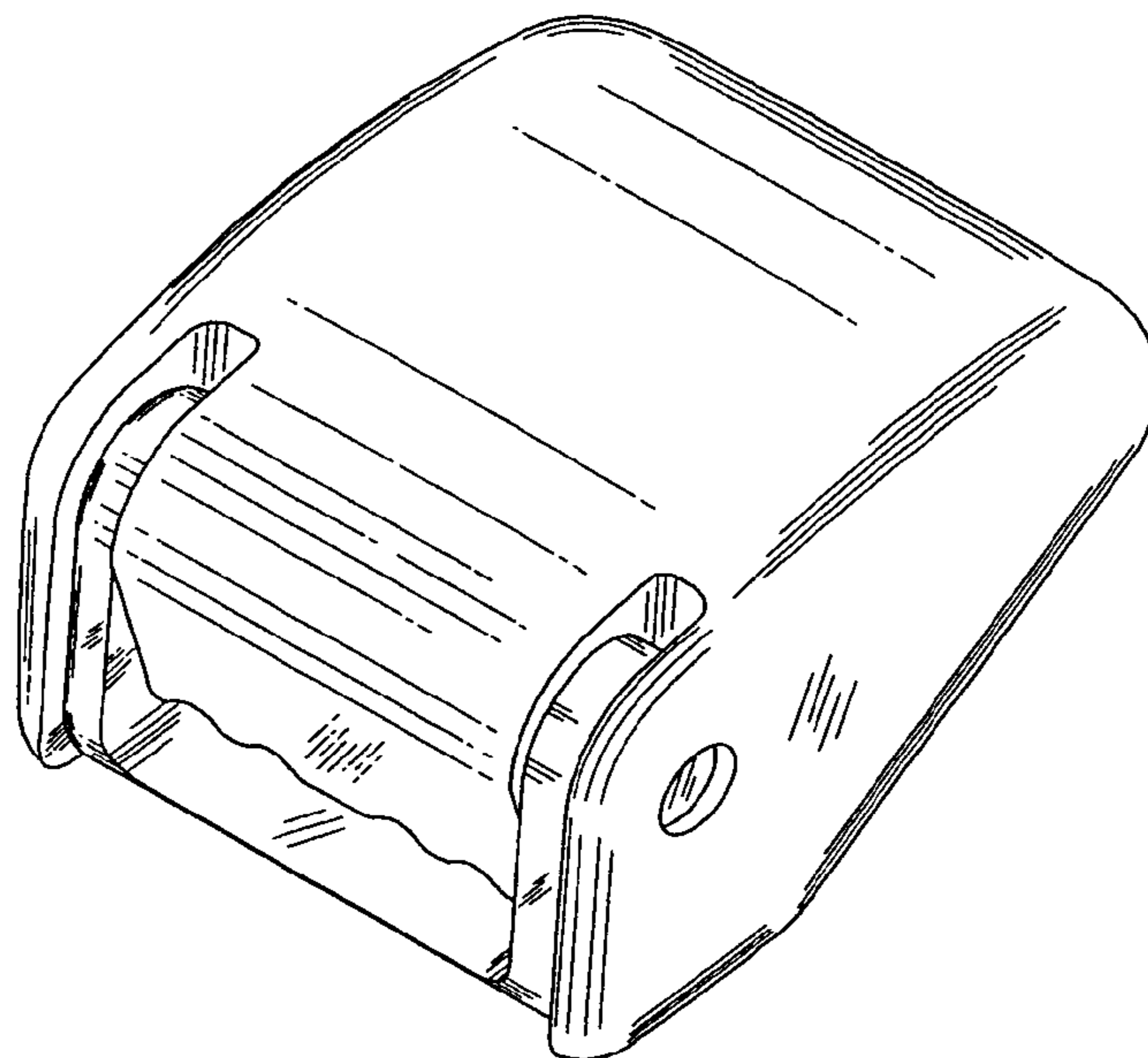
FIG. 11 is a cross-sectional view thereof, taken along a line 11—11 of FIG. 3;

FIG. 12 is a front elevational view thereof in the open position;

FIG. 13 is a top plan view thereof in the open position; and,

FIG. 14 is a cross-sectional view thereof, taken along a line 14—14 of FIG. 13.

1 Claim, 14 Drawing Sheets



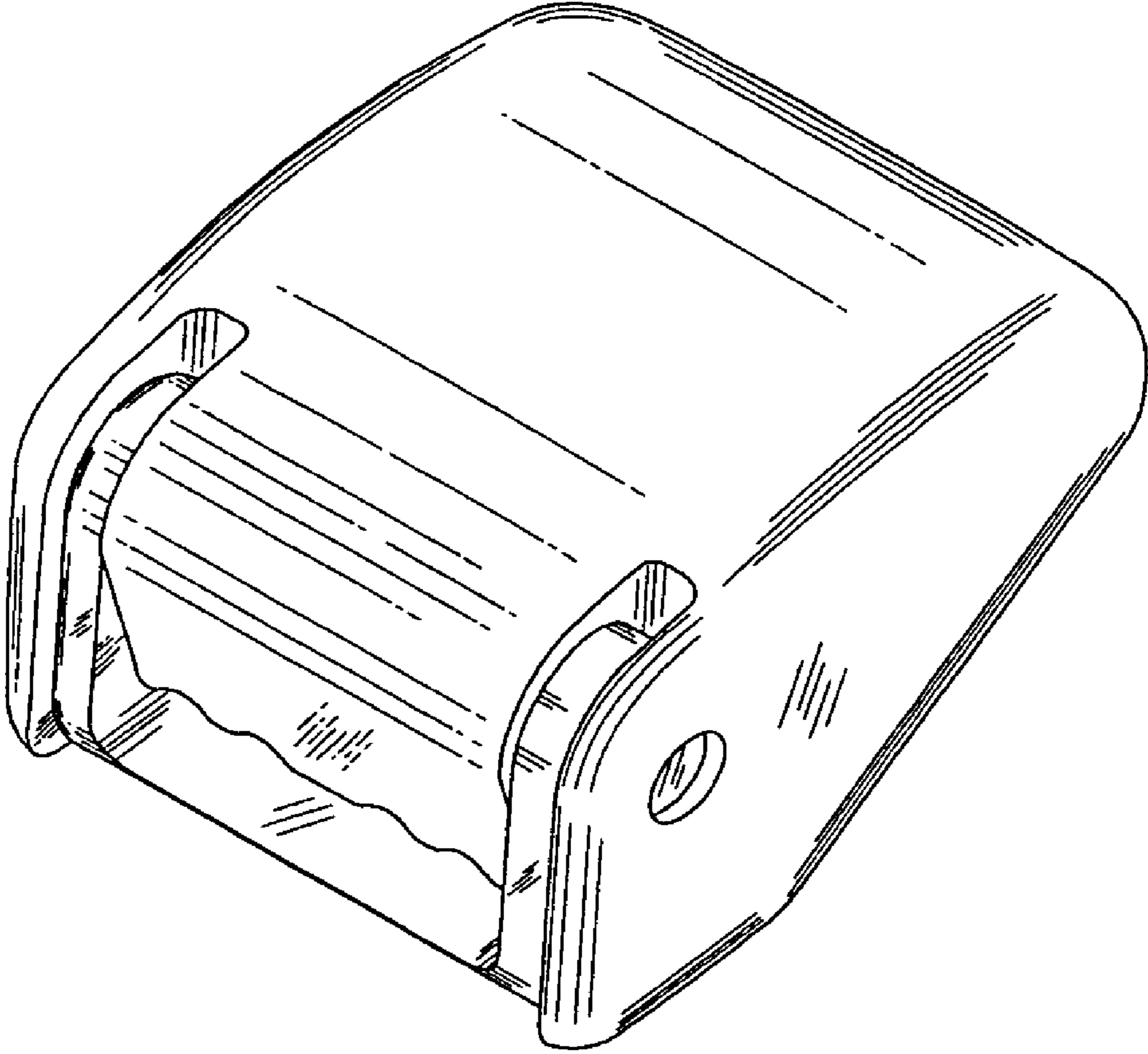


FIG. 1

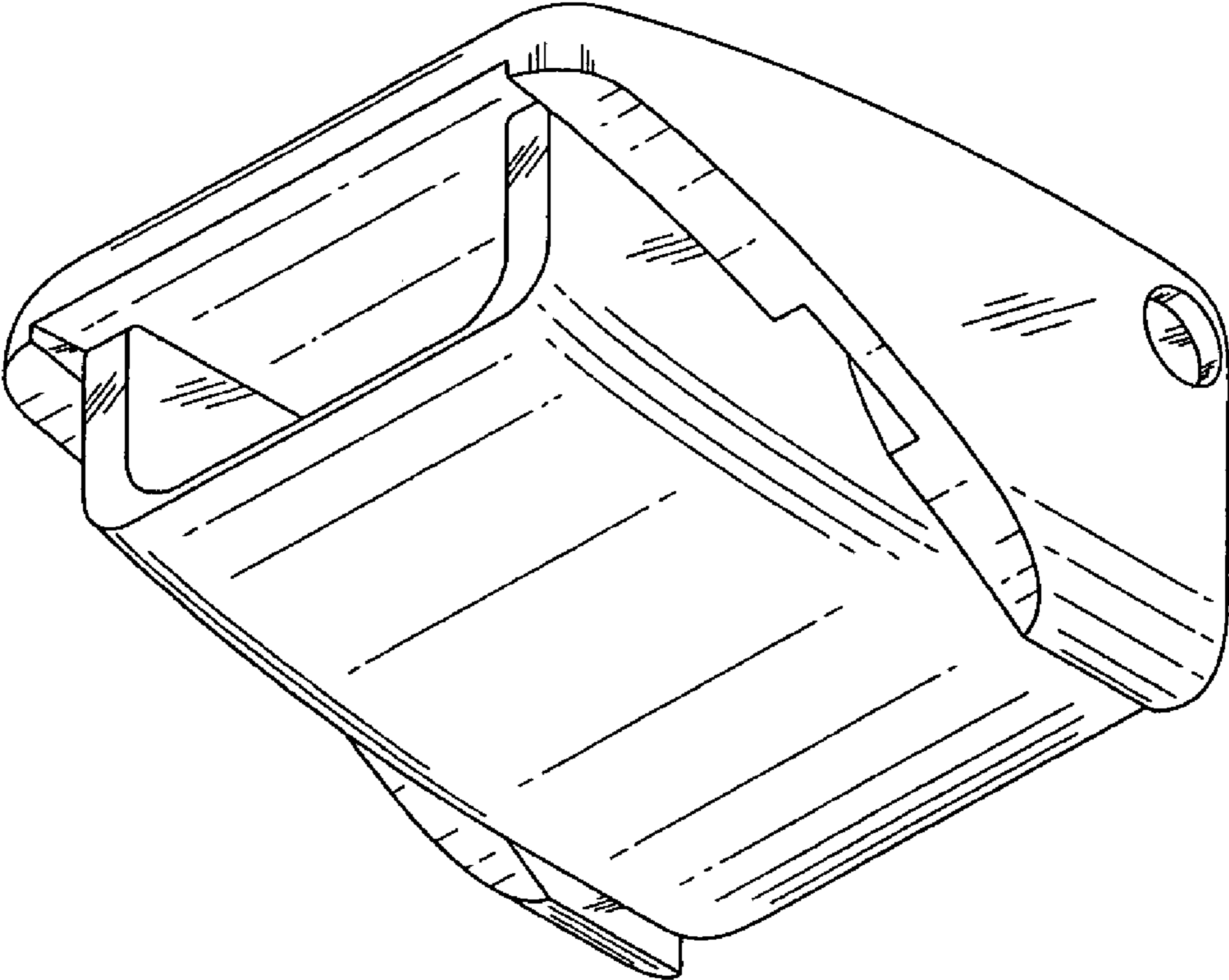


FIG.2

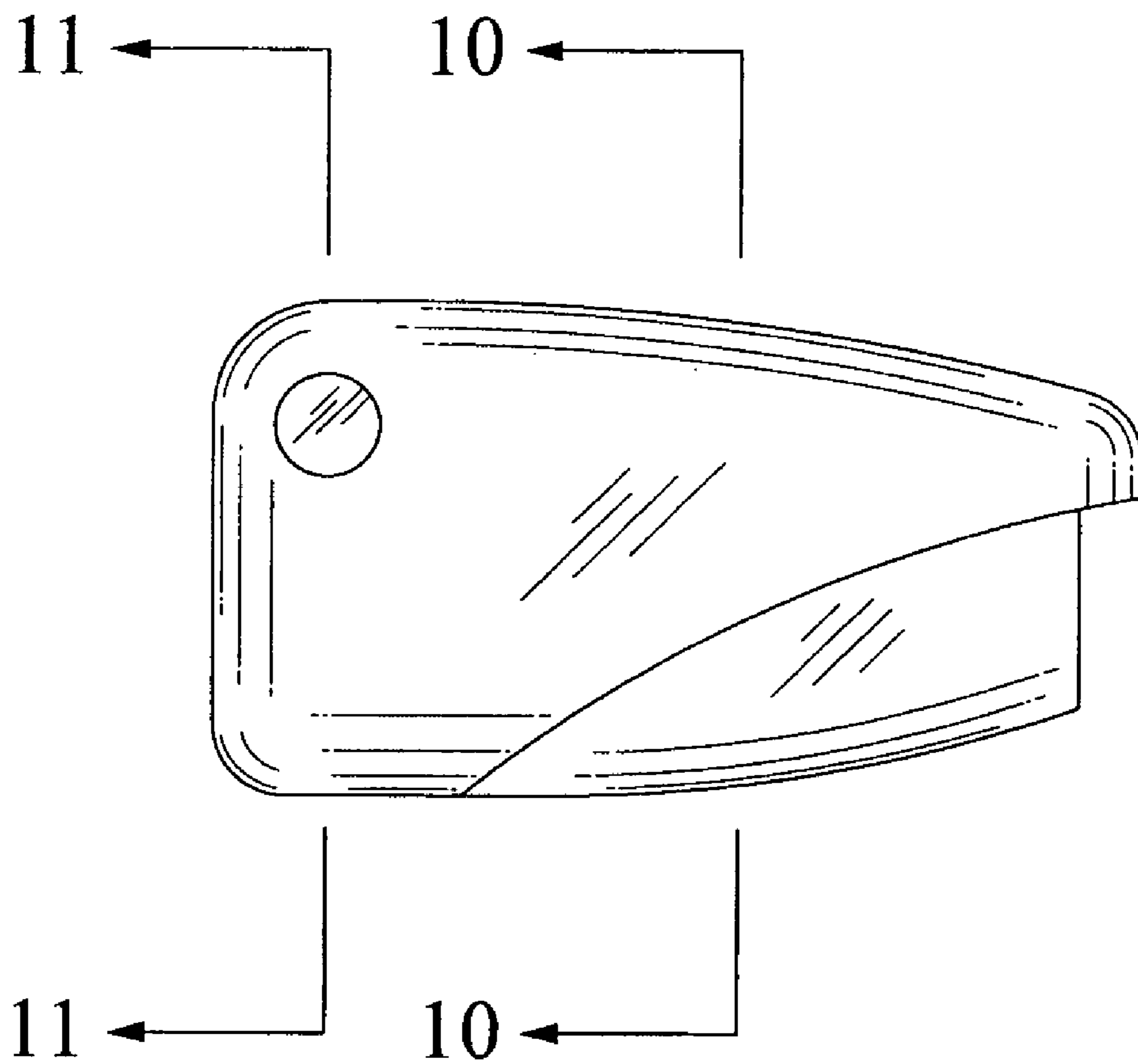


FIG.3

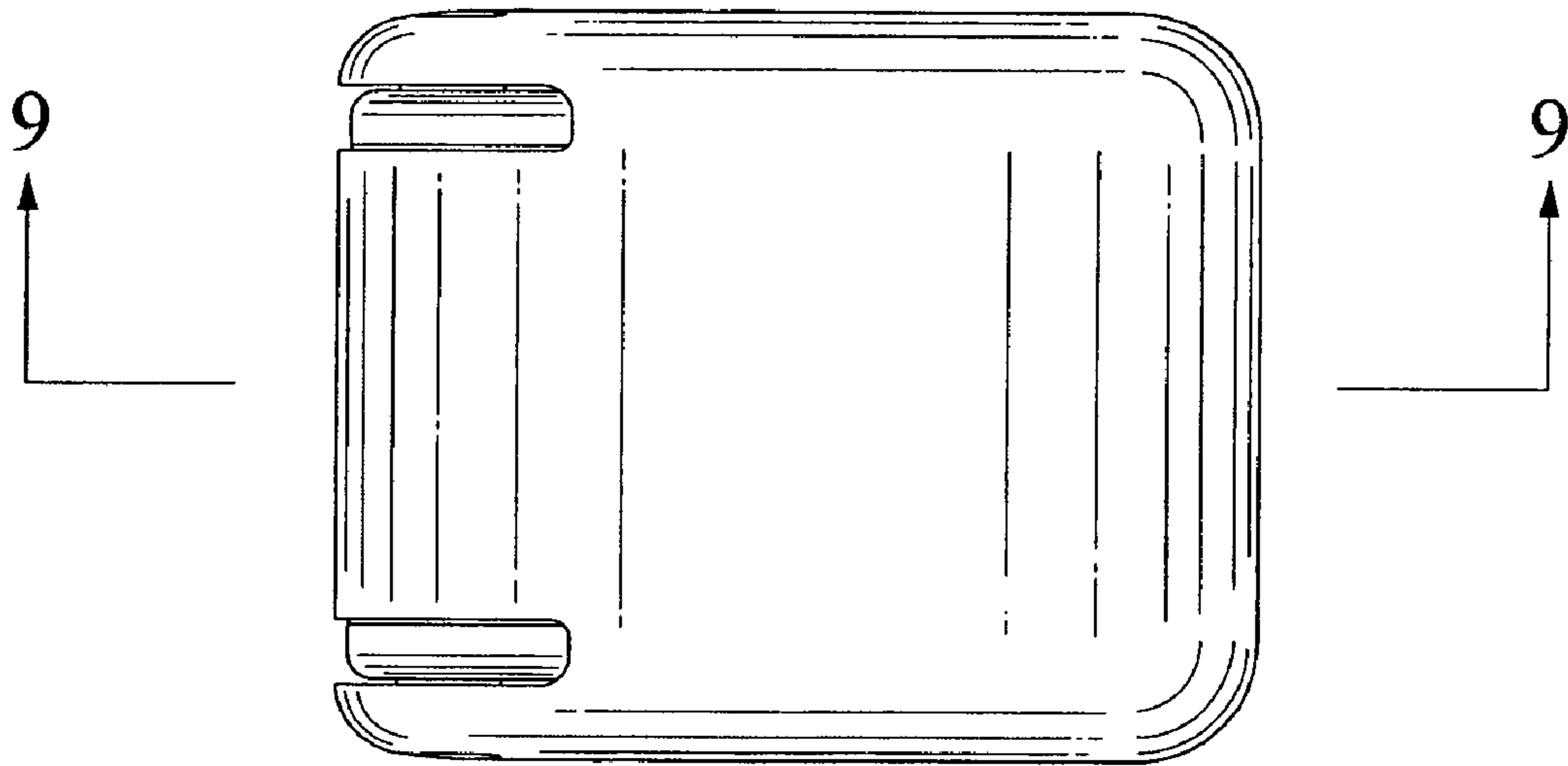


FIG.4

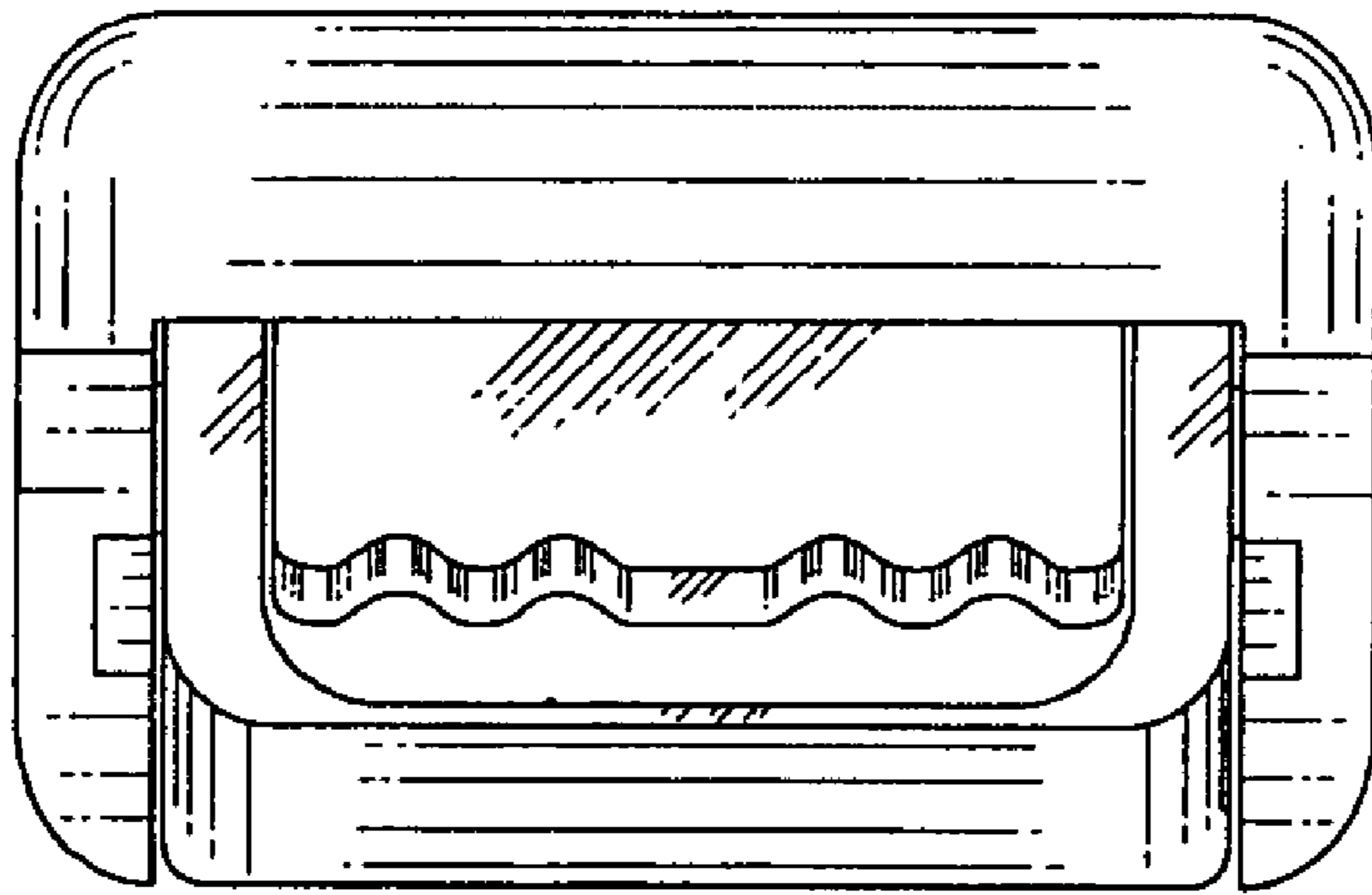


FIG.5

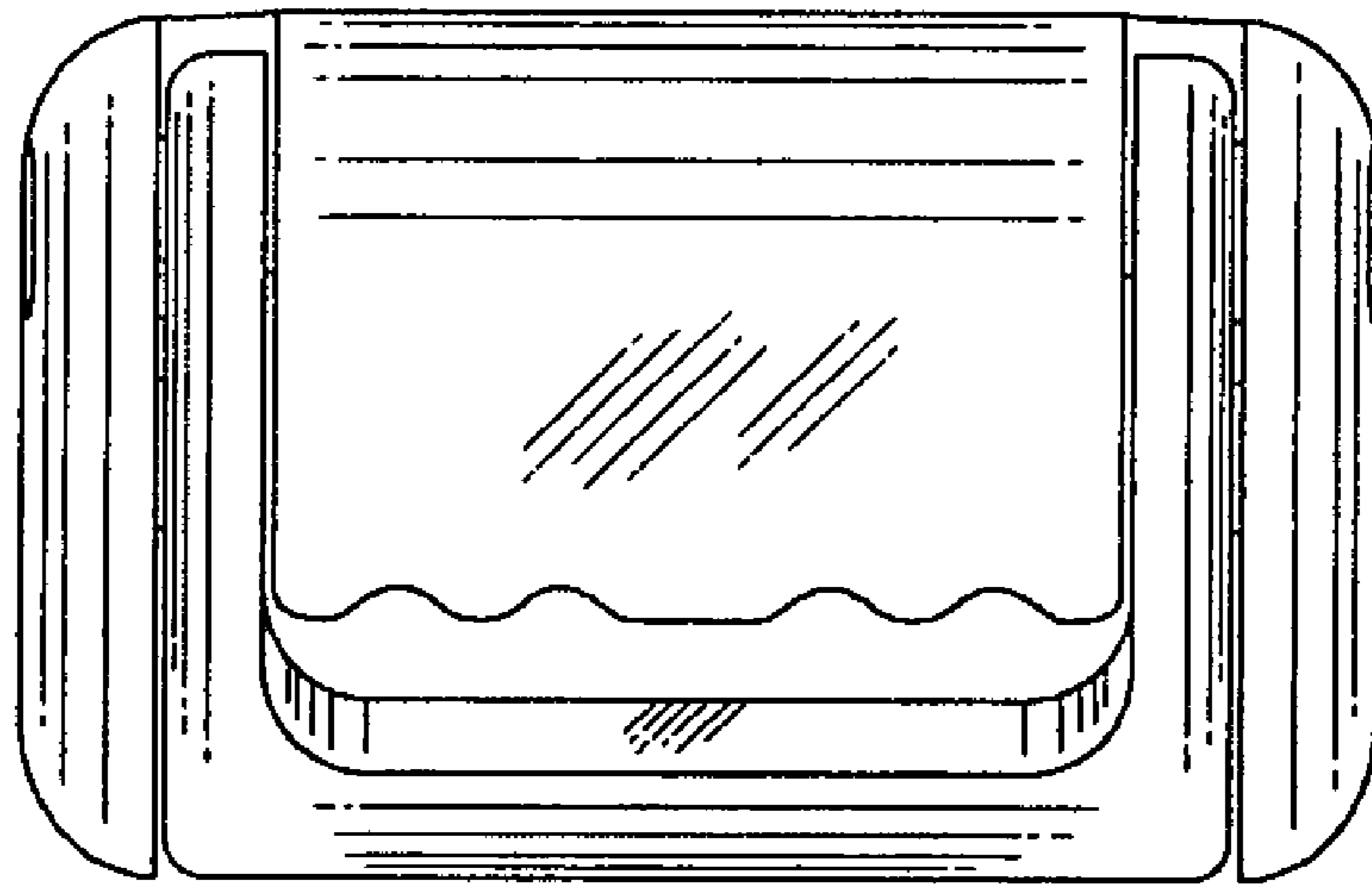


FIG.6

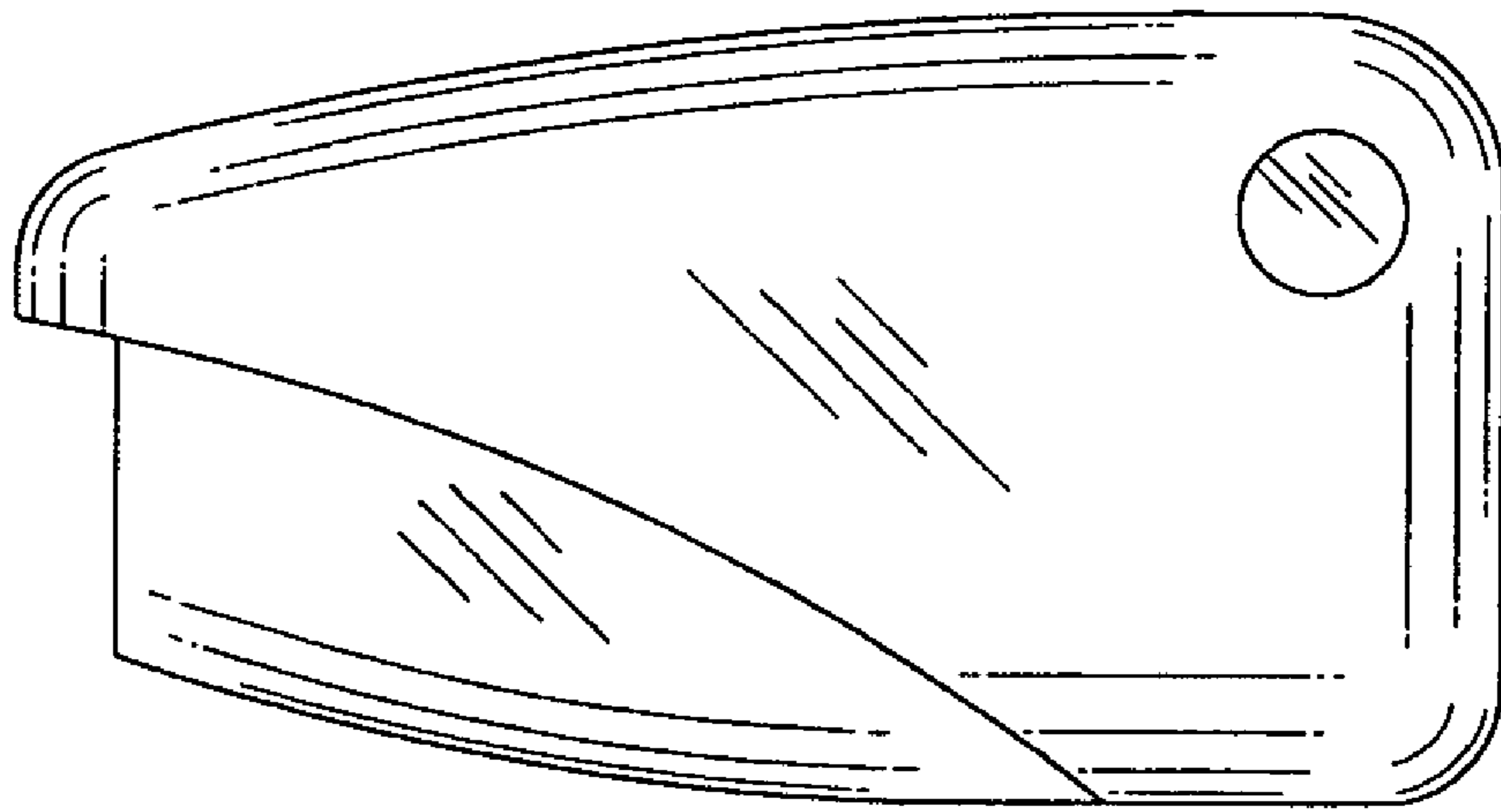


FIG. 7

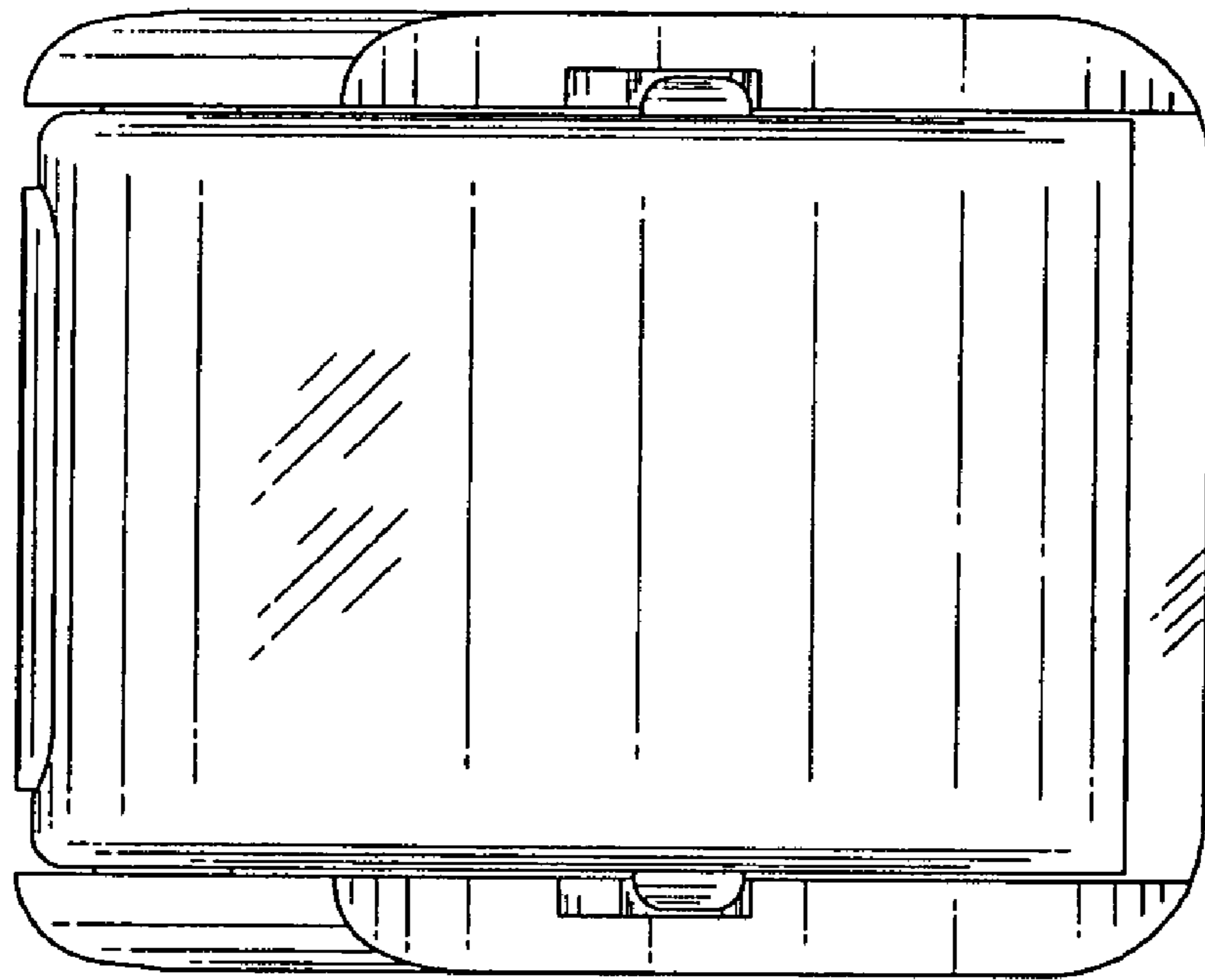


FIG.8

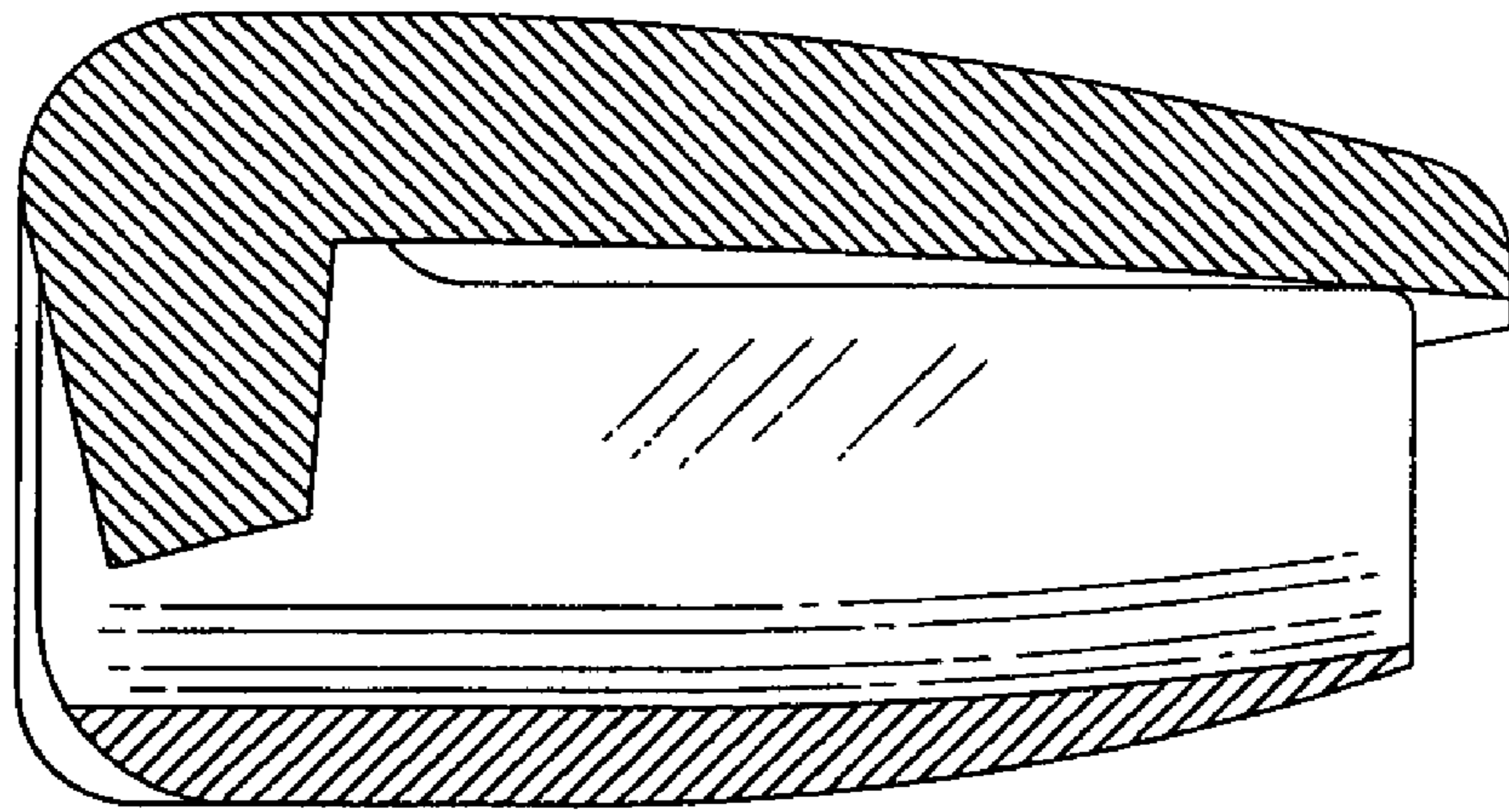


FIG.9

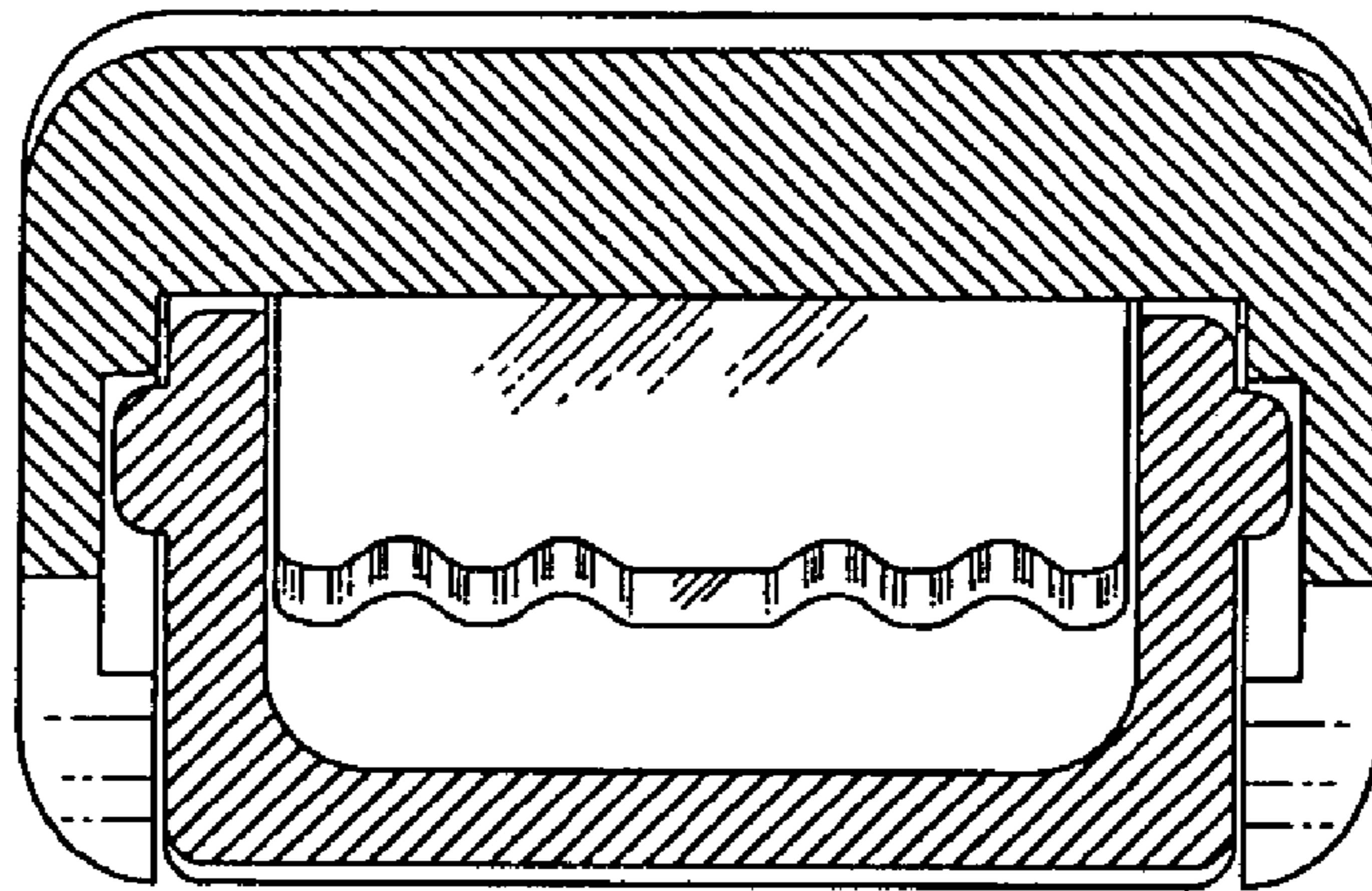


FIG. 10

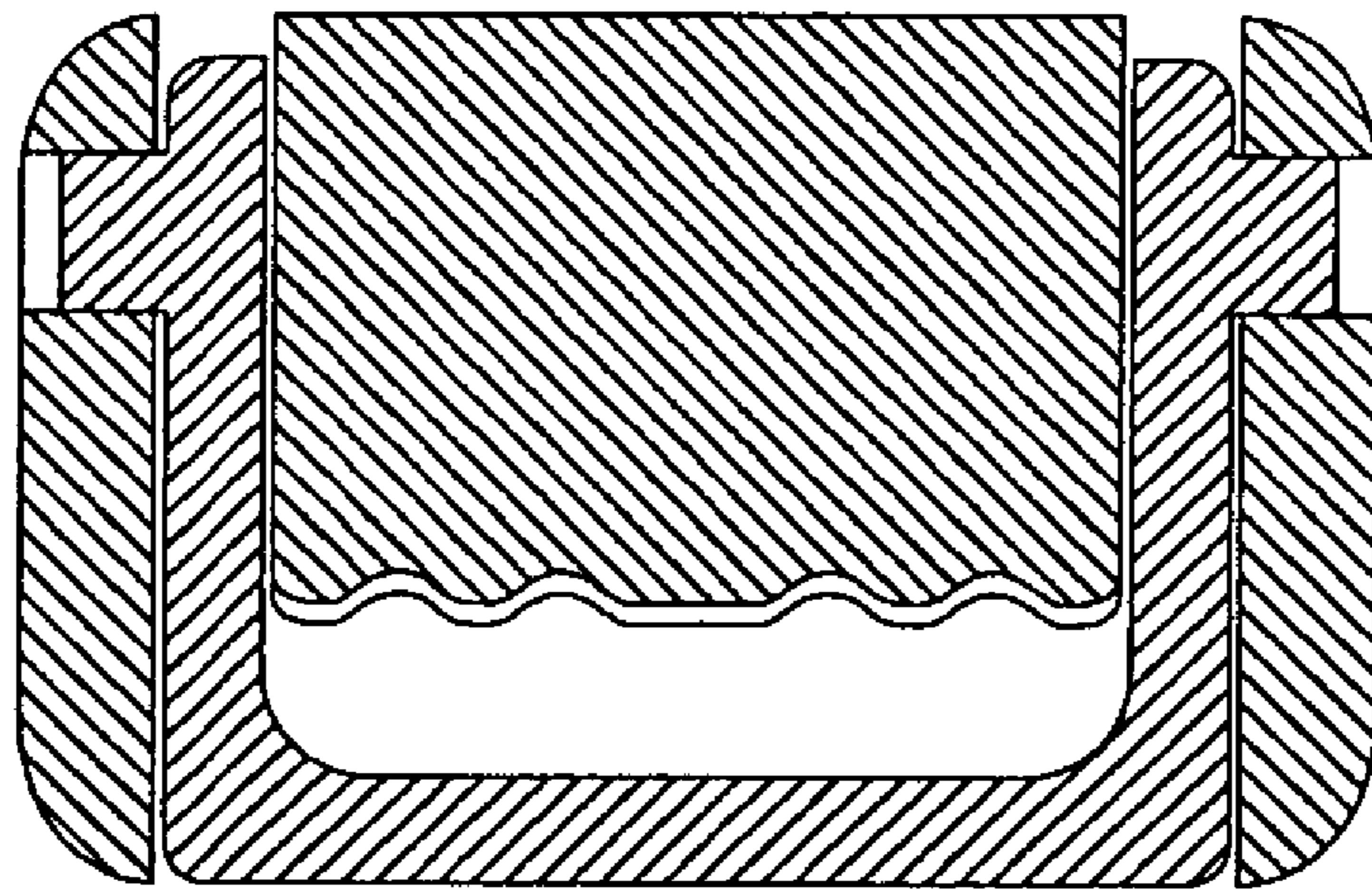


FIG. 11

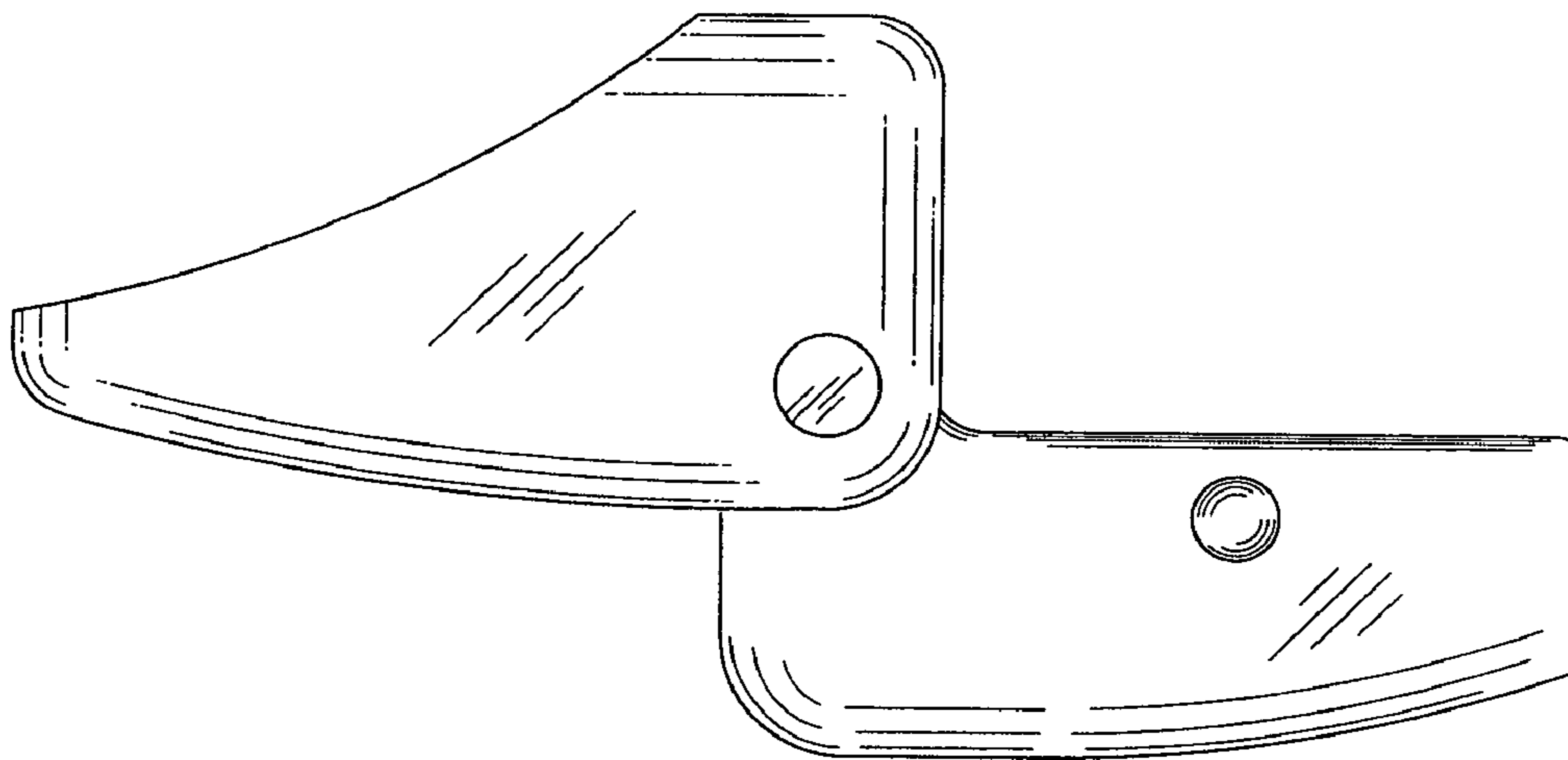


FIG.12

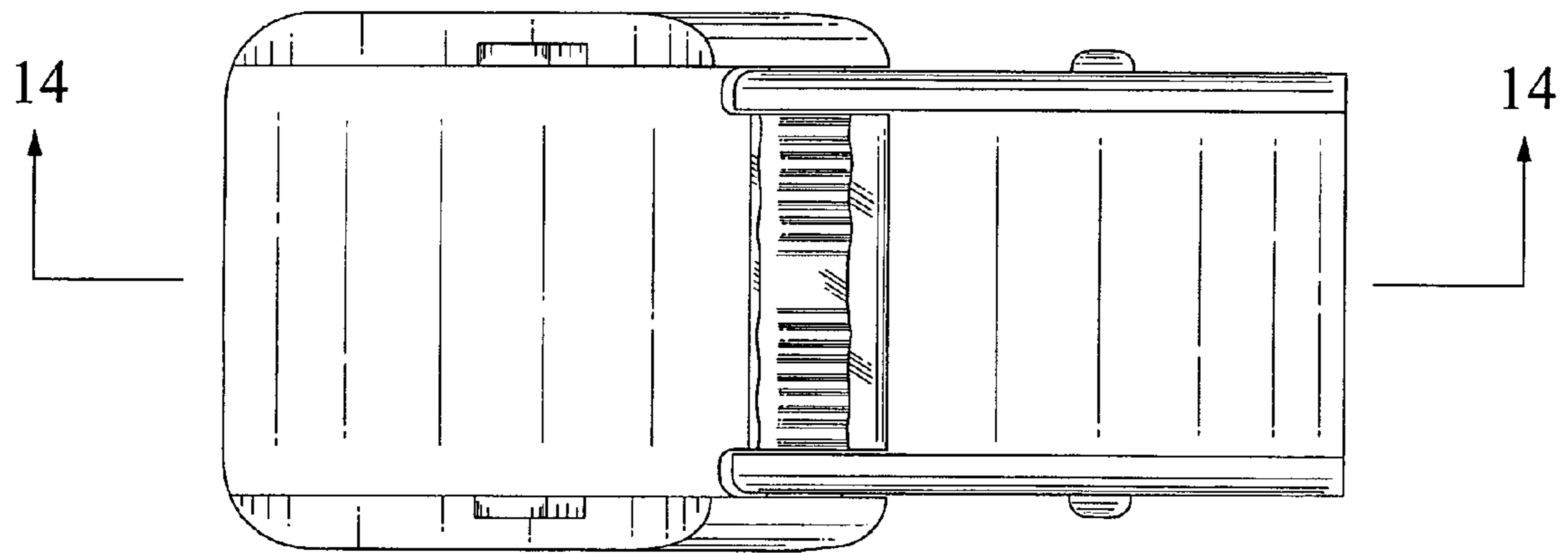


FIG.13

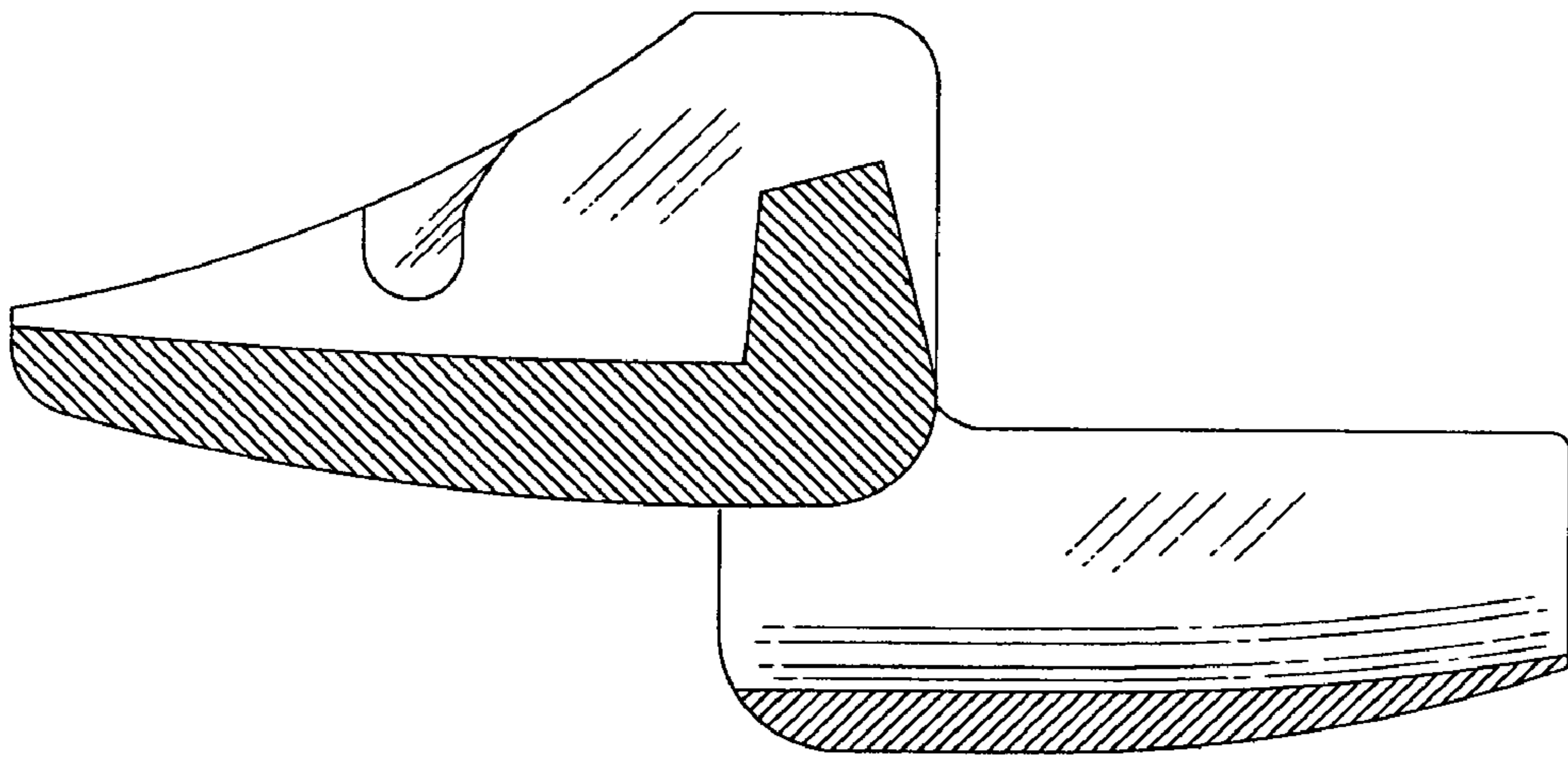


FIG.14