

US00D575670S

(12) **United States Design Patent**
Niwa

(10) **Patent No.:** **US D575,670 S**
(45) **Date of Patent:** **** Aug. 26, 2008**

(54) **BUCKLE**
(75) Inventor: **Kenji Niwa**, Aichi (JP)
(73) Assignee: **Merzen Products Co., Ltd.**, Aichi (JP)
(**) Term: **14 Years**
(21) Appl. No.: **29/265,359**
(22) Filed: **Aug. 31, 2006**

JP 1147218 S 7/2005

* cited by examiner

Primary Examiner—R. Seifert
(74) *Attorney, Agent, or Firm*—Rader, Fishman & Grauer, PLLC

(30) **Foreign Application Priority Data**
Mar. 2, 2006 (JP) 2006-005323
(51) **LOC (8) Cl.** **02-07**
(52) **U.S. Cl.** **D11/216**
(58) **Field of Classification Search** D11/200–201,
D11/206–210, 214–216, 218; 24/163 R,
24/169–171, 173, 177–179, 191, 194, 195,
24/200, 197
See application file for complete search history.

(57) **CLAIM**

The ornamental design for a buckle, as shown and described.

DESCRIPTION

FIG. 1 is a perspective view of a buckle showing my new design;

FIG. 2 is a front elevational view thereof;

FIG. 3 is a top plan view thereof;

FIG. 4 is a right side elevational view thereof;

FIG. 5 is a left side elevational view thereof;

FIG. 6 is a rear elevational view thereof;

FIG. 7 is a bottom plan view thereof;

FIG. 8 is a cross-sectional view thereof, taken along a line 8—8 of FIG. 3;

FIG. 9 is a perspective view thereof, wherein a male and female members of the buckle are separated;

FIG. 10 is a top plan view thereof; and,

FIG. 11 is a cross sectional view thereof, taken along a line 11—11 of FIG. 10.

The even broken line showings of a buckle of FIGS. 1–11 are for illustrative purpose only and form no part of the claimed design. The dot-dash broken lines of FIGS. 1–3, 6, 7, 9 and 10 define but are not included in, the boundaries of the claimed design.

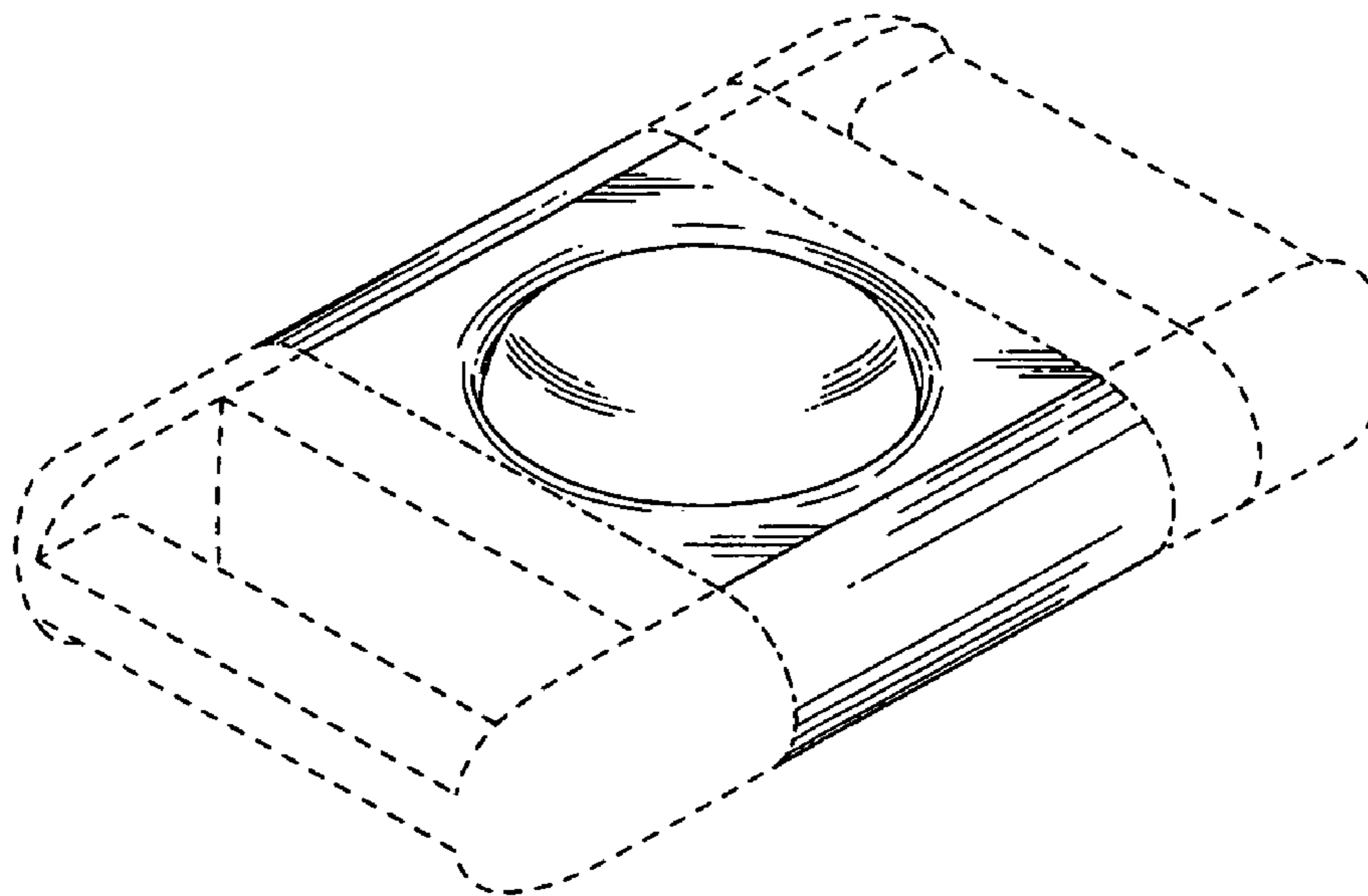
(56) **References Cited**
U.S. PATENT DOCUMENTS

D108,476 S	*	2/1938	Freysiinger	D11/200
D287,187 S	*	12/1986	Olson	D11/218
D296,310 S	*	6/1988	Crowle	D11/216
D307,730 S	*	5/1990	Foster	D11/200
D329,210 S	*	9/1992	Cullmann	D11/216
D335,476 S	*	5/1993	Stathis	D11/216
D352,680 S	*	11/1994	Matoba	D11/216
D359,709 S	*	6/1995	Miller	D11/216
D400,474 S	*	11/1998	Chou	D11/216

FOREIGN PATENT DOCUMENTS

JP	2000-000106 A	1/2000
JP	1178422 S	7/2003

1 Claim, 11 Drawing Sheets



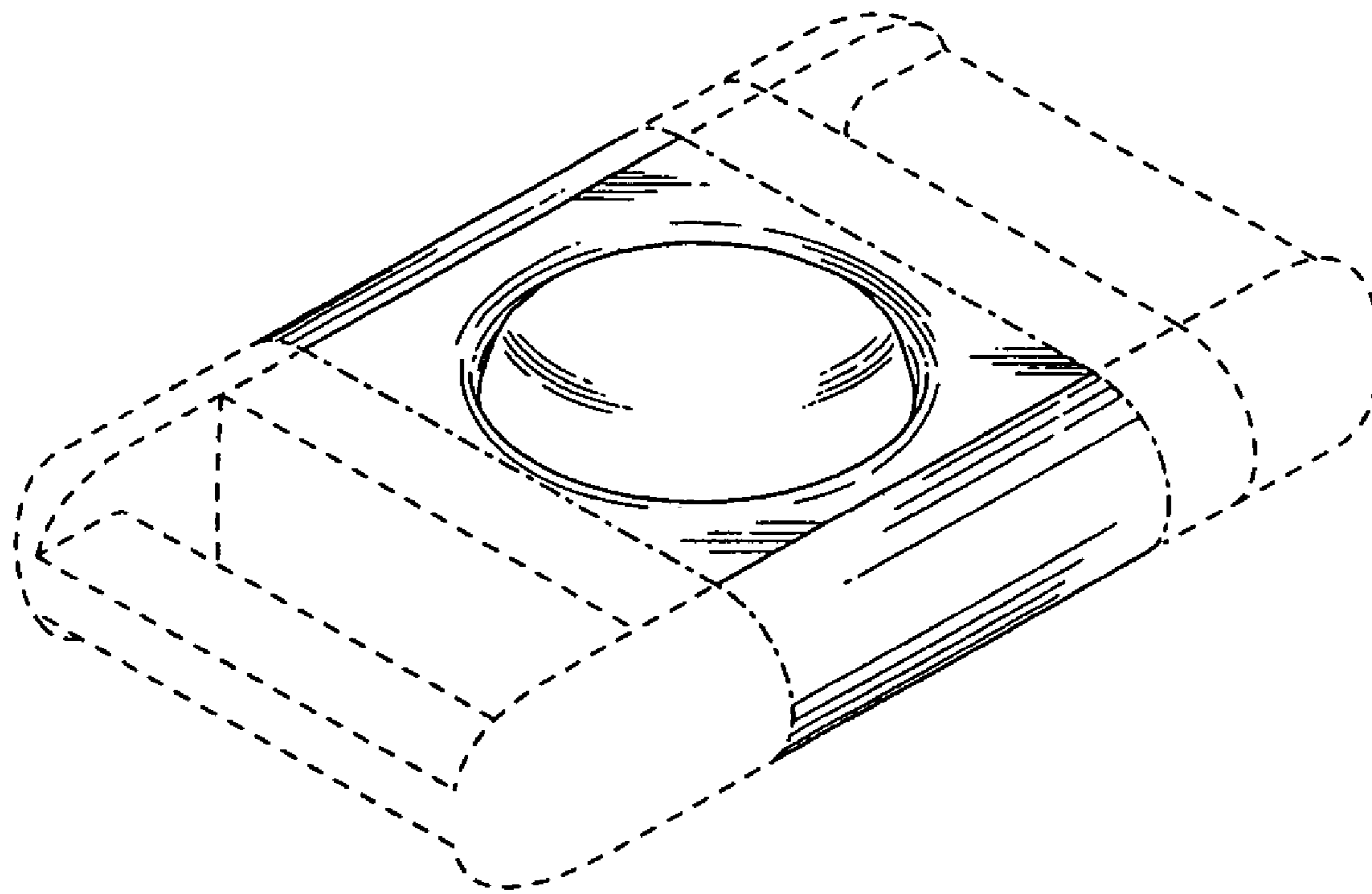


FIG.1

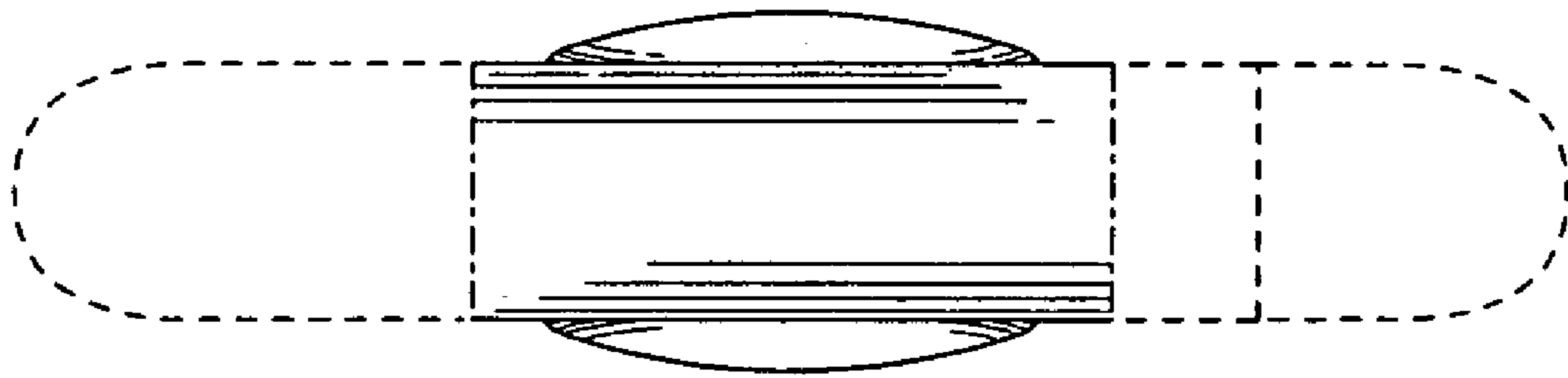


FIG.2

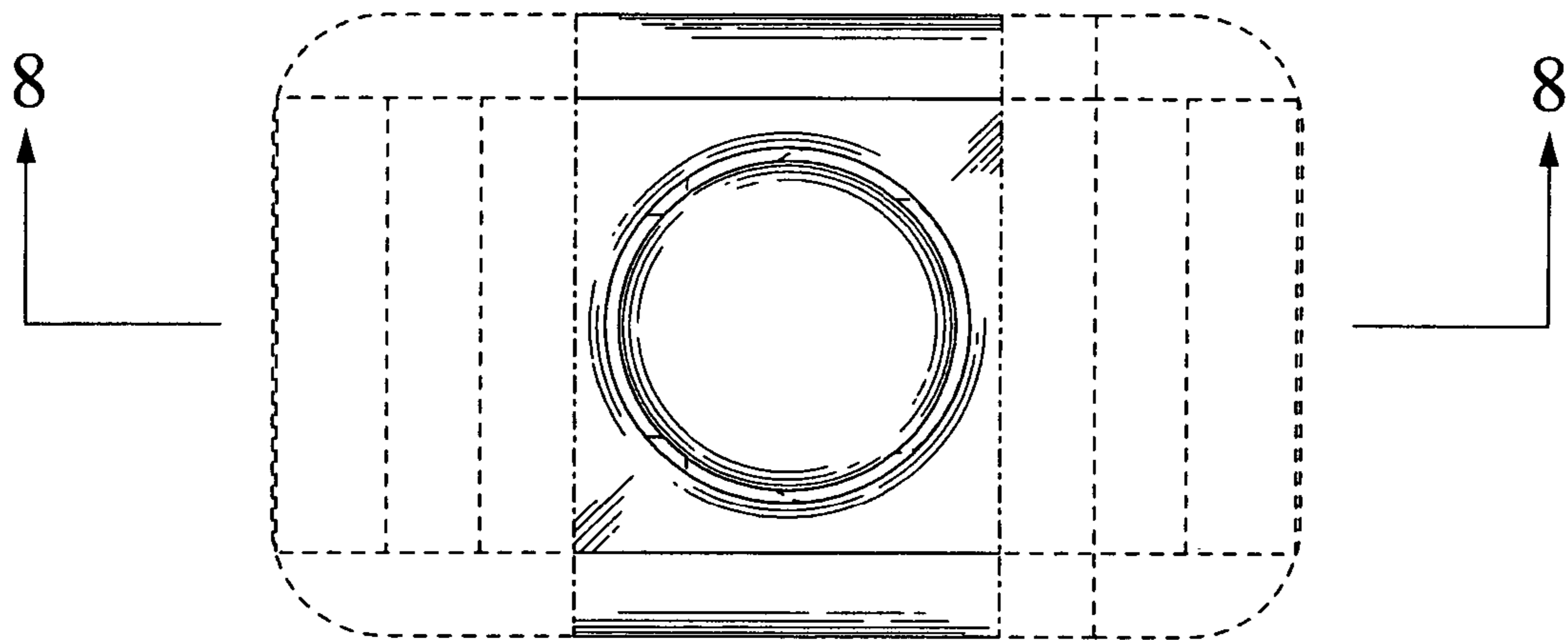


FIG.3

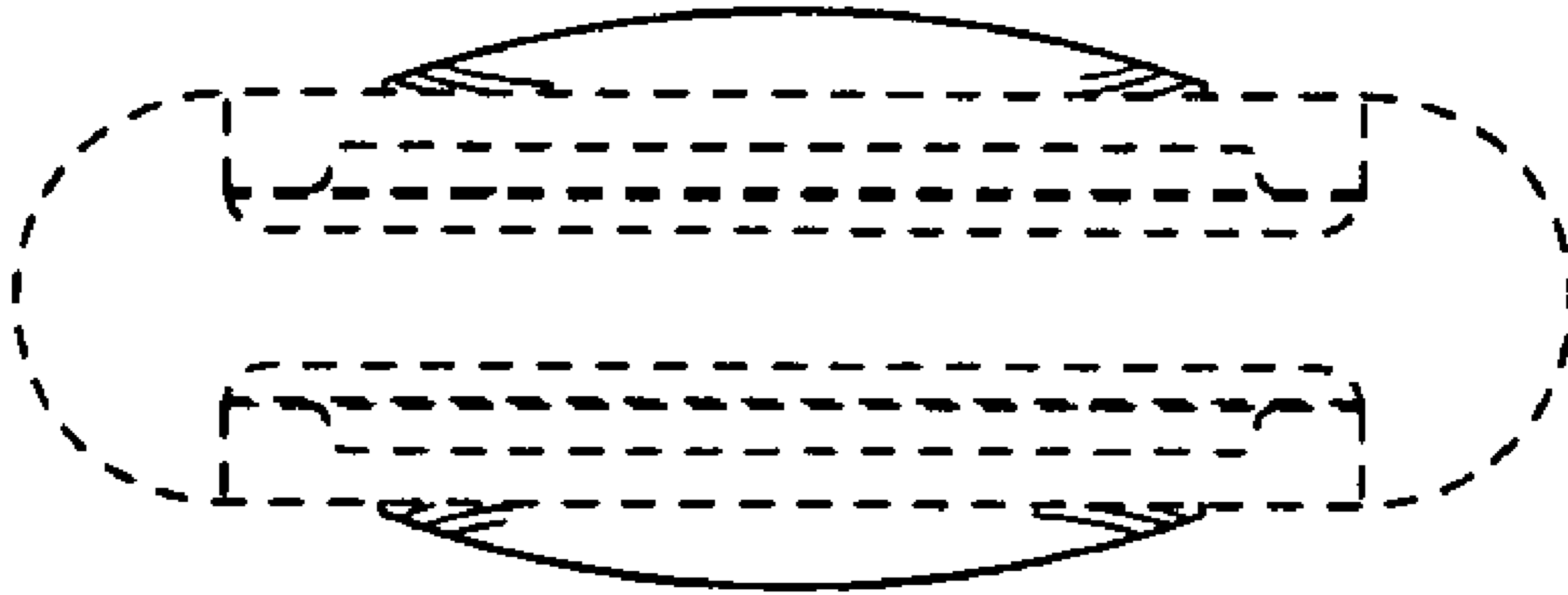


FIG.4

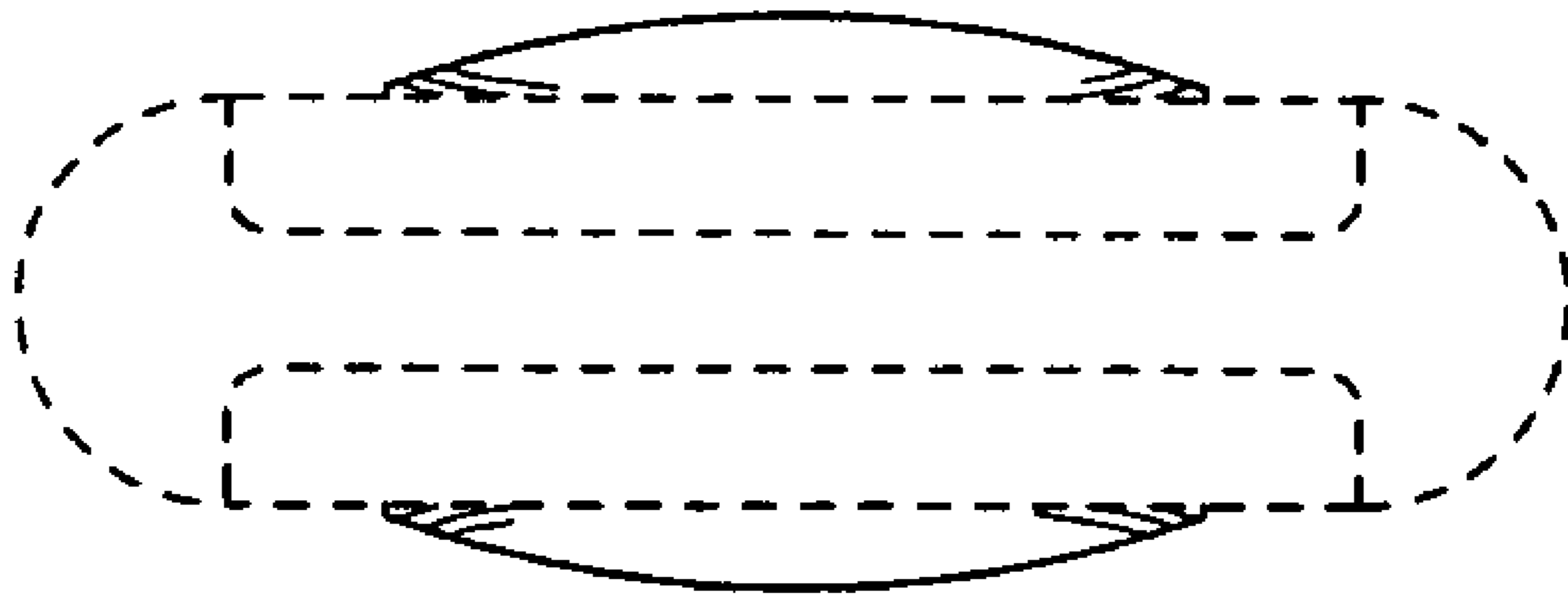


FIG. 5

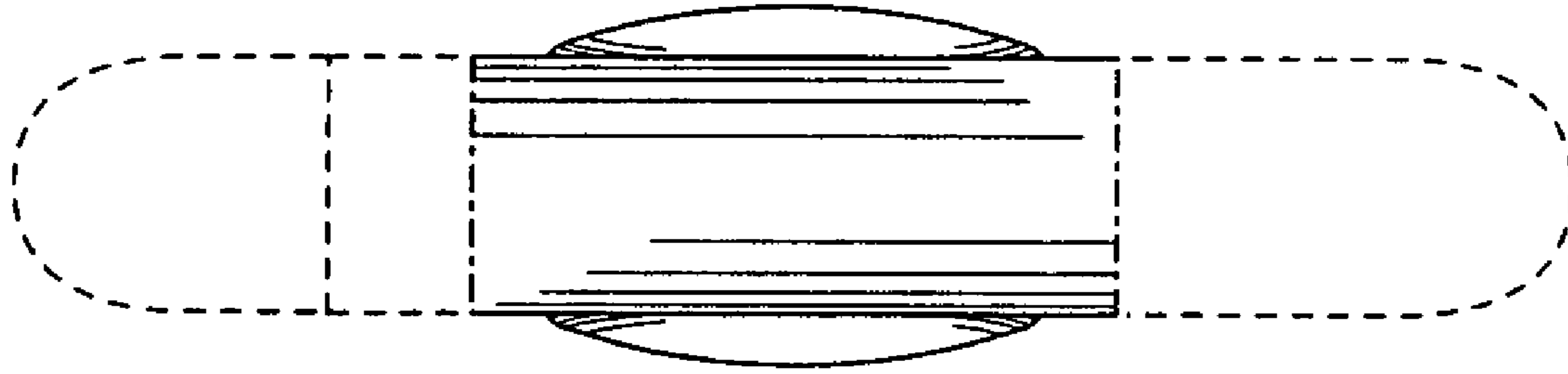


FIG.6

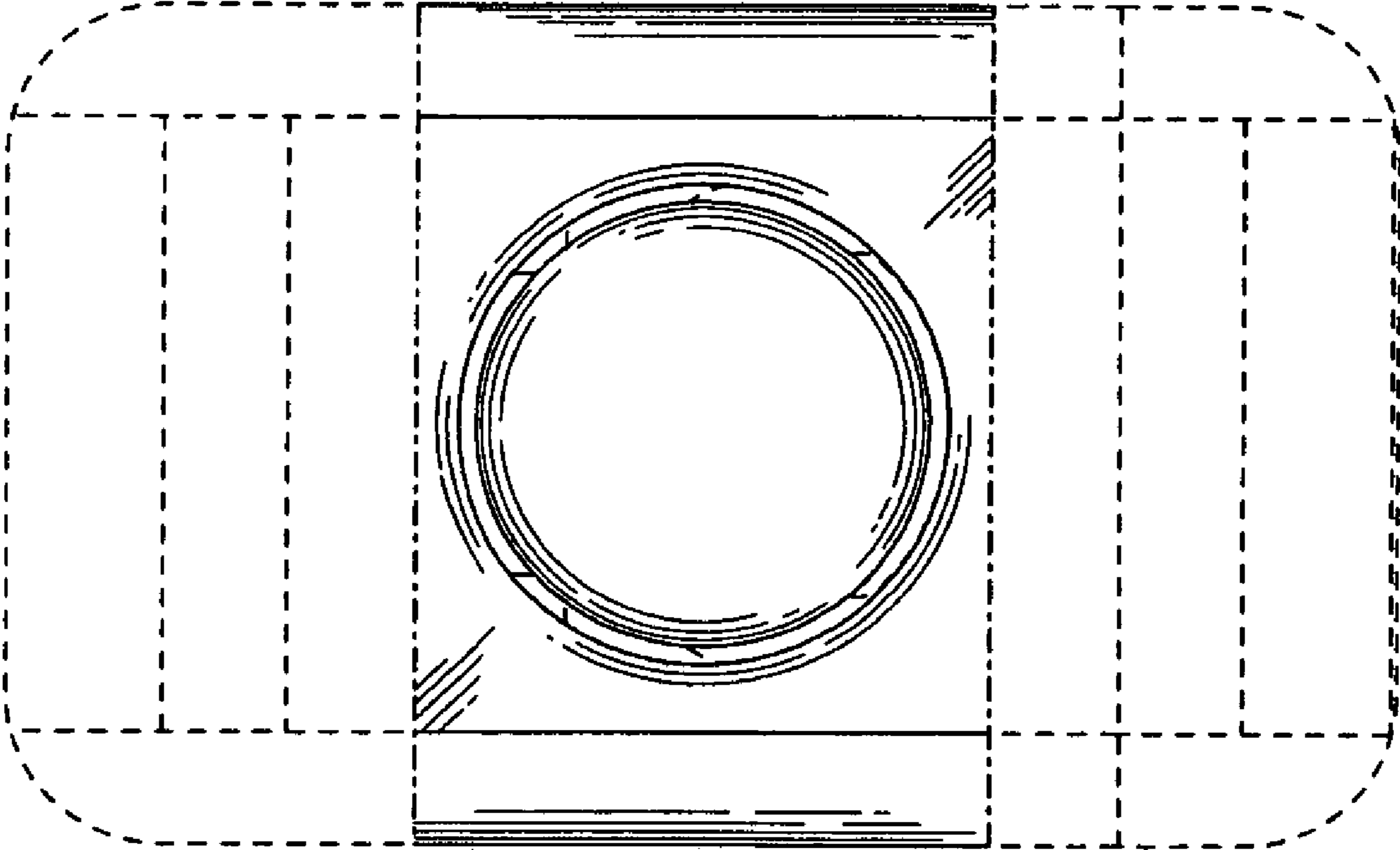


FIG. 7

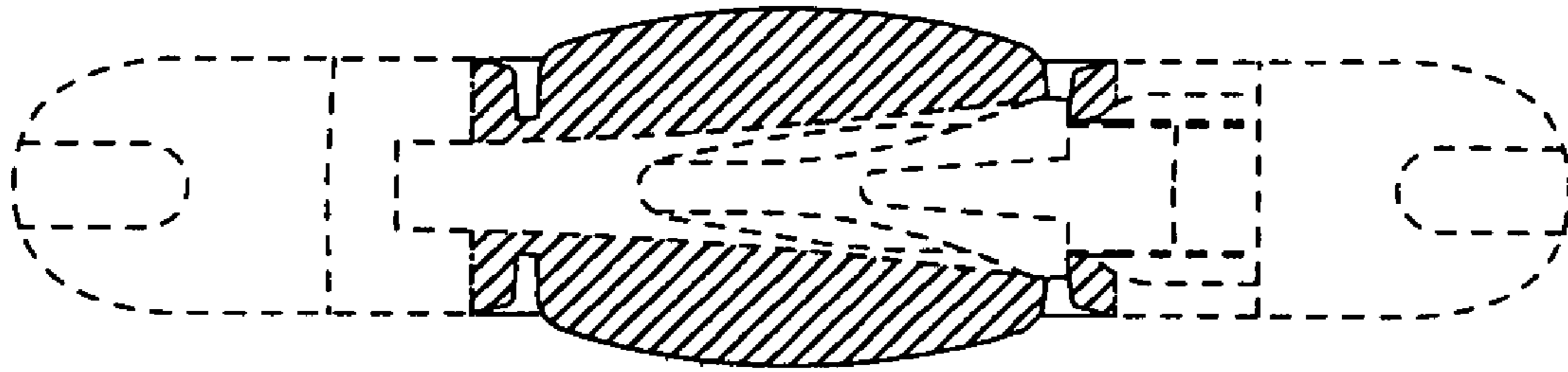


FIG.8

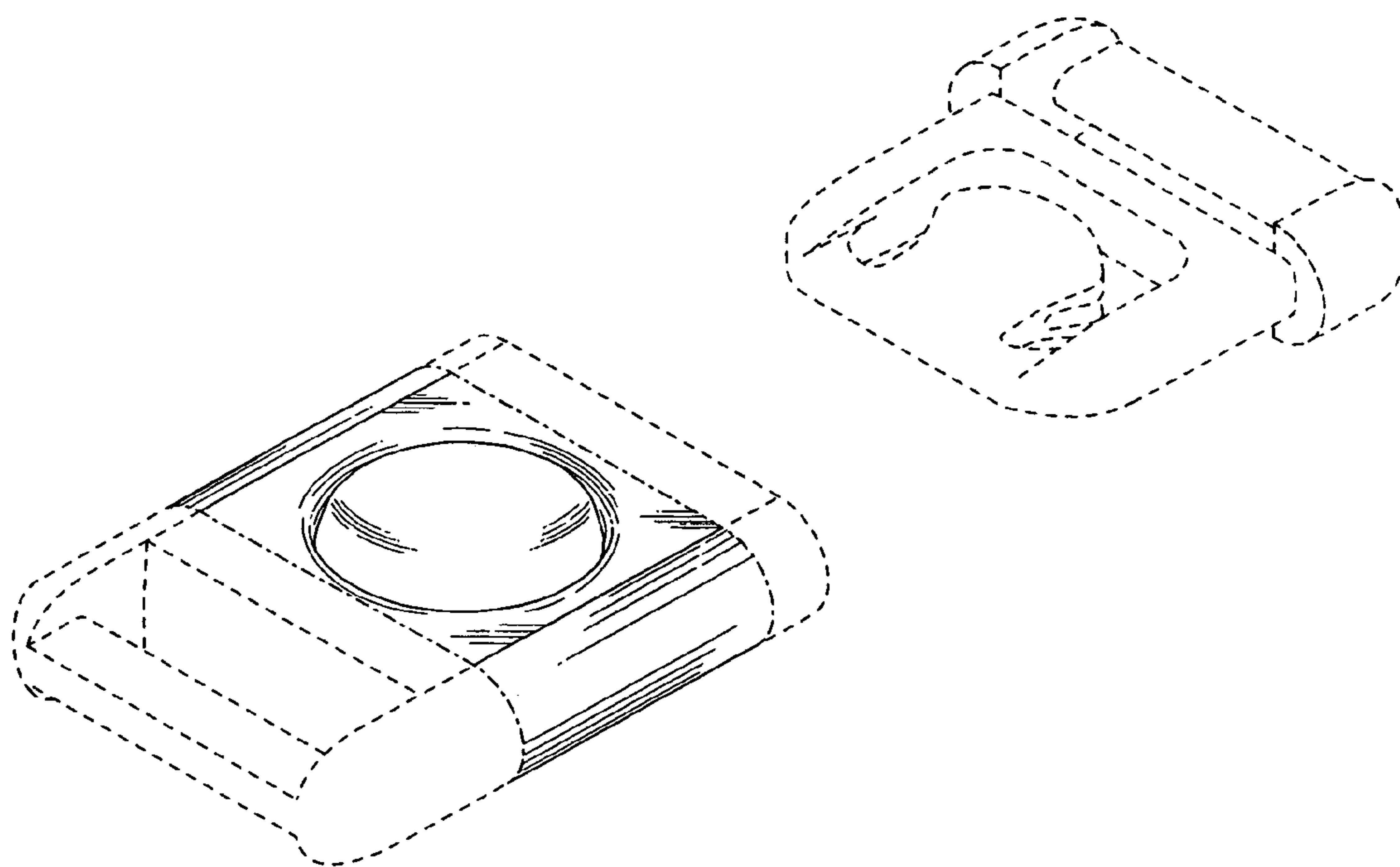


FIG.9

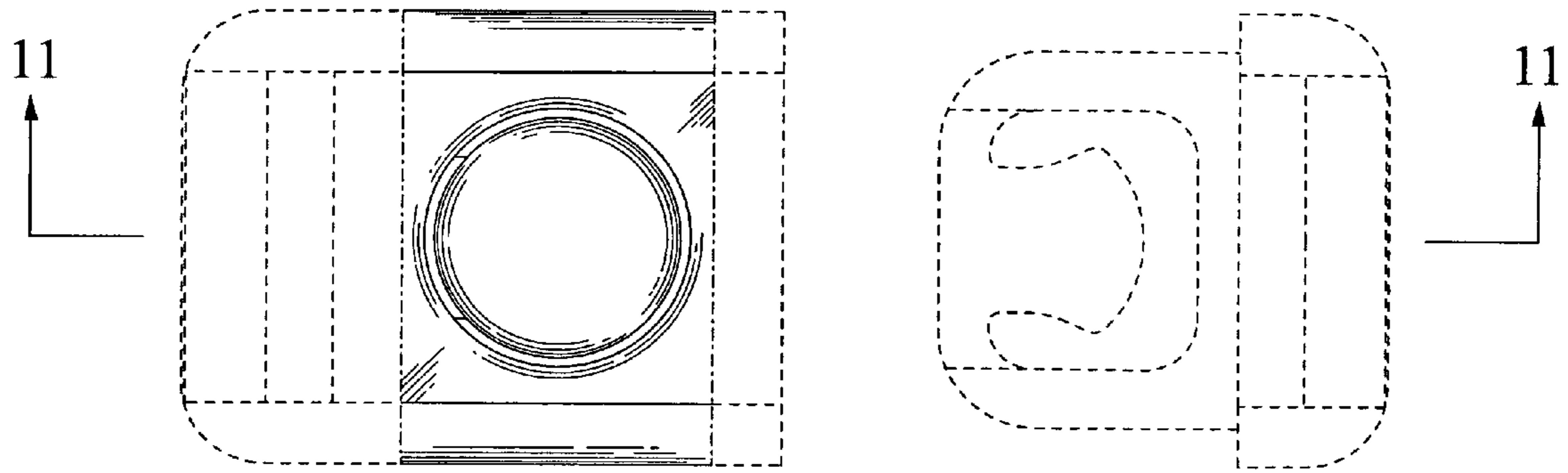


FIG.10

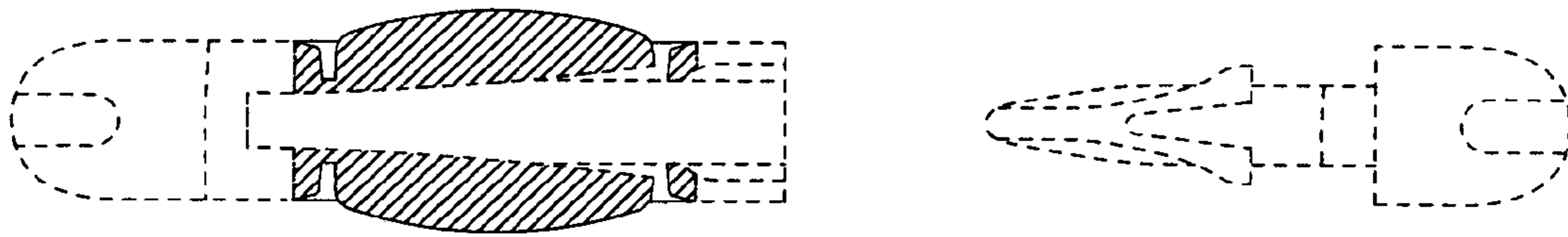


FIG. 11