



US00D575665S

(12) **United States Design Patent**
Fasciano

(10) **Patent No.:** **US D575,665 S**

(45) **Date of Patent:** **** Aug. 26, 2008**

(54) **WATCHBAND**

2004/0168285 A1* 9/2004 Chan 24/265 WS

* cited by examiner

(75) Inventor: **Giovanni Fasciano**, Milan (IT)

Primary Examiner—Louis S Zarfaz

Assistant Examiner—Michael A Pratt

(73) Assignee: **Global Watch Industries SRL**,
Modugno (BA) (IT)

(74) *Attorney, Agent, or Firm*—Hamre, Schumann, Mueller
& Larson, P.C.

(**) Term: **14 Years**

(57) **CLAIM**

(21) Appl. No.: **29/294,807**

The ornamental design for a watchband, as shown and
described.

(22) Filed: **Jan. 28, 2008**

(30) **Foreign Application Priority Data**

DESCRIPTION

Jul. 27, 2007 (EM) 765417

FIG. 1 is a perspective view of a watchband in accordance
with my invention thereof;

(51) **LOC (8) Cl.** **11-01**

FIG. 2 is a top view thereof;

(52) **U.S. Cl.** **D11/94**

FIG. 3 is a right side view thereof;

(58) **Field of Classification Search** D11/1-15,
D11/20, 21, 22, 23, 24, 25, 26, 30, 89, 91,
D11/94; D10/32; 224/164, 165, 166, 175,
224/178, 179; 59/3, 78, 79.2, 80, 82, 83,
59/93; 63/3, 3.1, 3.2, 10, 11, 15, 15.7, 18,
63/21, 23, 26, 28, 32, 35, 37, 38
See application file for complete search history.

FIG. 4 is a bottom view thereof;

FIG. 5 is a left side view thereof;

FIG. 6 is a front view thereof;

FIG. 7 is a rear view thereof;

FIG. 8 is a top view thereof, in a partially opened position to
the rear;

(56) **References Cited**

U.S. PATENT DOCUMENTS

D469,377 S * 1/2003 Lee D11/87

D469,378 S * 1/2003 Lee D11/87

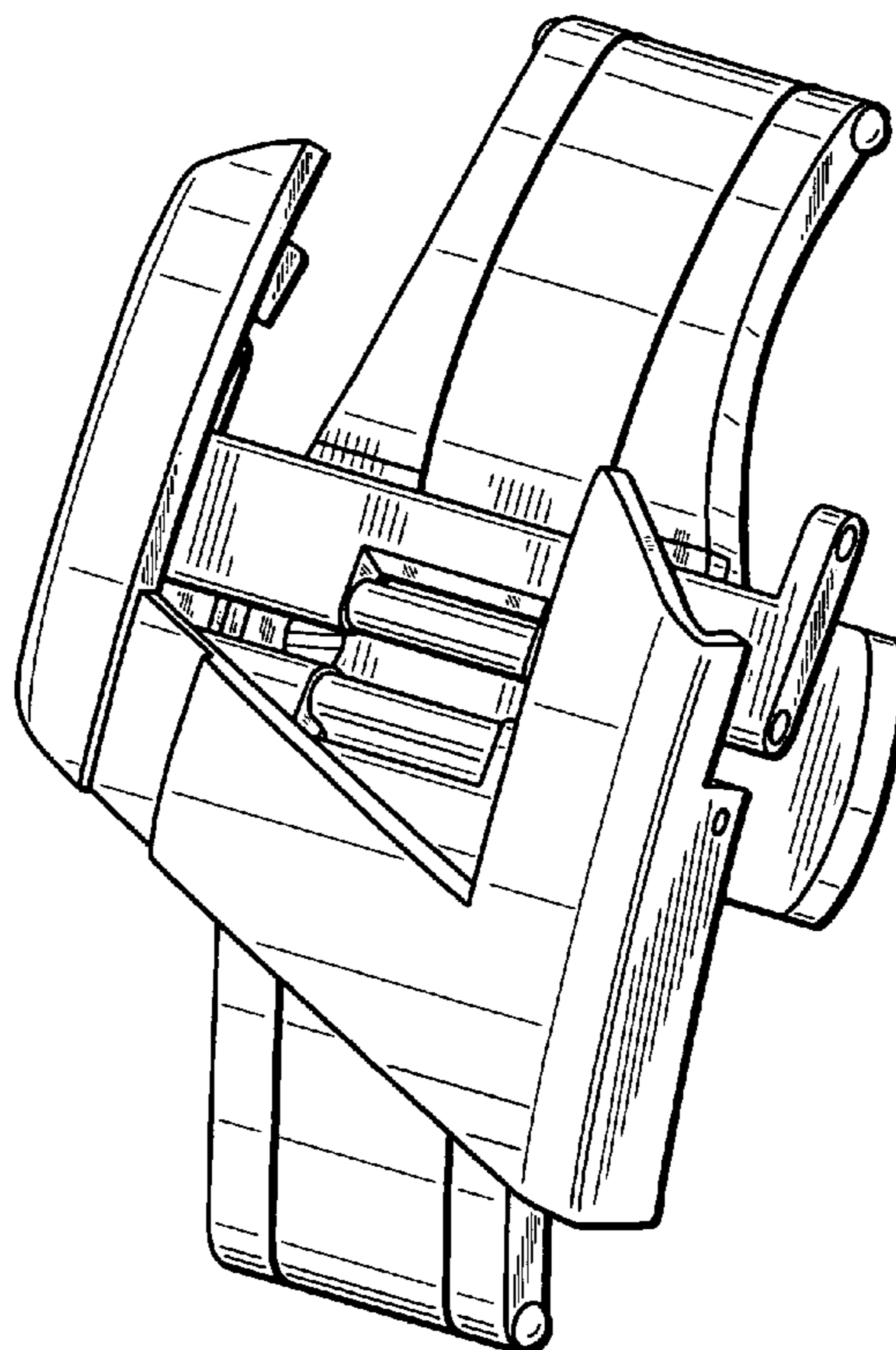
D470,791 S * 2/2003 Modolo D11/94

FIG. 9 is a top view thereof, in a partially opened position to
the front;

FIG. 10 is a top view thereof, in a fully opened position; and,

FIG. 11 is a left side view thereof, in a fully opened position.

1 Claim, 7 Drawing Sheets



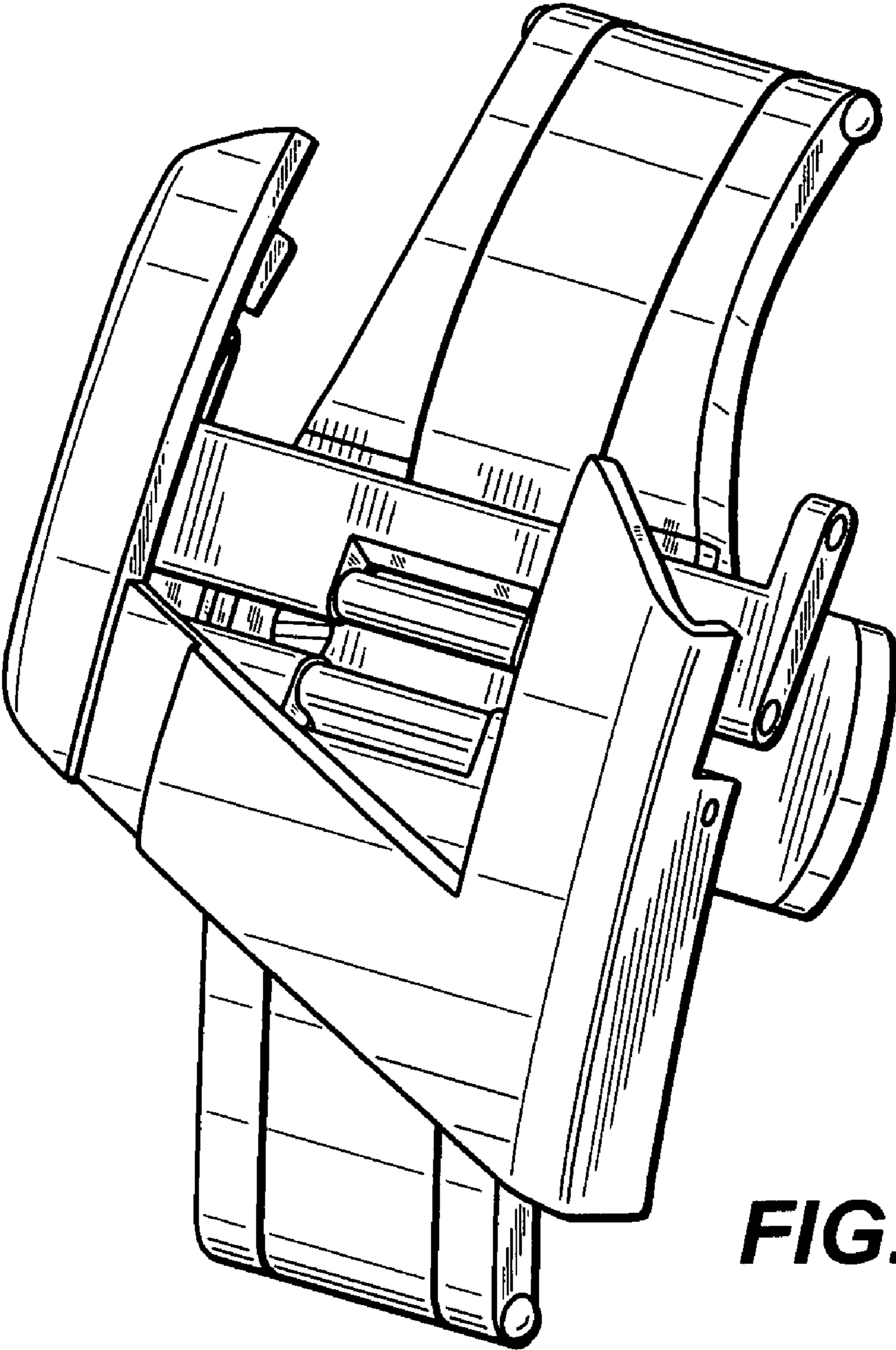


FIG. 1

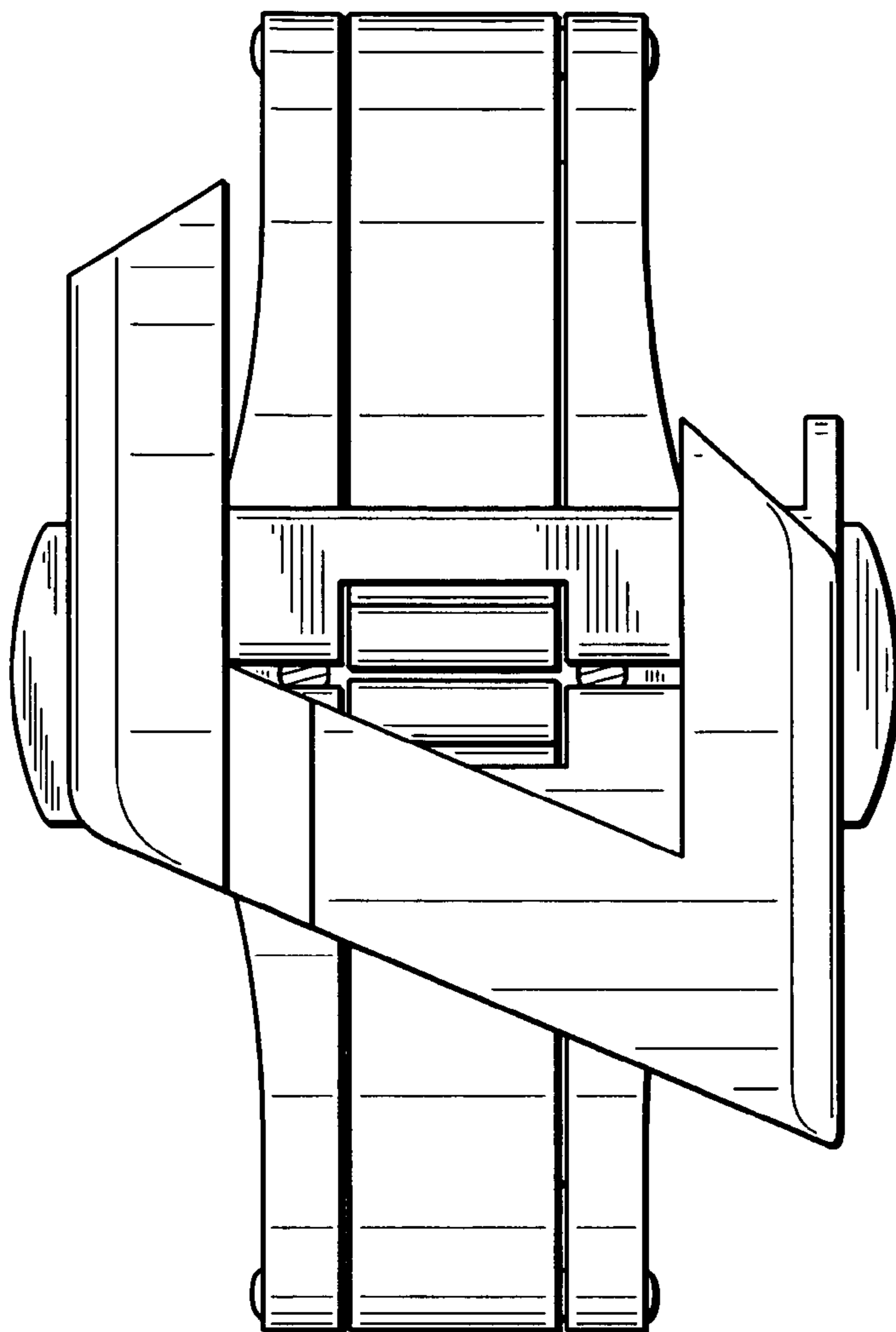


FIG. 2

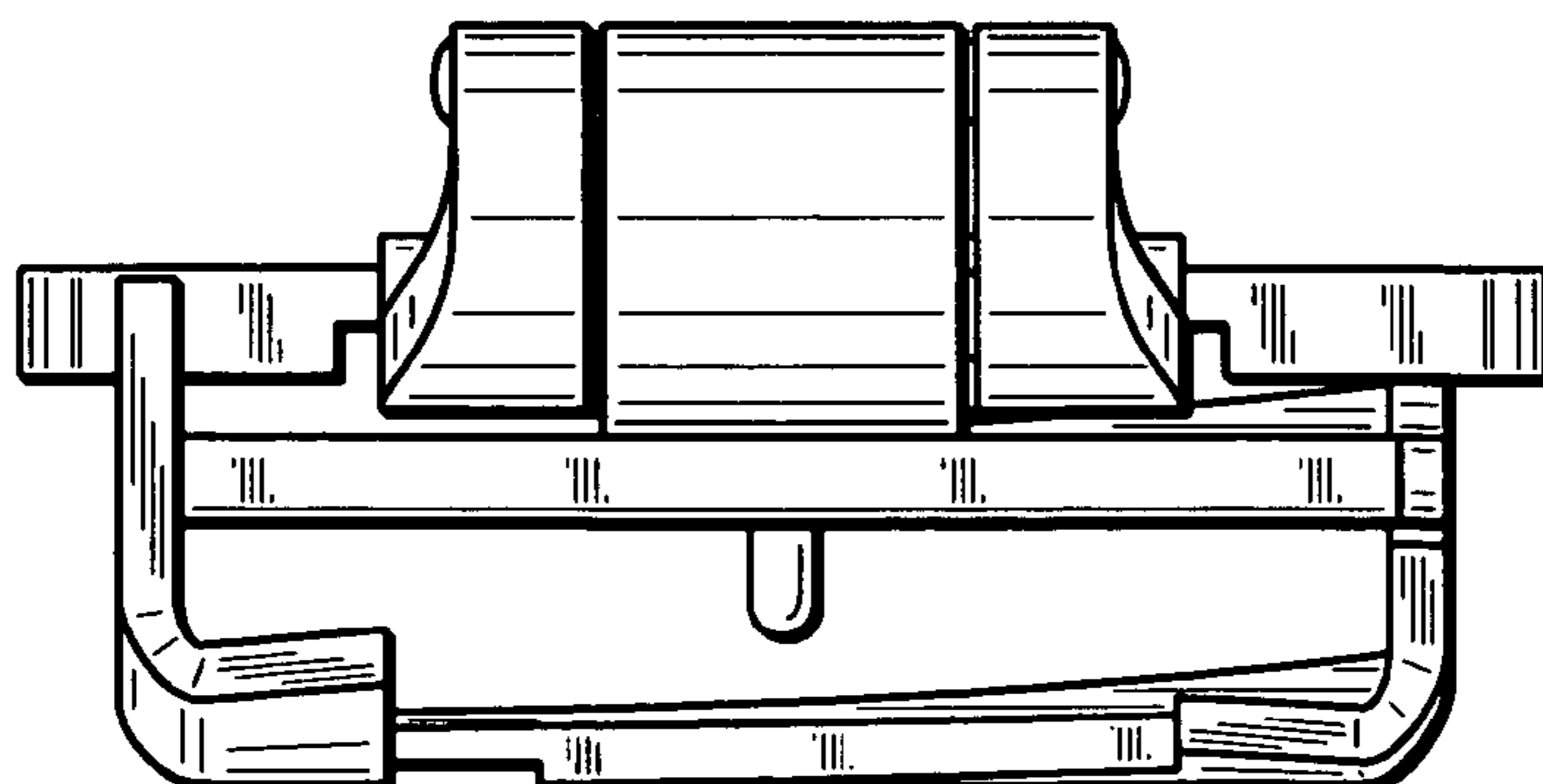


FIG. 6

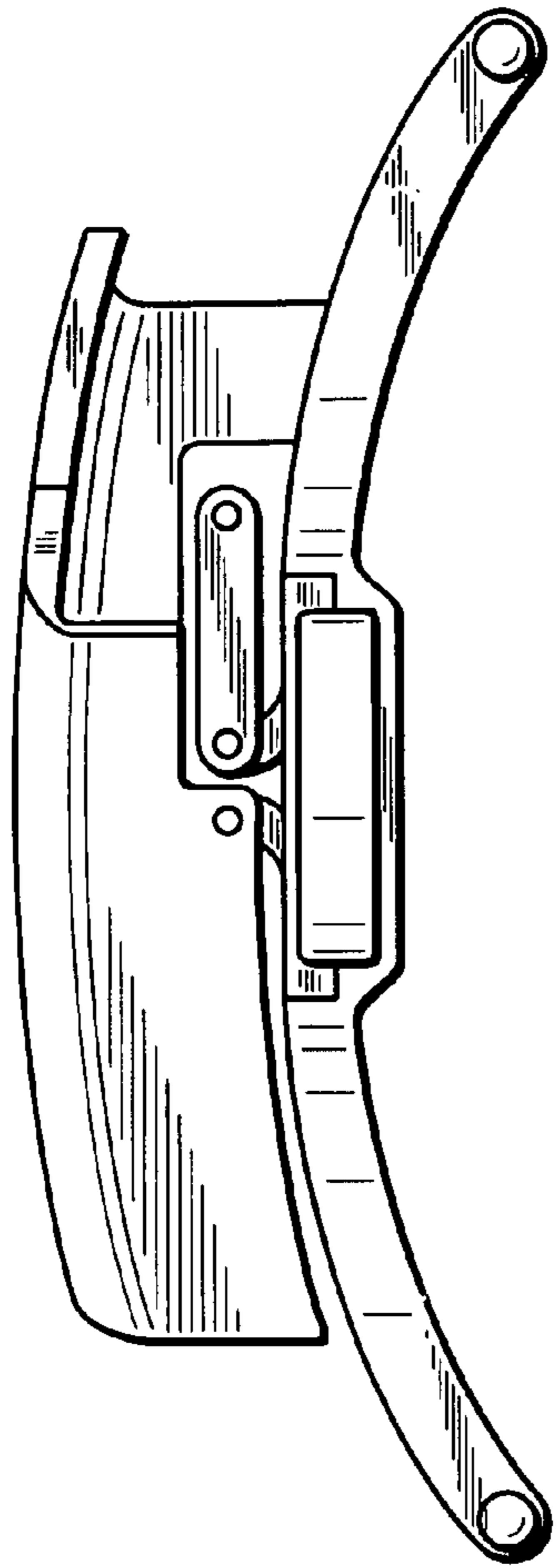


FIG. 3

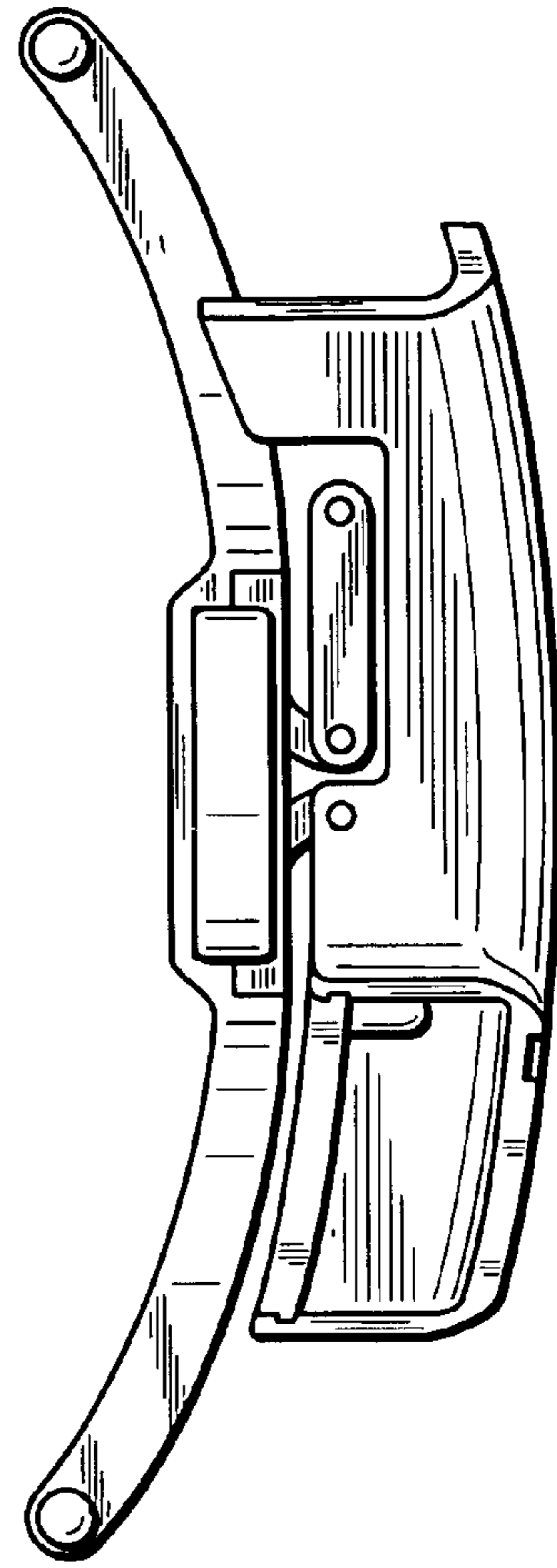


FIG. 5

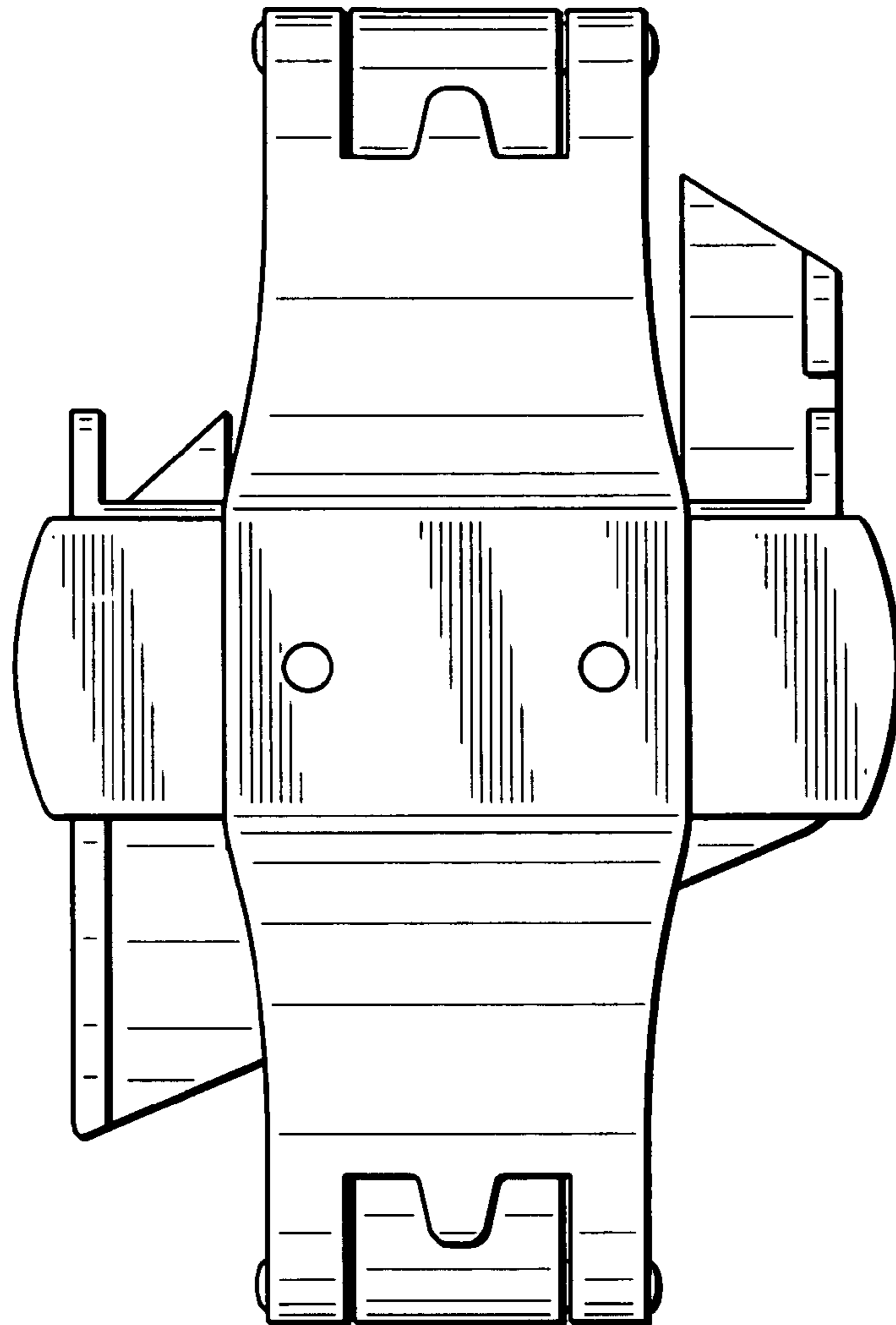


FIG. 4

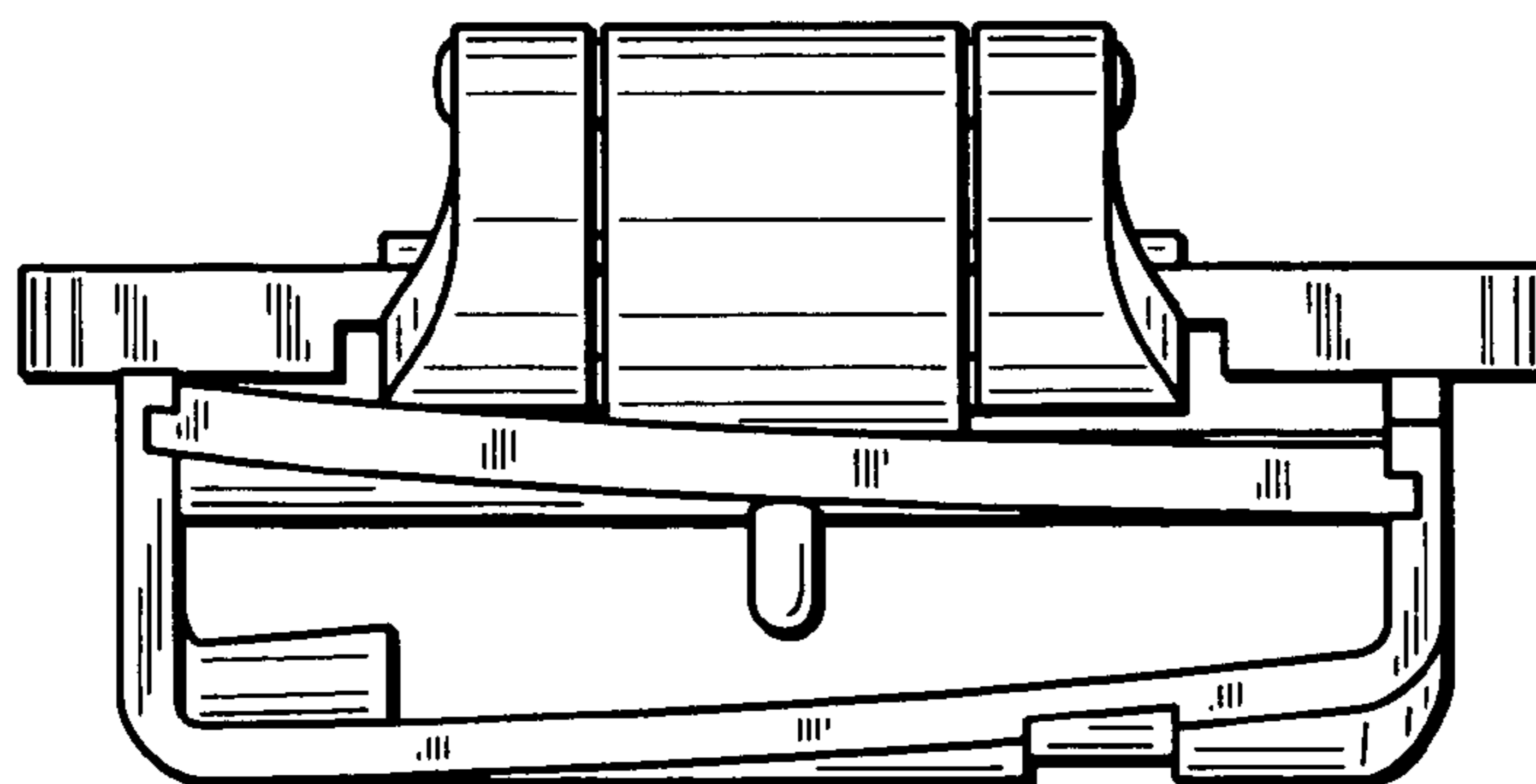


FIG. 7

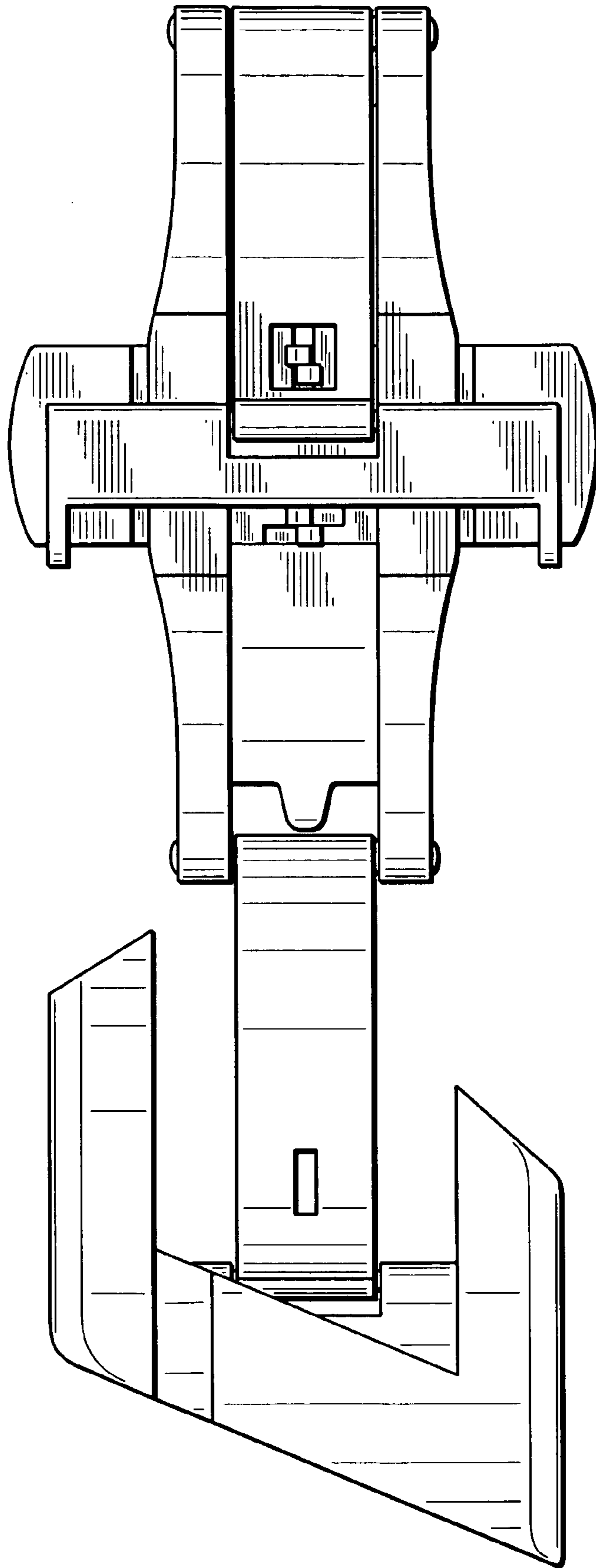


FIG. 8

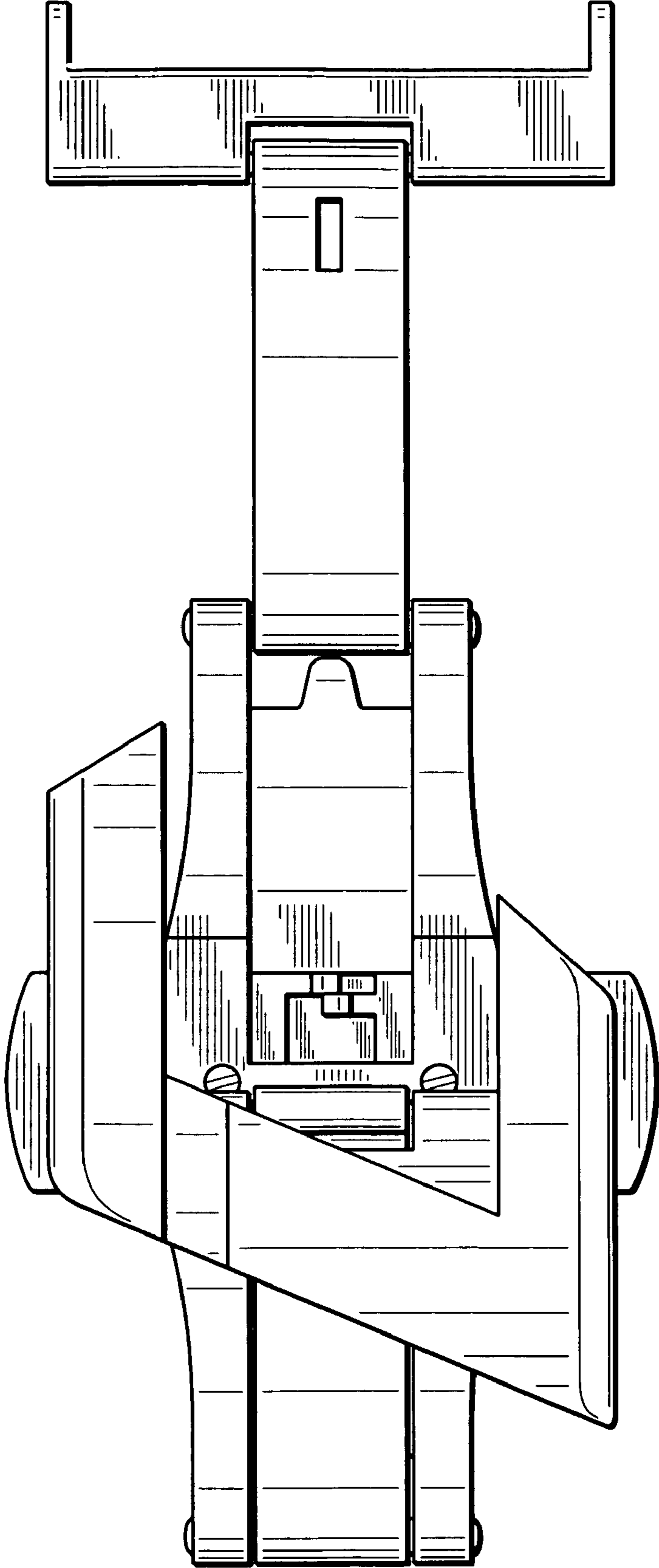


FIG. 9

