



US00D575663S

(12) **United States Design Patent**
Hayden

(10) **Patent No.:** **US D575,663 S**

(45) **Date of Patent:** **** Aug. 26, 2008**

(54) **EMERGENCY PET ALERT BRACELET**

(76) Inventor: **Michelle D. Hayden**, 19145 Delano St.,
Tarzana, CA (US) 91335

(**) Term: **14 Years**

(21) Appl. No.: **29/298,226**

(22) Filed: **Nov. 30, 2007**

(51) **LOC (8) Cl.** **11-01**

(52) **U.S. Cl.** **D11/79**

(58) **Field of Classification Search** D11/1,
D11/2, 3, 11, 12, 13, 14, 15, 17, 20, 30, 44,
D11/48, 61, 66, 77, 79, 80, 81, 95, 96, 99,
D11/116, 200, 210, 212, 213, 214, 218, 226,
D11/231; 63/3, 3.1, 3.2, 4, 5.1, 7, 10, 11,
63/15, 15.7, 18, 21, 36, 37, 38; 59/1, 2, 3,
59/78, 79.2

See application file for complete search history.

(56) **References Cited**

U.S. PATENT DOCUMENTS

D350,078 S *	8/1994	Isroff	D11/4
D406,784 S *	3/1999	Thompson	D11/3
D419,079 S *	1/2000	Rodkey	D10/32
D442,111 S *	5/2001	Montmigny	D11/80
2002/0139142 A1 *	10/2002	Marandola, Jr.	63/22

2002/0189146 A1 *	12/2002	Lyon	40/633
2006/0042139 A1 *	3/2006	Mendes	40/633
2006/0248766 A1 *	11/2006	Phelps	40/633

* cited by examiner

Primary Examiner—Louis S Zarfaz

Assistant Examiner—Michael A Pratt

(74) *Attorney, Agent, or Firm*—Advantage IP Law Firm

(57) **CLAIM**

The ornamental design for an emergency pet alert bracelet, as shown and described.

DESCRIPTION

FIG. 1 is a perspective view of a bracelet illustrating my new design;

FIG. 2 is a front view thereof;

FIG. 3 is a rear view thereof;

FIG. 4 is a left side view thereof;

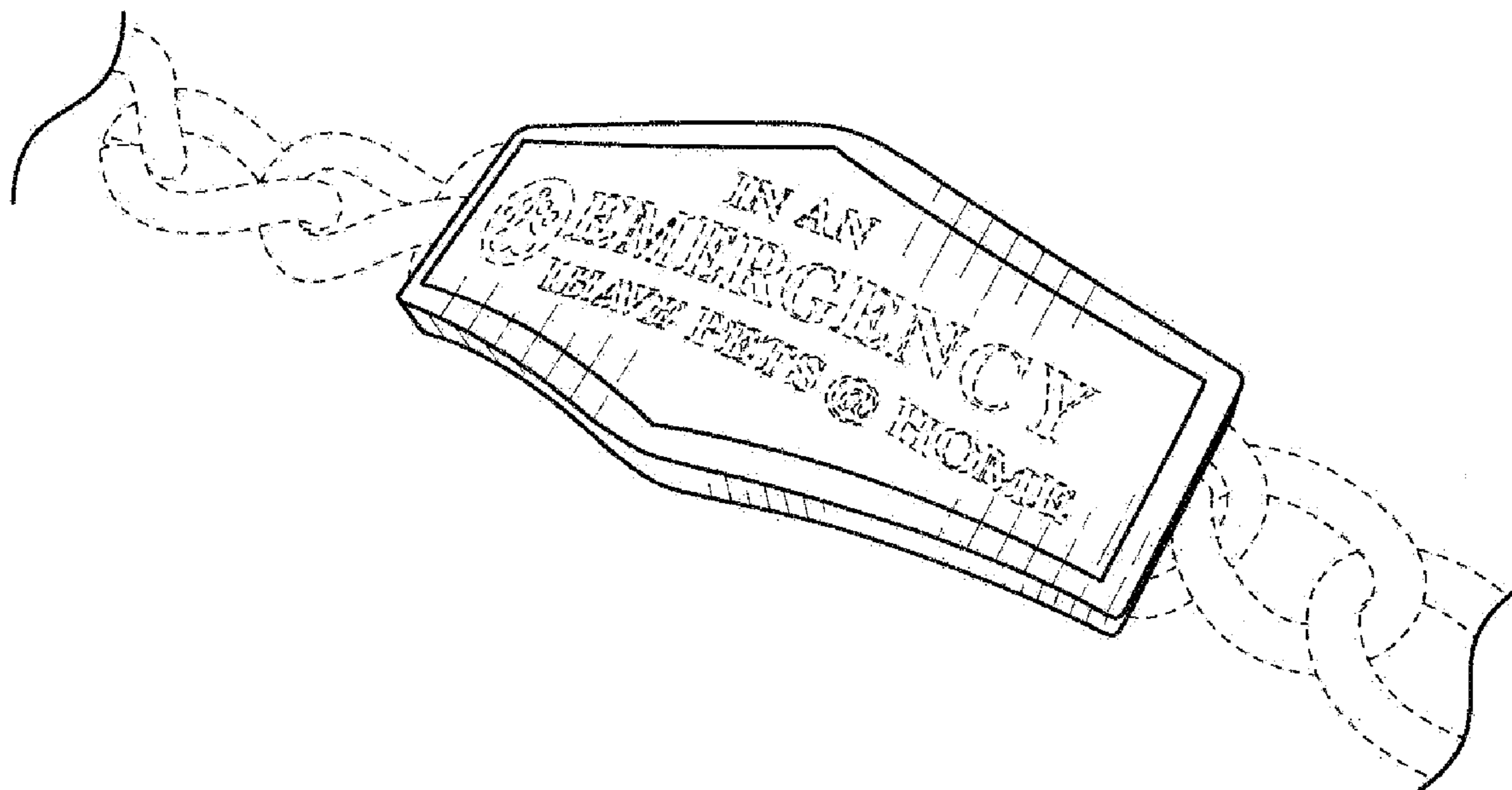
FIG. 5 is a right side view thereof;

FIG. 6 is a top view thereof; and,

FIG. 7 is a bottom view thereof.

All dashed lines are for environmental purposes only and form no part of the claimed design.

1 Claim, 2 Drawing Sheets



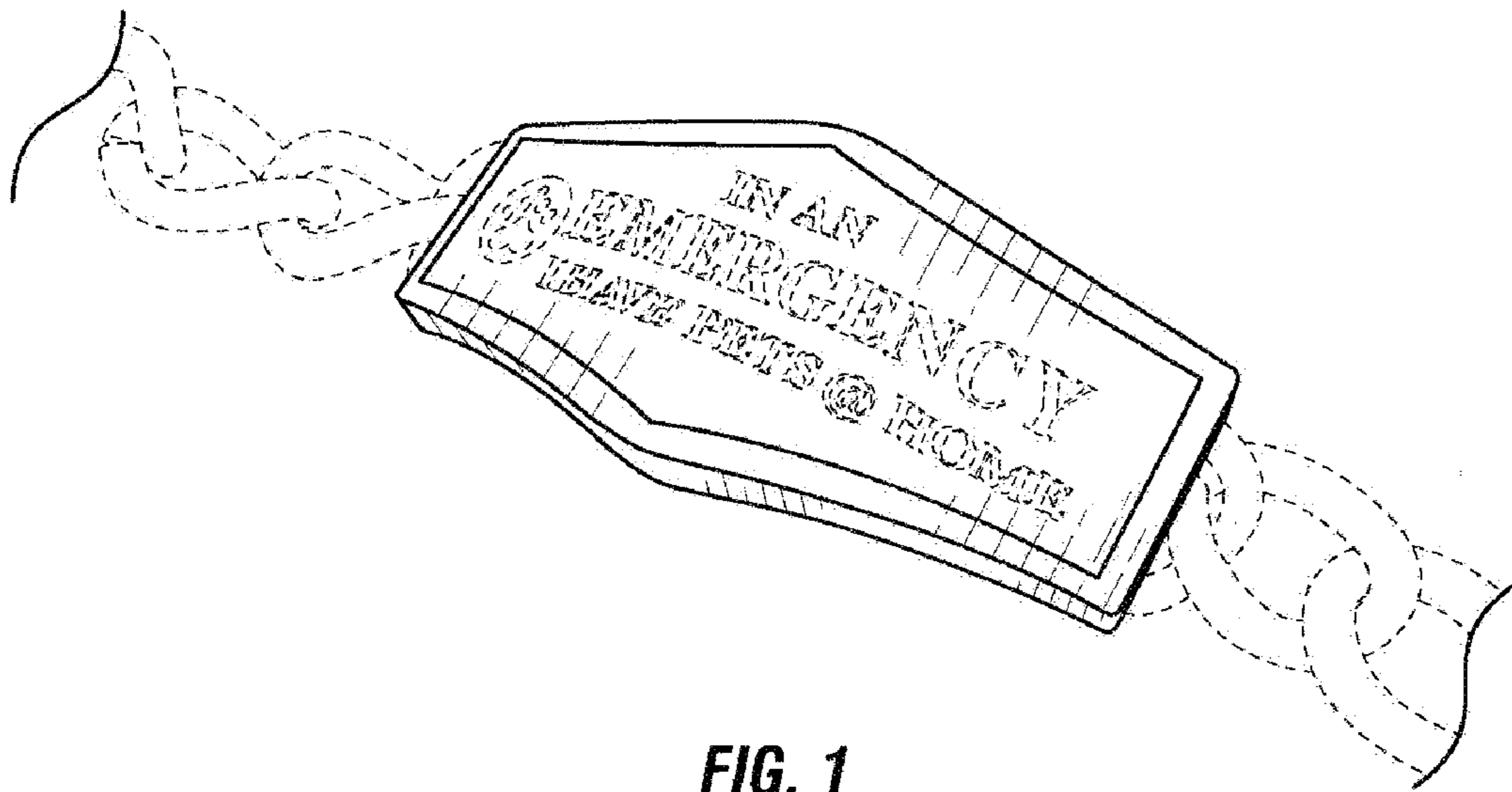


FIG. 1

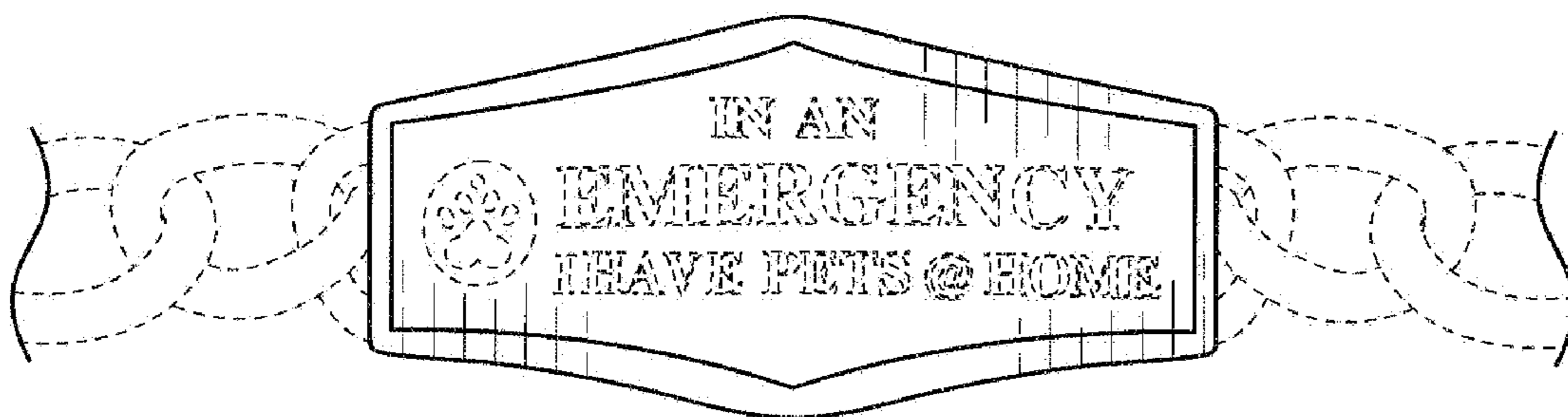


FIG. 2

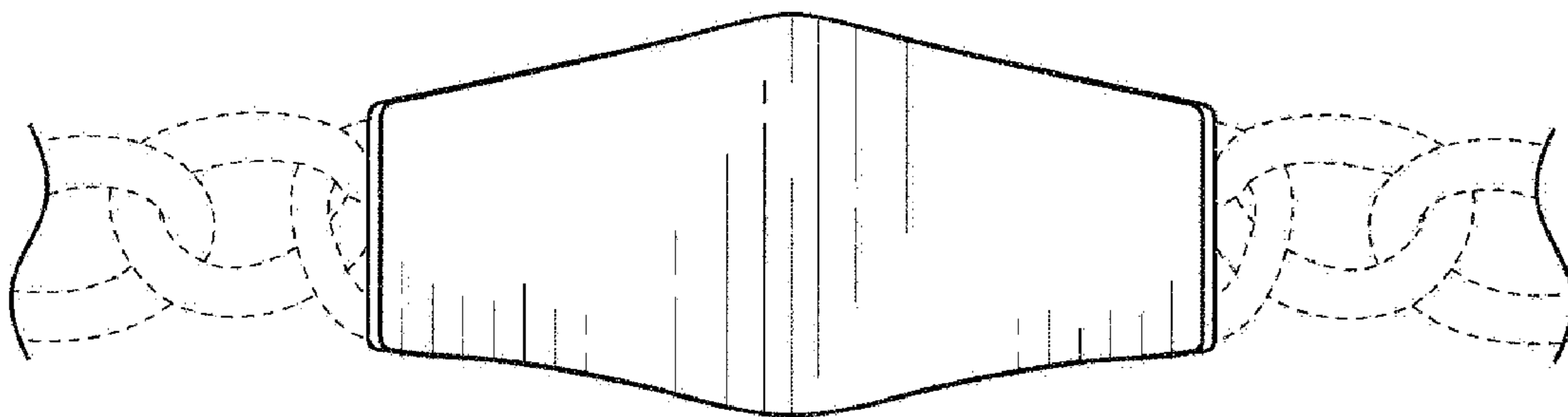


FIG. 3

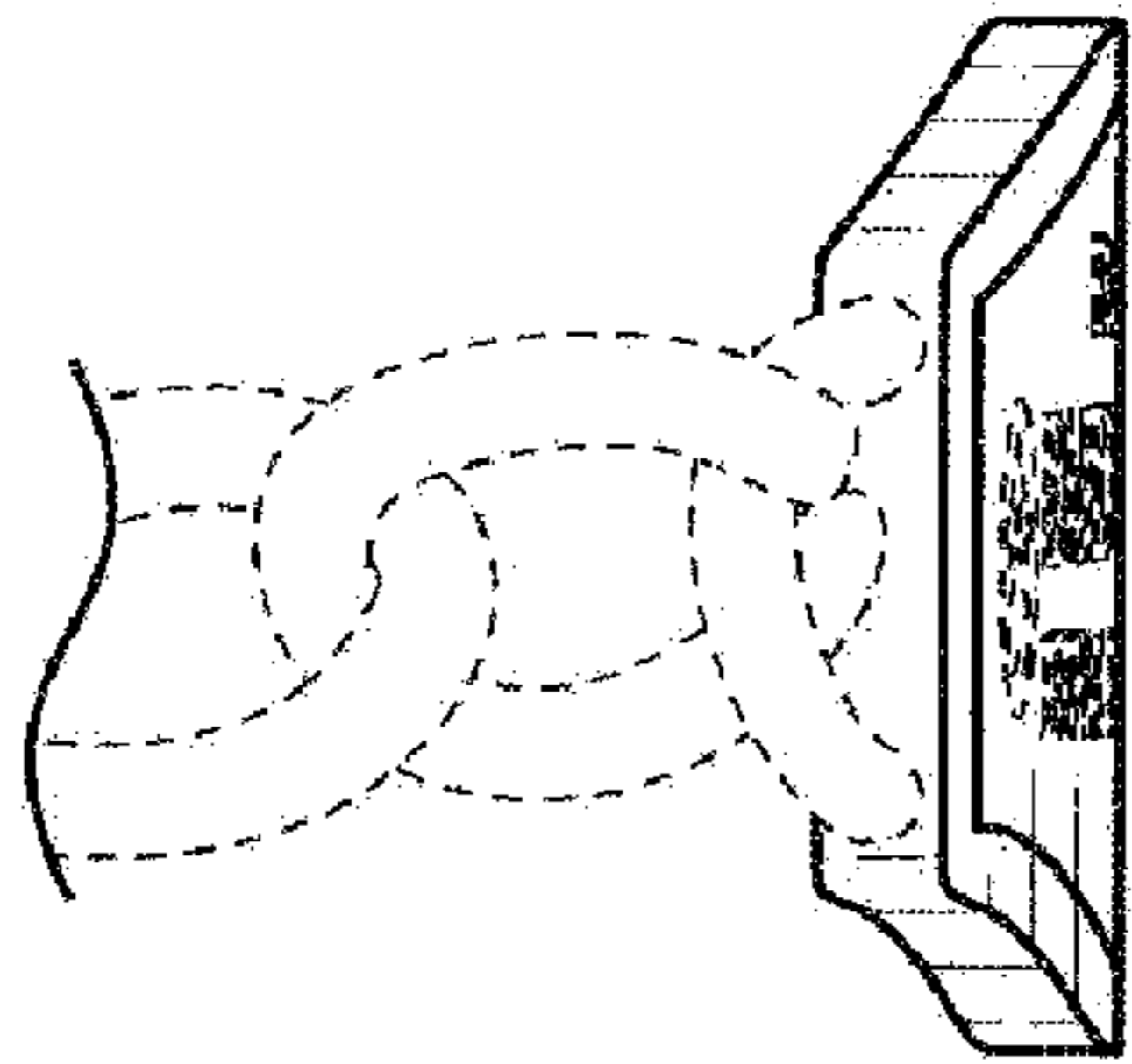


FIG. 4

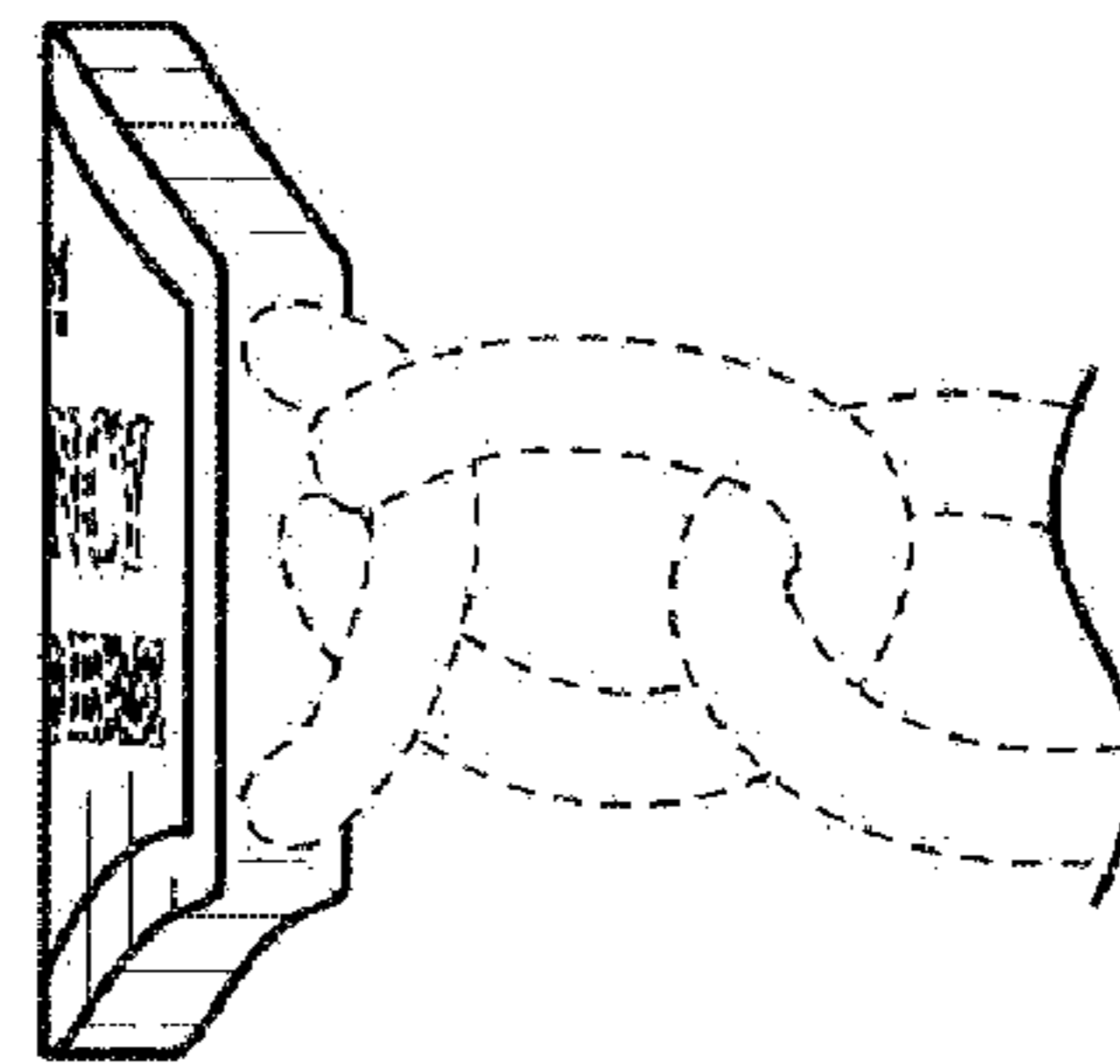


FIG. 5

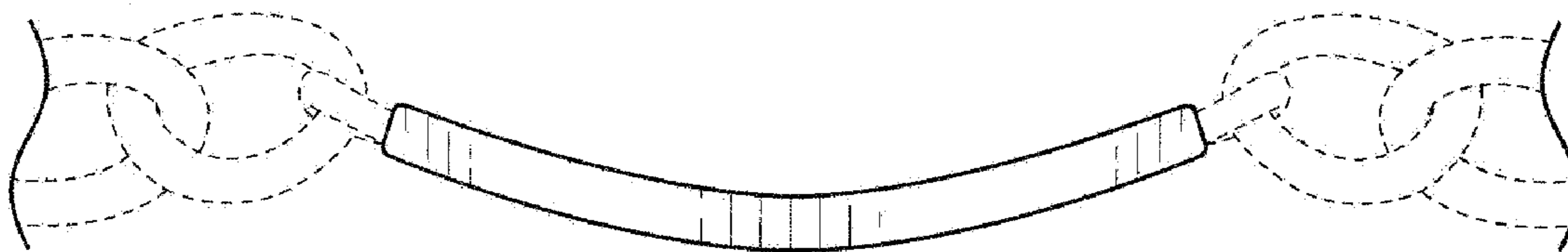


FIG. 6

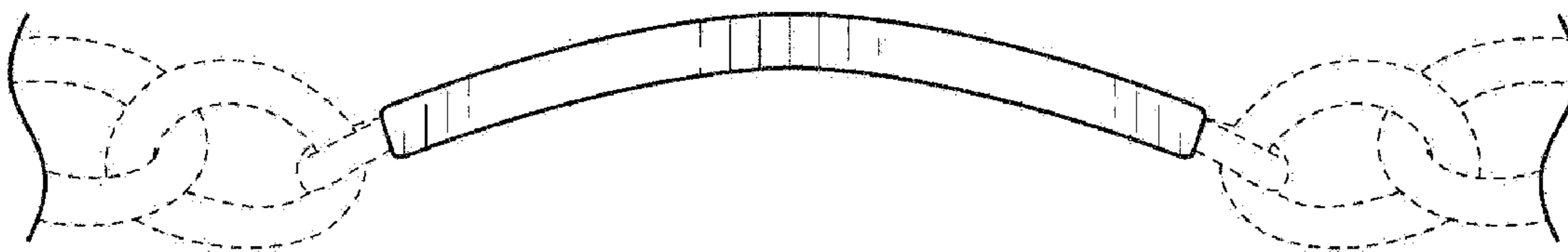


FIG. 7