



US00D575652S

(12) **United States Design Patent**
Varini

(10) **Patent No.:** **US D575,652 S**

(45) **Date of Patent:** **** Aug. 26, 2008**

(54) **WATER METER**

D562,168 S * 2/2008 Johnson et al. D10/96

(75) Inventor: **Otto Varini**, Suzzara (IT)

* cited by examiner

(73) Assignee: **Piusi S.p.A.**, Suzzara (IT)

Primary Examiner—Antoine D Davis

(**) Term: **14 Years**

(74) *Attorney, Agent, or Firm*—Modiano & Associati; Daniel J. O’Byrne; Albert Josif

(21) Appl. No.: **29/290,207**

(57) **CLAIM**

(22) Filed: **Nov. 2, 2007**

The ornamental design for the “water meter”, as shown.

(30) **Foreign Application Priority Data**

DESCRIPTION

May 10, 2007 (EM) 000721584

(51) **LOC (8) Cl.** **10-04**

FIG. 1 is a perspective view of the water meter showing my new design;

(52) **U.S. Cl.** **D10/96**

FIG. 2 is a top plan view thereof;

(58) **Field of Classification Search** D10/96,

FIG. 3 is a front elevation view thereof;

D10/99, 100, 102; 73/861.77, 861.78, 861.79,

FIG. 4 is a right-side elevation view thereof;

73/861.81, 861.83, 861.84, 861.92

FIG. 5 is a left-side elevation view thereof;

See application file for complete search history.

FIG. 6 is a rear elevation view thereof; and,

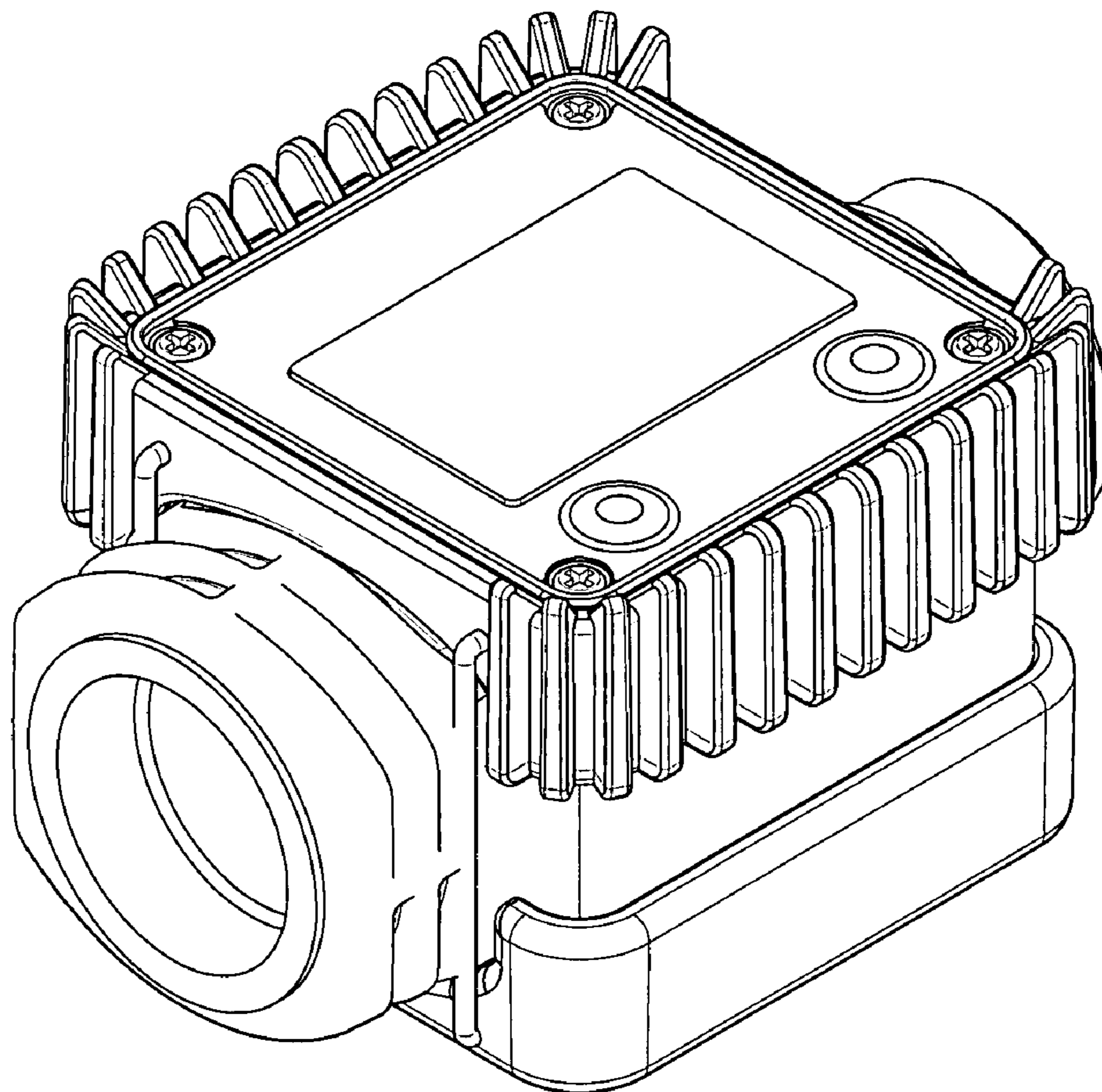
(56) **References Cited**

FIG. 7 is a bottom plan view thereof.

U.S. PATENT DOCUMENTS

D556,616 S * 12/2007 Preston et al. D10/96

1 Claim, 3 Drawing Sheets



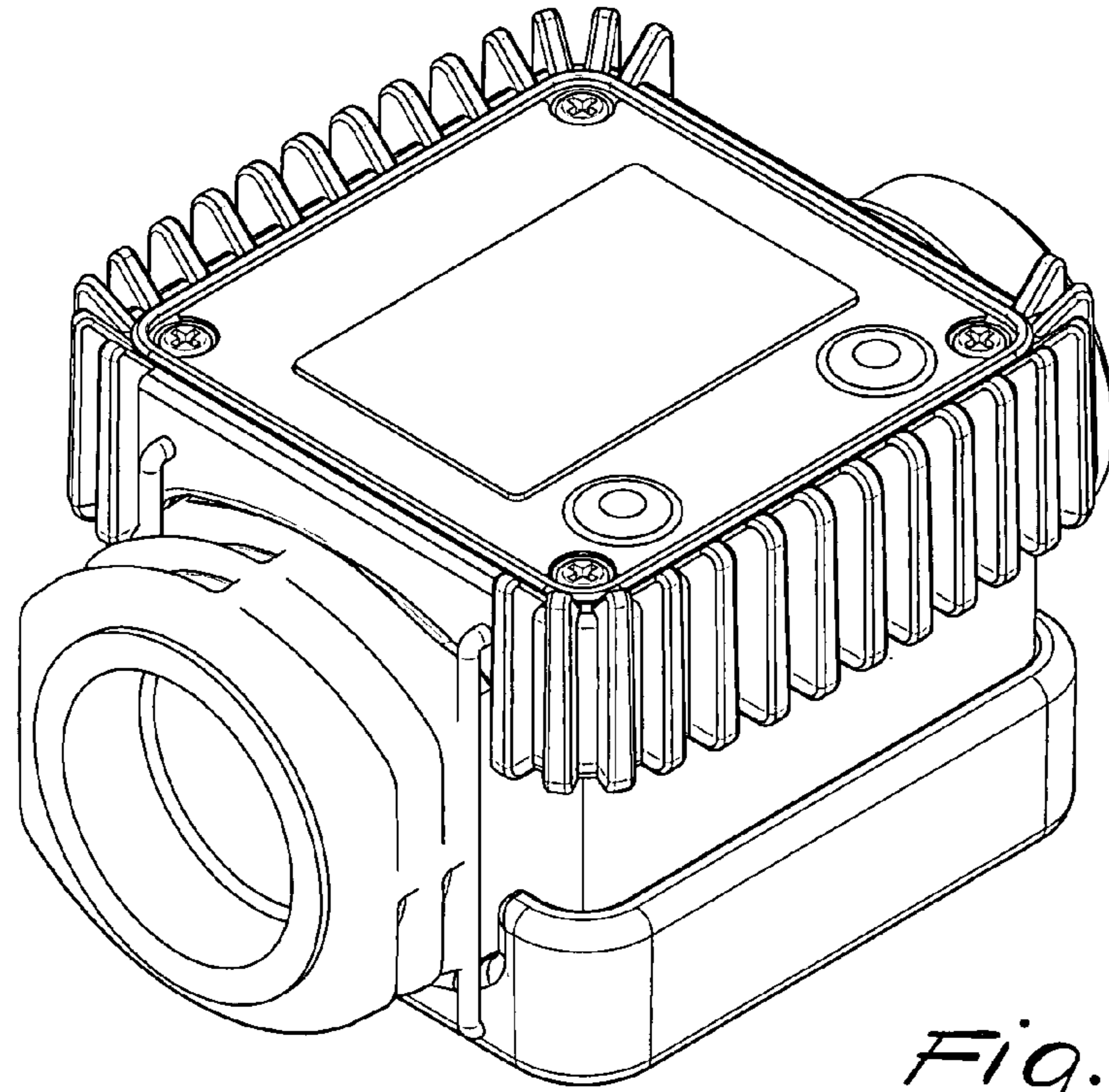


Fig. 1

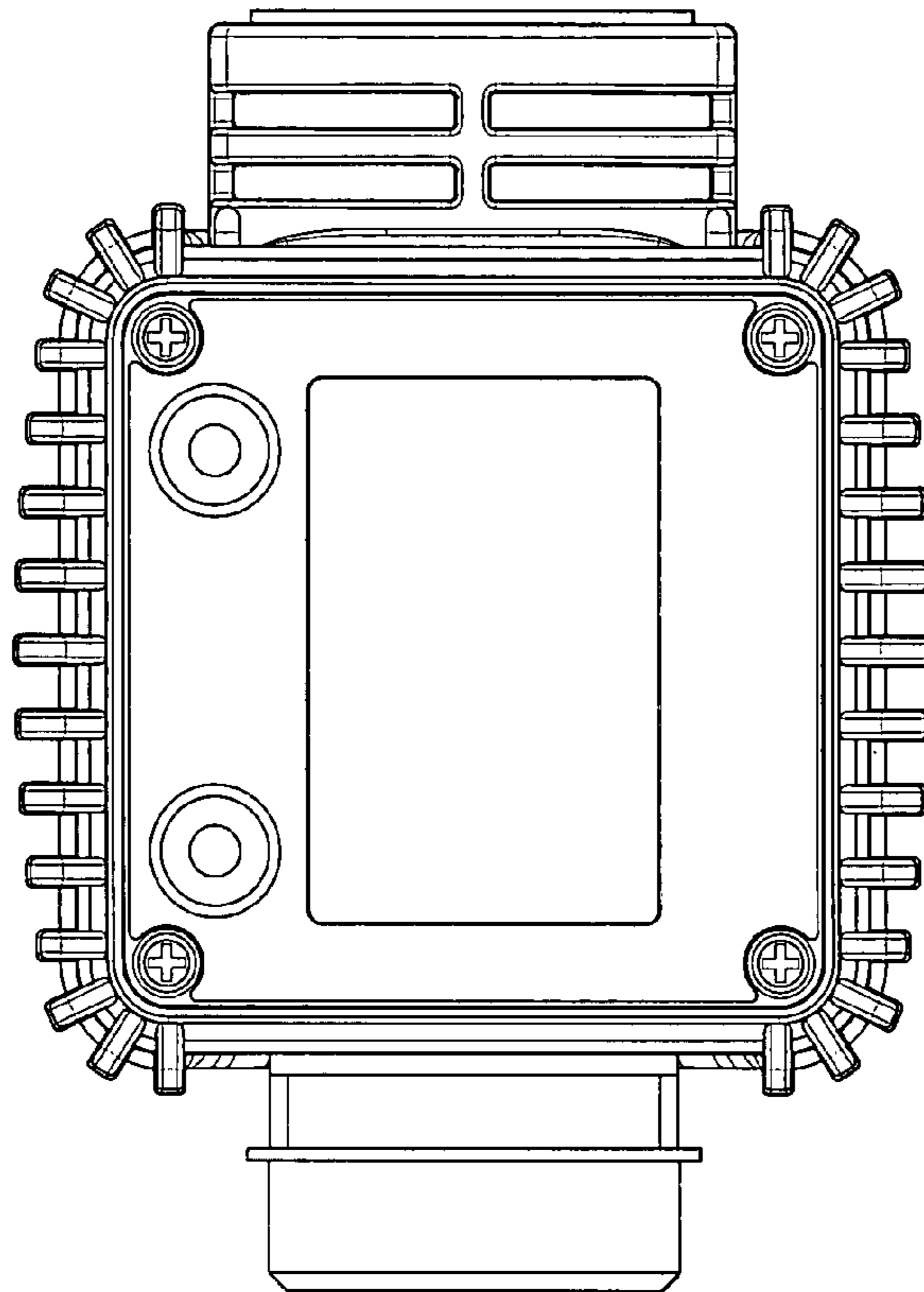


Fig. 2

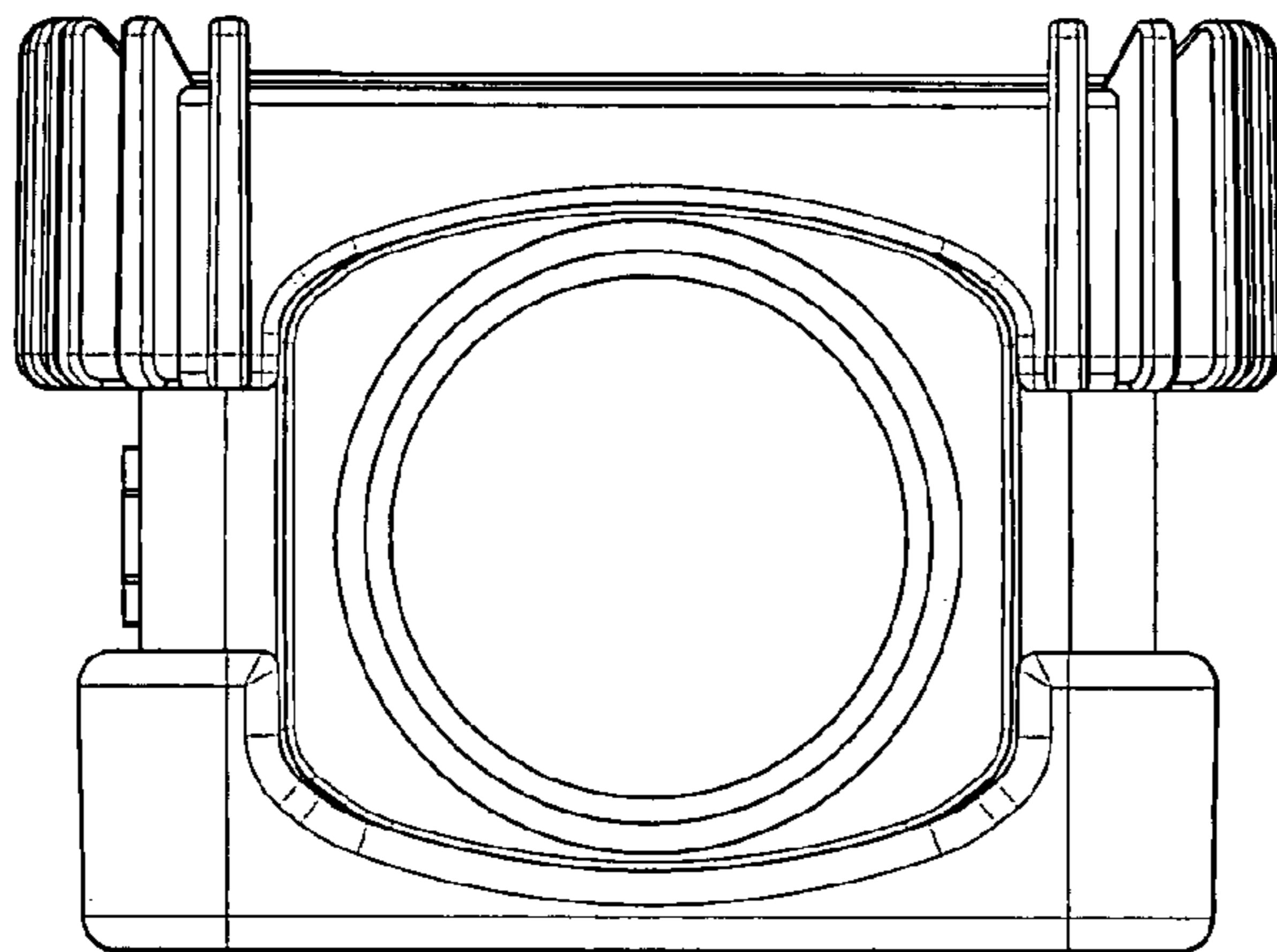


Fig. 3

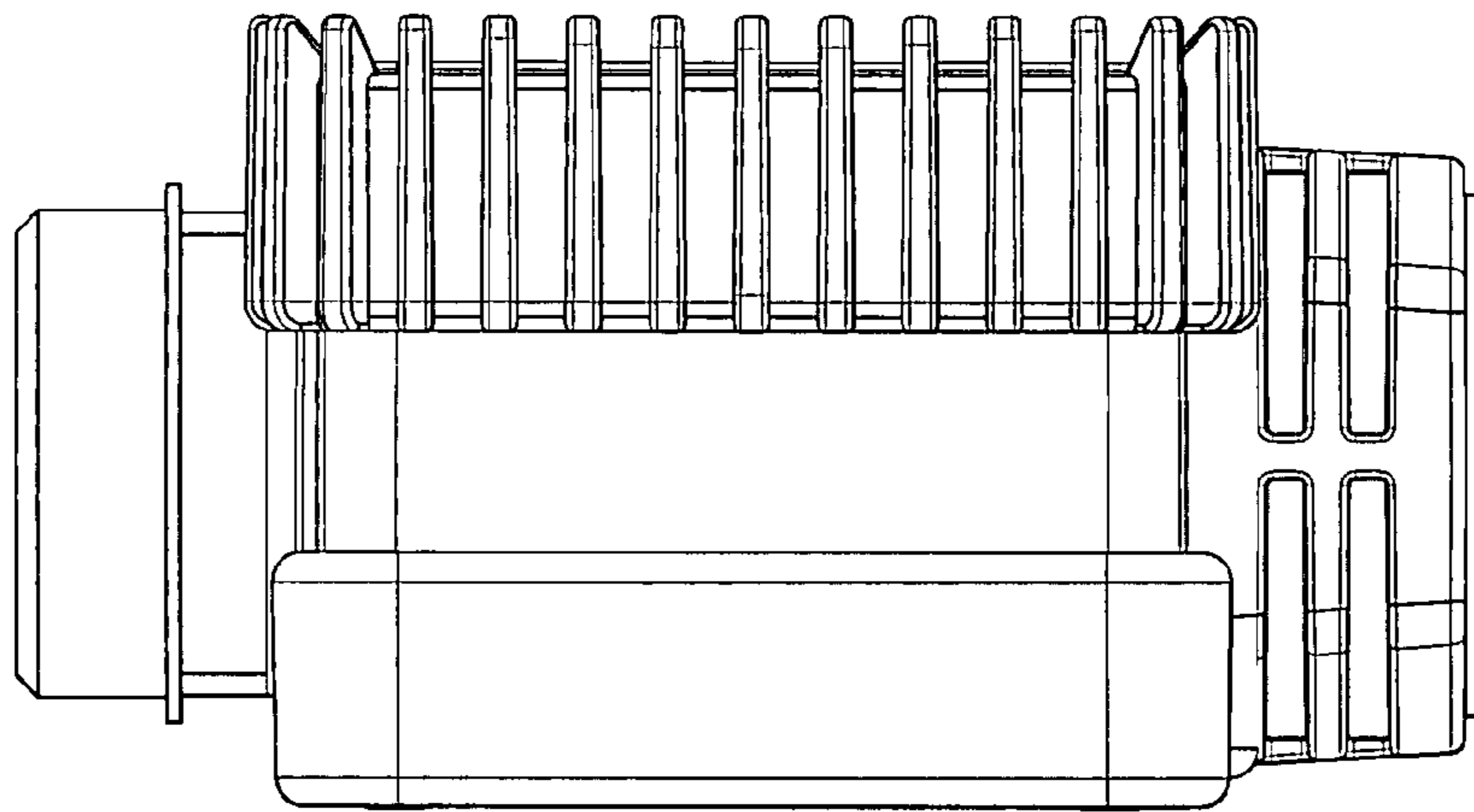


Fig. 4

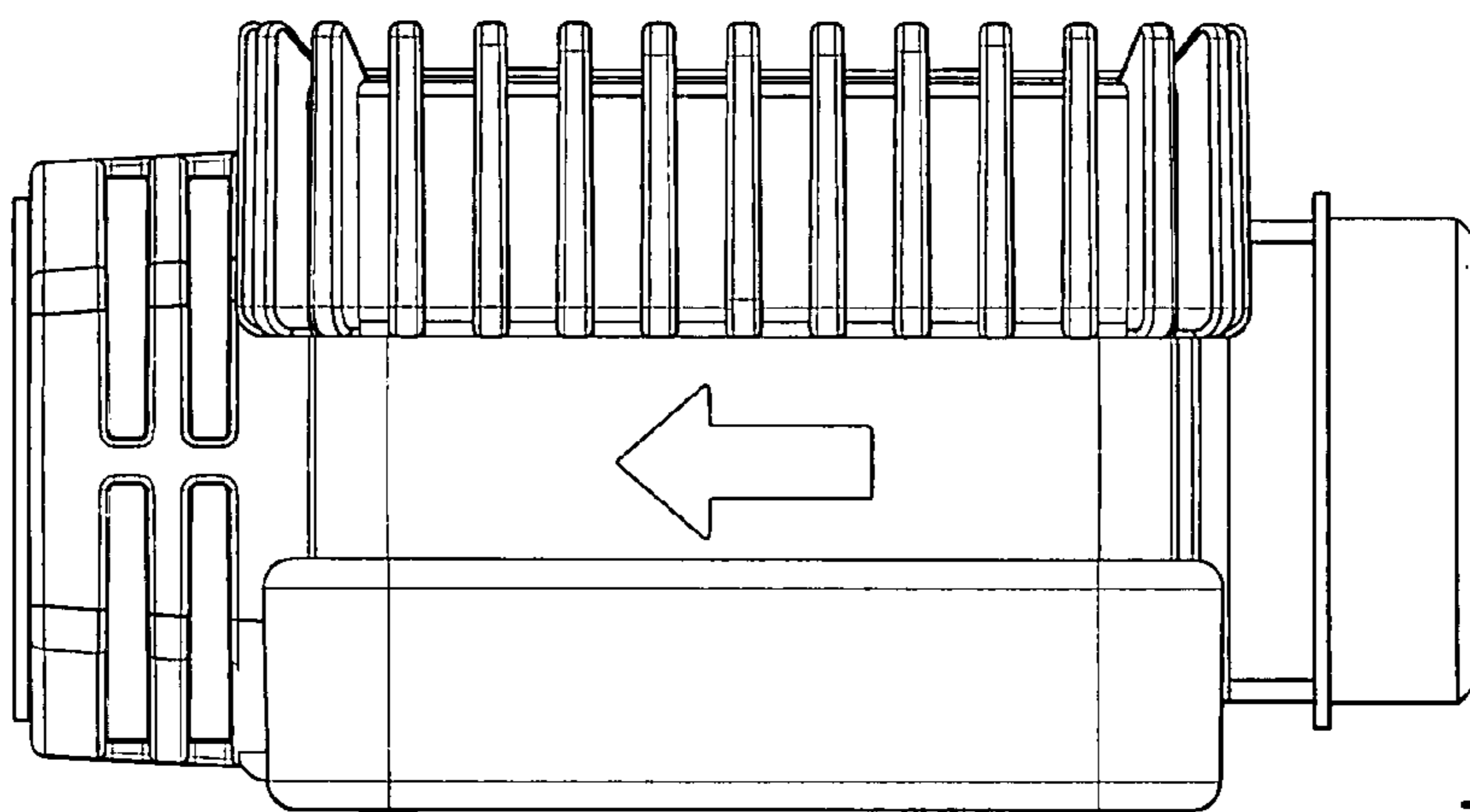


Fig. 5

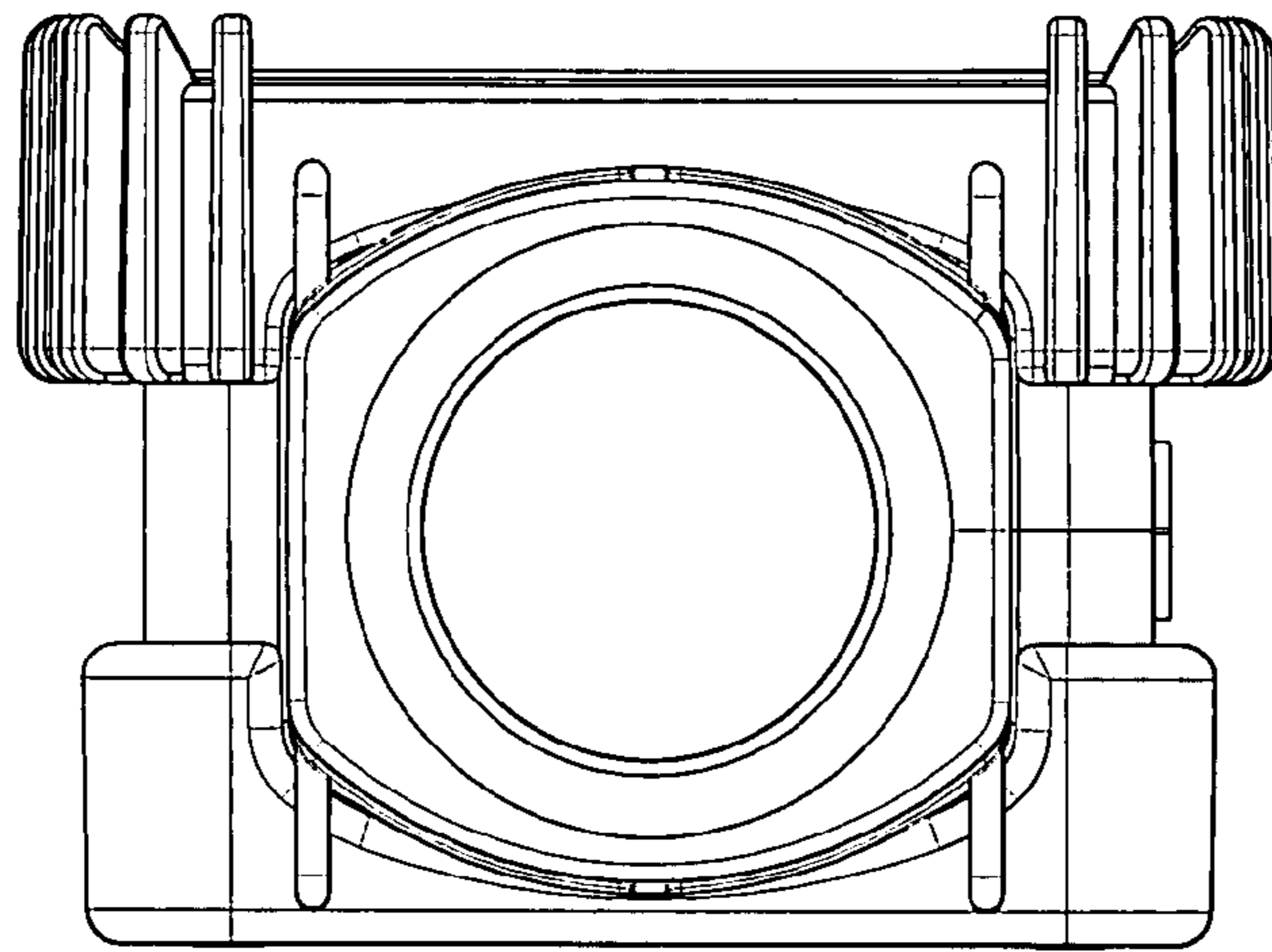


Fig. 6

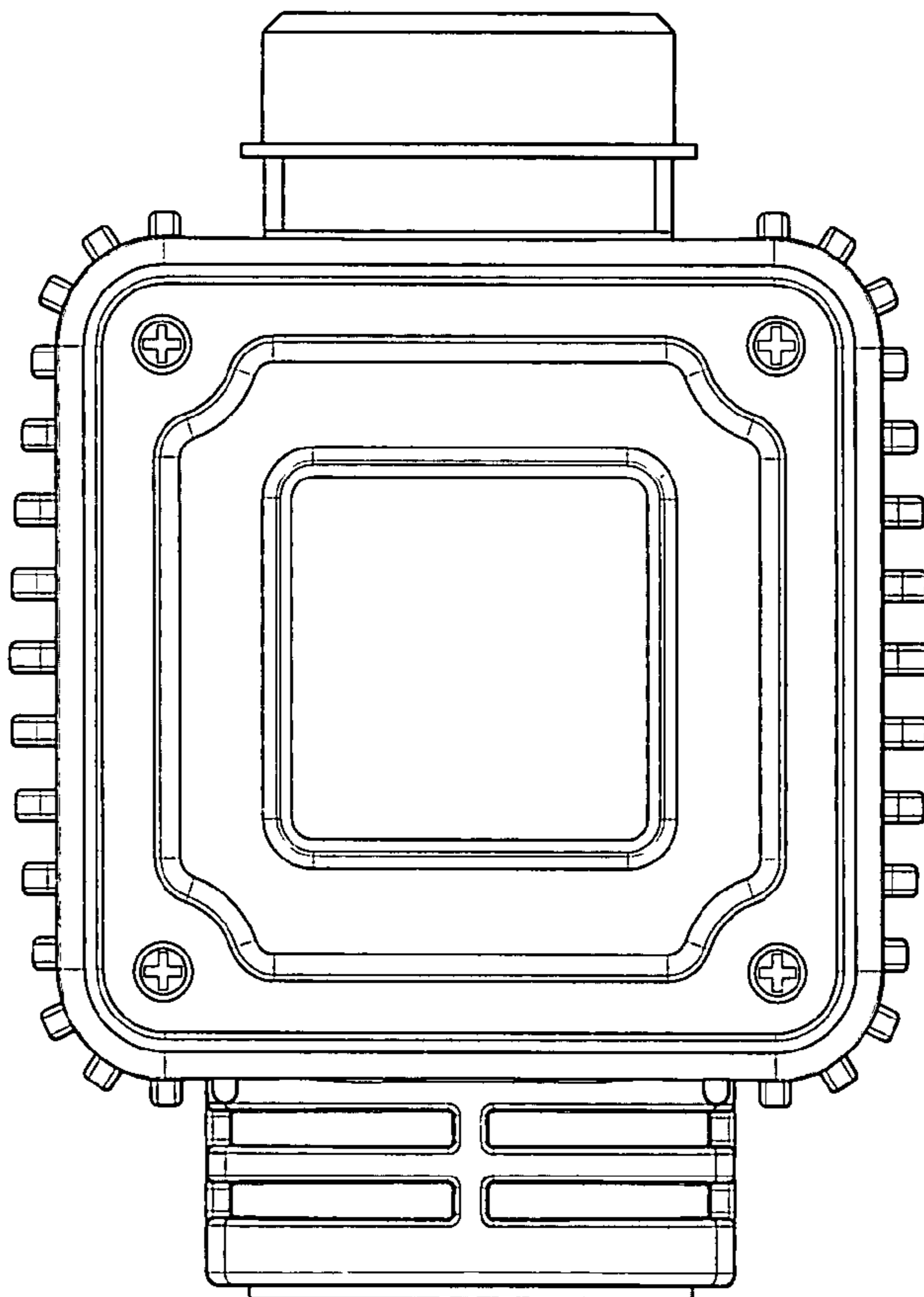


Fig. 7