



US00D575651S

(12) **United States Design Patent**  
**Carls et al.**

(10) **Patent No.:** **US D575,651 S**

(45) **Date of Patent:** **\*\* Aug. 26, 2008**

(54) **SCALE FOR WEIGHING PEOPLE**

D464,580 S \* 10/2002 Montagnino et al. .... D10/92

(75) Inventors: **Anne Carls**, Hamburg (DE); **Heiko Tullney**, Hamburg (DE)

\* cited by examiner

(73) Assignee: **SECA AG**, Reinach (CH)

*Primary Examiner*—Antoine D Davis

(74) *Attorney, Agent, or Firm*—Nixon & Vanderhye, PC

(\*\*) Term: **14 Years**

(57) **CLAIM**

(21) Appl. No.: **29/287,995**

The ornamental design for a “scale for weighing people,” as shown and described.

(22) Filed: **Oct. 10, 2007**

(30) **Foreign Application Priority Data**

**DESCRIPTION**

Jun. 6, 2007 (EM) ..... 000735881-0001

(51) **LOC (8) Cl.** ..... **10-04**

(52) **U.S. Cl.** ..... **D10/92**

(58) **Field of Classification Search** ..... D10/92;  
177/210 R, 210 C, 210 GM, 210 PP, 236–245,  
177/DIG. 3

See application file for complete search history.

FIG. 1 is a right, front, top perspective view of a scale for weighing people in accordance with our new design;

FIG. 2 is a right, rear, top perspective view thereof;

FIG. 3 is a right side elevational view thereof;

FIG. 4 is a left elevational view thereof;

FIG. 5 is a front elevational view thereof;

FIG. 6 is a rear elevational view thereof;

FIG. 7 is a top elevational view thereof; and,

FIG. 8 is a bottom elevational view thereof.

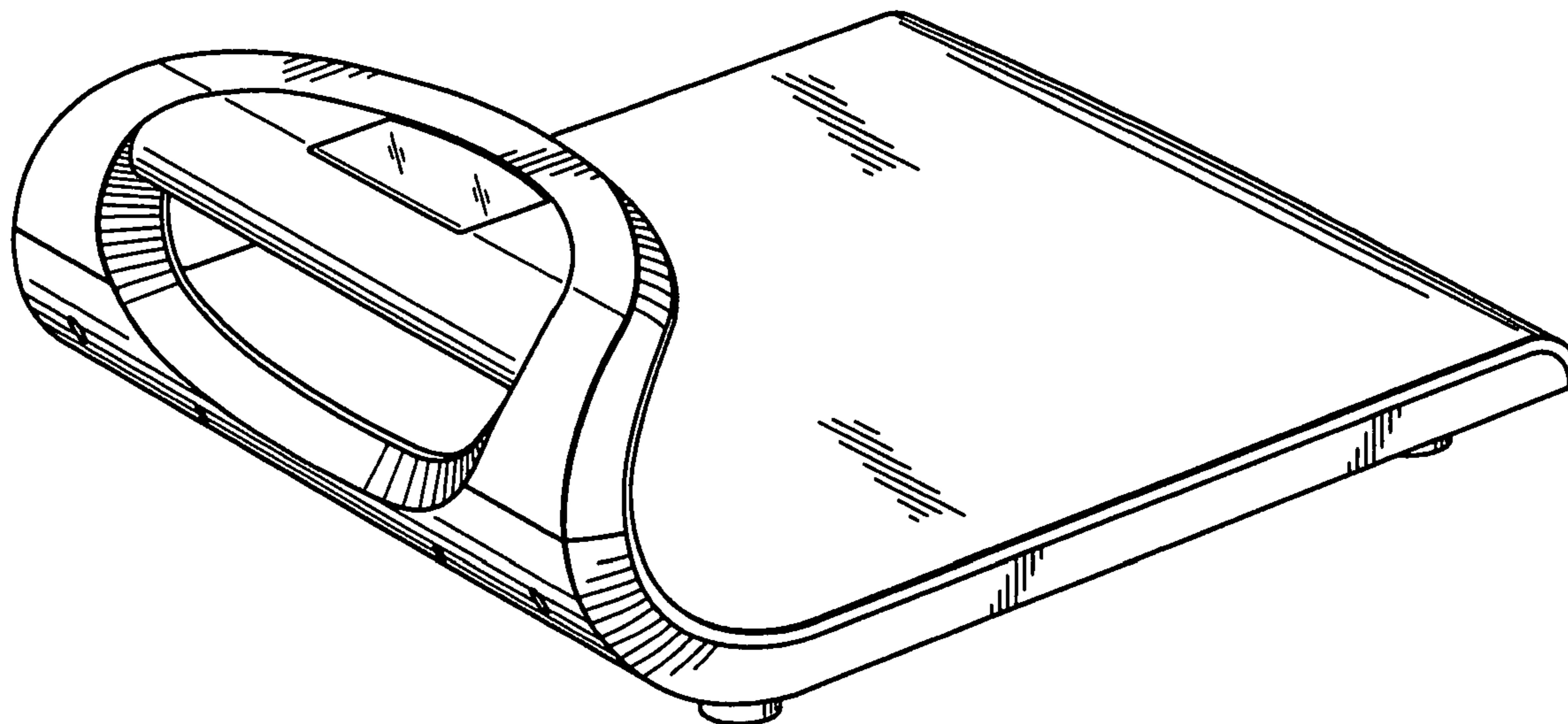
(56) **References Cited**

**U.S. PATENT DOCUMENTS**

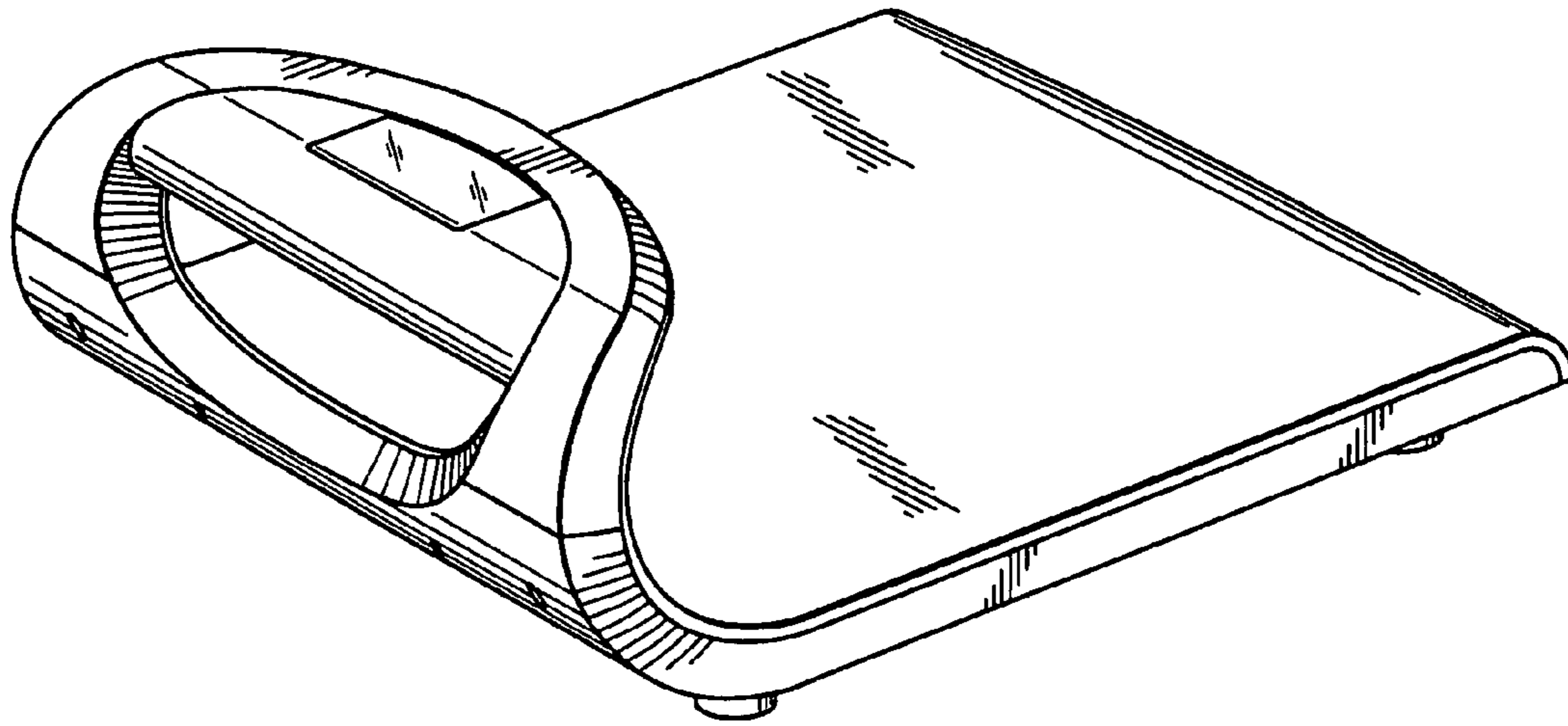
D436,875 S \* 1/2001 Dingler ..... D10/92

D455,667 S \* 4/2002 Montagnino et al. .... D10/92

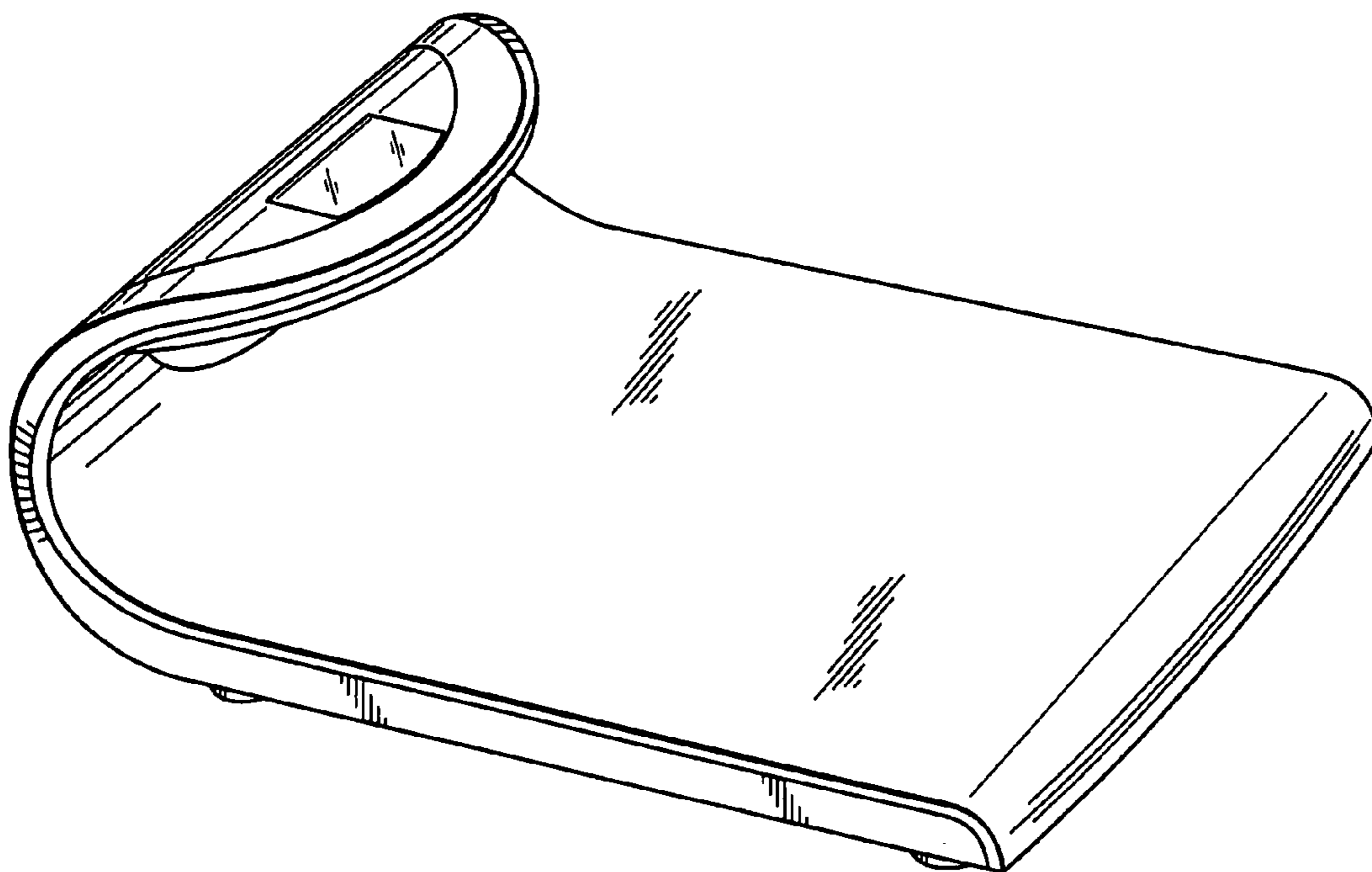
**1 Claim, 5 Drawing Sheets**



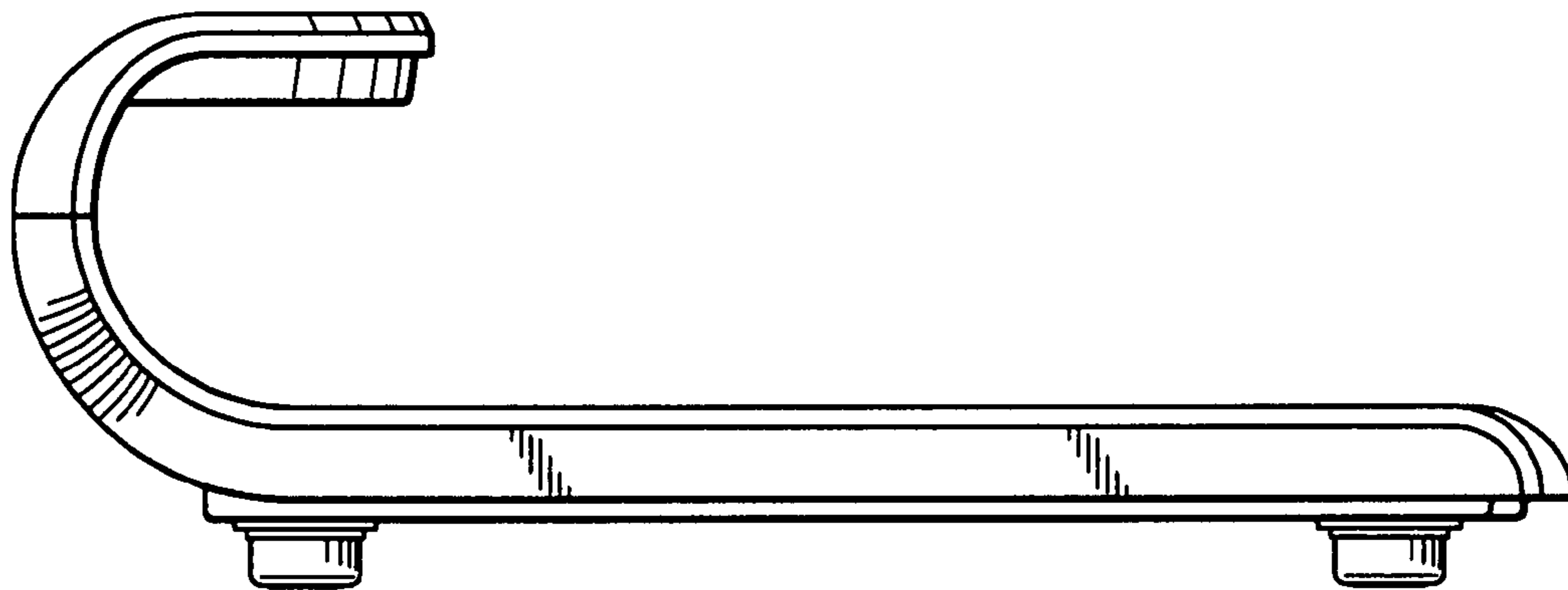
***Fig. 1***



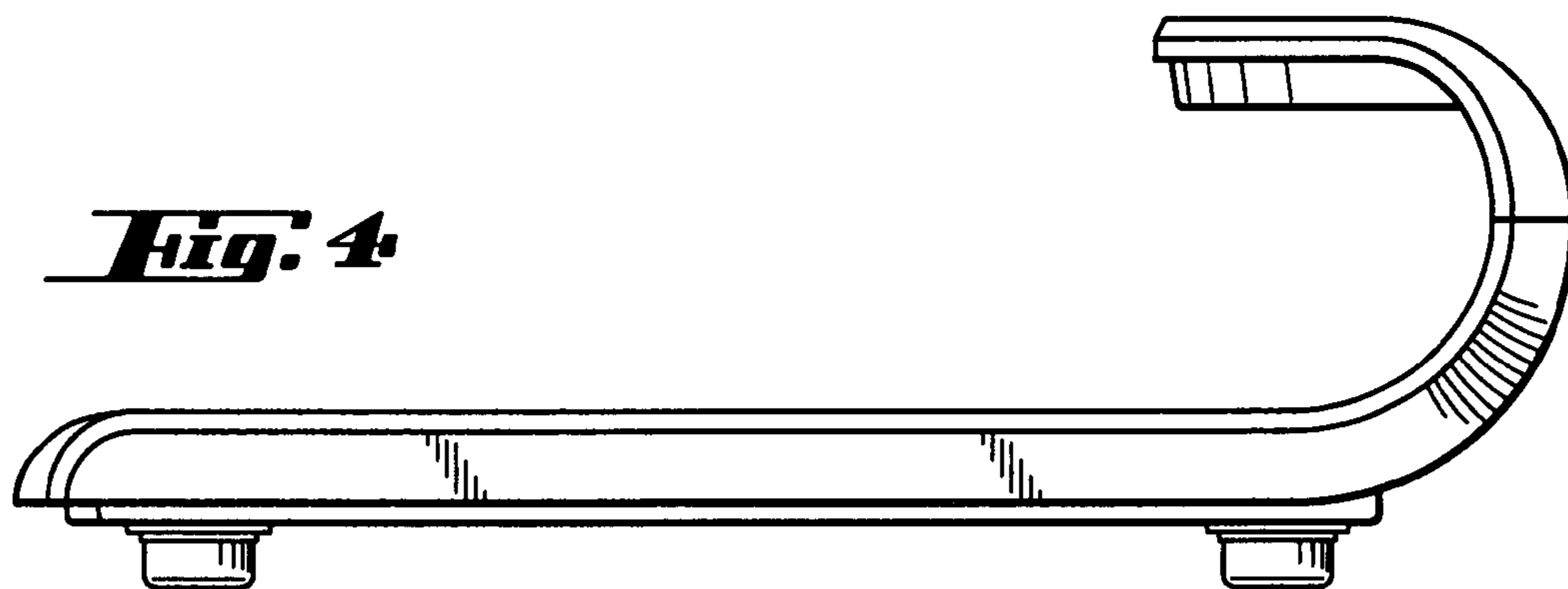
***Fig. 2***



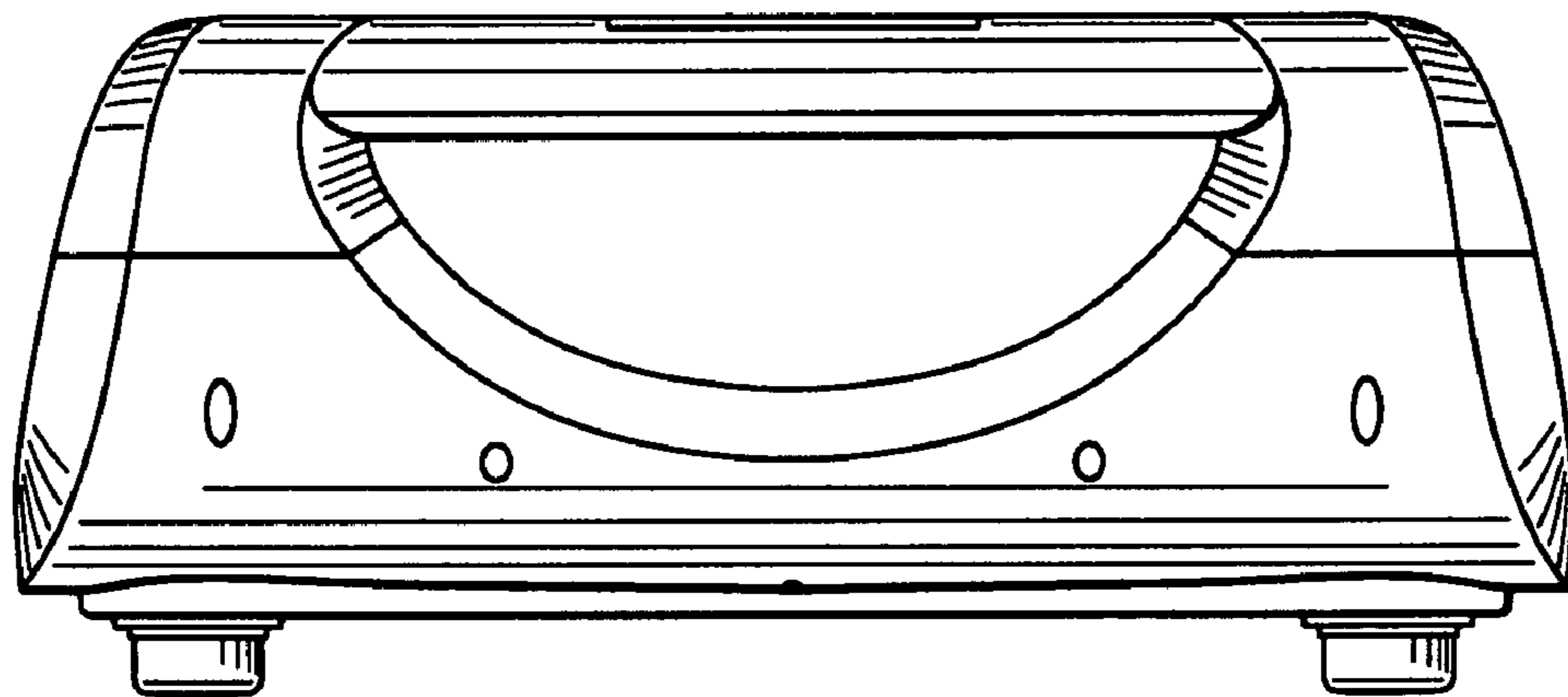
***Fig. 3***



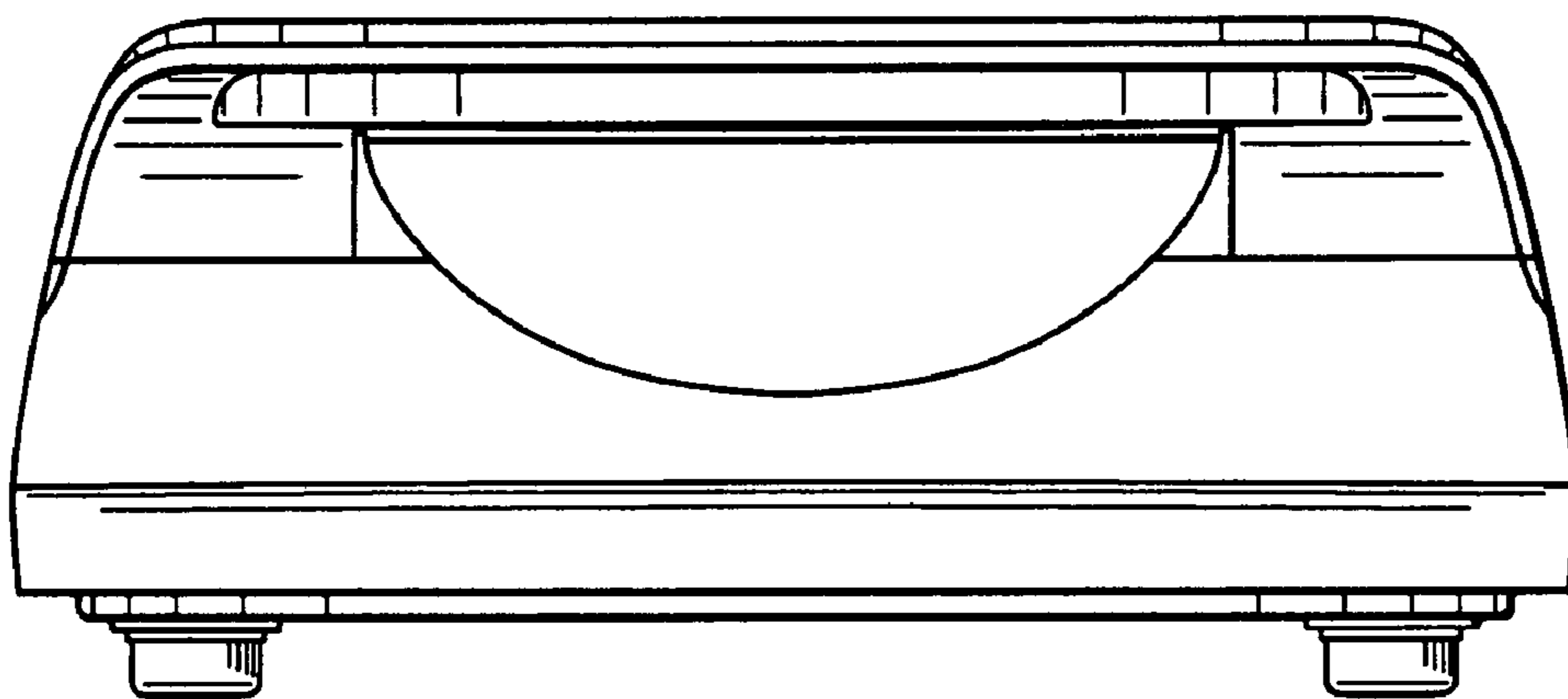
***Fig. 4***



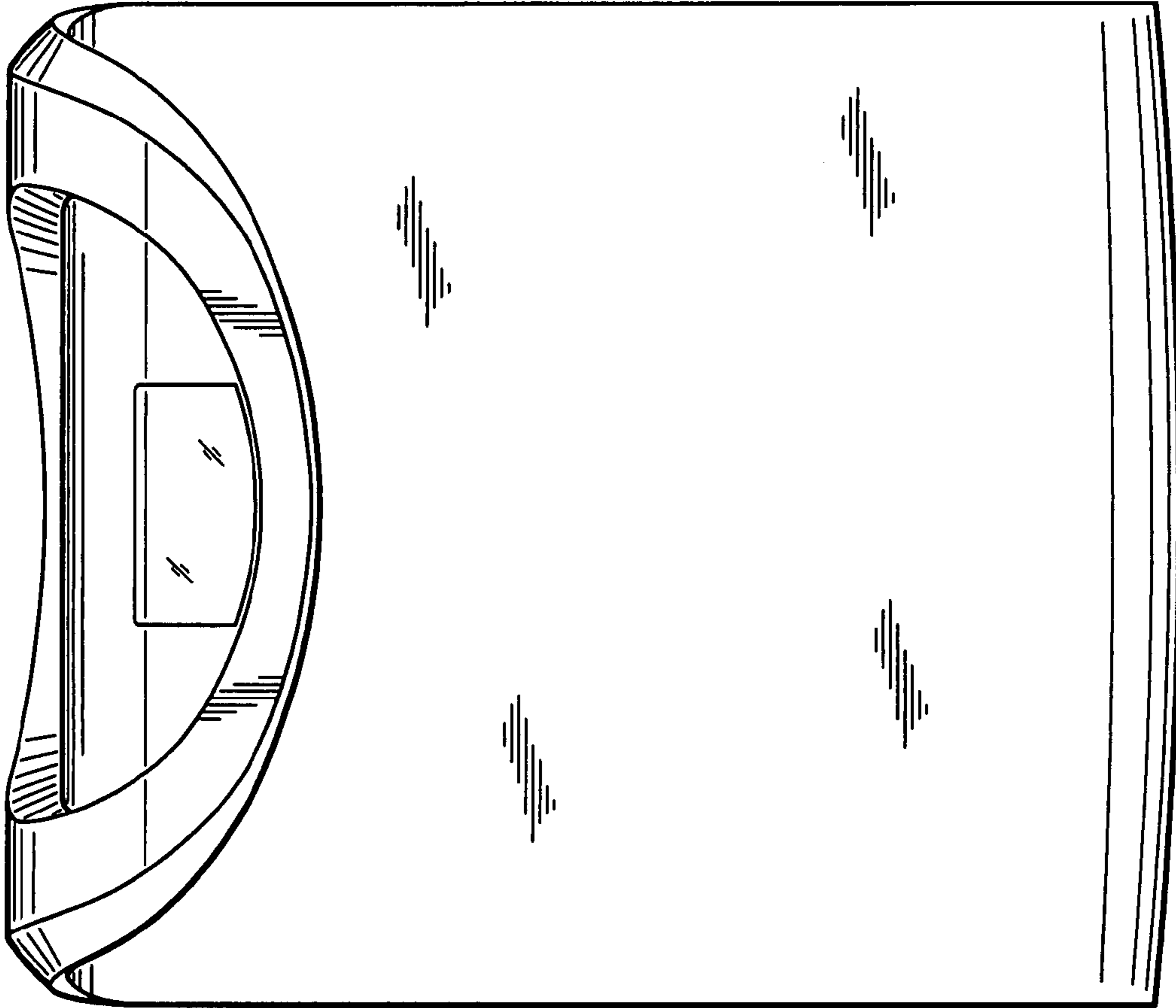
***Fig. 5***



***Fig. 6***



***Fig. 7***



***Fig. 8***

