



US00D575650S

(12) **United States Design Patent**
Lang et al.

(10) **Patent No.:** **US D575,650 S**
(45) **Date of Patent:** **** Aug. 26, 2008**

(54) **GAS DETECTOR**

(57) **CLAIM**

(75) Inventors: **Steve Lang**, Lawrence, KS (US); **Barry Siskind**, Henderson, NV (US)

The ornamental design for a gas detector, as shown and described.

(73) Assignee: **Marche Designs**, Lawrence, KS (US)

DESCRIPTION

(**) Term: **14 Years**

(21) Appl. No.: **29/289,998**

(22) Filed: **Aug. 9, 2007**

(51) **LOC (8) Cl.** **10-04**

(52) **U.S. Cl.** **D10/81**

(58) **Field of Classification Search** D10/81;
73/1.06, 23.31, 204.24, 25.01, 25.05; 204/228.3,
204/258; 422/95

See application file for complete search history.

FIG. 1 is a top and front and right side perspective view of the gas detector showing the new design;

FIG. 2 is a right side view of the embodiment of FIG. 1;

FIG. 3 is a front view of the embodiment of FIG. 1;

FIG. 4 is a top view of the embodiment of FIG. 1;

FIG. 5 is rear elevation view of the embodiment of FIG. 1;

FIG. 6 is a left side view of the embodiment of FIG. 1;

FIG. 7 is a bottom view of the embodiment of FIG. 1;

FIG. 8 is a top and front and right side perspective view of the gas detector showing the new design and having a cap covering the top of the gas detector;

FIG. 9 is a right side view of the embodiment of FIG. 8;

FIG. 10 is a front view of the embodiment of FIG. 8;

FIG. 11 is a top view of the embodiment of FIG. 8;

FIG. 12 is rear elevation view of the embodiment of FIG. 8;

FIG. 13 is a left side view of the embodiment of FIG. 8; and,

FIG. 14 is a bottom view of the embodiment of FIG. 8.

(56) **References Cited**

U.S. PATENT DOCUMENTS

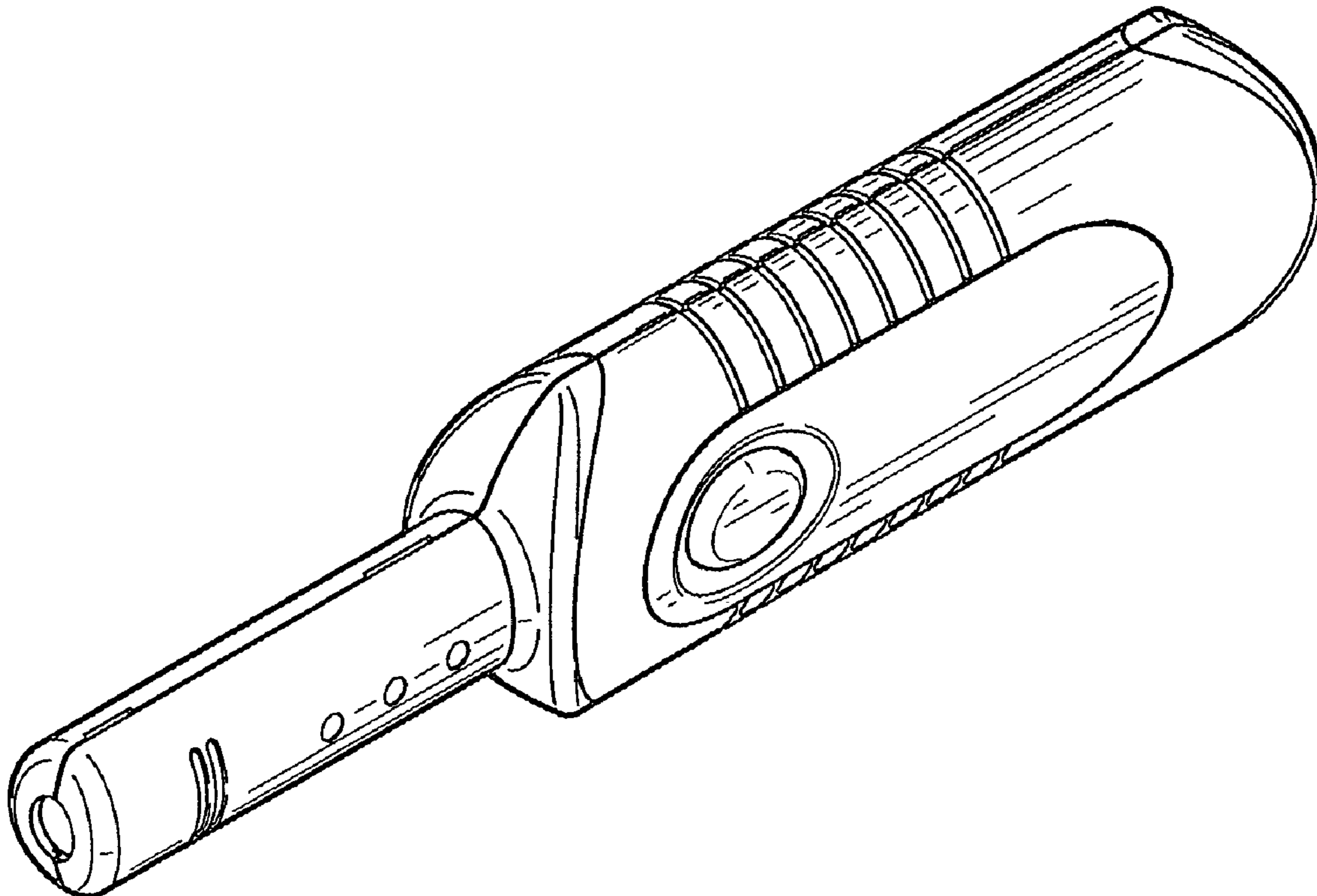
D386,700 S *	11/1997	Wright	D10/81
D503,353 S *	3/2005	Singer et al.	D10/81
7,146,841 B2 *	12/2006	Forrest	73/1.06

* cited by examiner

Primary Examiner—Antoine D Davis

(74) *Attorney, Agent, or Firm*—Shughart Thomson & Kilroy
PC

1 Claim, 4 Drawing Sheets



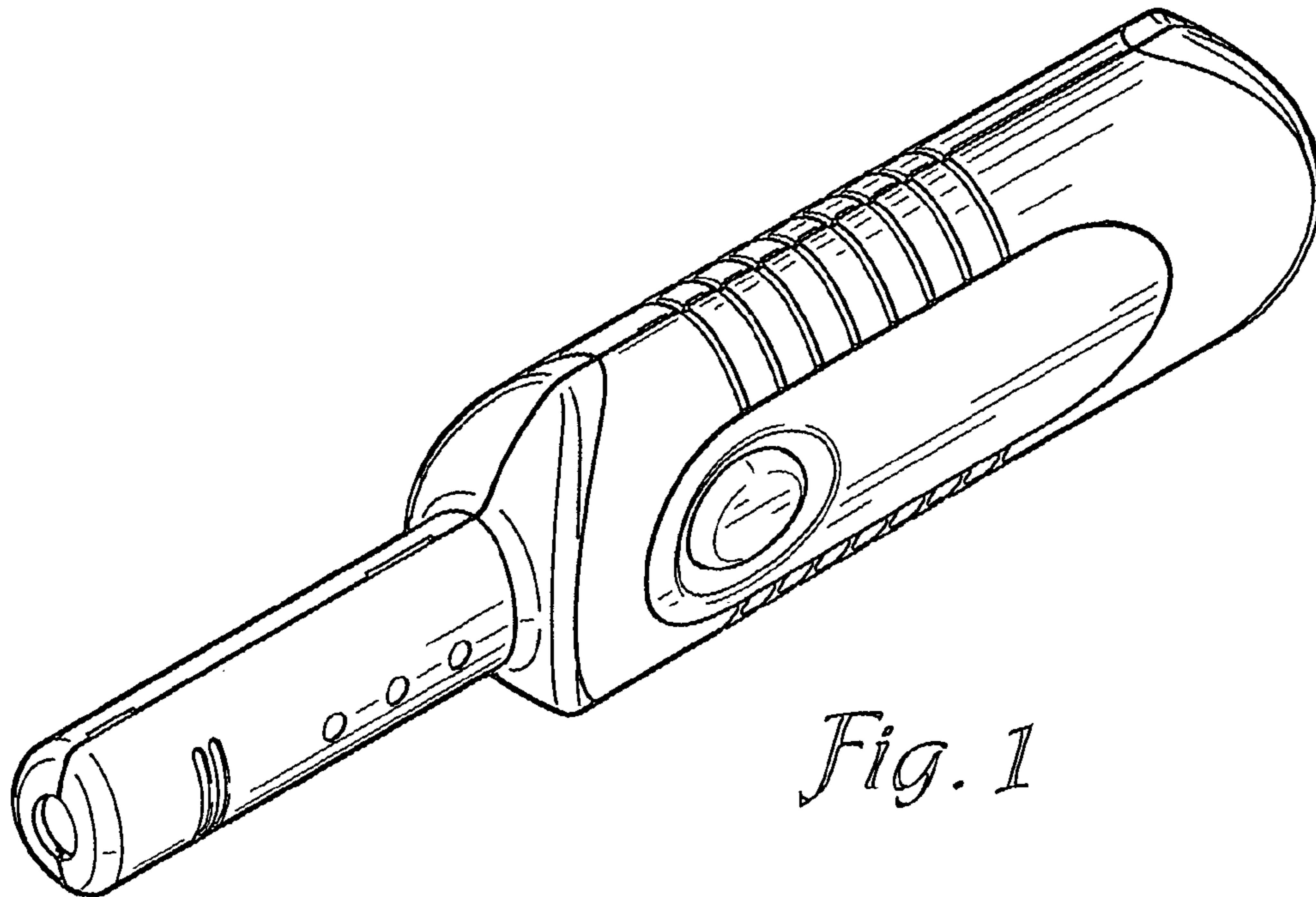


Fig. 1

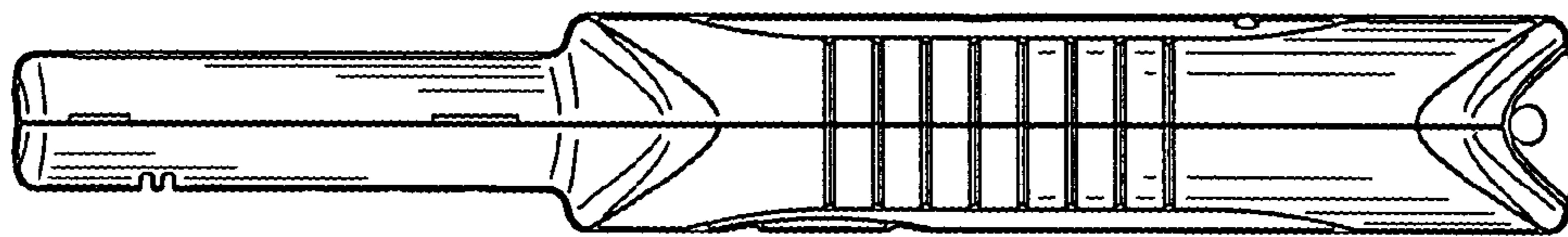


Fig. 2

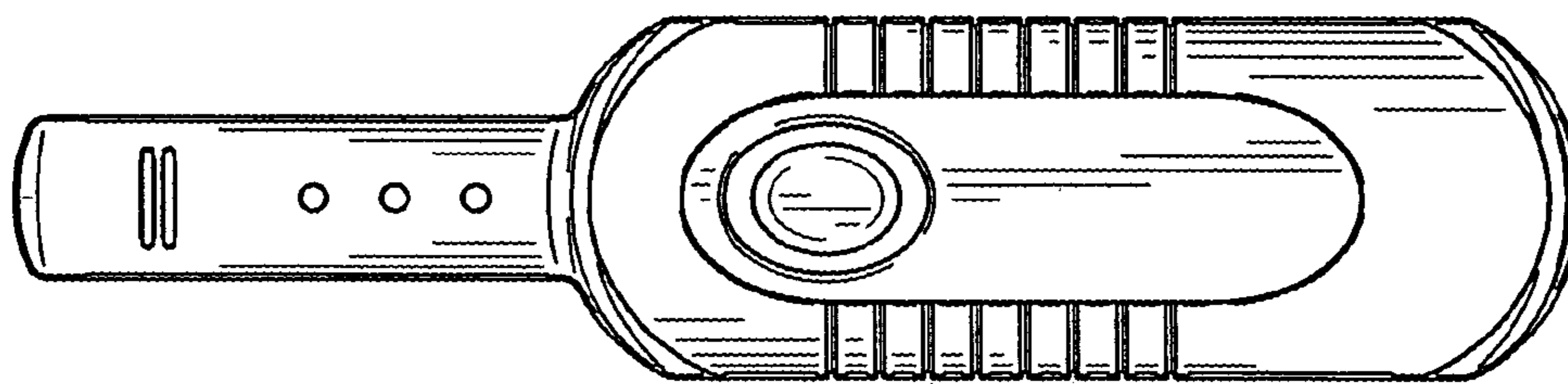


Fig. 3

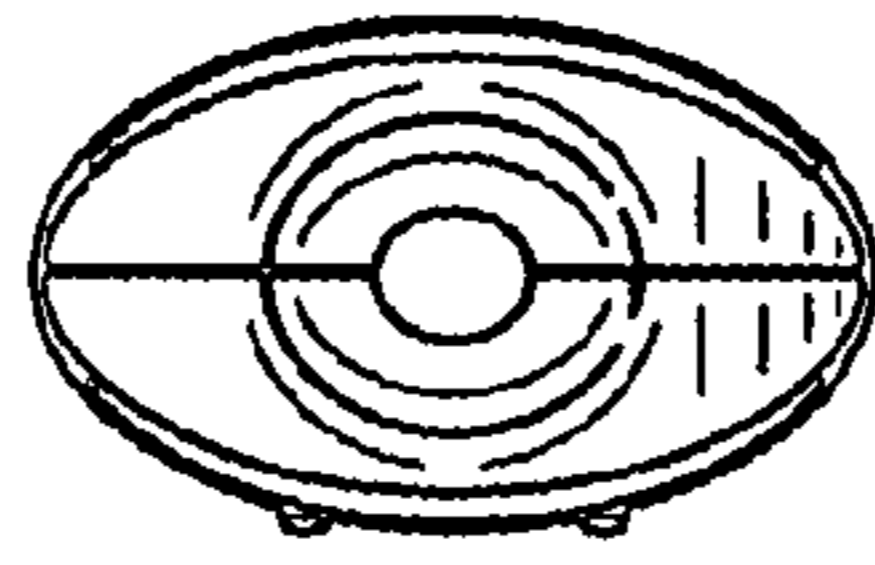


Fig. 4

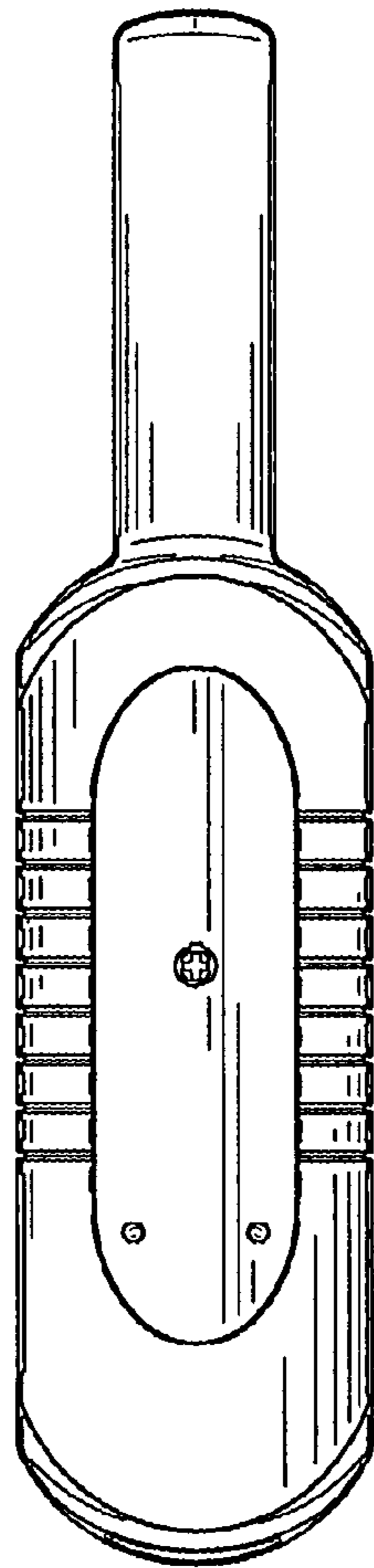


Fig. 5

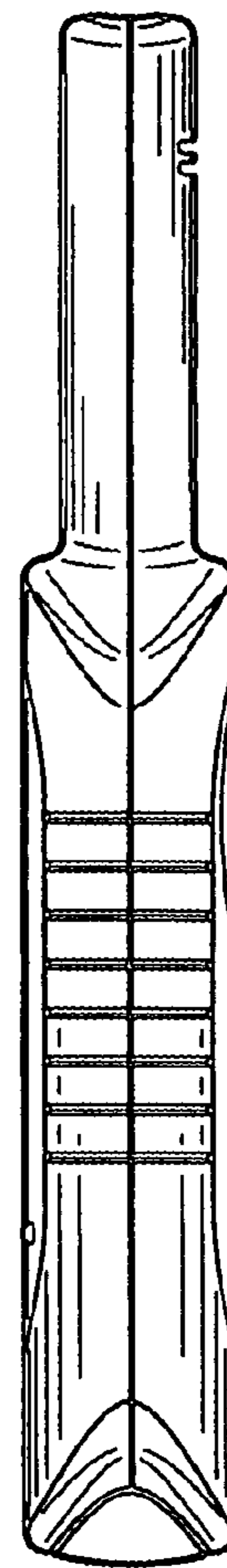


Fig. 6

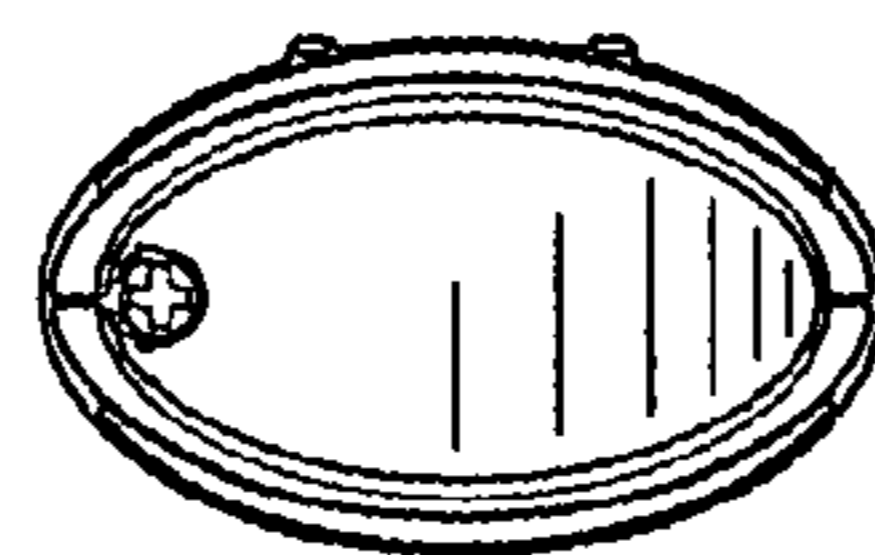


Fig. 7

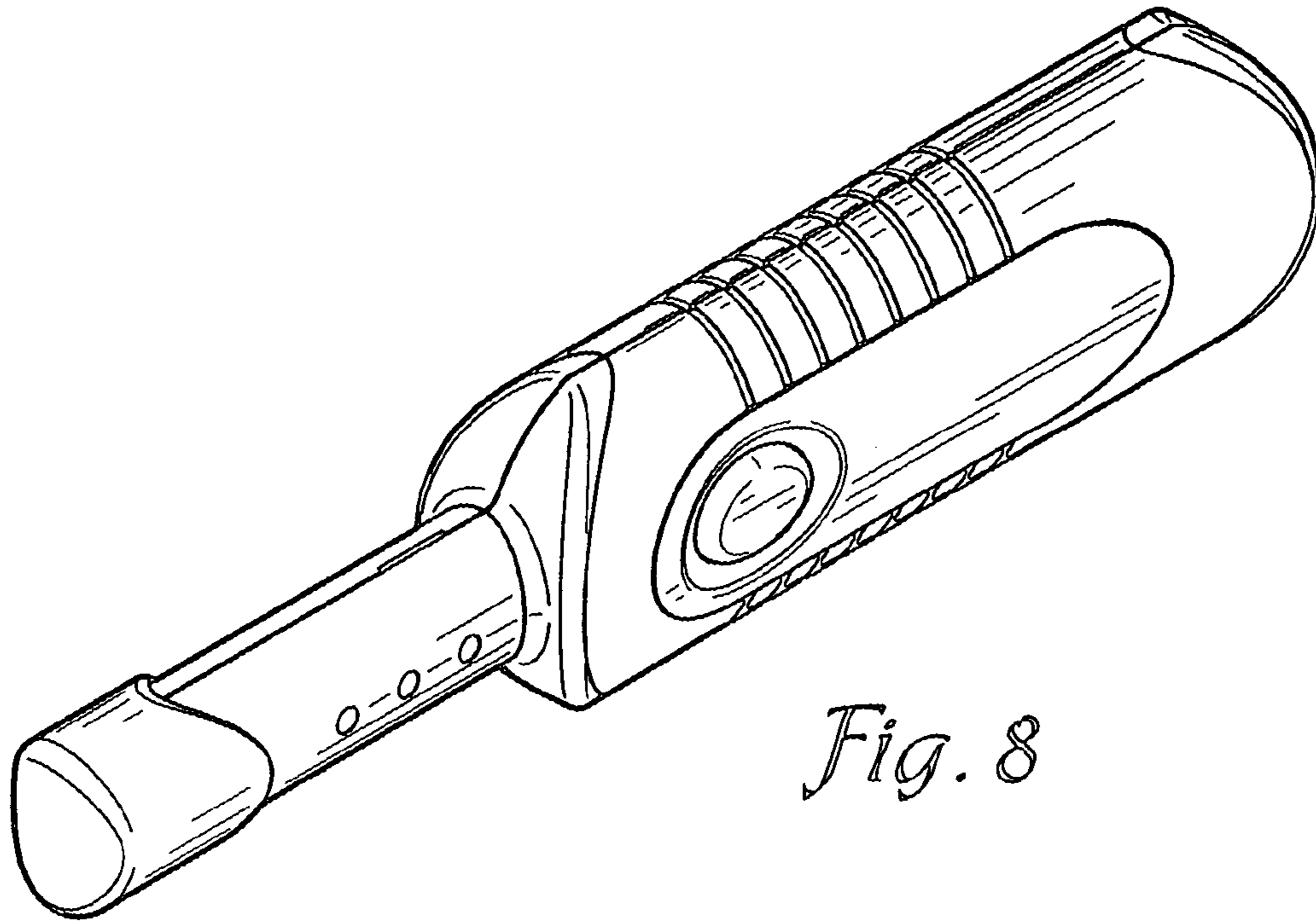


Fig. 8

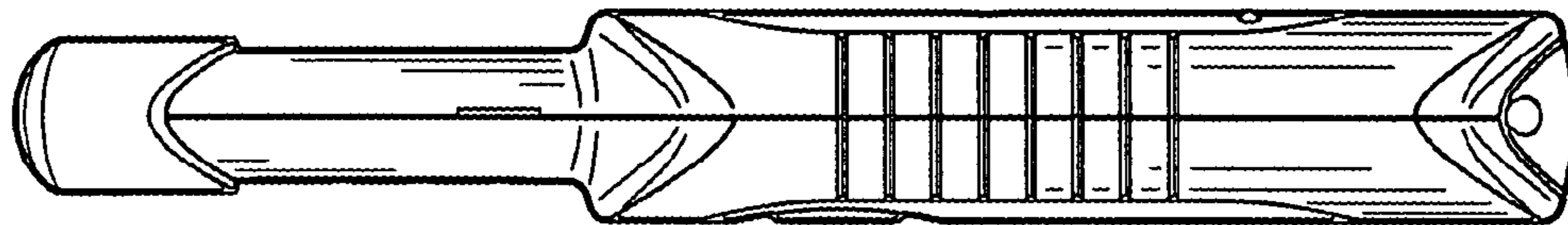


Fig. 9

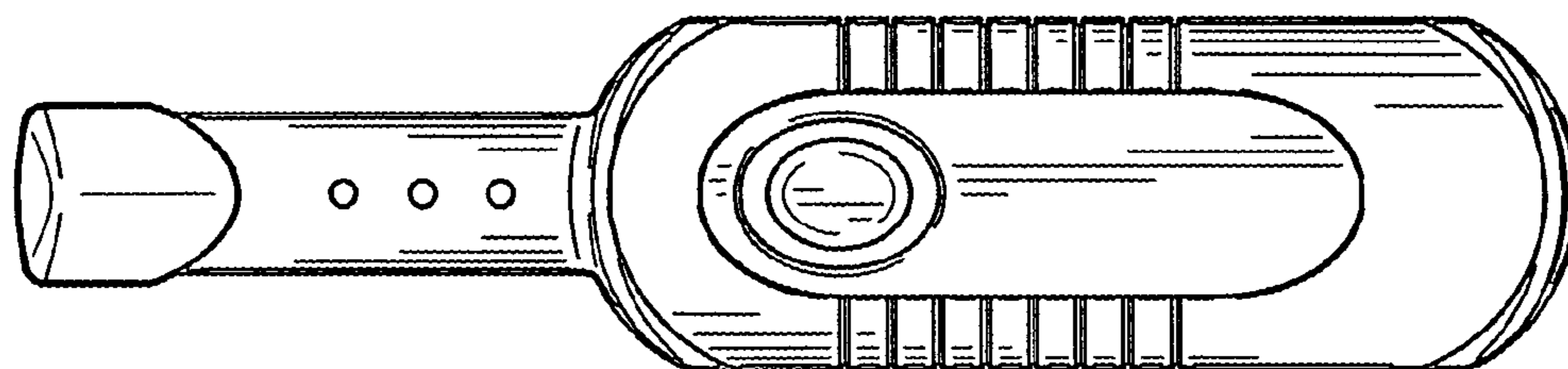


Fig. 10

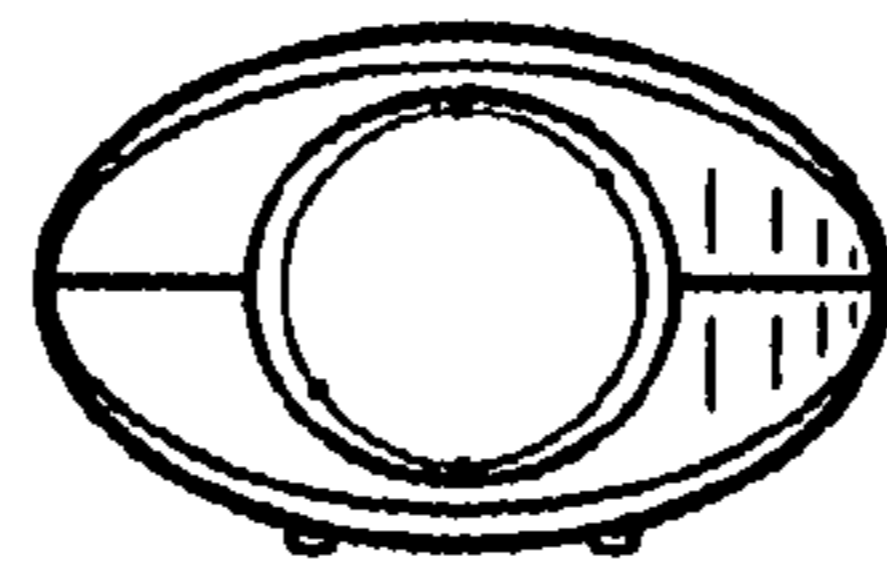


Fig. 11

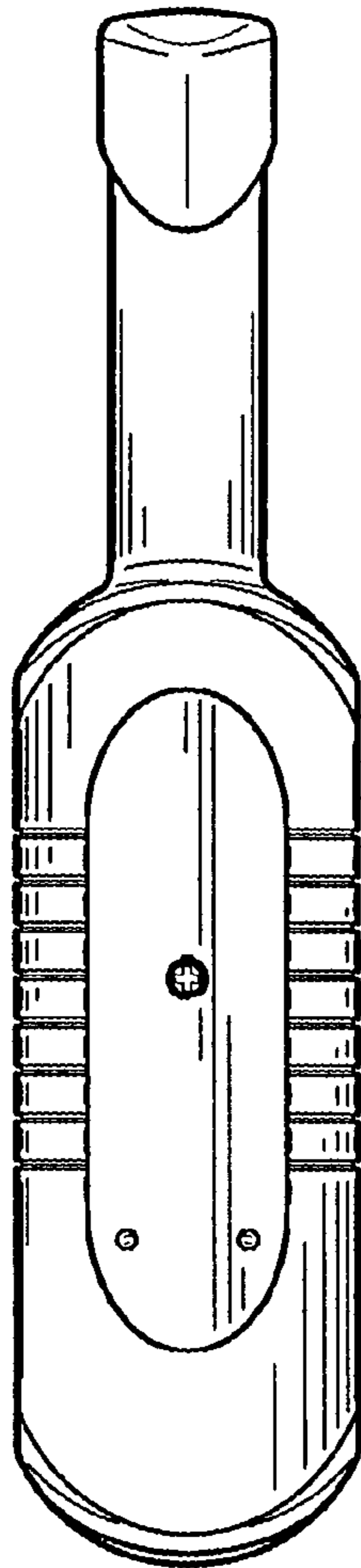


Fig. 12

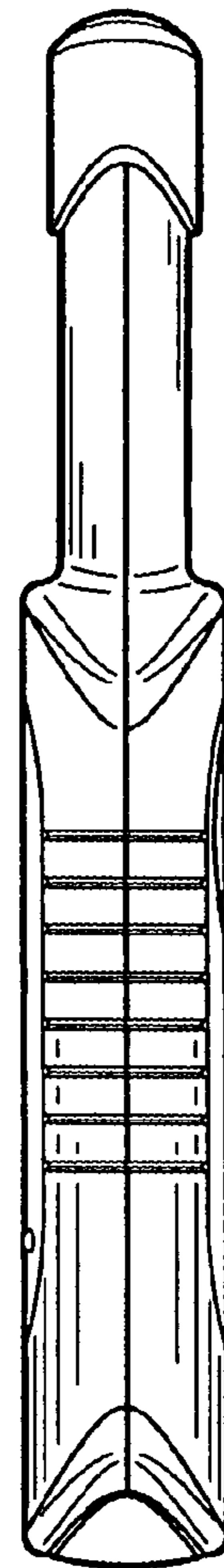


Fig. 13

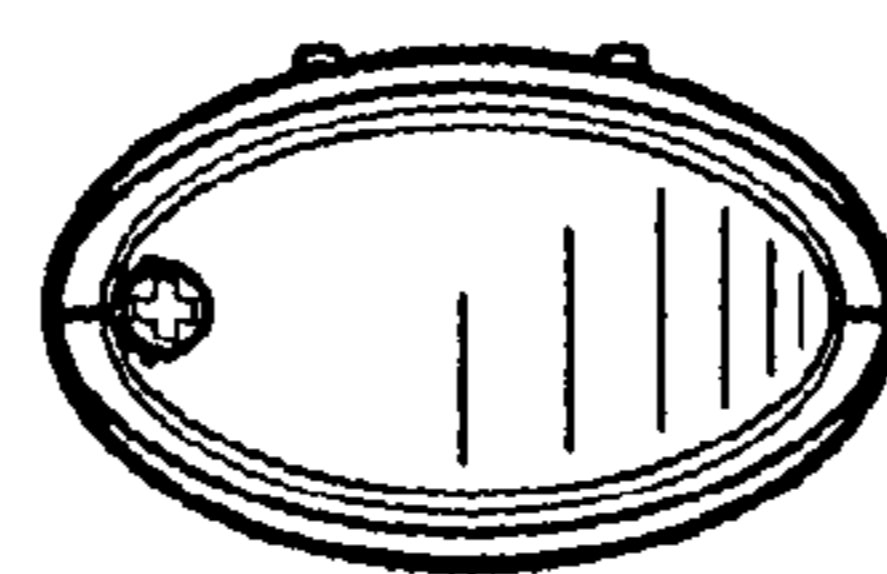


Fig. 14