



US00D575649S

(12) **United States Design Patent**
Scalisi et al.

(10) **Patent No.:** **US D575,649 S**

(45) **Date of Patent:** **** Aug. 26, 2008**

(54) **LOCATION TRACKING DEVICE**

(75) Inventors: **Joseph F. Scalisi**, Yorba Linda, CA (US);
David M. Morse, Laguna Hills, CA
(US); **Desiree Mejia**, Redondo Beach,
CA (US)

(73) Assignee: **Location Based Technologies, Inc.**,
Anaheim, CA (US)

(**) Term: **14 Years**

(21) Appl. No.: **29/295,685**

(22) Filed: **Oct. 3, 2007**

(51) **LOC (8) Cl.** **10-04**

(52) **U.S. Cl.** **D10/65; D10/70**

(58) **Field of Classification Search** D10/65,
D10/70; 356/5.15, 4.01, 5.01, 5.08, 4.05,
356/5.07, 5.09, 5.12, 28.5, 345, 375, 3.01,
356/5.06, 128-155, 399, 400; 385/83, 97,
385/98, 99, 134-139; 701/211-213; 702/150,
702/185, 208; 264/1.24-1.25; 33/276, 277,
33/281, 285, 286, 290, 291-299; 340/573.1-573.4,
340/539, 825.36, 825.46, 825.49, 357.02,
340/375.07-357.09

See application file for complete search history.

(56) **References Cited**

U.S. PATENT DOCUMENTS

D346,125 S * 4/1994 Cote et al. D10/65

5,894,275 A * 4/1999 Swingle 340/692
6,302,554 B1 * 10/2001 Holce 340/573.3
2006/0006998 A1 * 1/2006 Carlson 340/539.12
2006/0087440 A1 * 4/2006 Klein 340/573.3

* cited by examiner

Primary Examiner—Antoine D Davis

(74) *Attorney, Agent, or Firm*—Law Office of Robert E.
Kasody, P.C.; Robert E. Kasody

(57) **CLAIM**

The ornamental design for a location tracking device, as
shown and described.

DESCRIPTION

FIG. 1 is a perspective view showing the front and left side of
the location tracking device.

FIG. 2 is a front elevational view of the location tracking
device.

FIG. 3 is a top plan view of the location tracking device.

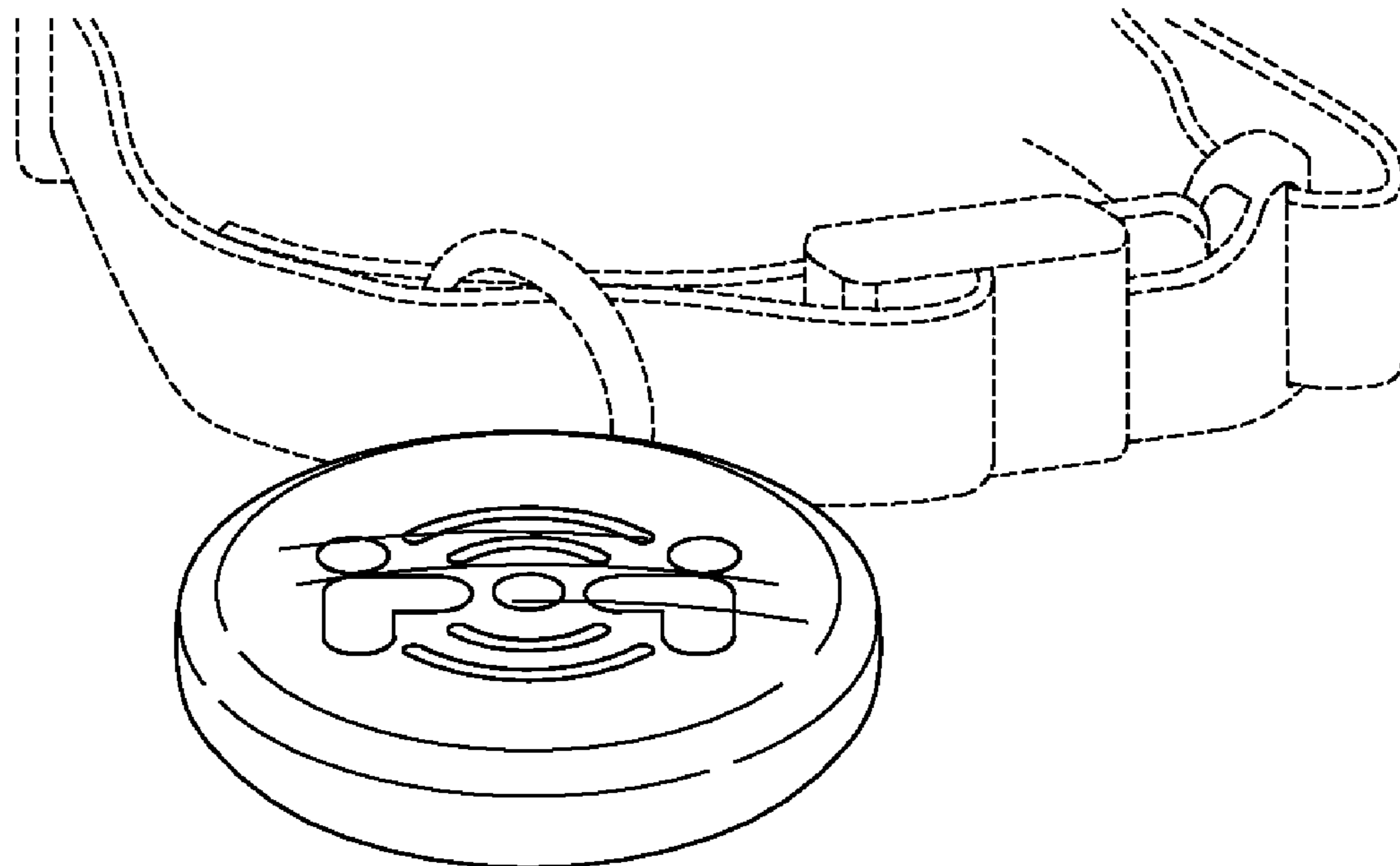
FIG. 4 is a side elevational view of the location tracking
device.

FIG. 5 is a rear elevational view of the location tracking
device; and,

FIG. 6 is a bottom plan view of the location tracking device.

The broken lines showing of a necklace passing through a
ring attached to the location tracking device is for illustrative
purposes only and forms no part of the claimed design.

1 Claim, 2 Drawing Sheets



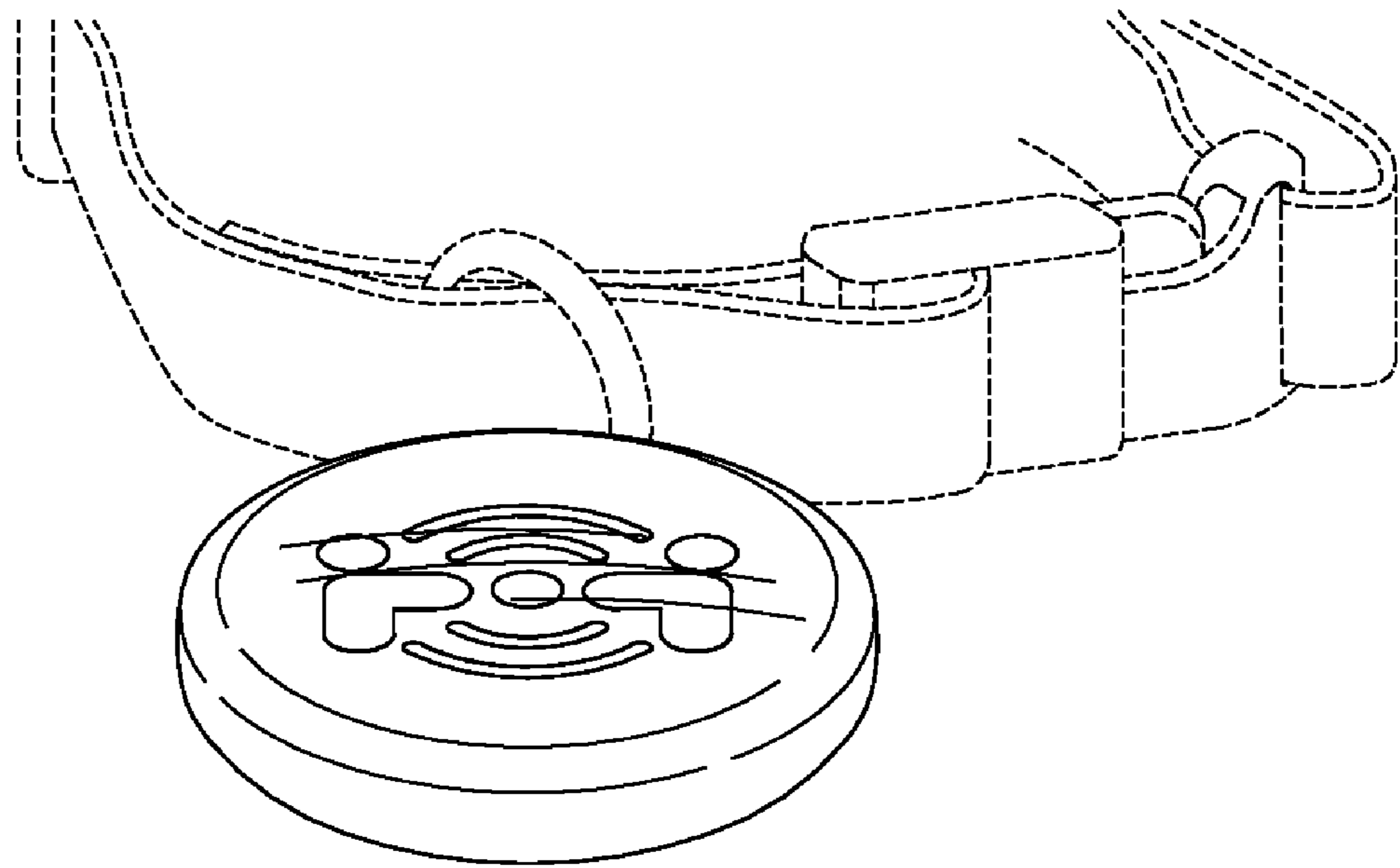


FIG. 1

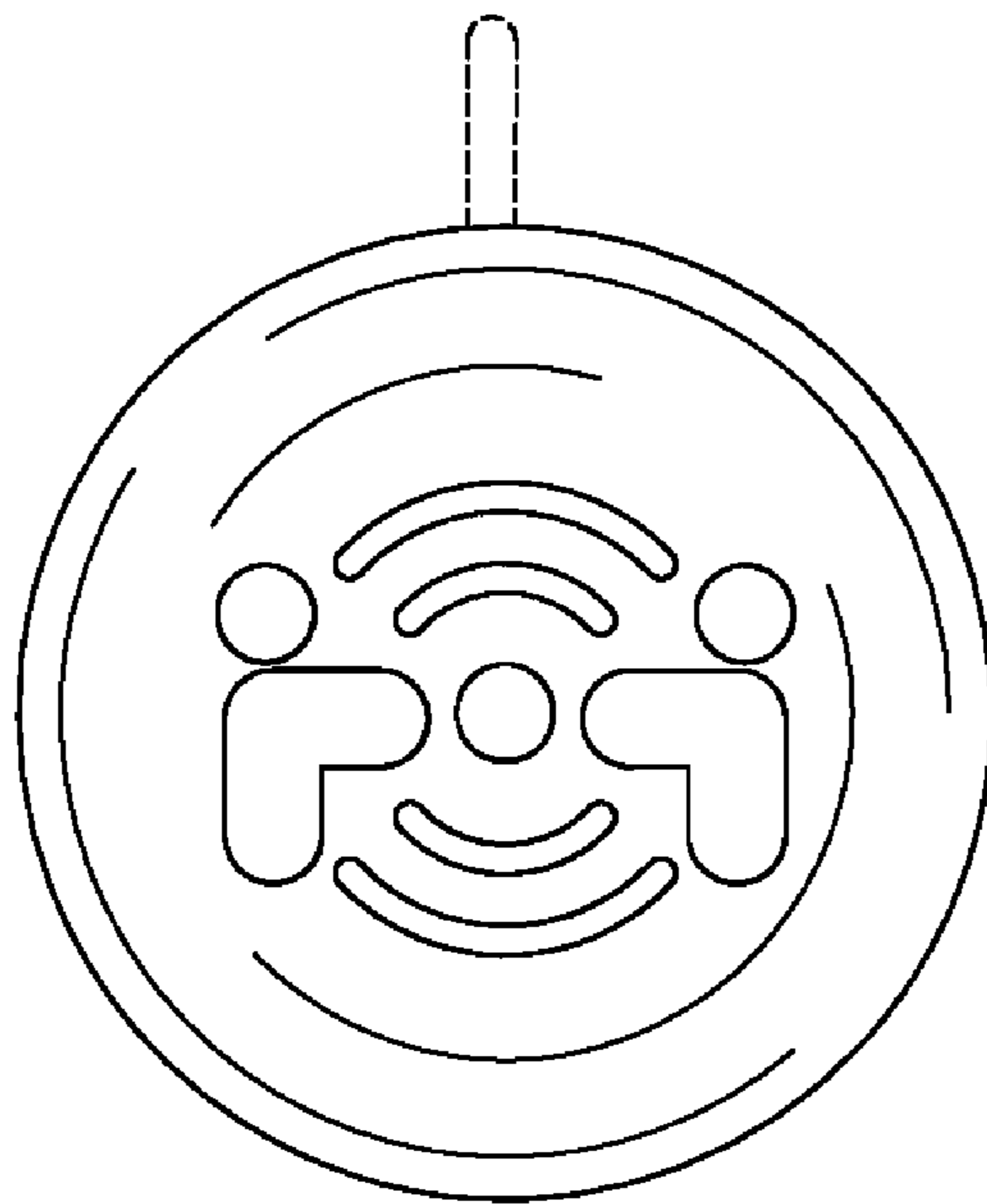


FIG. 2



FIG. 3

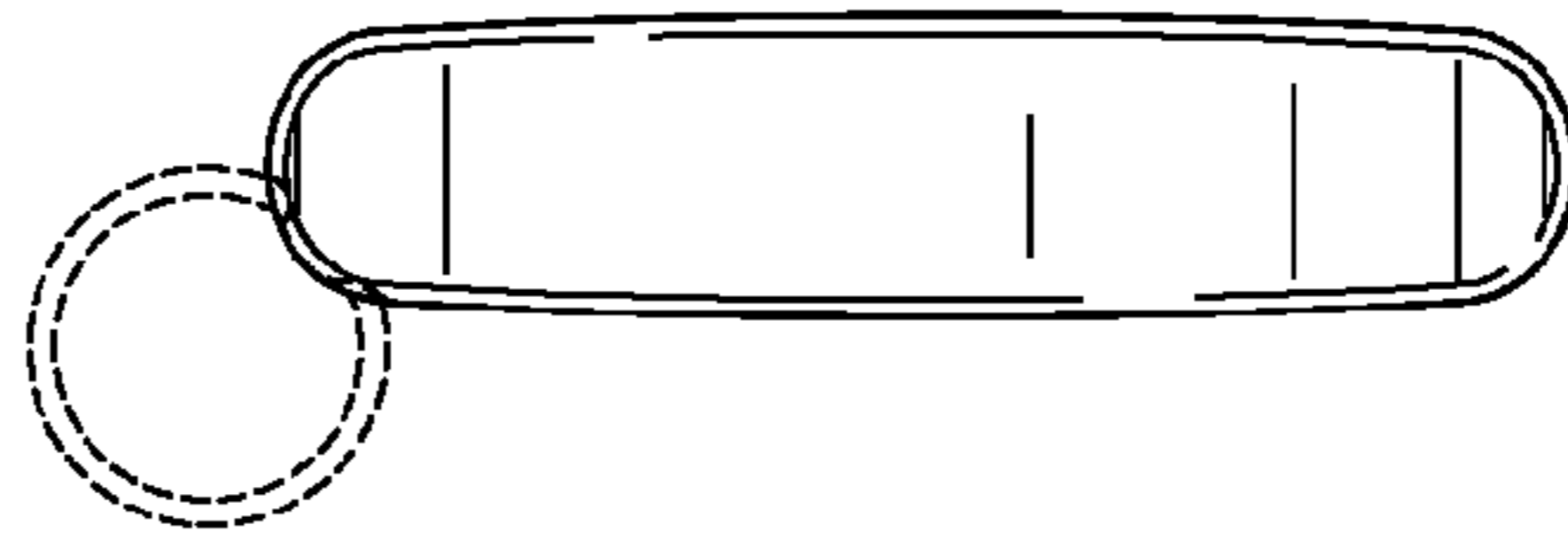


FIG. 4

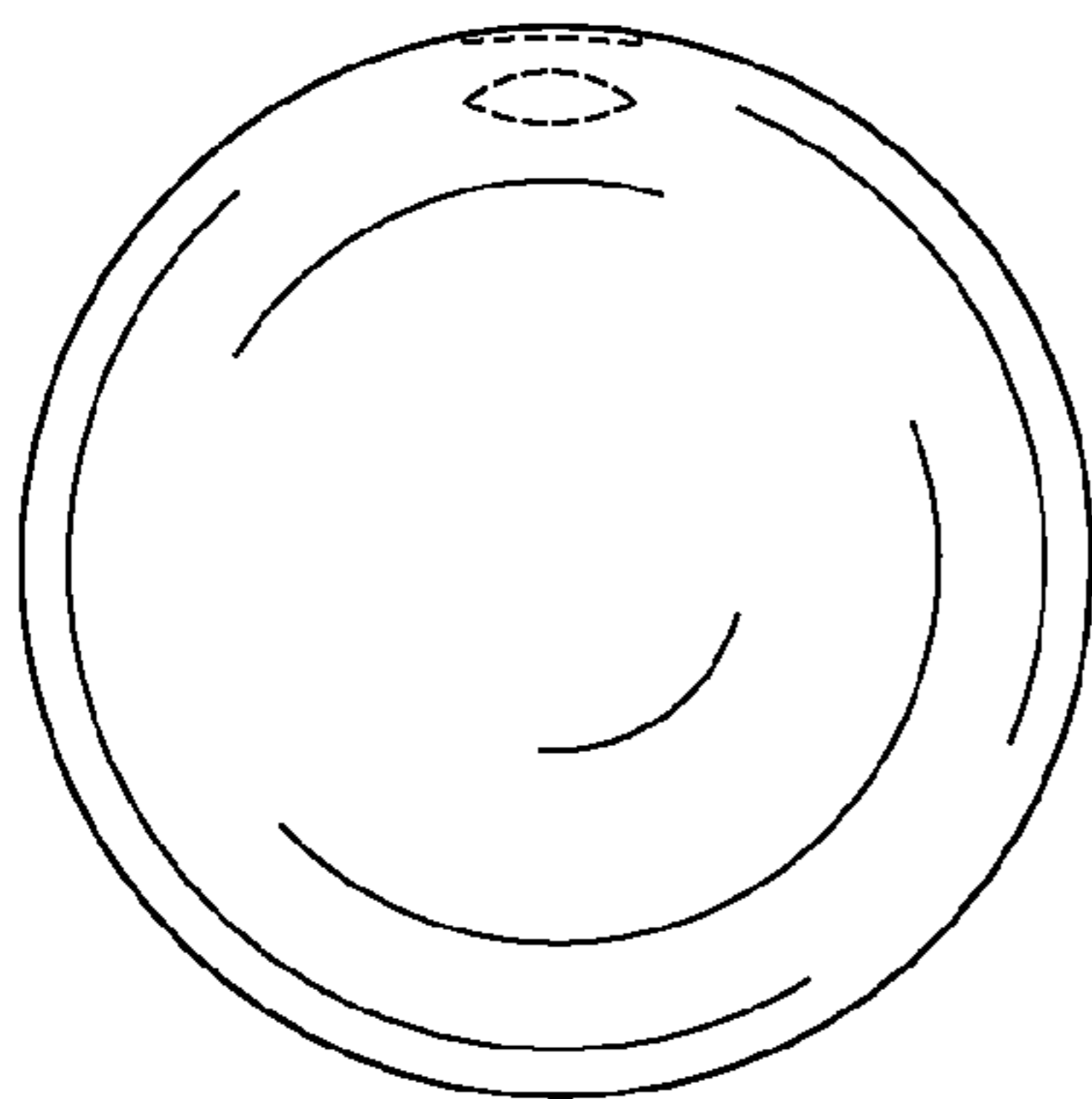


FIG. 5

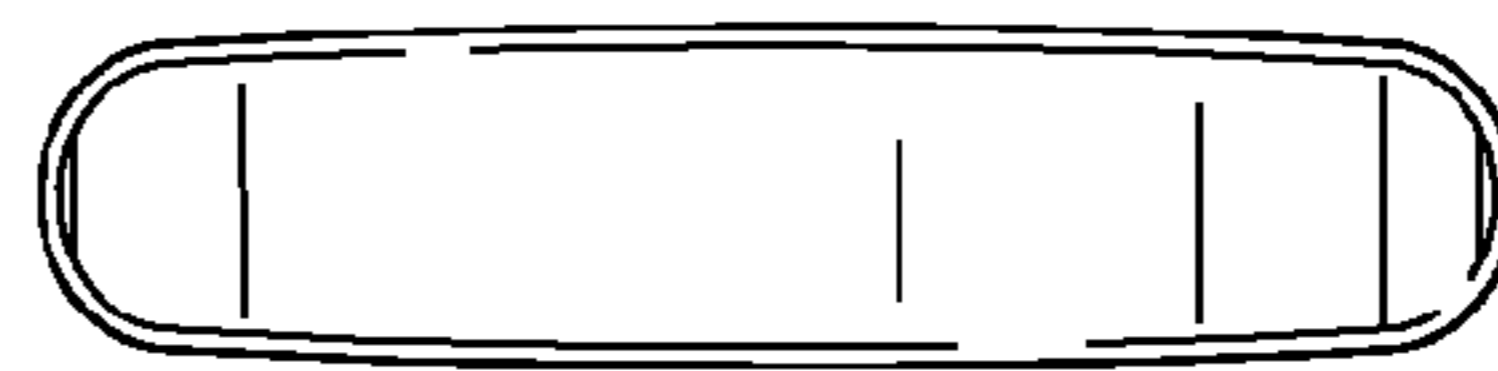


FIG. 6