



US00D575648S

(12) **United States Design Patent**  
**Haas et al.**

(10) **Patent No.:** **US D575,648 S**

(45) **Date of Patent:** **\*\* Aug. 26, 2008**

(54) **PROOF AND PAN TEMPLATE SYSTEM**

(75) Inventors: **Kevin Haas**, St. Louis Park, MN (US);  
**Joe Sheehy**, Chaska, MN (US)

(73) Assignee: **General Mills Marketing, Inc.**,  
Minneapolis, MN (US)

(\*\*) Term: **14 Years**

(21) Appl. No.: **29/289,222**

(22) Filed: **Jul. 12, 2007**

(51) **LOC (8) Cl.** ..... **10-04**

(52) **U.S. Cl.** ..... **D10/64**

(58) **Field of Classification Search** ..... D10/64;  
33/562-566

See application file for complete search history.

(56) **References Cited**

**U.S. PATENT DOCUMENTS**

3,520,438	A	7/1970	Ahrens et al.	
4,373,892	A	2/1983	Nordmann	
D316,525	S *	4/1991	Waddell et al.	D10/64
7,073,272	B1 *	7/2006	Lefebvre	33/563

**FOREIGN PATENT DOCUMENTS**

FR 2876001 4/2006

**OTHER PUBLICATIONS**

B. Gledhill, Feb. 2001, "Shape And Bake", *Kennedy's Confection*, pp. 19, 20, 21.

Oct. 2007, *Subway Bread*, webpage picture, p. 1.

Chicago Metallic Nonstick Perforated Baguette Pan—cooking.com from the website <http://www.cooking.com/products/shprodde.aas?SKU=162406>, p. 3.

Chicago Metallic Nonstick Perforated French Bread Pan—cooking.com from the website <http://www.cooking.com/products/shprodde.aas?SKU=162406>, p. 3.

\* cited by examiner

*Primary Examiner*—Antoine D Davis

(74) *Attorney, Agent, or Firm*—J. Paul Haun; Arlene L. Hornilla

(57) **CLAIM**

We claim the ornamental design for proof pan template system, as shown and described.

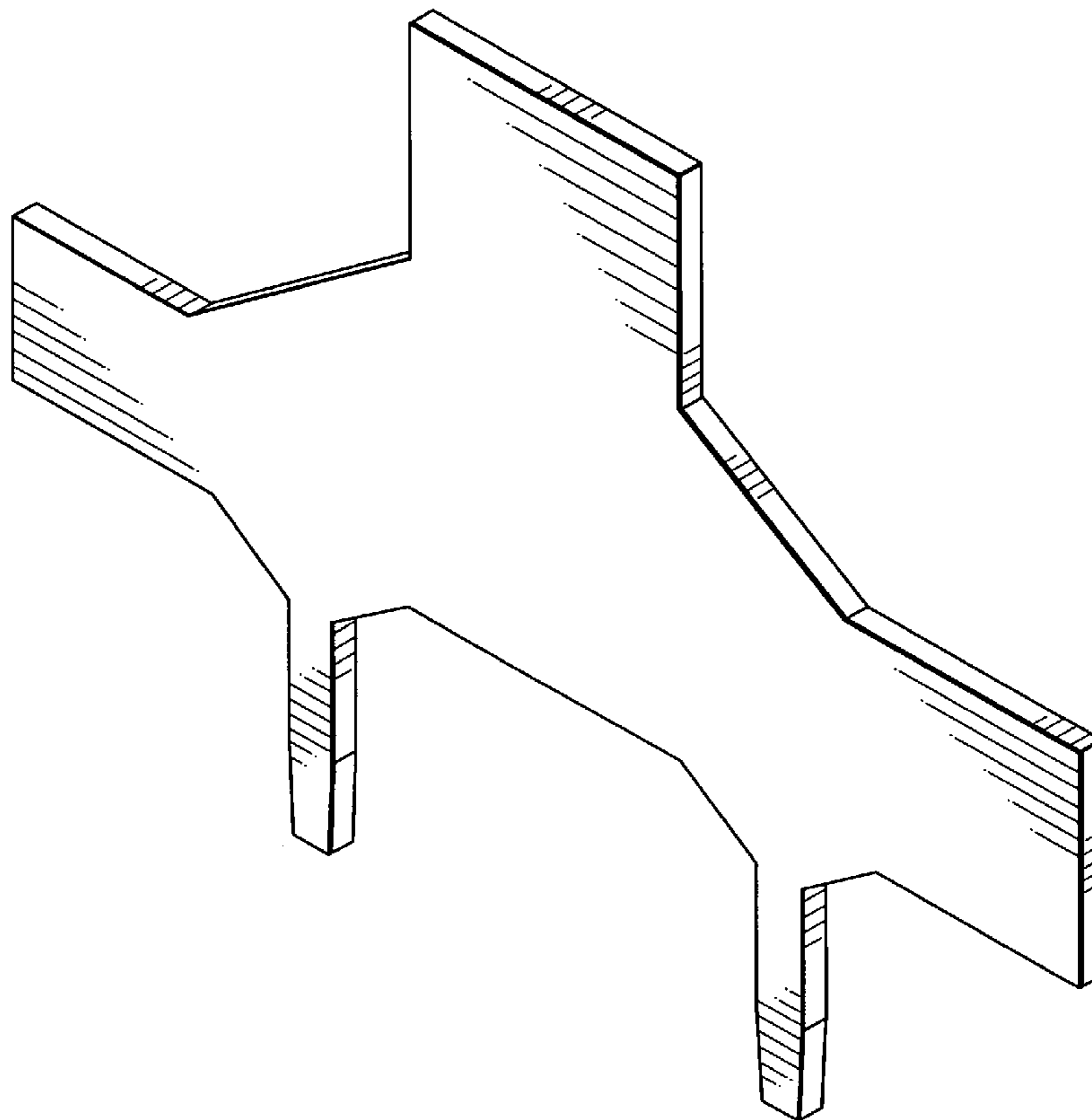
**DESCRIPTION**

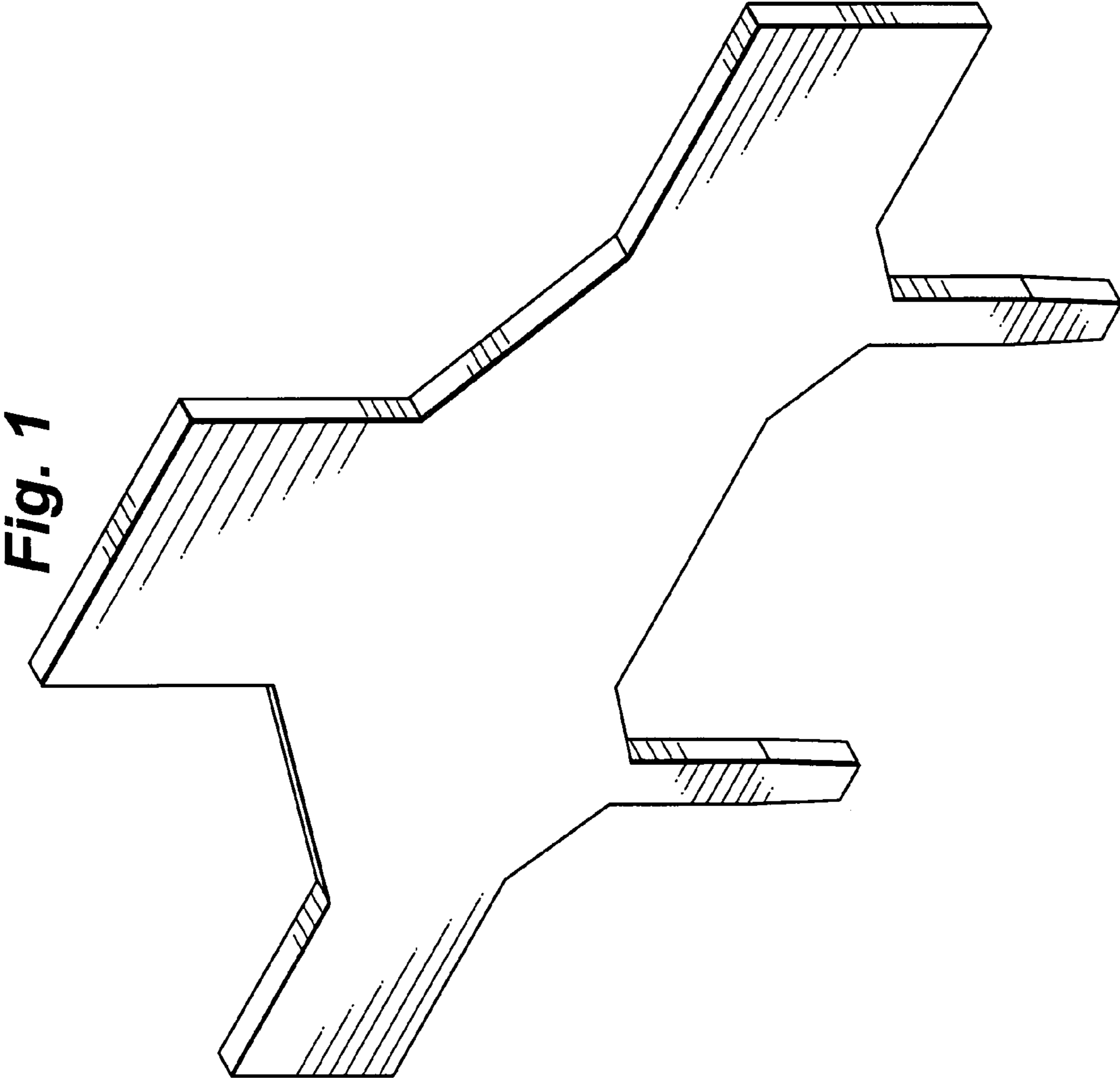
FIG. 1 is a perspective view of the proof and pan template according to an embodiment of the invention.

FIG. 2 is a perspective view of the proof and pan template of FIG. 1; and,

FIG. 3 is a plan view of the proof and pan template of FIG. 1.

**1 Claim, 3 Drawing Sheets**







**Fig. 3**

