



US00D575639S

(12) **United States Design Patent**
Seeuwen et al.

(10) **Patent No.:** **US D575,639 S**

(45) **Date of Patent:** **** Aug. 26, 2008**

(54) **BOTTLE STOPPER**

(76) Inventors: **Steven Seeuwen**, 111 Oak Ridge Dr.,
Hawley, PA (US) 18428; **Ruth Niles**, 49
Leeds Rd., Newville, PA (US) 17241;
Eric Seeuwen, 308 Kemwood Dr.,
Honesdale, PA (US) 18431

(**) Term: **14 Years**

(21) Appl. No.: **29/285,894**

(22) Filed: **Apr. 12, 2007**

(51) **LOC (8) Cl.** **09-07**

(52) **U.S. Cl.** **D9/439**

(58) **Field of Classification Search** D9/546,
D9/545, 544, 543, 452, 440, 439; D7/387;
220/521; 215/354-364

See application file for complete search history.

(56) **References Cited**

U.S. PATENT DOCUMENTS

730,729 A * 6/1903 Wust 215/356
1,098,051 A * 5/1914 Pick 215/364
1,340,237 A * 5/1920 Moore 215/364
D56,108 S * 8/1920 Rustant D9/439

2,111,069 A * 3/1938 Kimber 215/358
D422,214 S * 4/2000 Hollinger D9/439
D451,337 S * 12/2001 Sum D7/387
D459,227 S * 6/2002 Liebmann, Jr. D9/439

* cited by examiner

Primary Examiner—Gary D. Watson

Assistant Examiner—Susan Bennett Hattan

(74) *Attorney, Agent, or Firm*—Sandra M. Kotin

(57) **CLAIM**

The ornamental design for a bottle stopper, as shown.

DESCRIPTION

FIG. 1 is an elevational view of the front of a bottle stopper according to the present design;

FIG. 2 is a bottom view thereof;

FIG. 3 is a top view thereof;

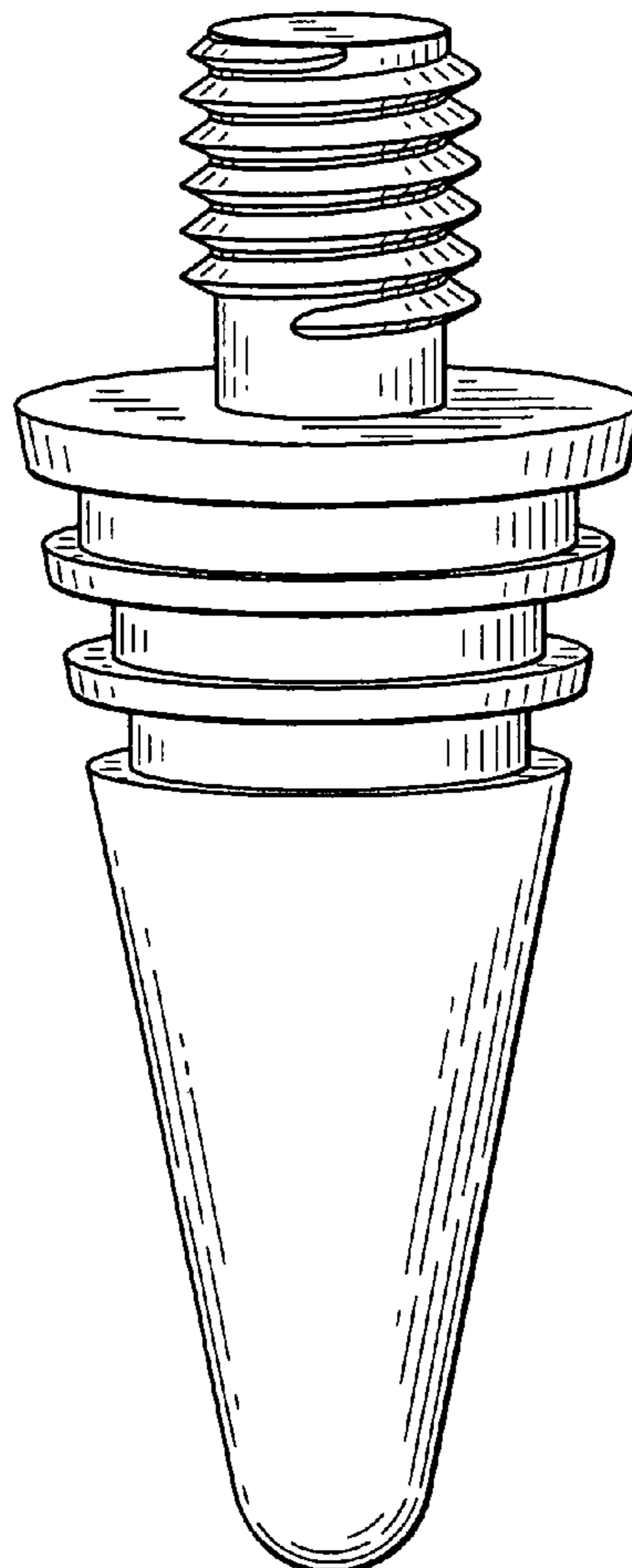
FIG. 4 is a rear view thereof;

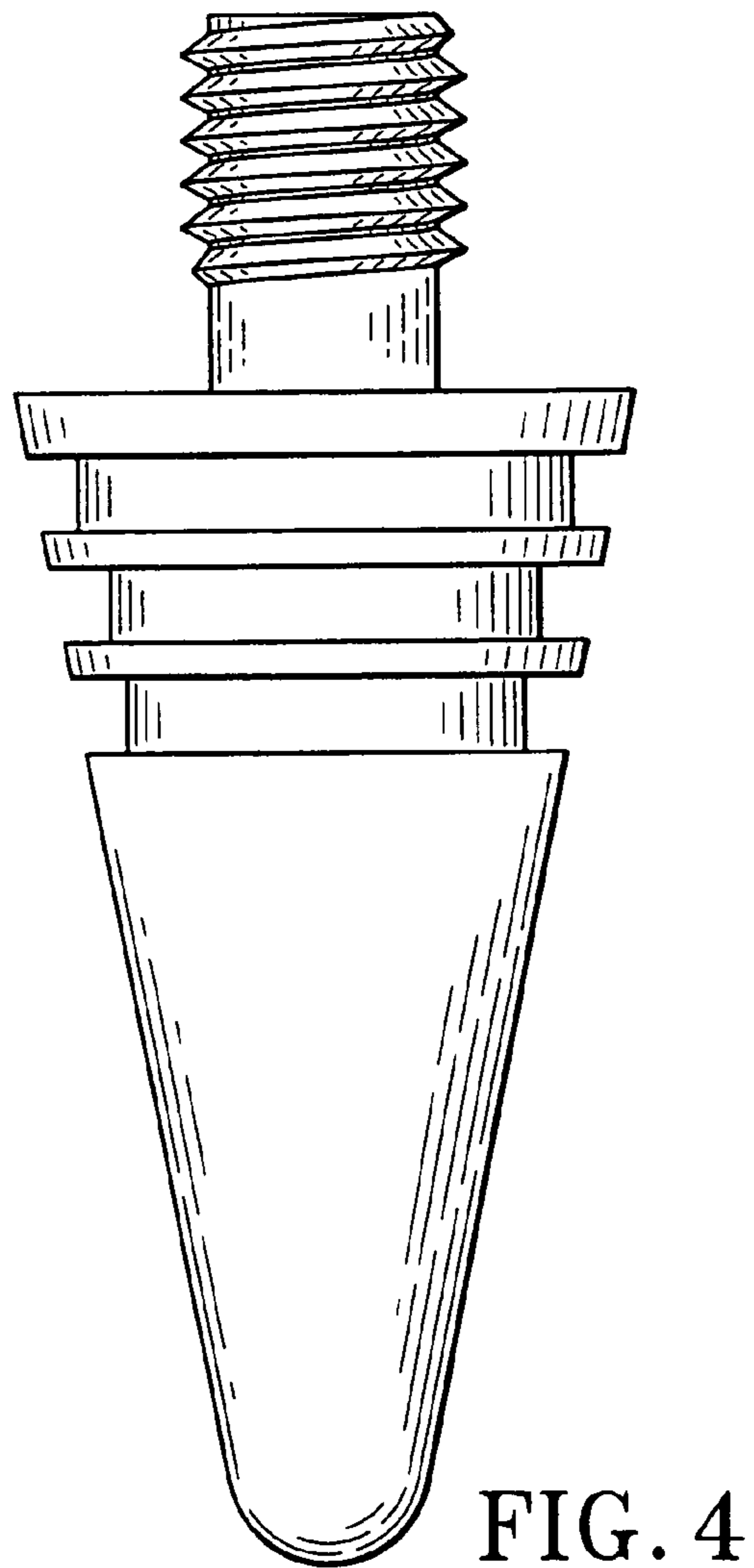
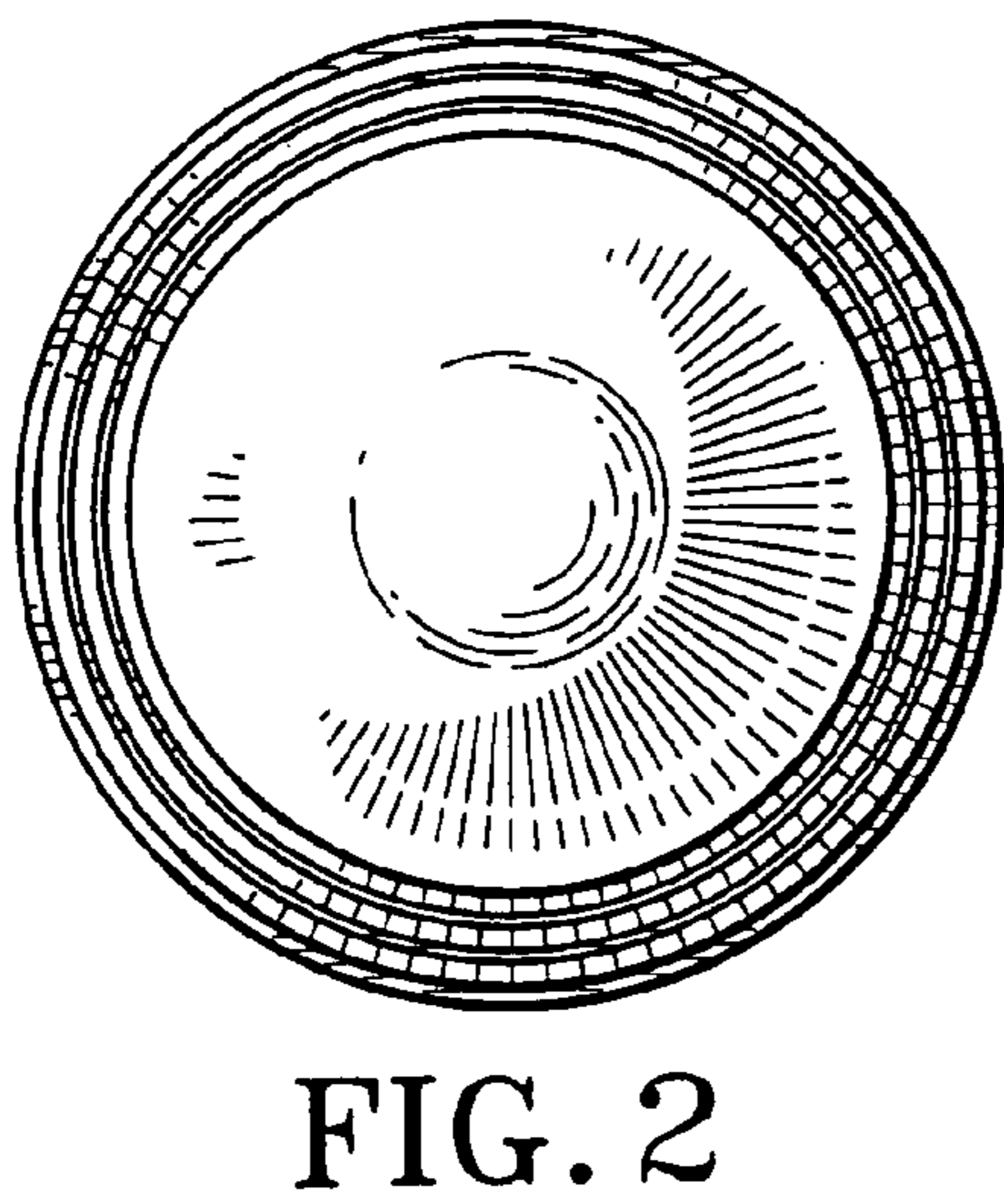
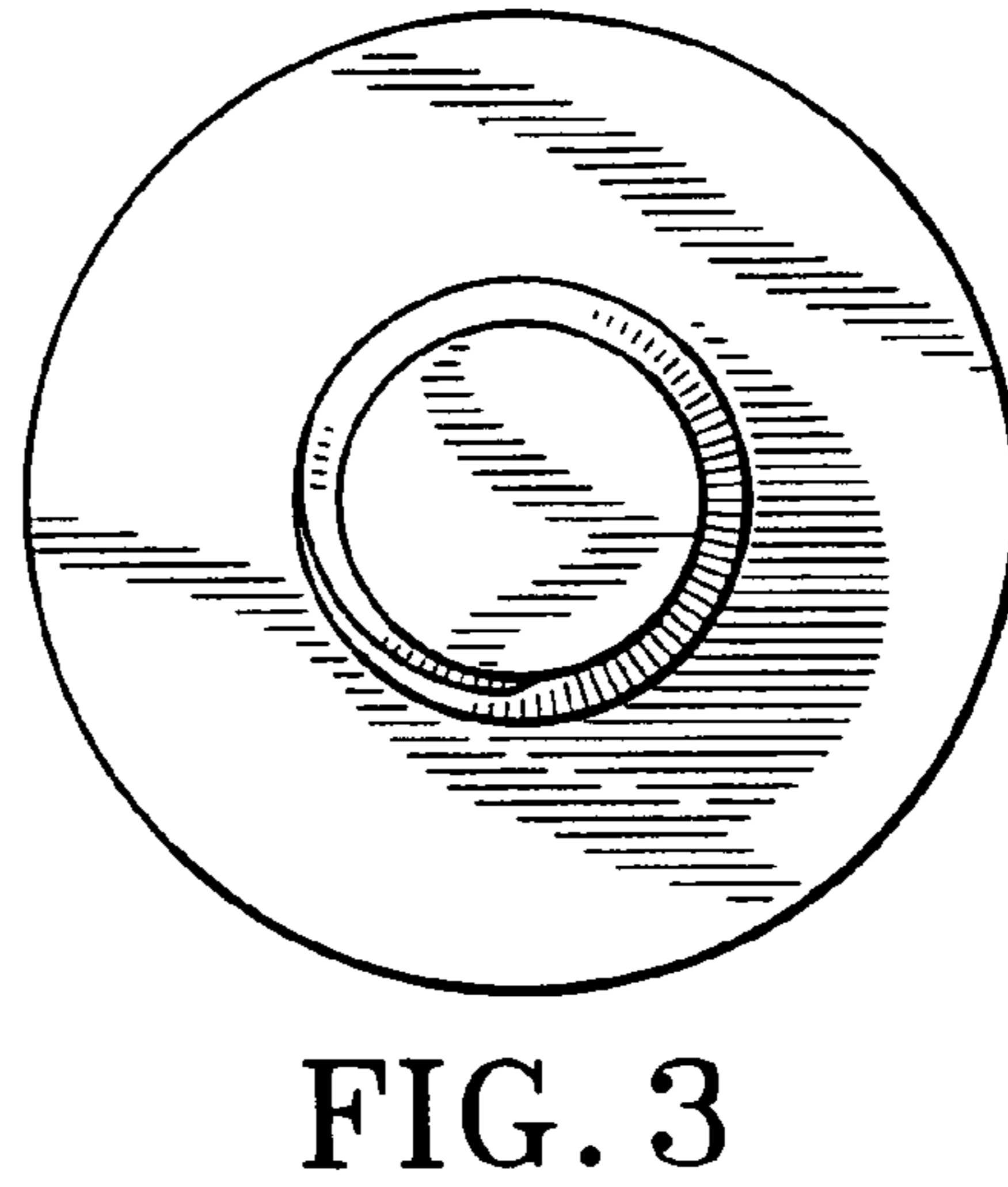
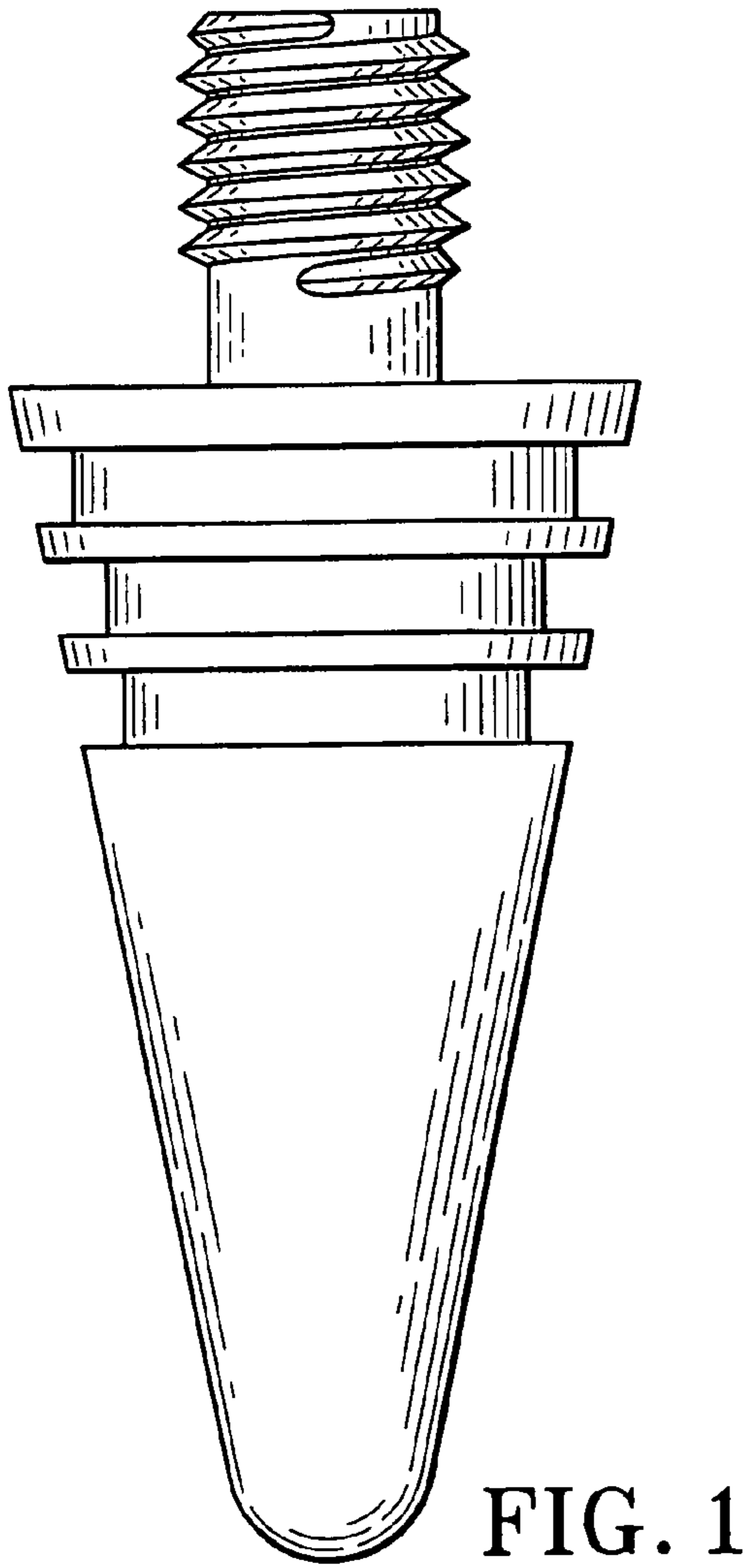
FIG. 5 is a right side view thereof;

FIG. 6 is a left side view thereof; and,

FIG. 7 is a front, top perspective view thereof.

1 Claim, 2 Drawing Sheets





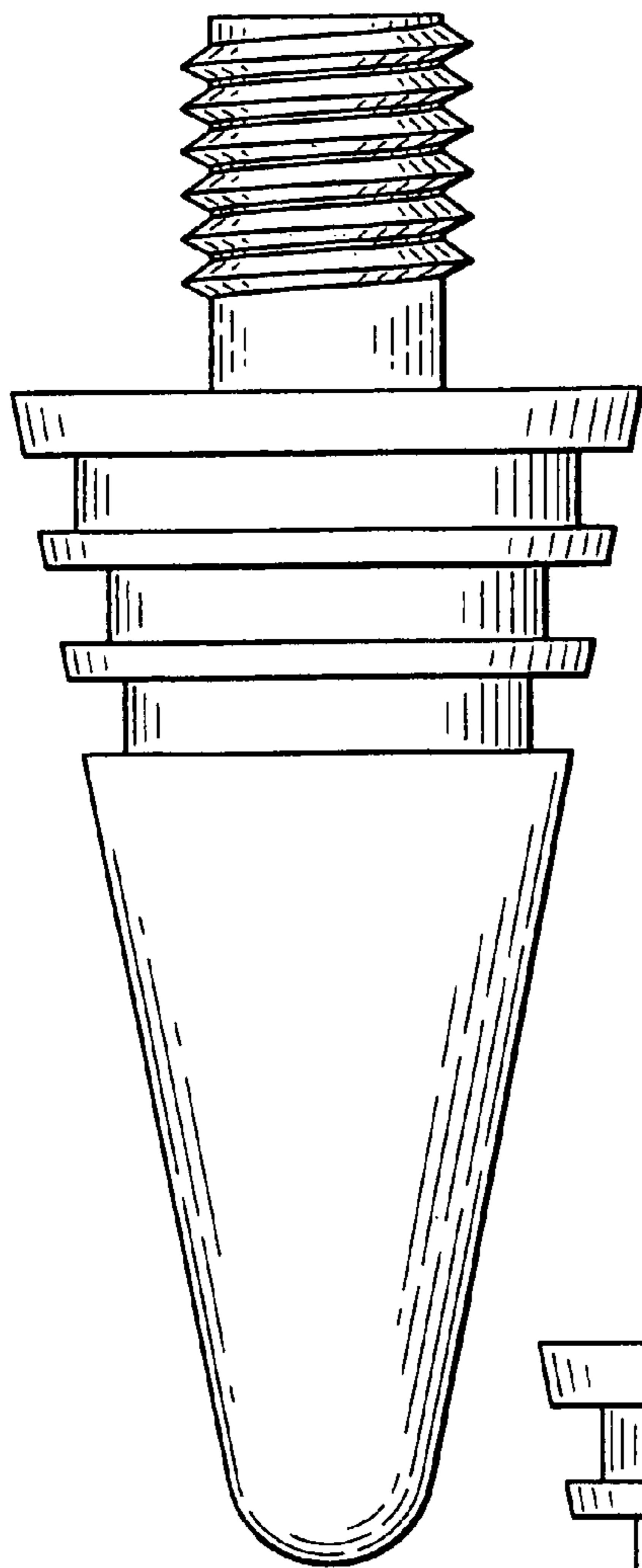


FIG. 5

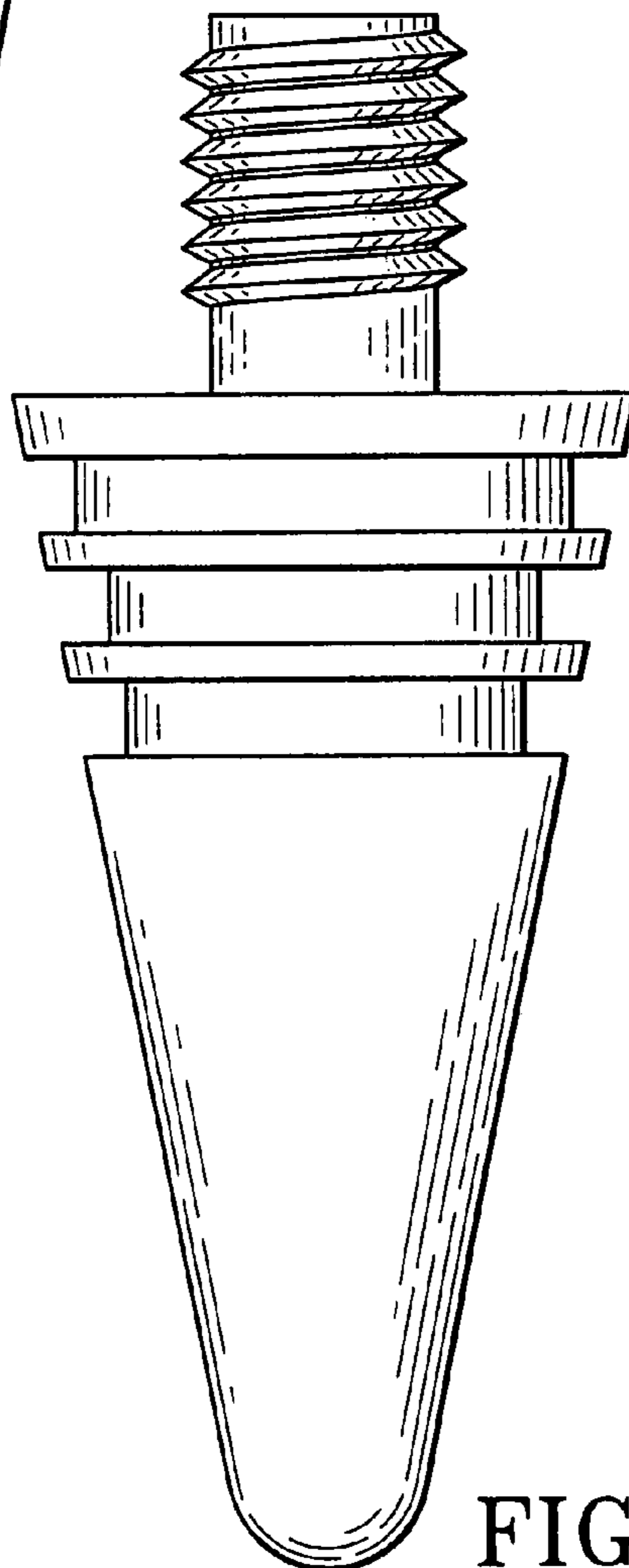


FIG. 6

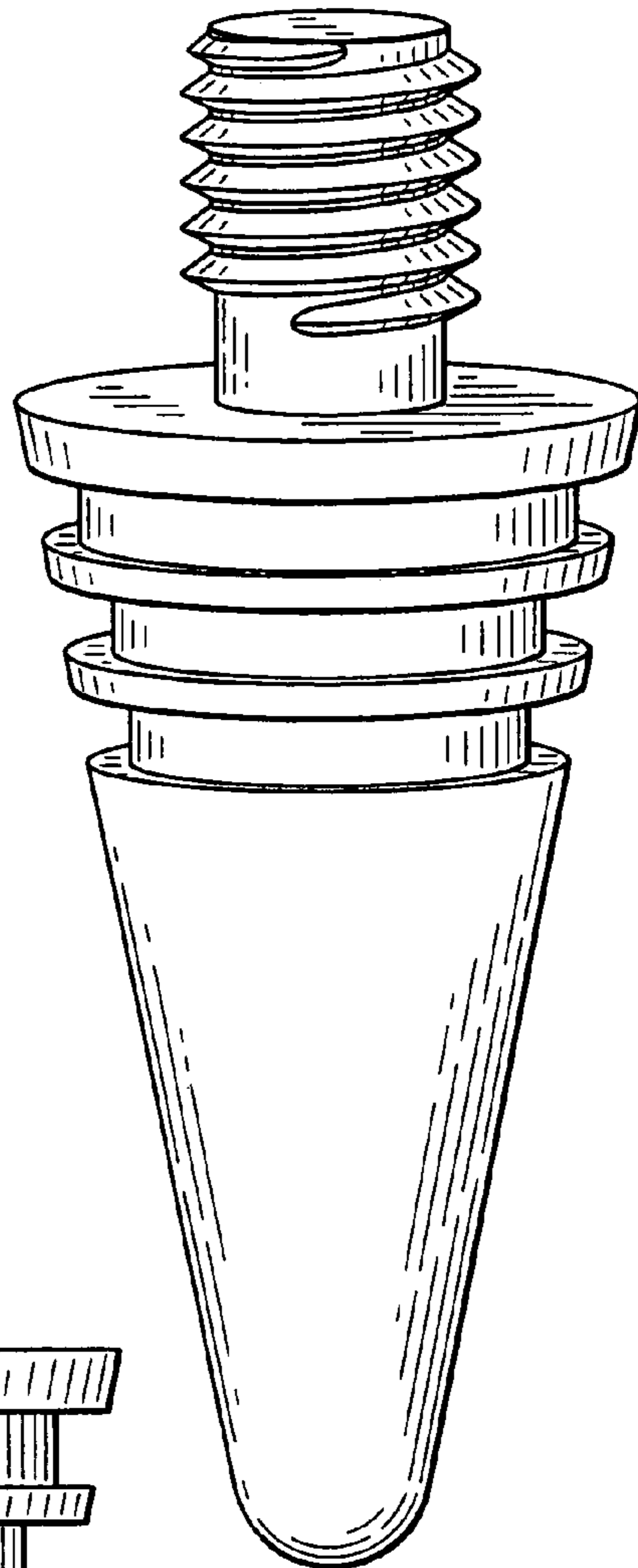


FIG. 7