



US00D575636S

(12) **United States Design Patent**
Krautter

(10) **Patent No.:** **US D575,636 S**
(45) **Date of Patent:** **** Aug. 26, 2008**

(54) **CONTAINER**

(75) Inventor: **Hermann Krautter**, Gorxheimertal (DE)
(73) Assignee: **Philip Morris USA Inc.**, Richmond, VA (US)
(**) Term: **14 Years**
(21) Appl. No.: **29/274,819**
(22) Filed: **May 30, 2007**

(30) **Foreign Application Priority Data**
Nov. 30, 2006 (EM) 000631171

(51) **LOC (8) Cl.** **09-03**
(52) **U.S. Cl.** **D9/420; D9/423**
(58) **Field of Classification Search** D9/420, D9/423, 425, 432, 607; 206/245; 229/101, 229/125.21, 125.37, 145, 212, 225; D27/189
See application file for complete search history.

(56) **References Cited**

U.S. PATENT DOCUMENTS

2,361,597 A * 10/1944 Buttery 229/225
(Continued)

Primary Examiner—Daniel Bui

Assistant Examiner—Thomas J Johannes

(74) *Attorney, Agent, or Firm*—Buchanan Ingersoll & Rooney PC

(57) **CLAIM**

The ornamental design for a container, as shown and described.

DESCRIPTION

FIG. 1 is a front, right side and top perspective view of a container showing a first embodiment of my new design in a closed position, the other side being a mirror image thereof.

FIG. 2 is a front, right side and top perspective view thereof in a lifted position.

FIG. 3 is a front, right side and top perspective view thereof in an open position.

FIG. 4 is a front elevational view thereof, the rear elevational view being a mirror image thereof.

FIG. 5 is a right side elevational view thereof, the left side elevational view being a mirror image thereof.

FIG. 6 is a top plan view thereof.

FIG. 7 is a bottom plan view thereof.

FIG. 8 is a front, right side and top perspective view of a container showing a second embodiment of my new design in a closed position, the other side being a mirror image thereof.

FIG. 9 is a front, right side and top perspective view thereof in a lifted and open position.

FIG. 10 is a front, right side and top perspective view of a container showing a third embodiment of my new design in a closed position, the other side being a mirror image thereof.

FIG. 11 is a front, right side and top perspective view thereof in a lifted and open position.

FIG. 12 is a front, right side and top perspective view of a container showing a fourth embodiment of my new design in a closed position, the other side being a mirror image thereof.

FIG. 13 is a front, right side and top perspective view thereof in a lifted and open position.

FIG. 14 is a front, right side and top perspective view of a container showing a fifth embodiment of my new design in a closed position, the other side being a mirror image thereof.

FIG. 15 is a front, right side and top perspective view thereof in a lifted and open position.

FIG. 16 is a front, right side and top perspective view of a container showing a sixth embodiment of my new design in a closed position, the opposite side being a mirror image thereof.

FIG. 17 is a front, right side and top perspective view thereof in a lifted position.

FIG. 18 is a front, right side and top perspective view thereof in a lifted position and open position.

FIG. 19 is a front elevational view thereof.

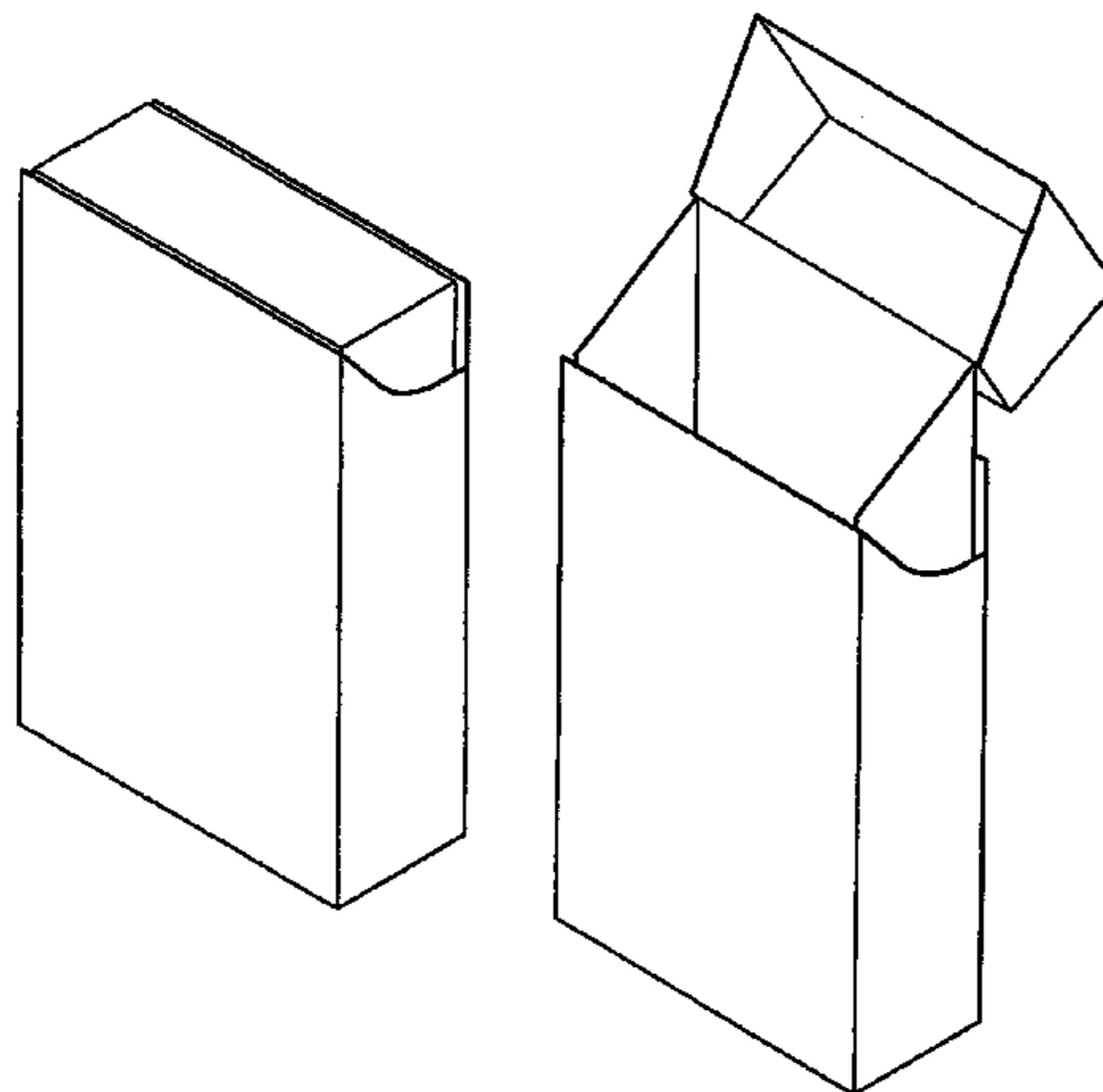
FIG. 20 is a side elevational view thereof, the opposite side being a mirror image thereof.

FIG. 21 is a bottom plan view thereof.

FIG. 22 is a top plan view thereof; and,

FIG. 23 is a rear elevational view thereof.

1 Claim, 18 Drawing Sheets



US D575,636 S

Page 2

U.S. PATENT DOCUMENTS

2,407,415	A *	9/1946	Graziano	229/101	D296,938	S *	7/1988	Ameringen	D9/423
3,608,812	A *	9/1971	Hamilton	229/145	D298,515	S *	11/1988	Pennell	D9/423
3,933,299	A *	1/1976	Shimada et al.	229/125.37	D355,275	S *	2/1995	Focke	D27/189
3,948,389	A *	4/1976	Molins et al.	206/245	D438,106	S *	2/2001	Brown et al.	D9/432
D249,870	S *	10/1978	Tillander	D9/607	D523,990	S *	6/2006	Mitten et al.	D27/189
4,314,643	A *	2/1982	Forbes, Jr.	229/212					

* cited by examiner

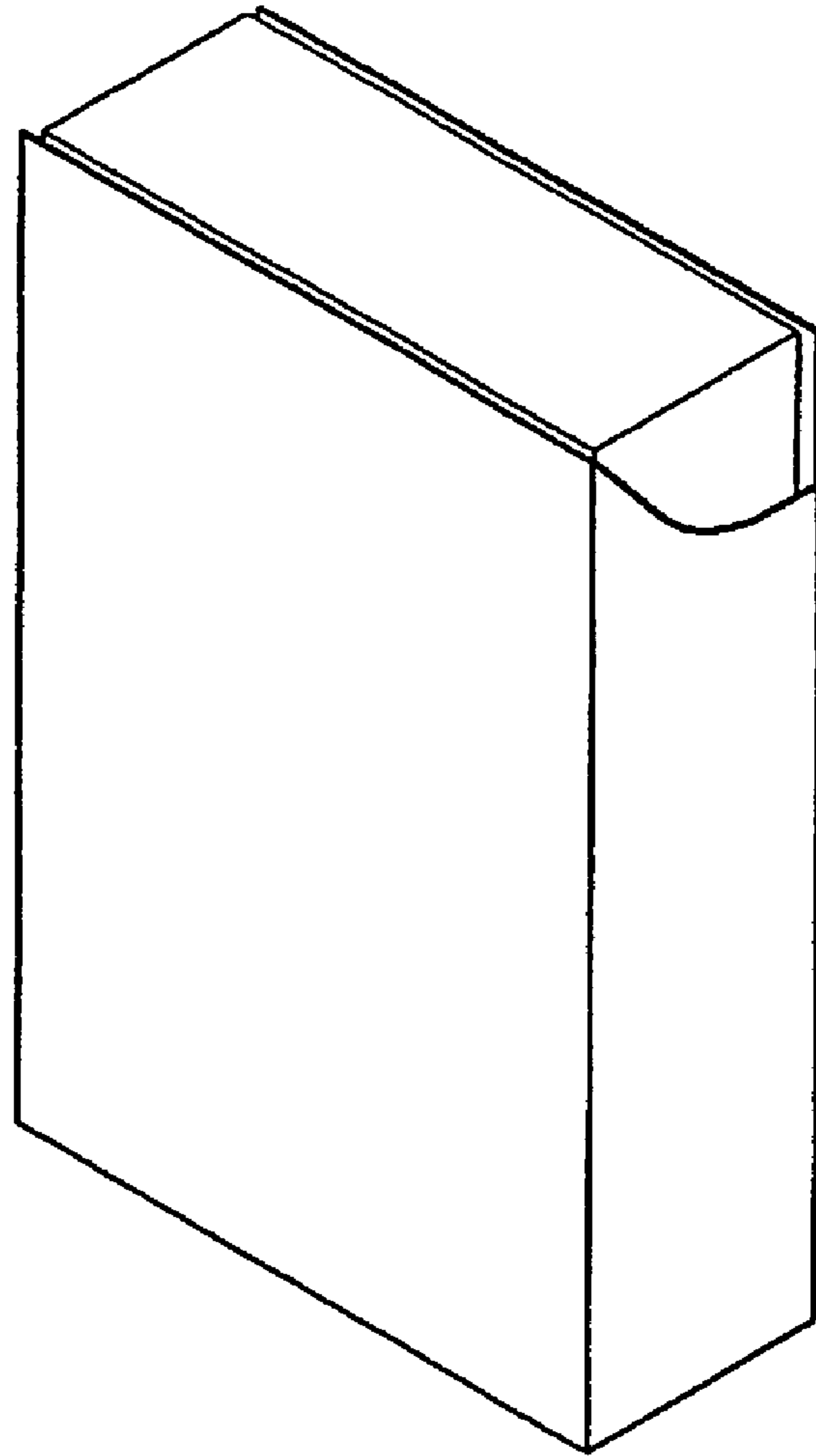


FIG. 1

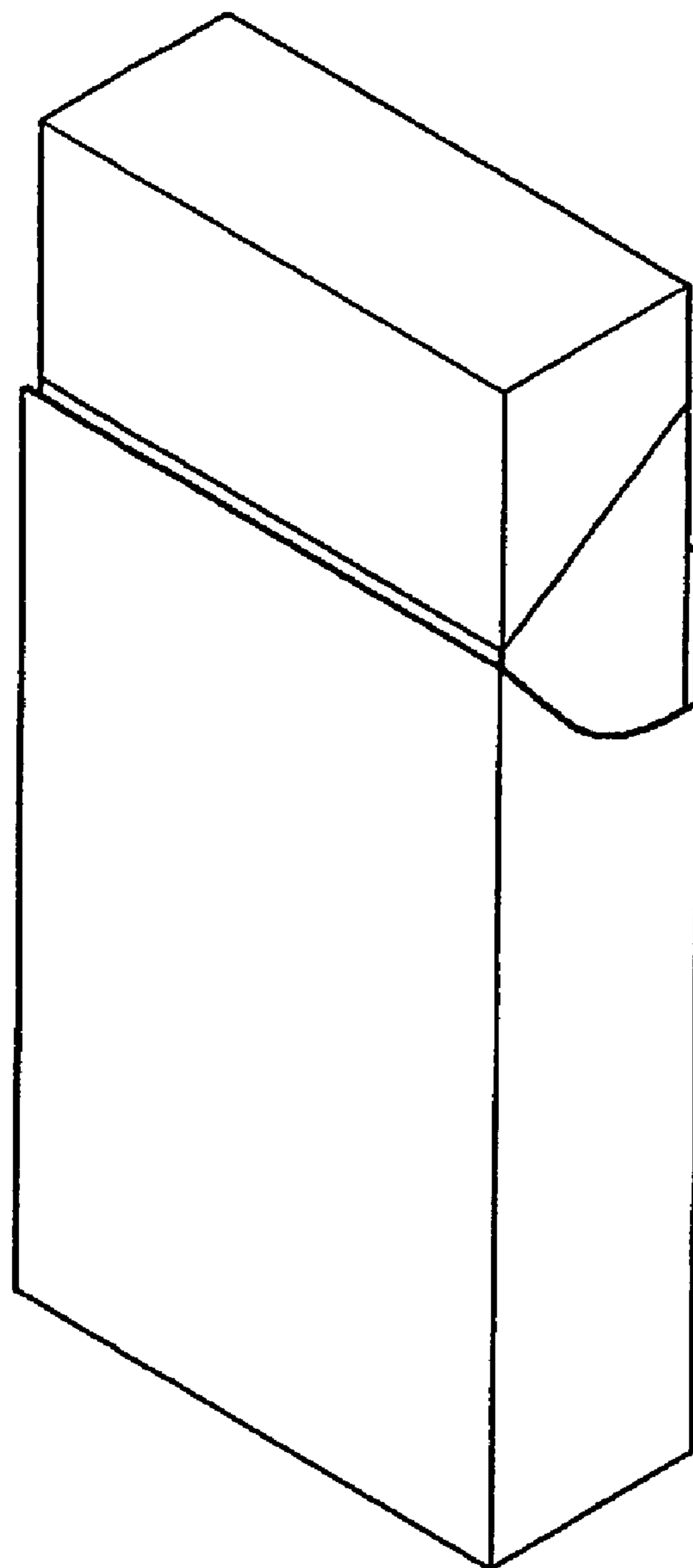


FIG. 2

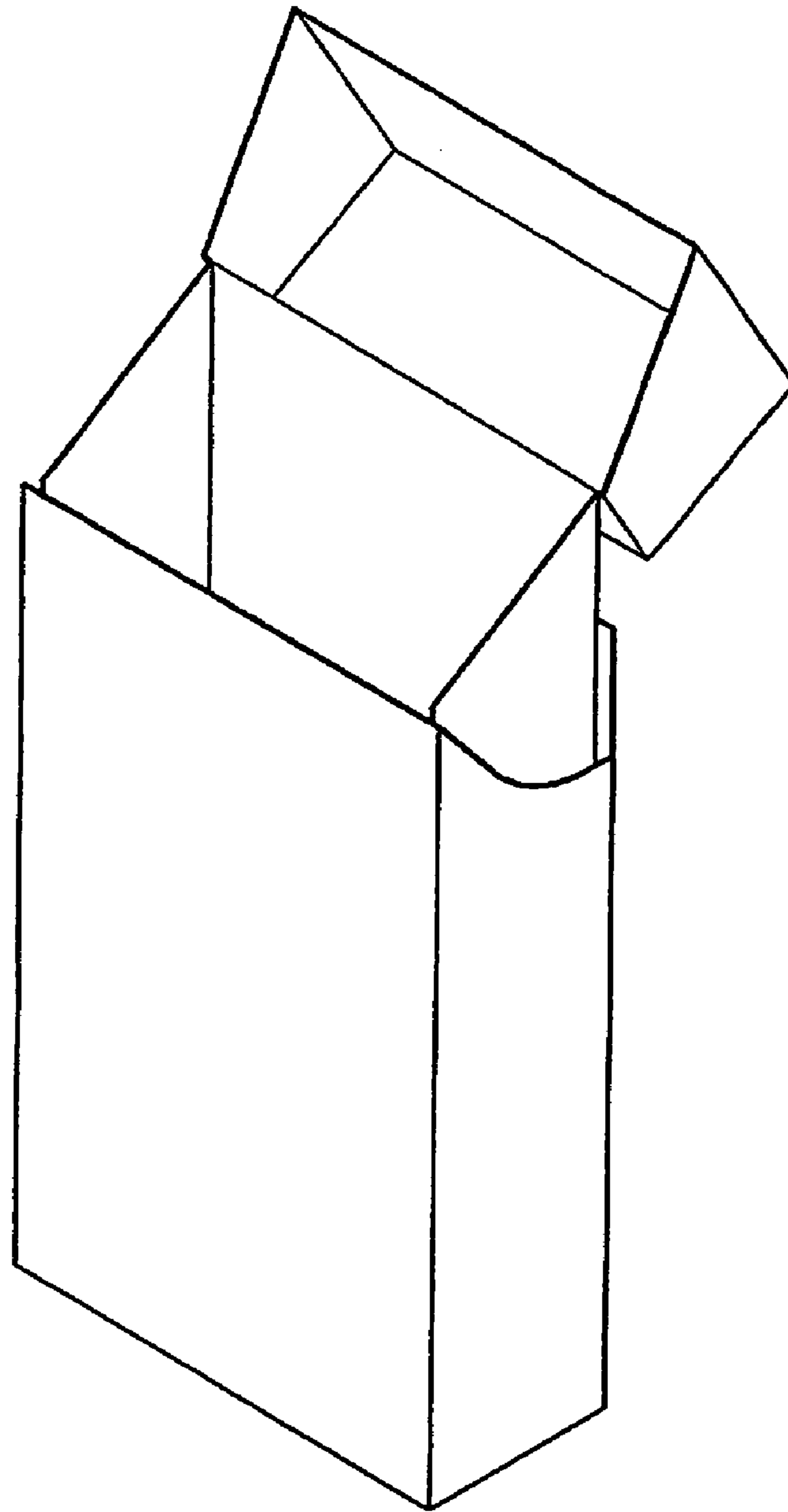


FIG. 3

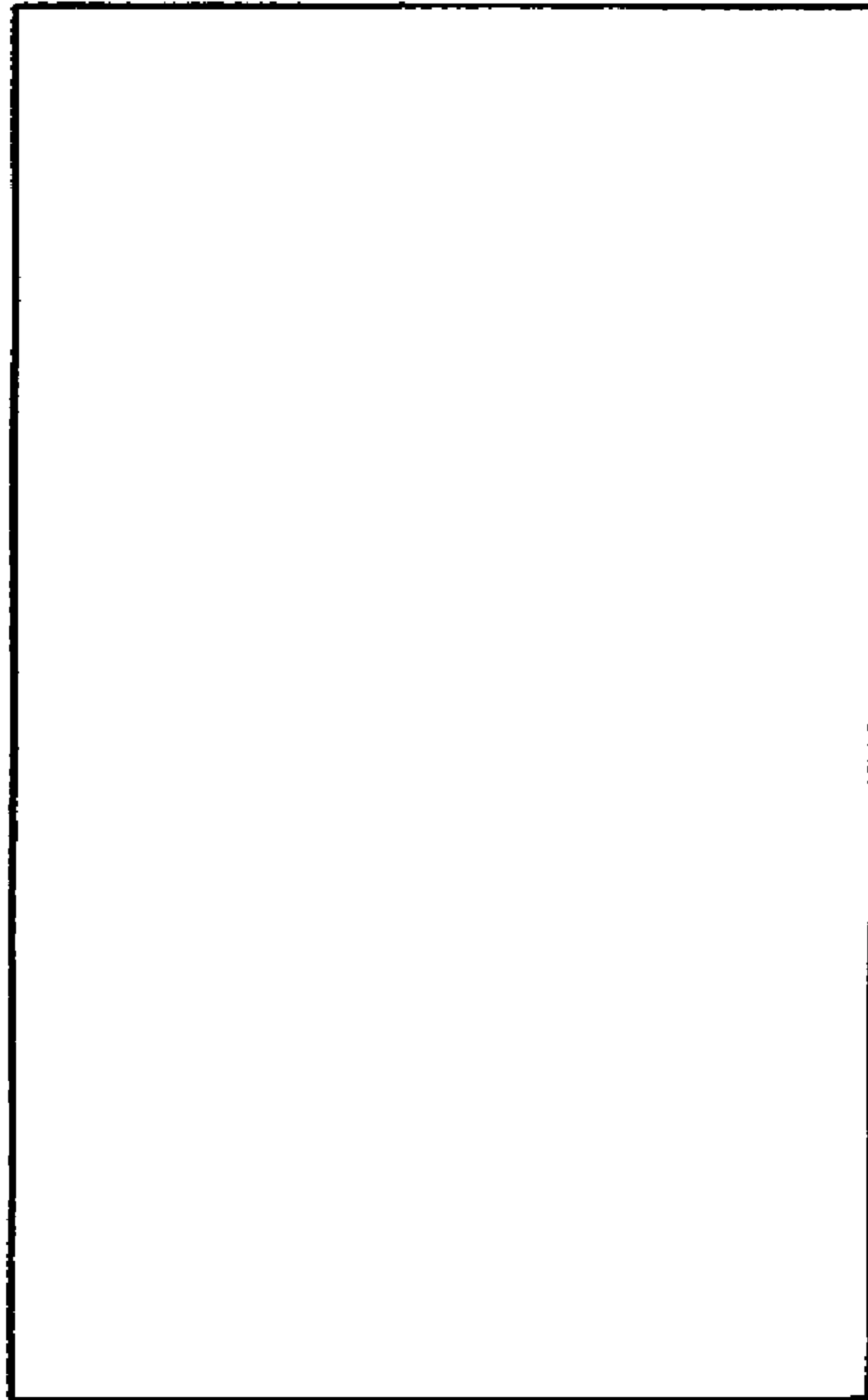


FIG. 4

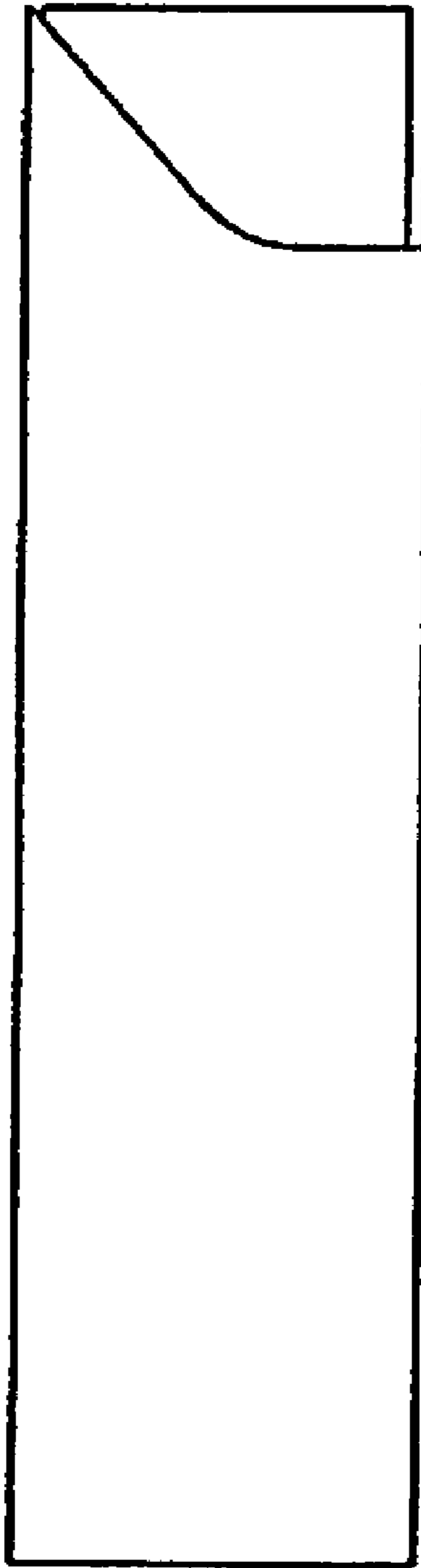


FIG. 5

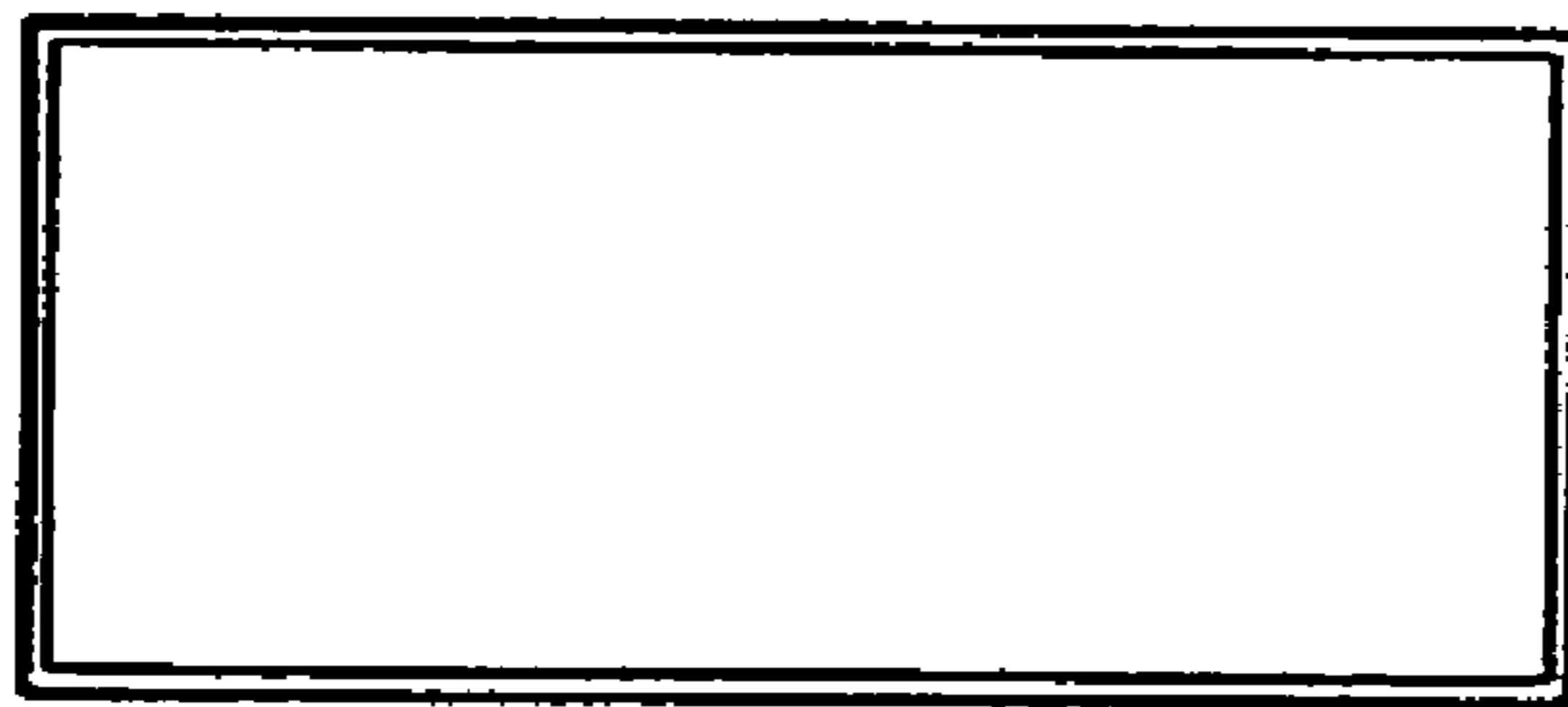


FIG. 6



FIG. 7

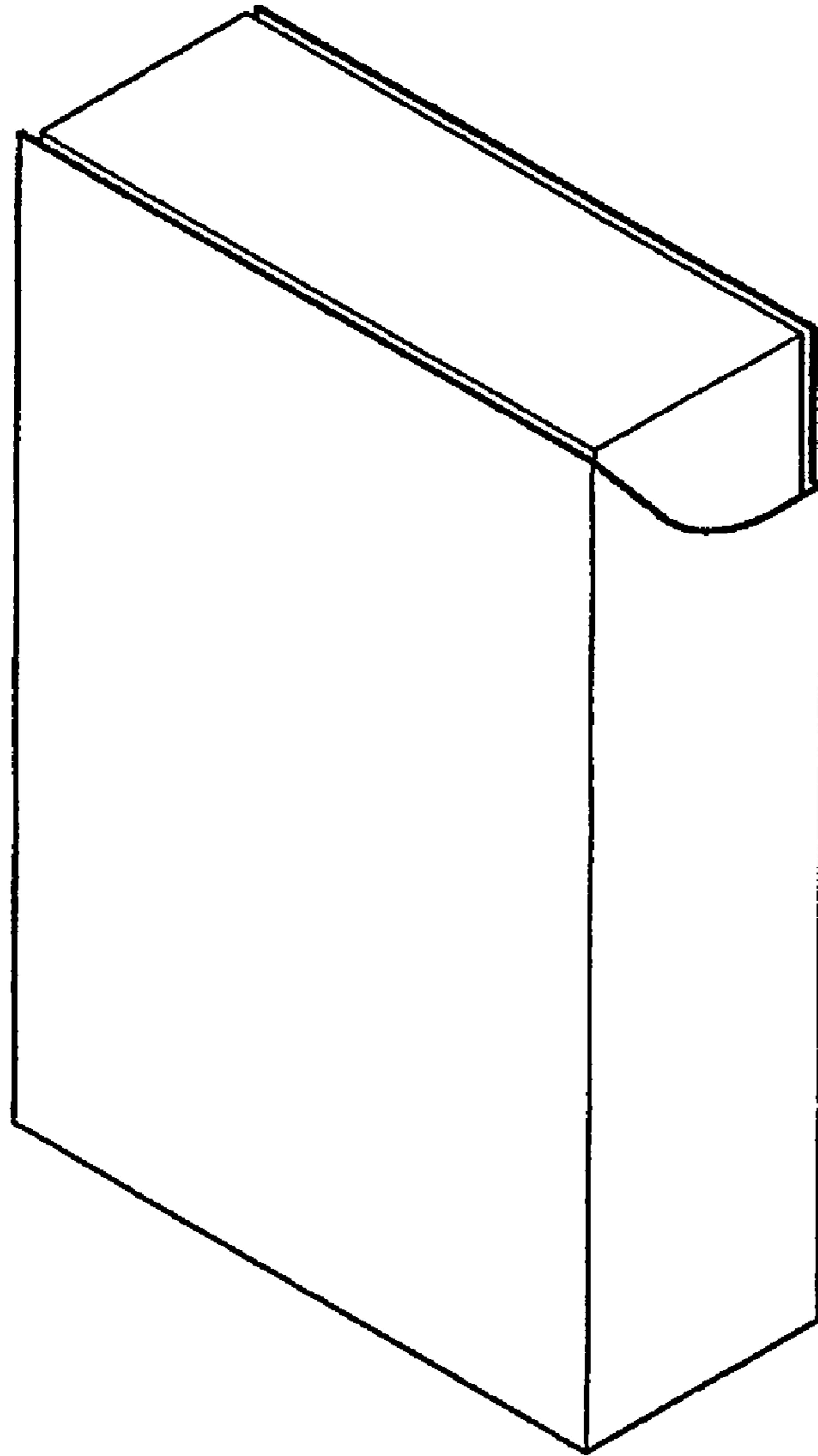


FIG. 8

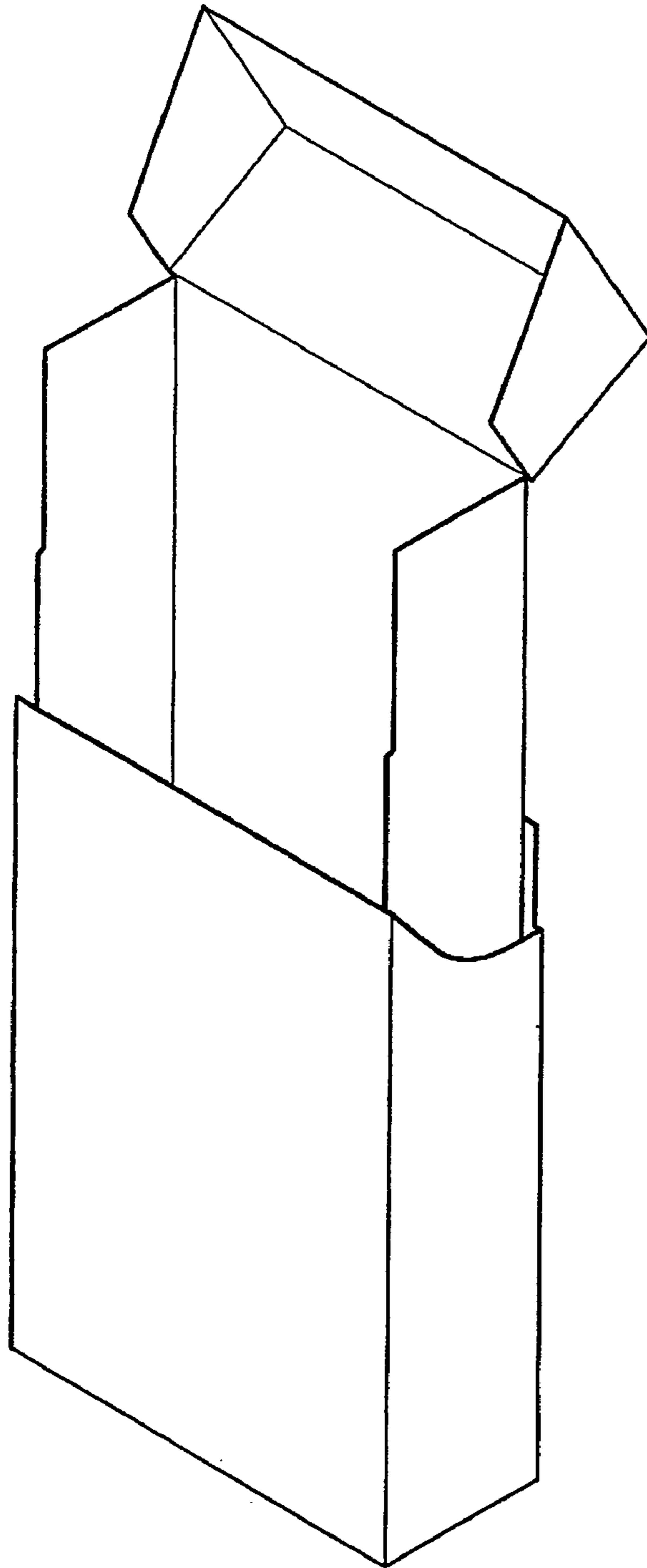


FIG. 9

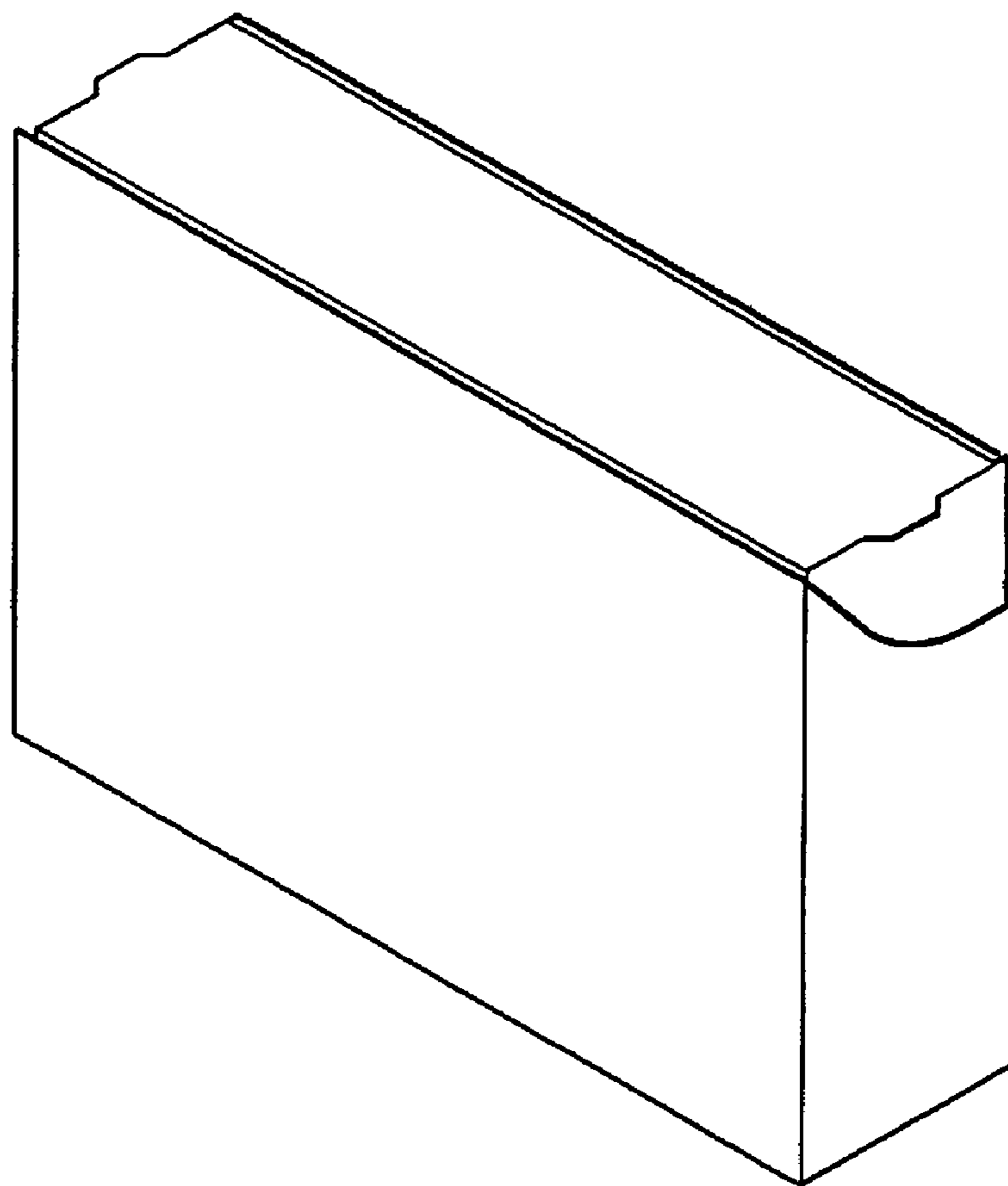


FIG. 10

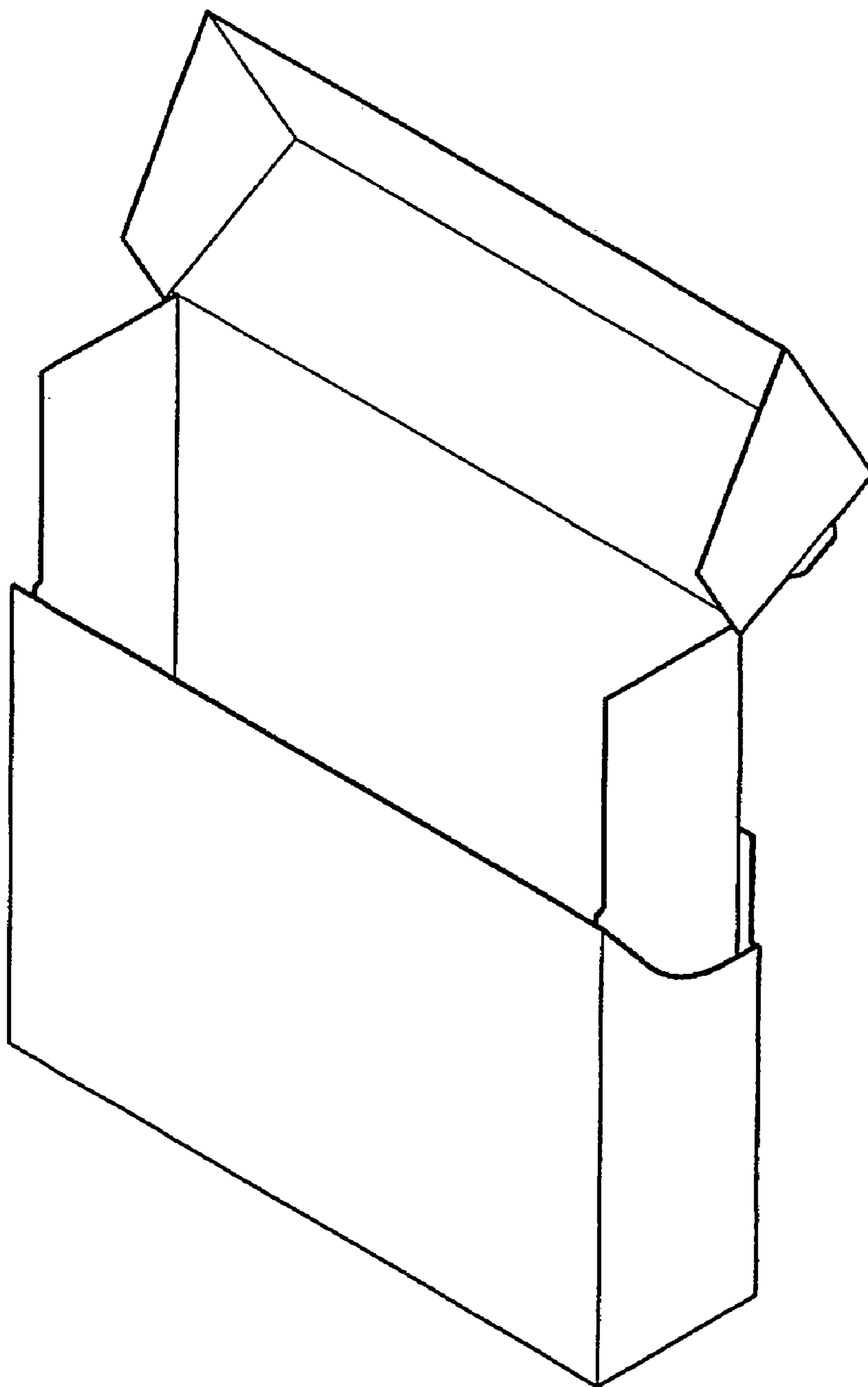


FIG. 11

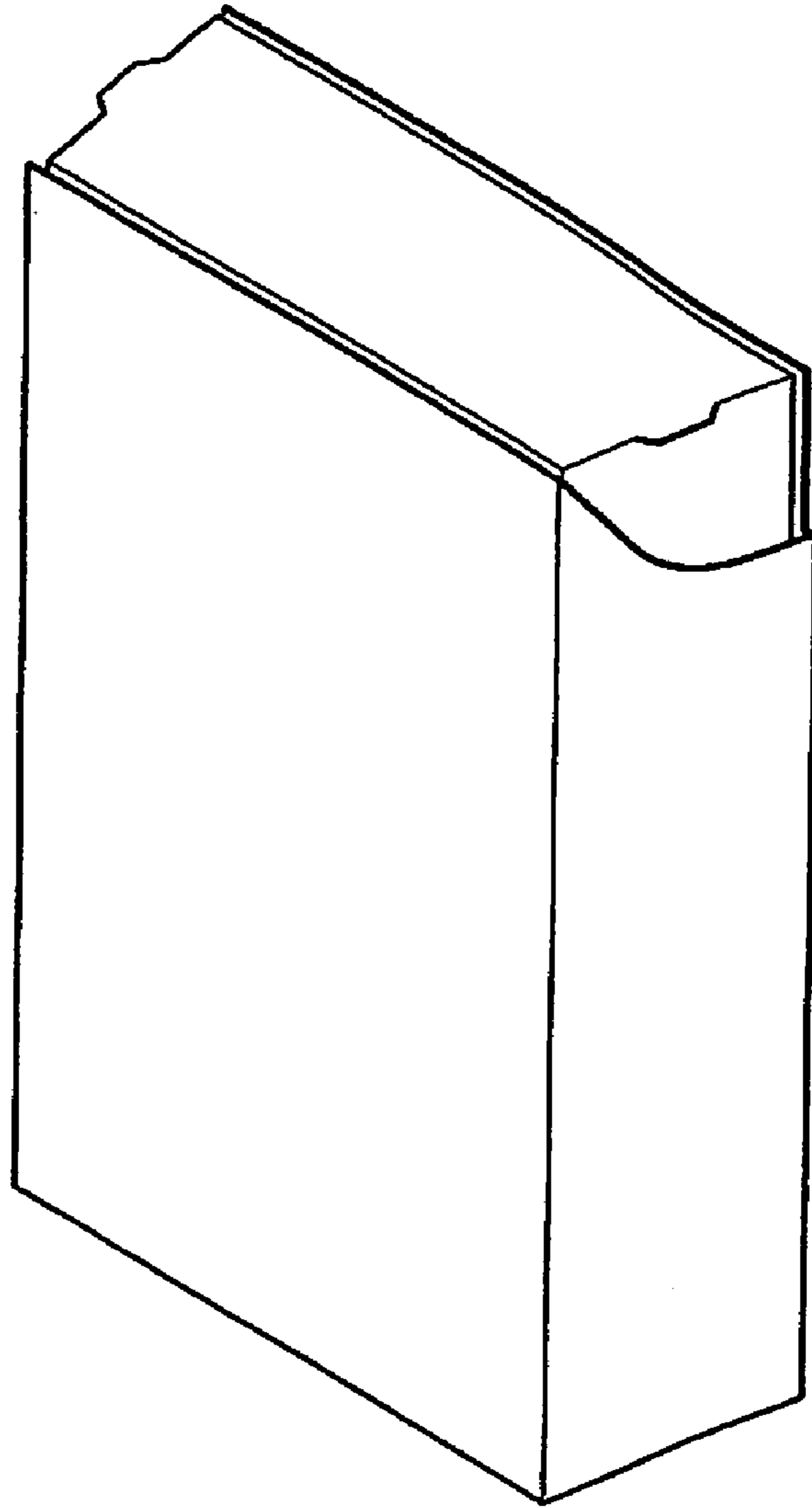


FIG. 12

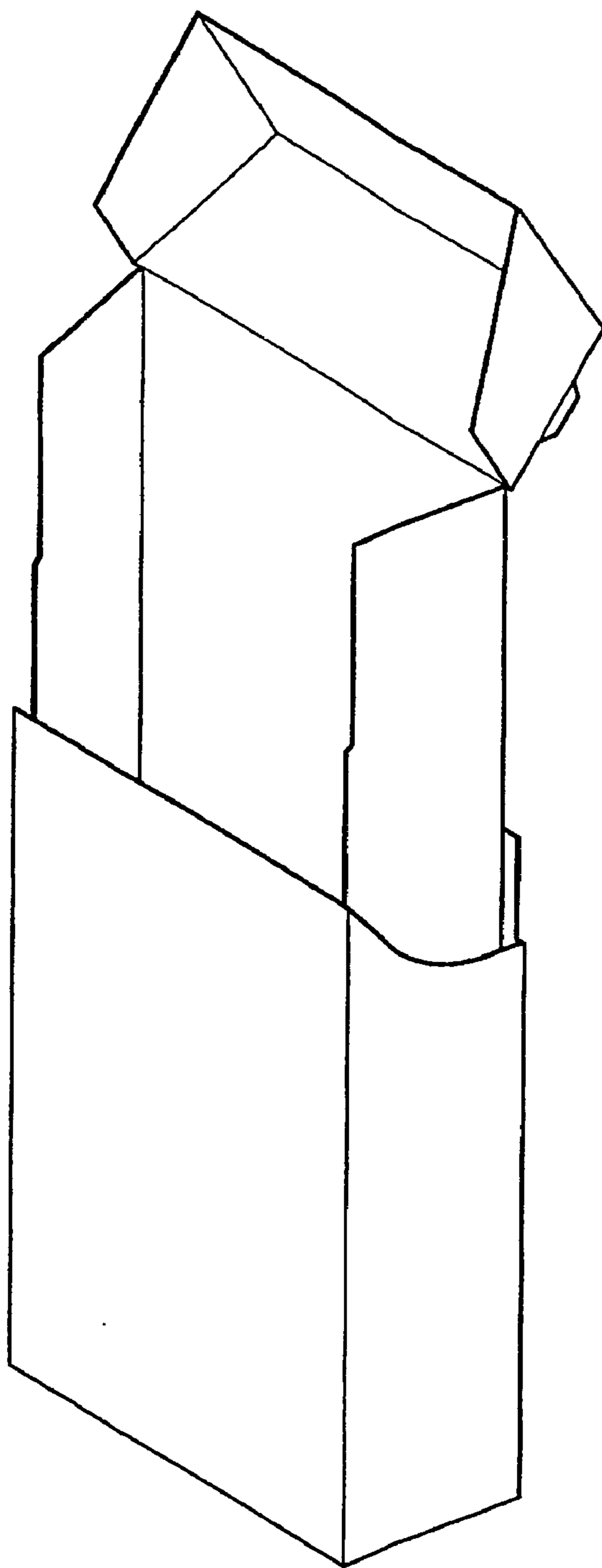


FIG. 13

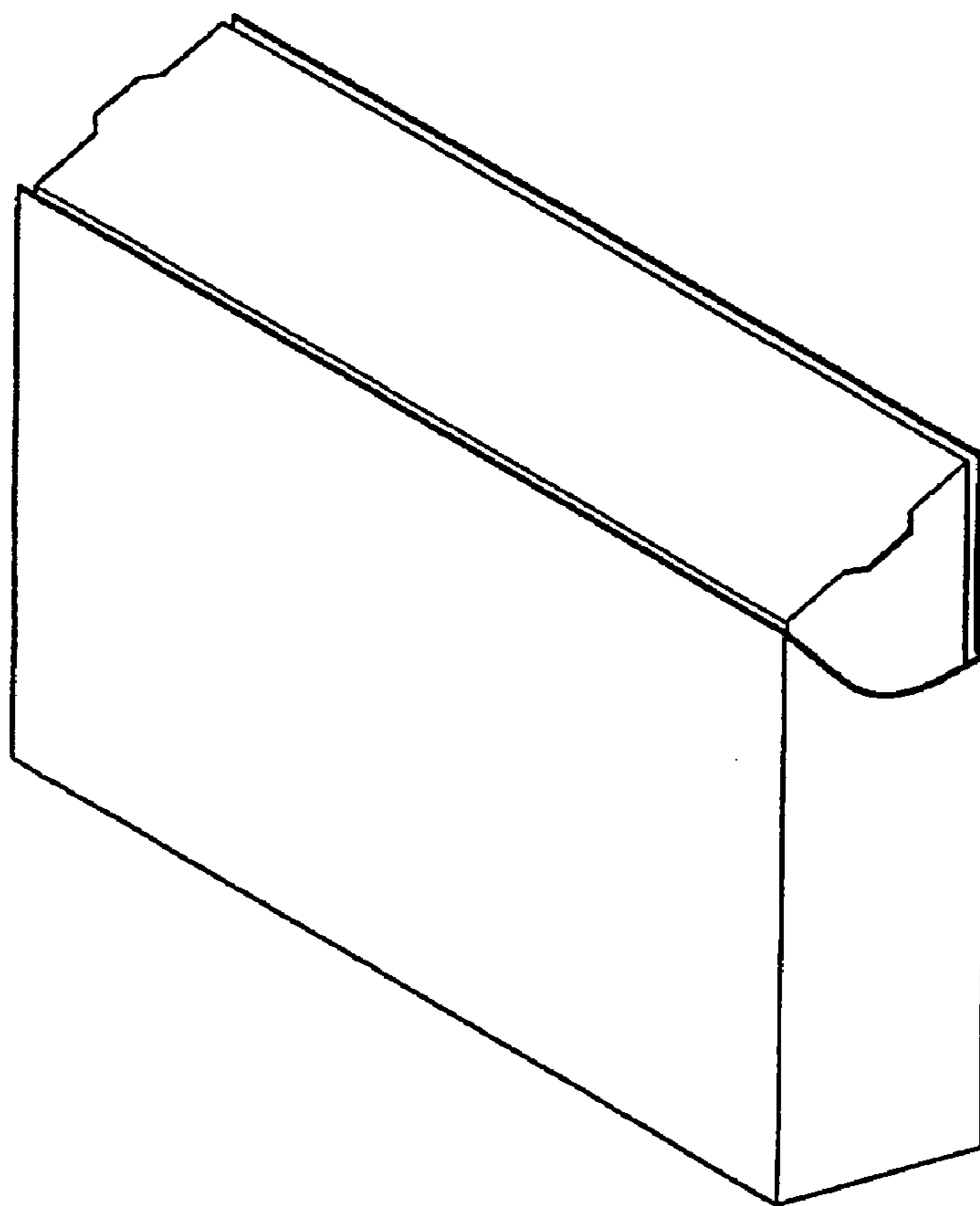


FIG. 14

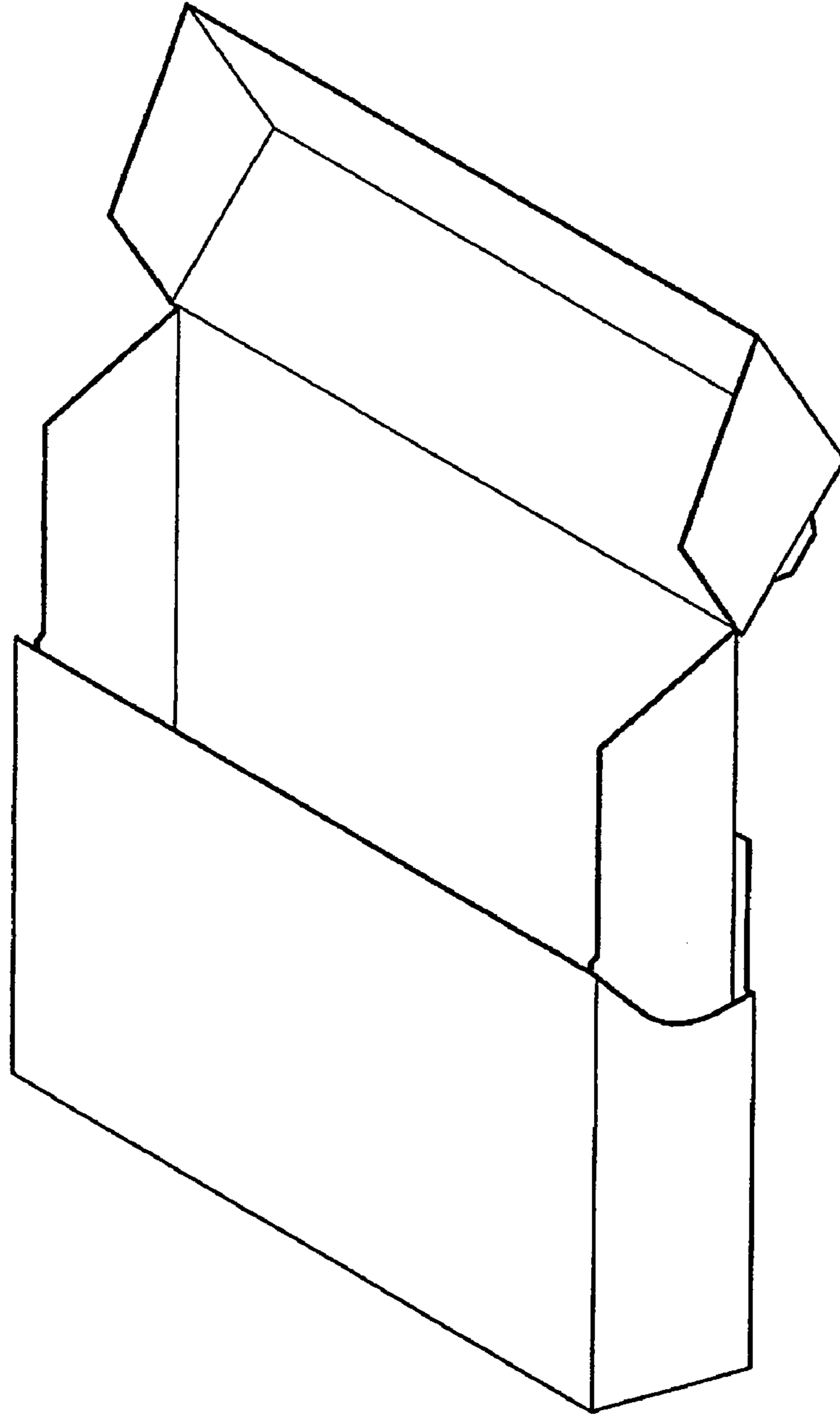


FIG. 15

FIG. 17

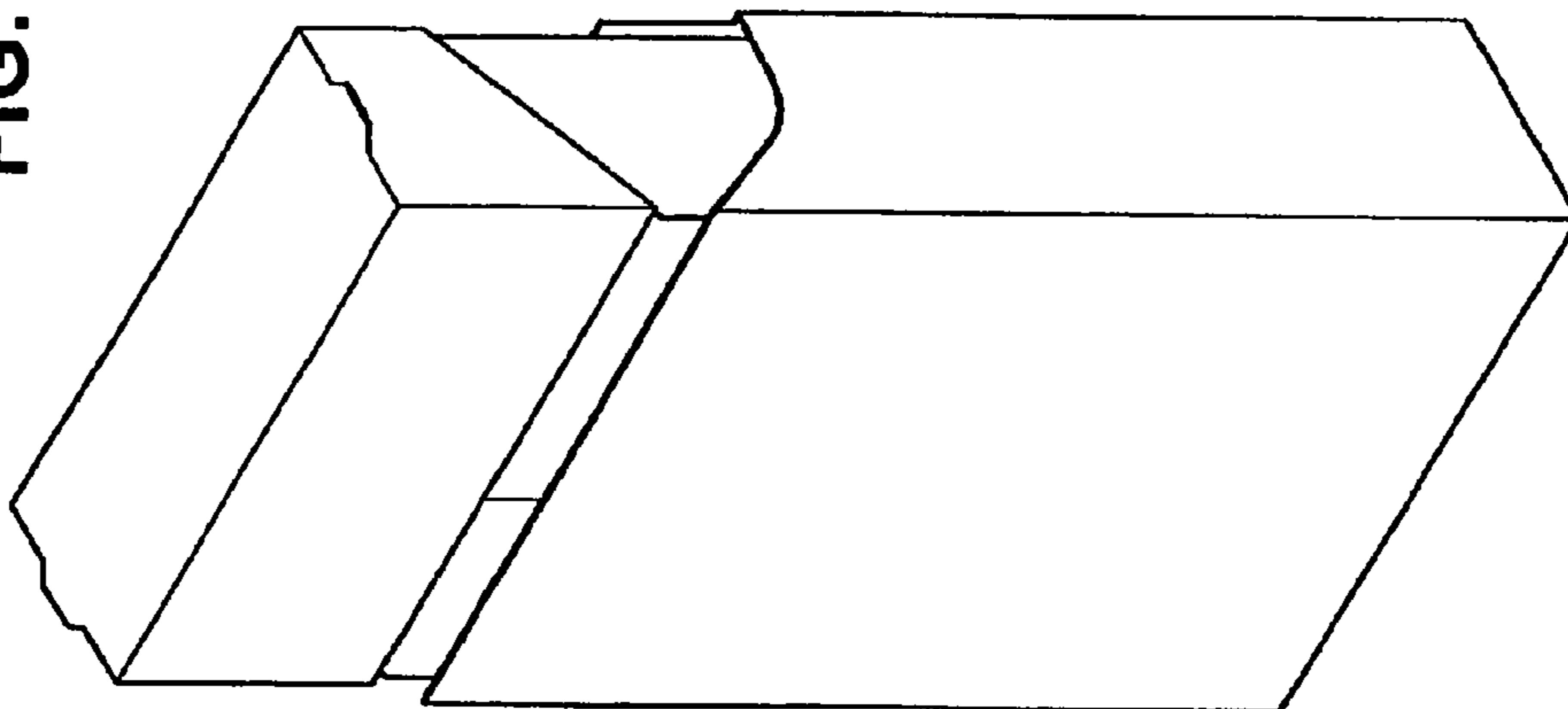


FIG. 16

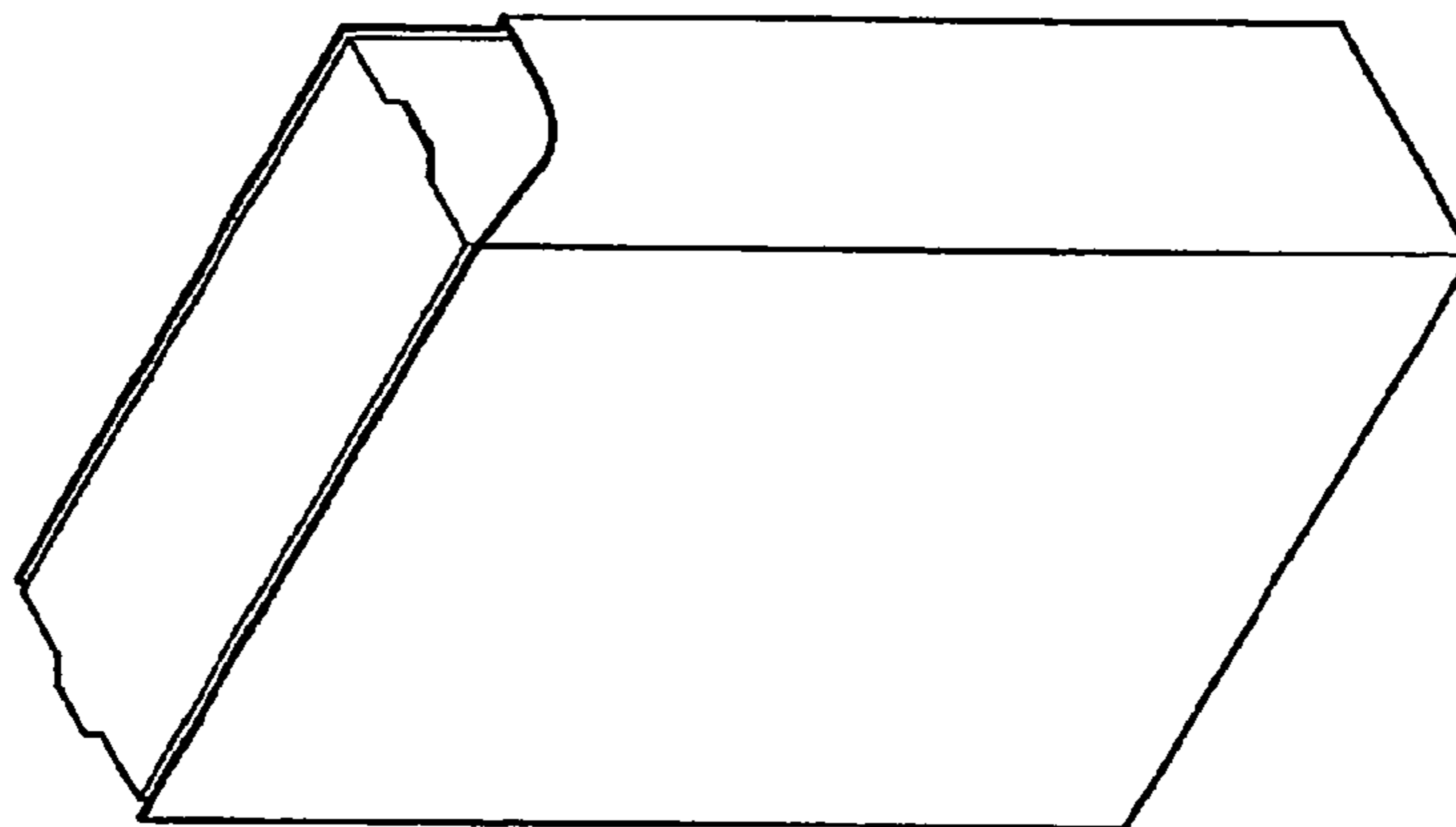
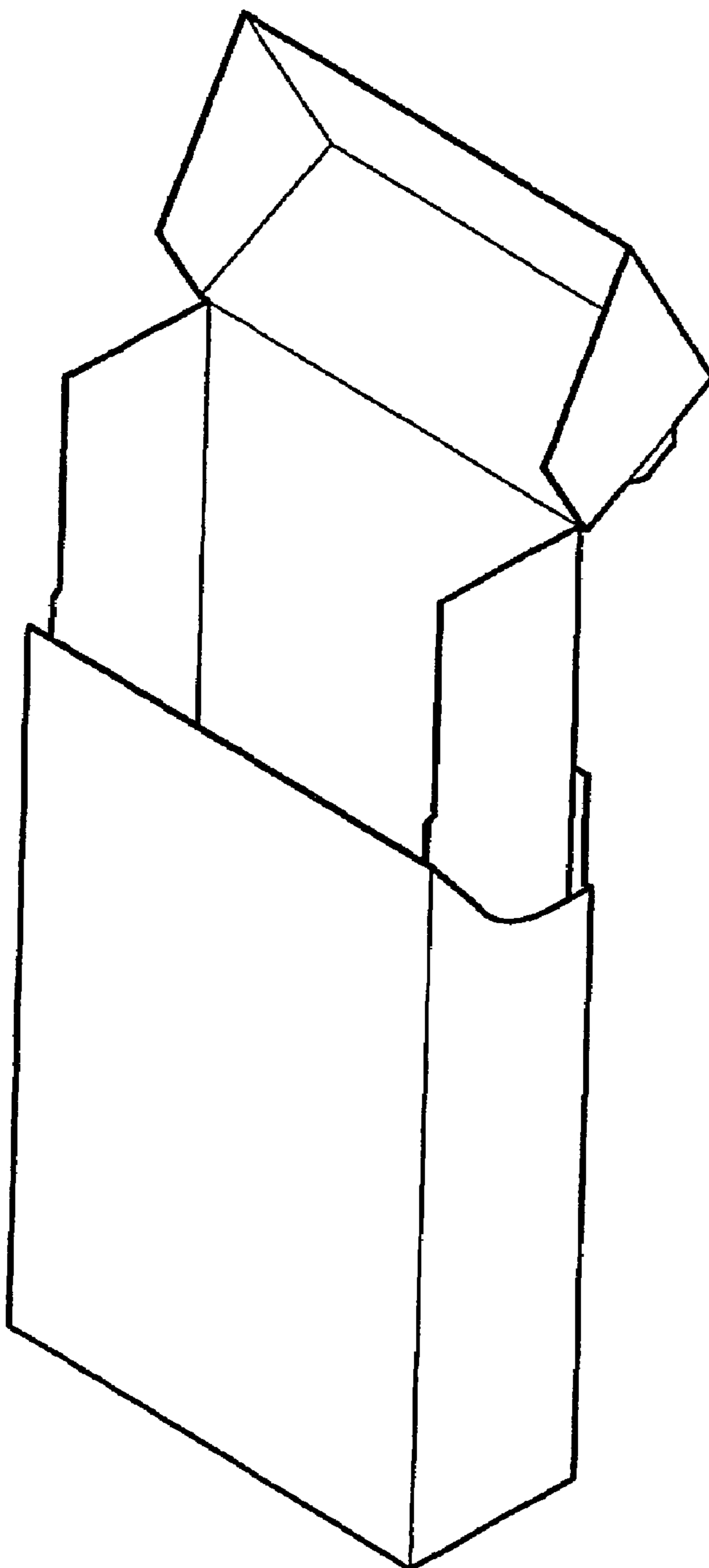


FIG. 18



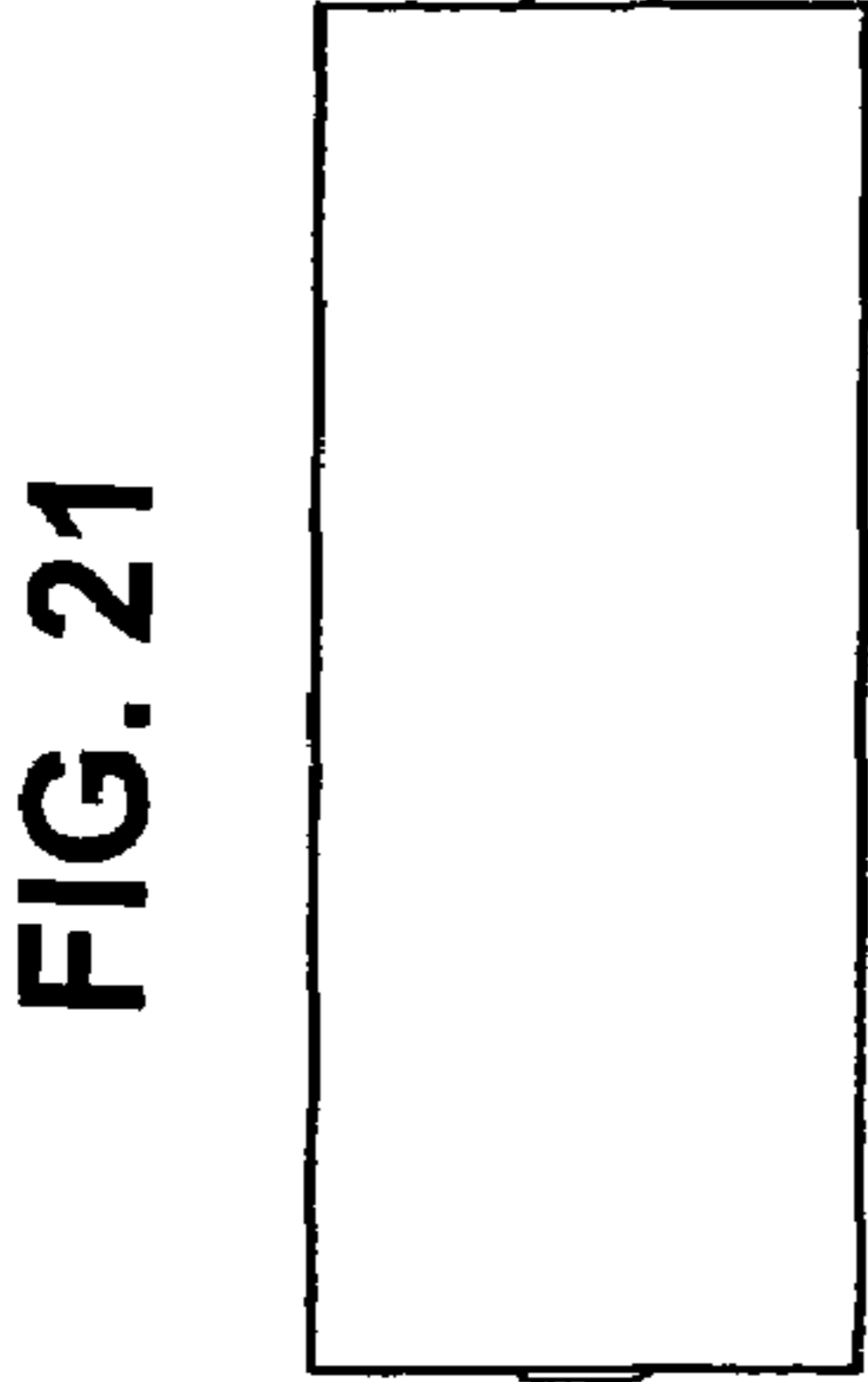


FIG. 21

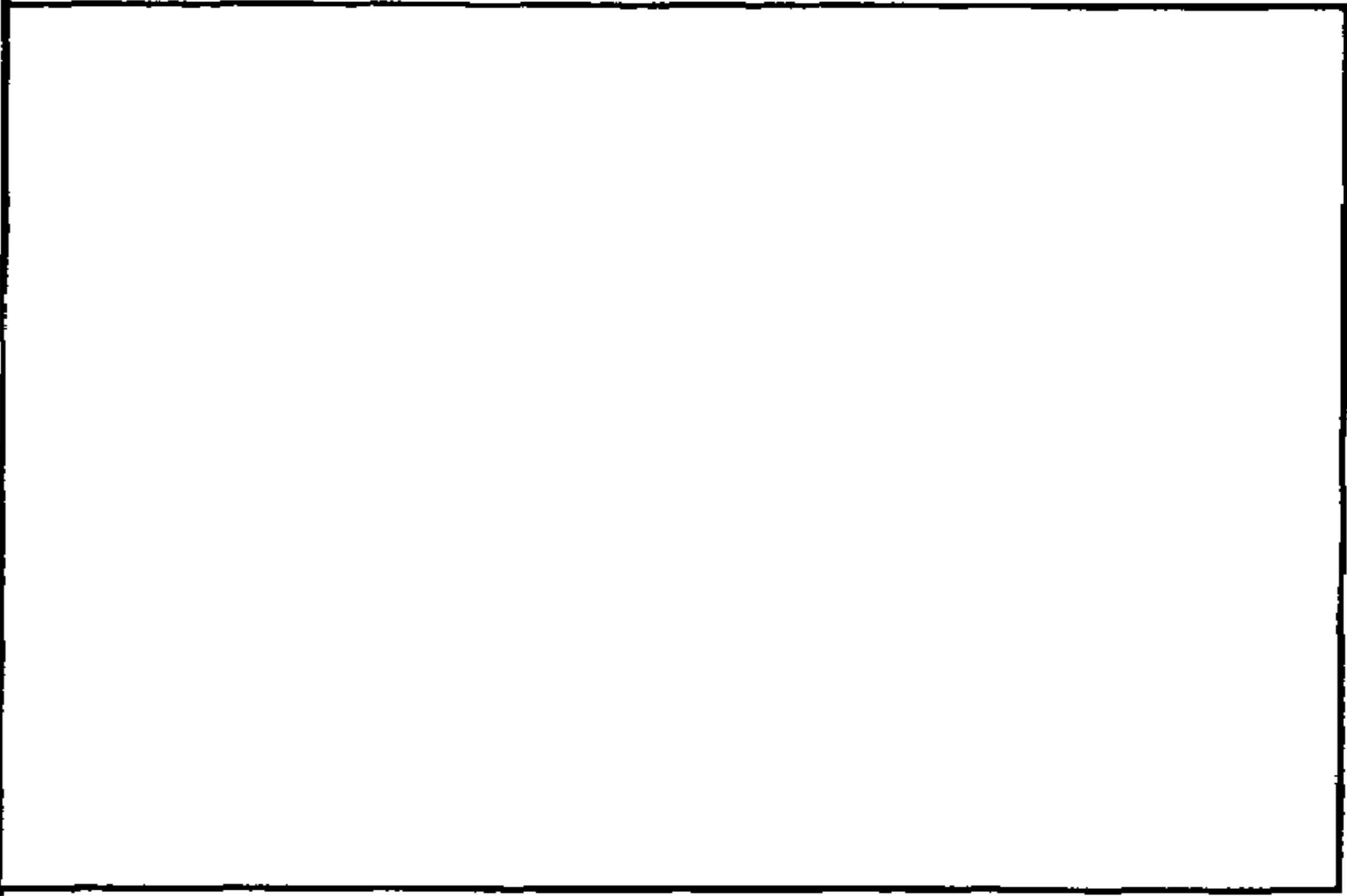


FIG. 23



FIG. 20

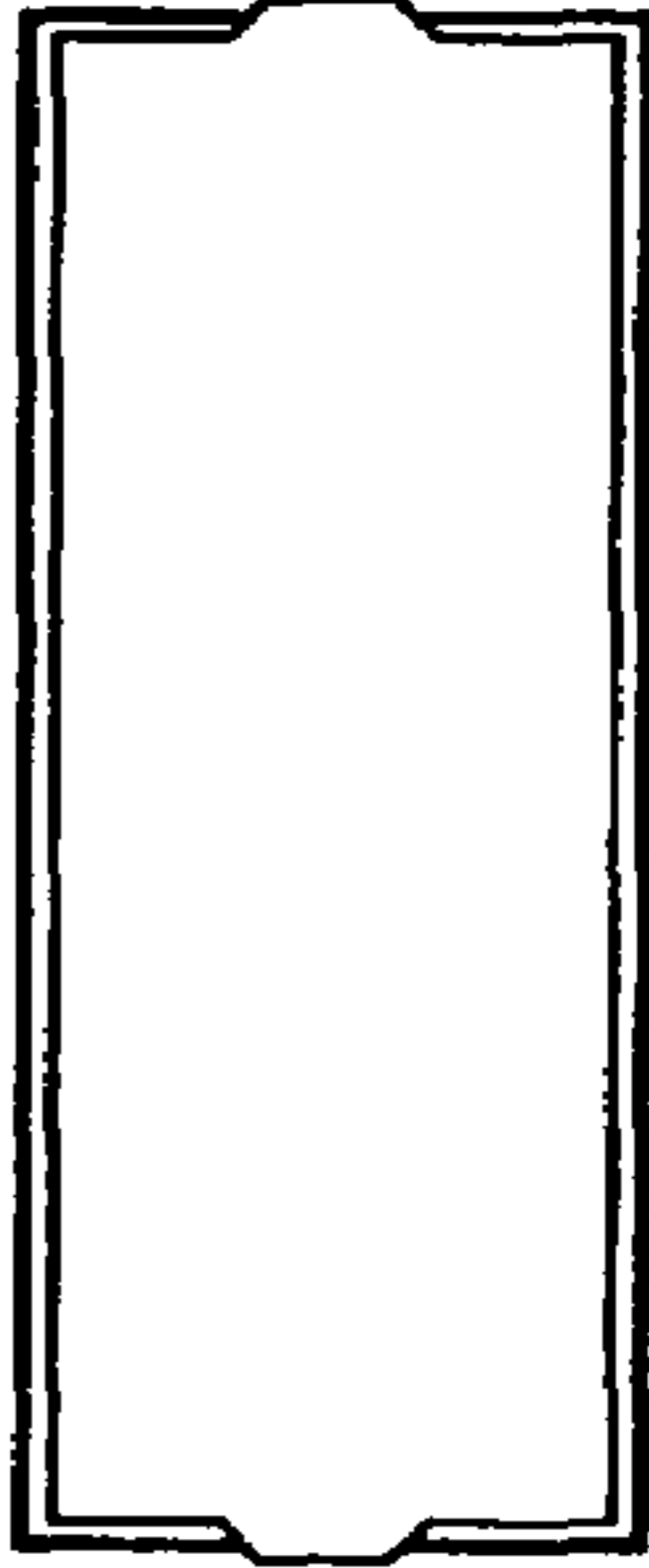


FIG. 22

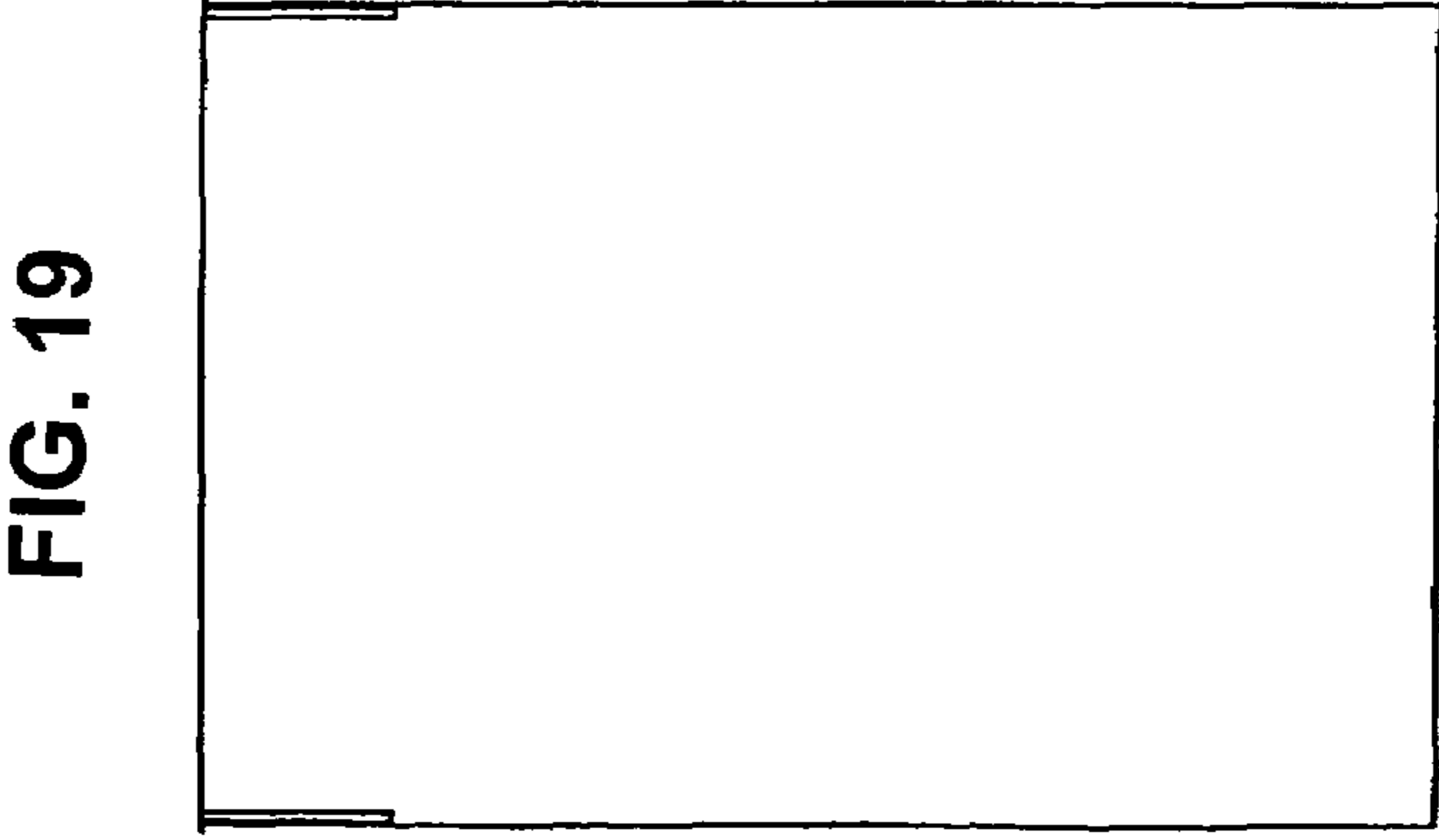


FIG. 19