



US00D575635S

(12) **United States Design Patent**
Rozenzweig

(10) **Patent No.:** **US D575,635 S**

(45) **Date of Patent:** **** Aug. 26, 2008**

(54) **PRODUCT PACKAGE**

(76) Inventor: **Jeff Rozenzweig**, 5 Adams Ave.,
Hauppauge, NY (US) 11788

(**) Term: **14 Years**

(21) Appl. No.: **29/294,679**

(22) Filed: **Jan. 23, 2008**

(51) **LOC (8) Cl.** **09-03**

(52) **U.S. Cl.** **D9/418; D9/431**

(58) **Field of Classification Search** D9/414-418,
D9/420-426, 430-433, 761, 737, 757; D7/357,
D7/629, 602, 553.1-553.8, 538, 591, 615;
206/315.9, 485, 521.1, 539, 564, 541, 546,
206/588, 766, 779, 822; 220/23.8, 23.83,
220/315, 324, 326, 367, 556, 4.21, 4.23,
220/835, 839; 229/406, 902-904, 906, 407,
229/110, 115; D6/470, 397, 441

See application file for complete search history.

(56) **References Cited**

U.S. PATENT DOCUMENTS

D76,634 S *	10/1928	Riegel	D9/430
D91,023 S *	11/1933	Ellisworth	D9/431
D92,775 S *	7/1934	Sekine	D9/418
2,003,600 A *	6/1935	Lowenfels	426/130
D278,516 S *	4/1985	Cillario	D9/425
D345,699 S *	4/1994	Yang	D10/21

D361,262 S *	8/1995	Lusker	D9/430
D373,528 S *	9/1996	Ser Tuen Wei	D9/431
D398,429 S *	9/1998	LeBlanc et al.	D34/6
D424,430 S *	5/2000	Seidler	D9/715
D439,838 S *	4/2001	Sagel et al.	D9/430
D444,061 S *	6/2001	Dardashti	D9/430
D494,859 S *	8/2004	Keberlein	D9/416
D529,815 S *	10/2006	Frasier et al.	D9/636
D540,163 S *	4/2007	Claussen	D9/418

* cited by examiner

Primary Examiner—Robert M. Spear

Assistant Examiner—Susan E Krakower

(74) *Attorney, Agent, or Firm*—Howard C. Miskin, Esq.;
Gloria Tsui-Yip, Esq.

(57) **CLAIM**

The ornamental design for a product package, as shown and described.

DESCRIPTION

FIG. 1 is a perspective view of my new design;

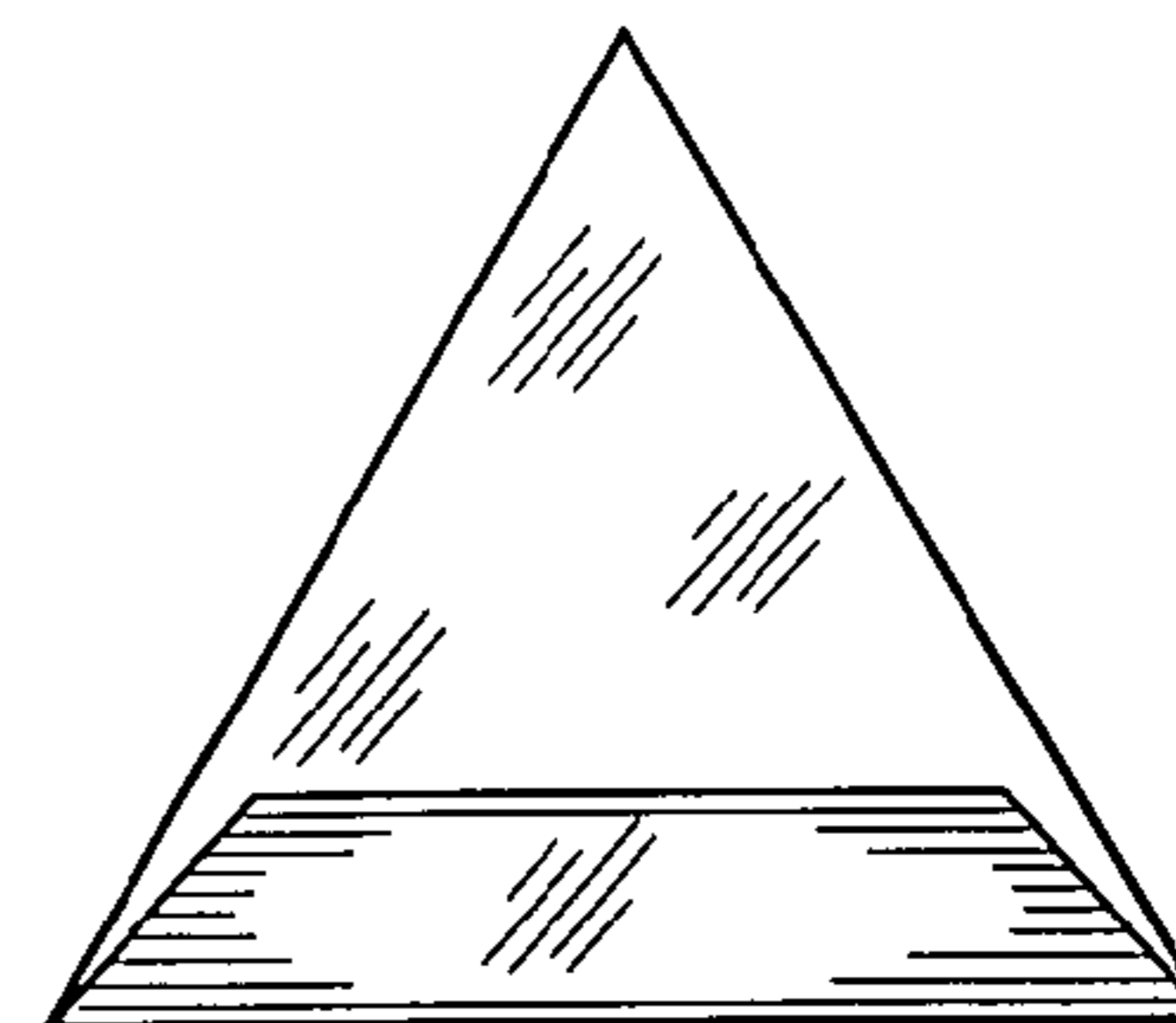
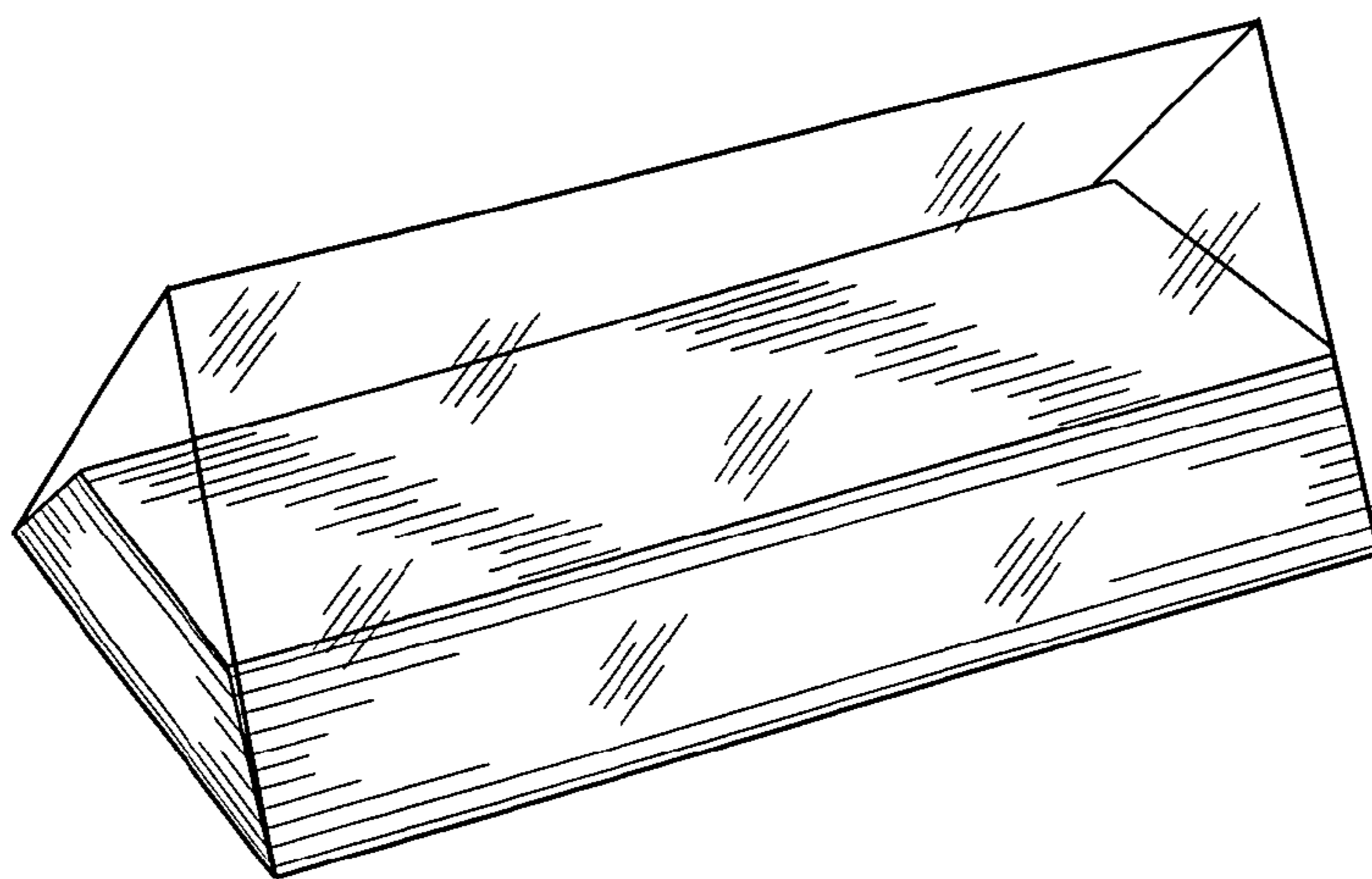
FIG. 2 is a right side view thereof, the left side view thereof being a mirror image;

FIG. 3 is a front elevational view thereof, the rear elevational view thereof being a mirror image;

FIG. 4 is a top plan view thereof; and,

FIG. 5 is a bottom plan view thereof.

1 Claim, 2 Drawing Sheets



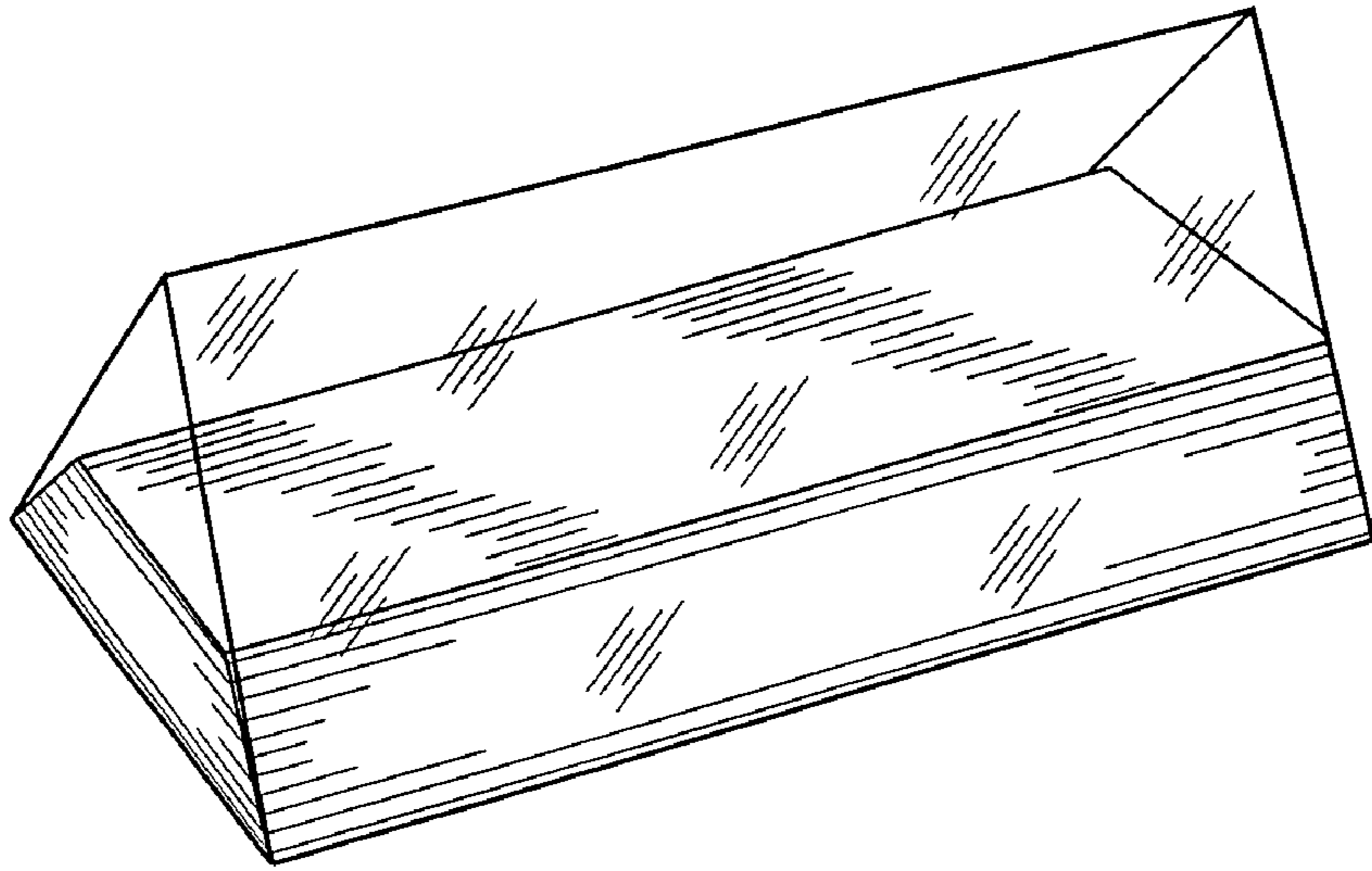


FIG. 1

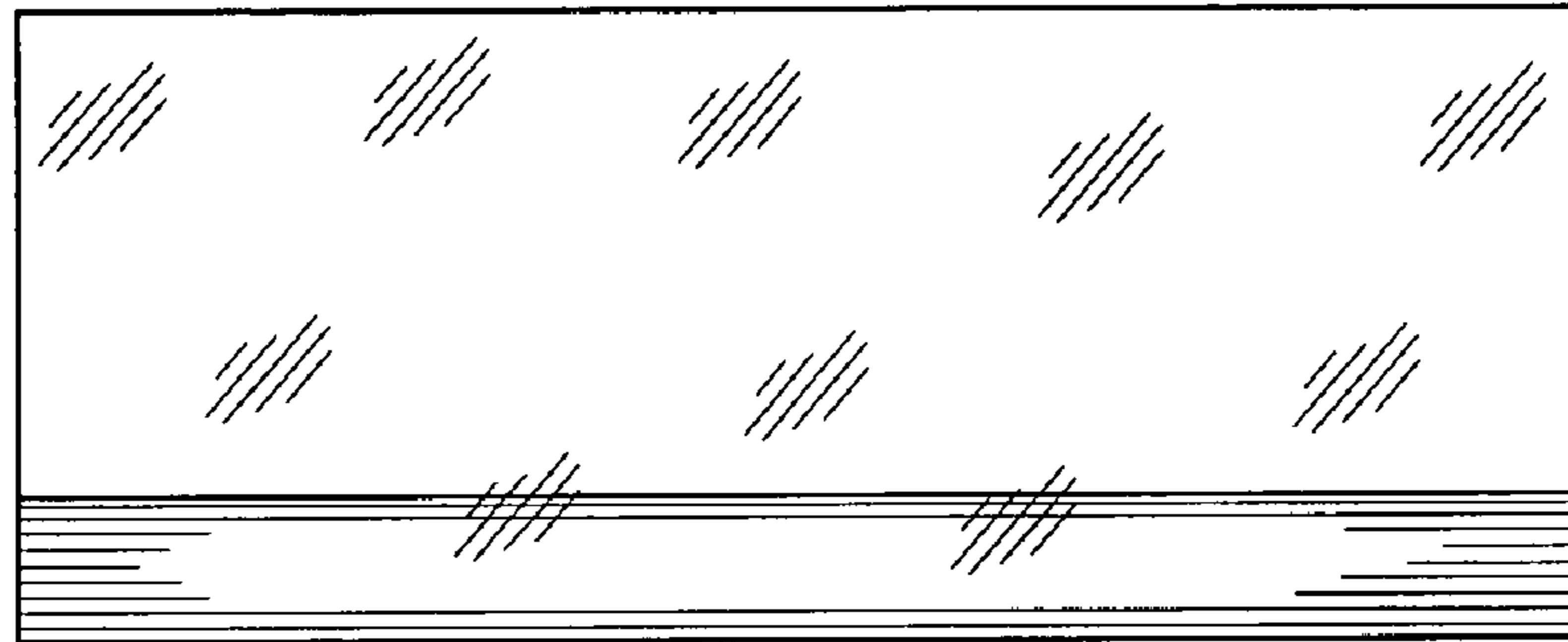


FIG. 2

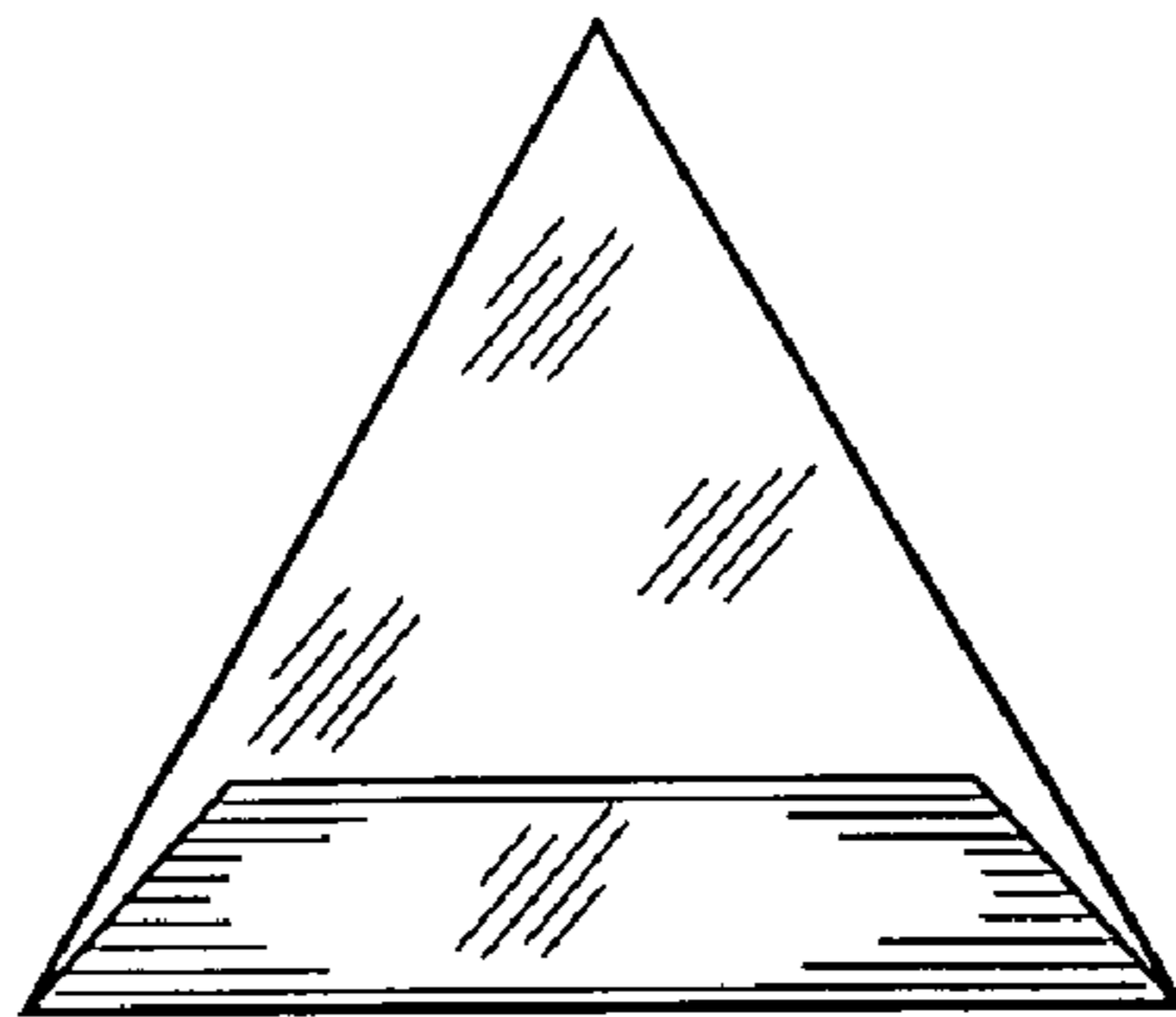


FIG. 3

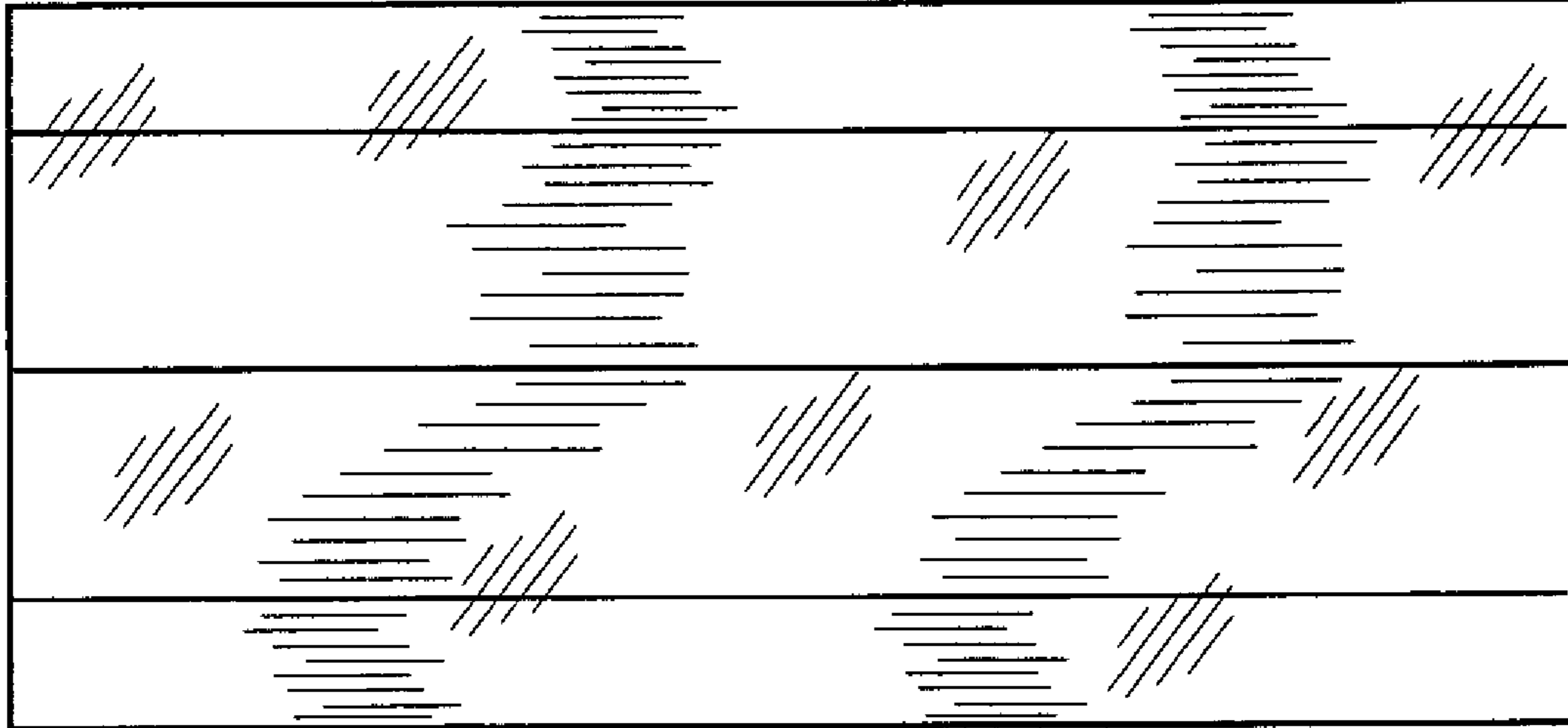


FIG. 4

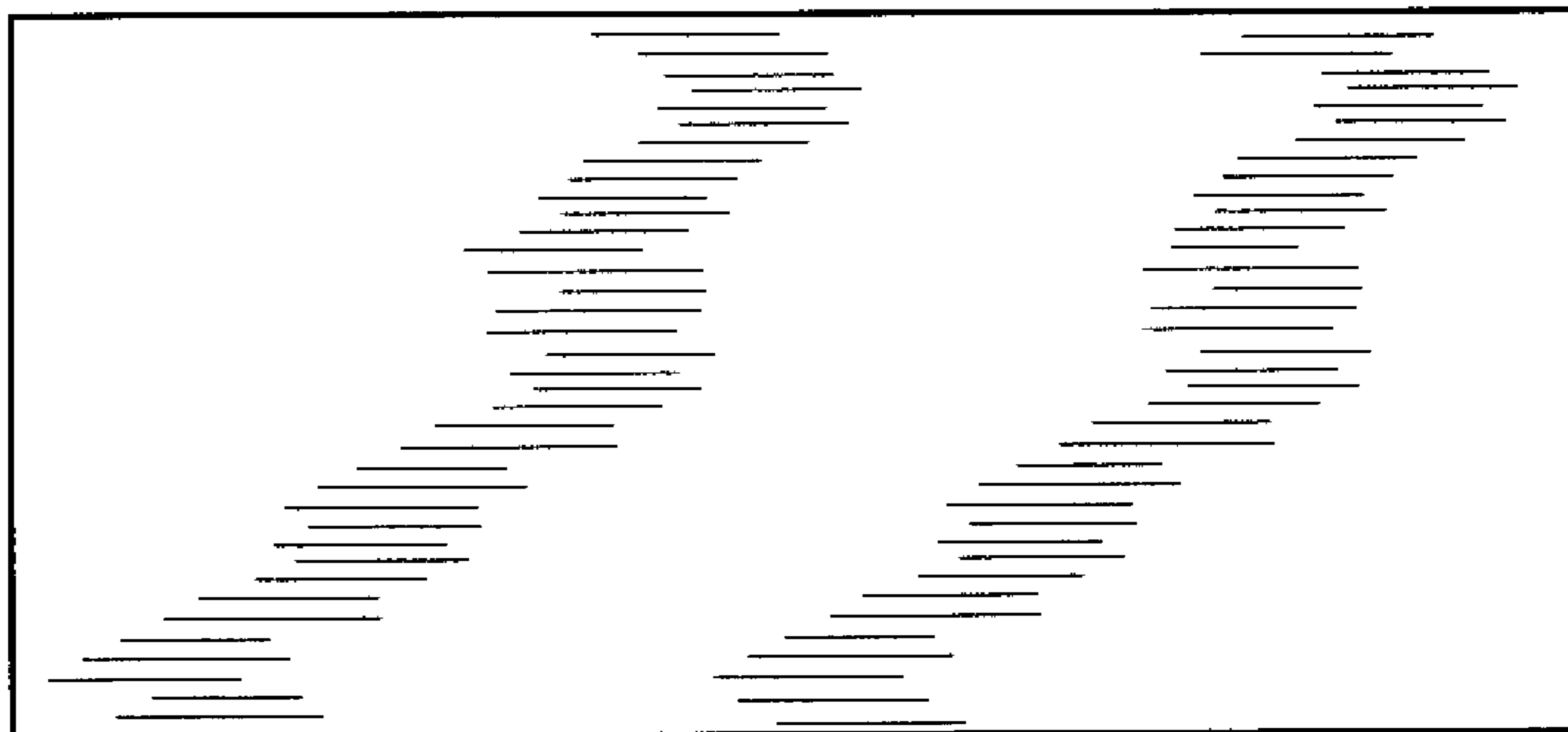


FIG. 5