



US00D575634S

(12) **United States Design Patent**
Lin

(10) **Patent No.:** **US D575,634 S**
(45) **Date of Patent:** **** Aug. 26, 2008**

(54) **NUT**
(75) **Inventor:** **Chen-Mao Lin**, Rende Township, Tainan County (TW)
(73) **Assignee:** **Tech Stell Co., Ltd.**, Tainan County (TW)
(**) **Term:** **14 Years**
(21) **Appl. No.:** **29/281,135**
(22) **Filed:** **Jun. 15, 2007**

D245,067 S * 7/1977 Coldren D8/397
4,521,146 A * 6/1985 Wharton 411/1
4,571,452 A * 2/1986 Giubileo 174/77 R
4,668,143 A * 5/1987 Rotar 411/140
5,064,326 A * 11/1991 Davis et al. 411/368
5,879,117 A * 3/1999 Chen et al. 411/373
5,885,034 A * 3/1999 Fergusson 405/302.1
5,897,277 A * 4/1999 Barre et al. 411/331
6,418,609 B1 * 7/2002 Wojciechowski et al. .. 29/432.1
D484,036 S * 12/2003 Koch D8/397
6,695,557 B2 * 2/2004 Hove et al. 411/429
D487,562 S * 3/2004 Campbell D8/397
7,278,341 B1 * 10/2007 Novin et al. 81/121.1
7,331,874 B2 * 2/2008 Lin 470/41
2007/0243040 A1 * 10/2007 Chen 411/161

(51) **LOC (8) Cl.** **08-08**
(52) **U.S. Cl.** **D8/397**
(58) **Field of Classification Search** D8/382,
D8/387, 394, 397-399, 29; 81/121.1; 222/412;
411/81, 88, 90-93, 96-98, 103, 114, 106-108,
411/132-165, 172-189, 337, 338, 366.1-366.3,
411/368, 369, 371.2, 371.5, 418, 427, 429-432,
411/436, 437, 526, 531-538, 542, 544; D12/213
See application file for complete search history.

FOREIGN PATENT DOCUMENTS

GB 2426801 A * 12/2006

* cited by examiner

Primary Examiner—T. Chase Nelson

Assistant Examiner—Karen Acker

(74) *Attorney, Agent, or Firm*—Alan Kamrath; Kamrath & Associates PA

(56) **References Cited**

U.S. PATENT DOCUMENTS

391,891 A * 10/1888 Fox 16/2.4
392,731 A * 11/1888 Howes 238/260
462,318 A * 11/1891 Loehner 411/132
D27,467 S * 8/1897 Smith D8/344
1,210,014 A * 12/1916 Stafford 411/370
2,101,514 A * 12/1937 Schmaus 285/46
2,506,953 A * 5/1950 Dzus 411/555
2,877,817 A * 3/1959 Rockwell 411/106
2,923,339 A * 2/1960 Skidmore 411/277
3,117,611 A * 1/1964 Matthews 411/103
3,369,817 A * 2/1968 Bandy et al. 277/637
3,482,481 A * 12/1969 Newell et al. 411/402
3,577,577 A * 5/1971 Zak 470/163
D243,154 S * 1/1977 Dieme D8/387

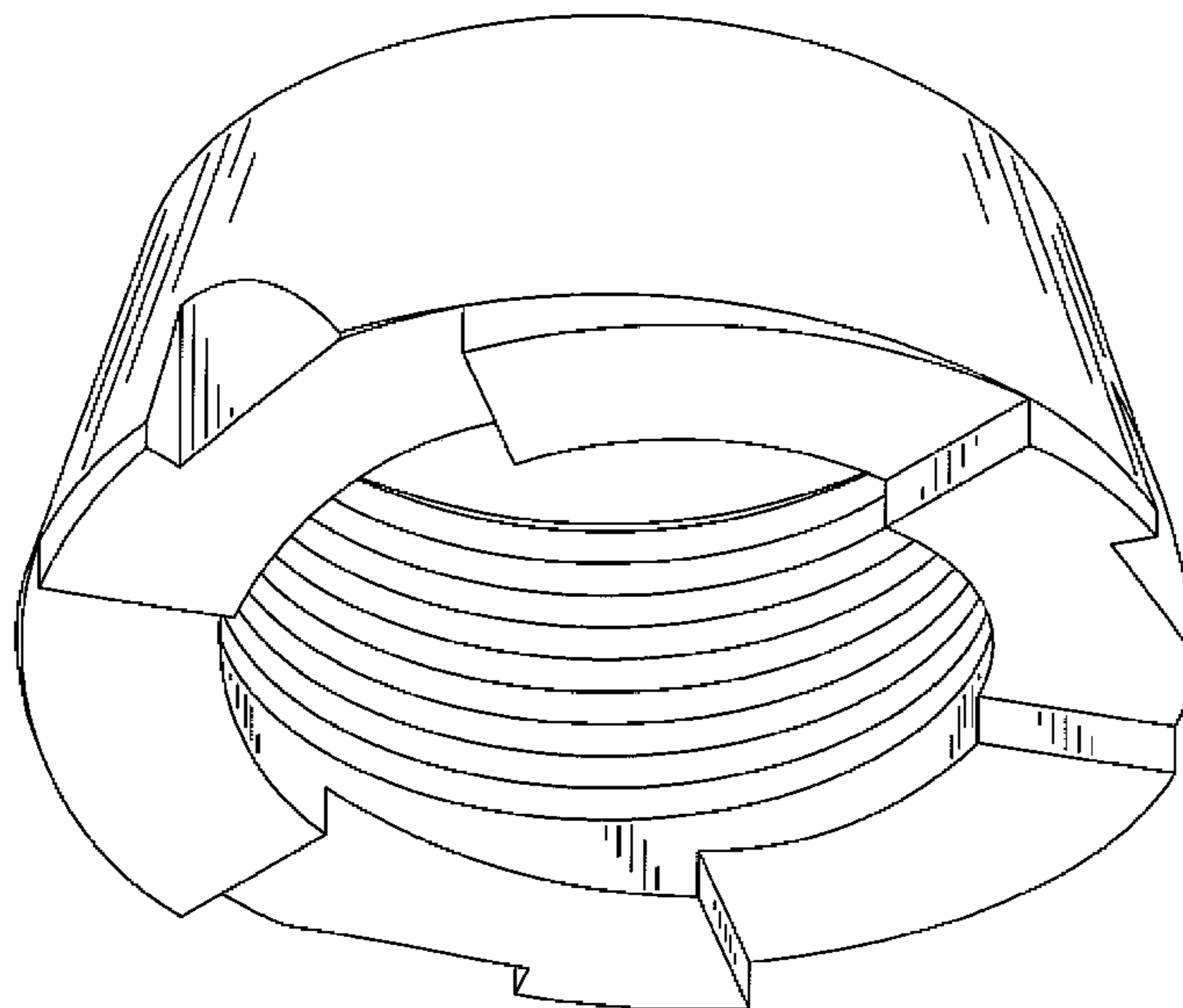
(57) **CLAIM**

The ornamental design for a nut, as shown and described.

DESCRIPTION

FIG. 1 is a perspective view of a nut showing my design;
FIG. 2 is a front elevational view thereof;
FIG. 3 is a rear elevational view thereof;
FIG. 4 is a left side elevational view thereof;
FIG. 5 is a right side elevational view thereof;
FIG. 6 is a top plan view thereof; and,
FIG. 7 is a bottom plan view thereof.

1 Claim, 4 Drawing Sheets



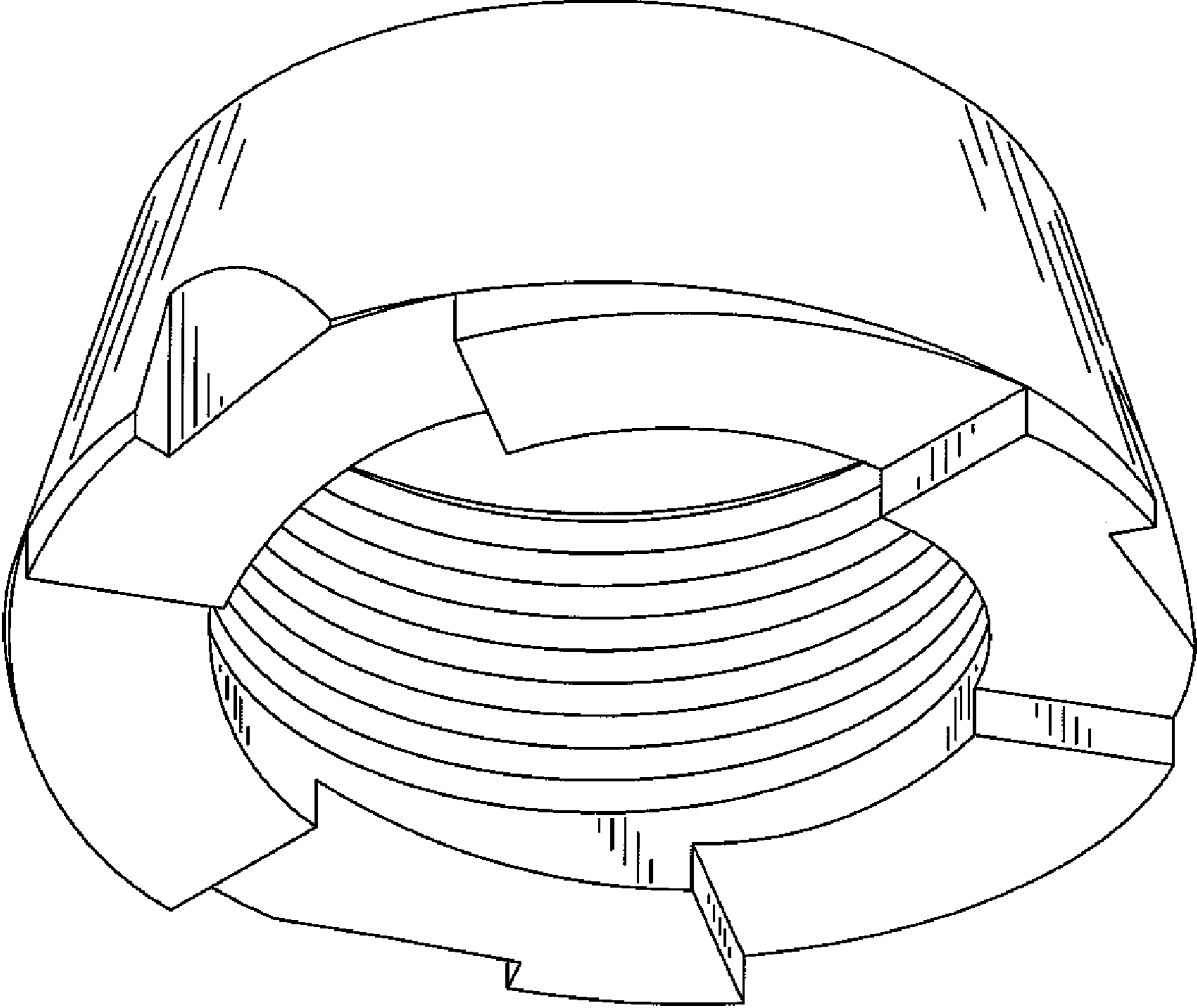


FIG. 1

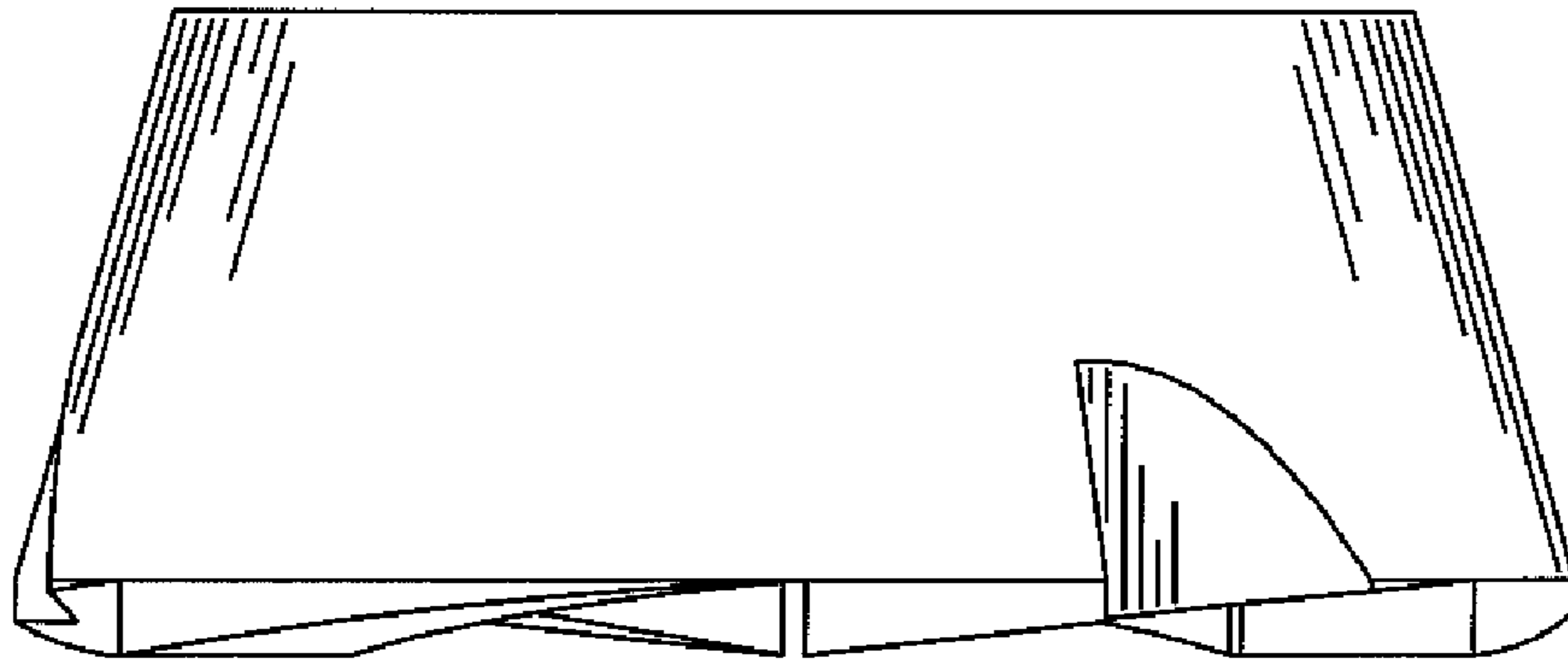


FIG. 3

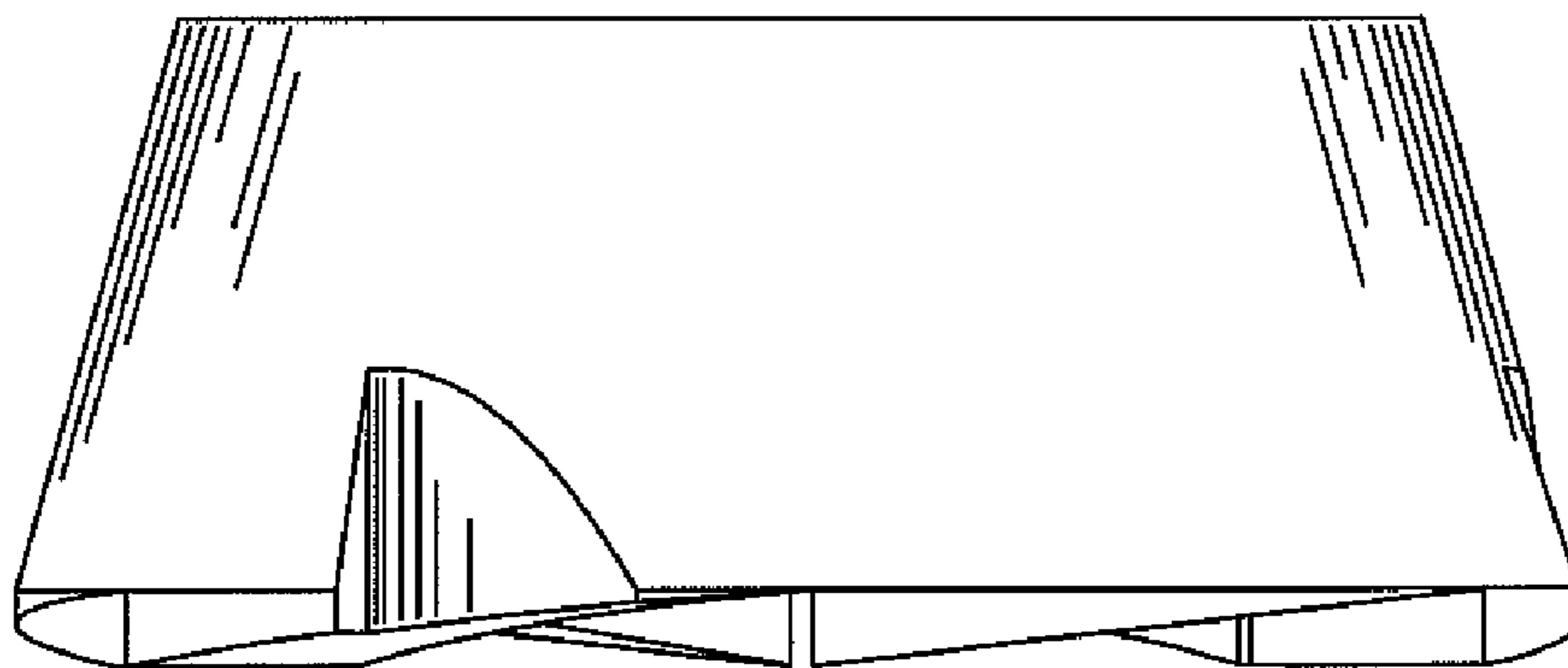


FIG. 2

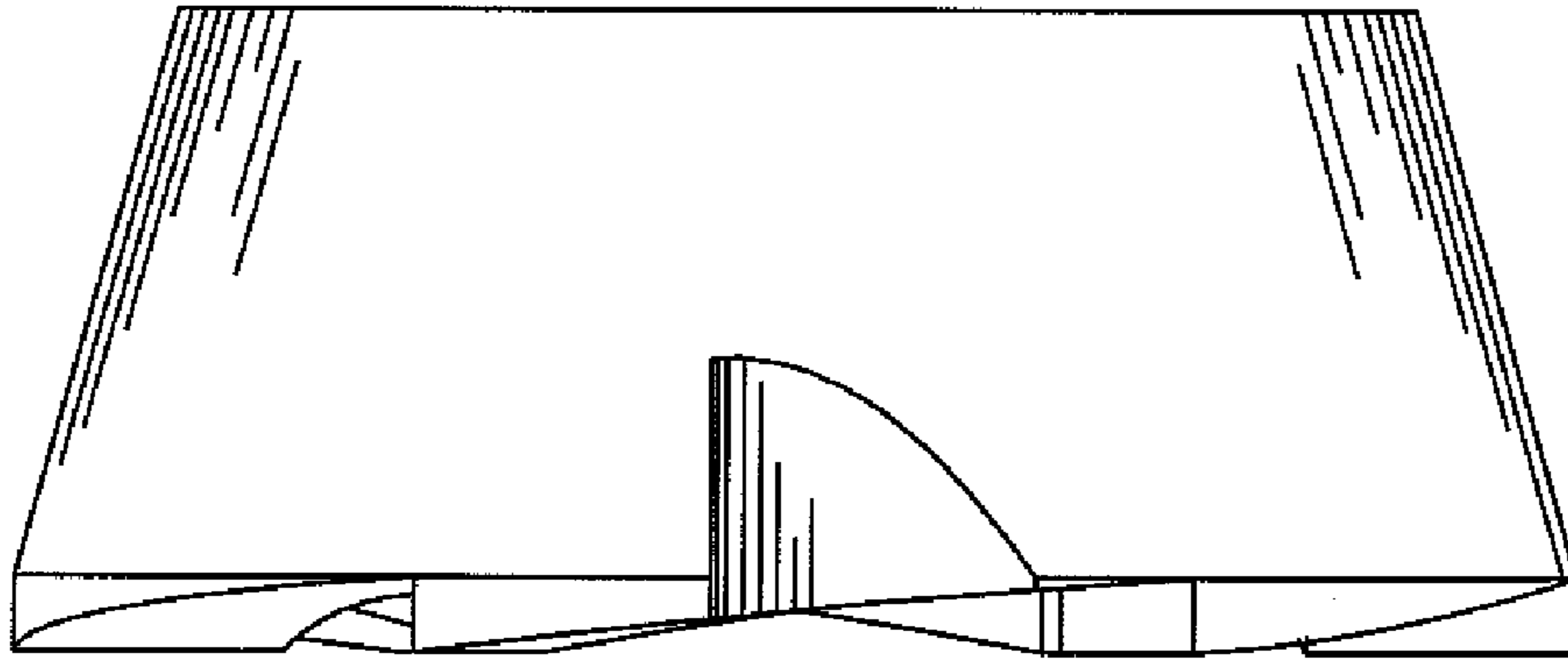


FIG. 4

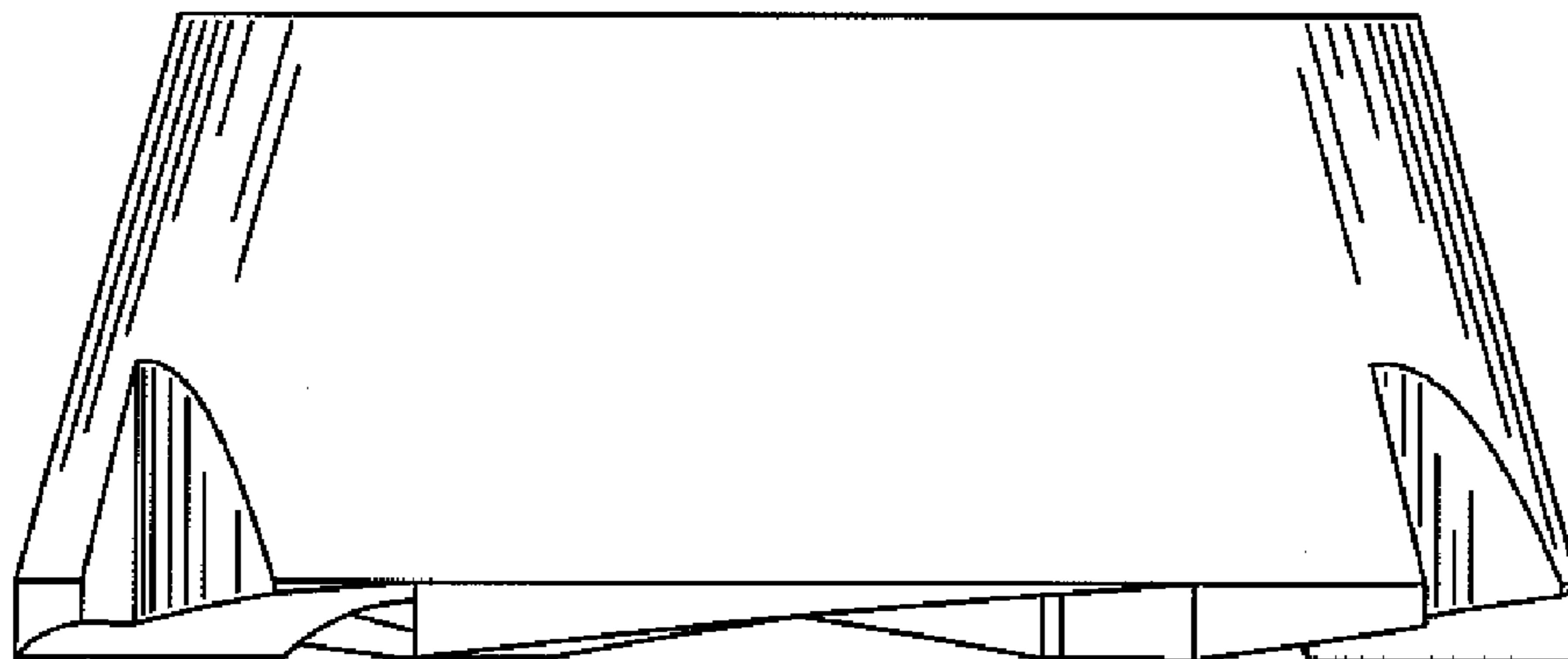


FIG. 5

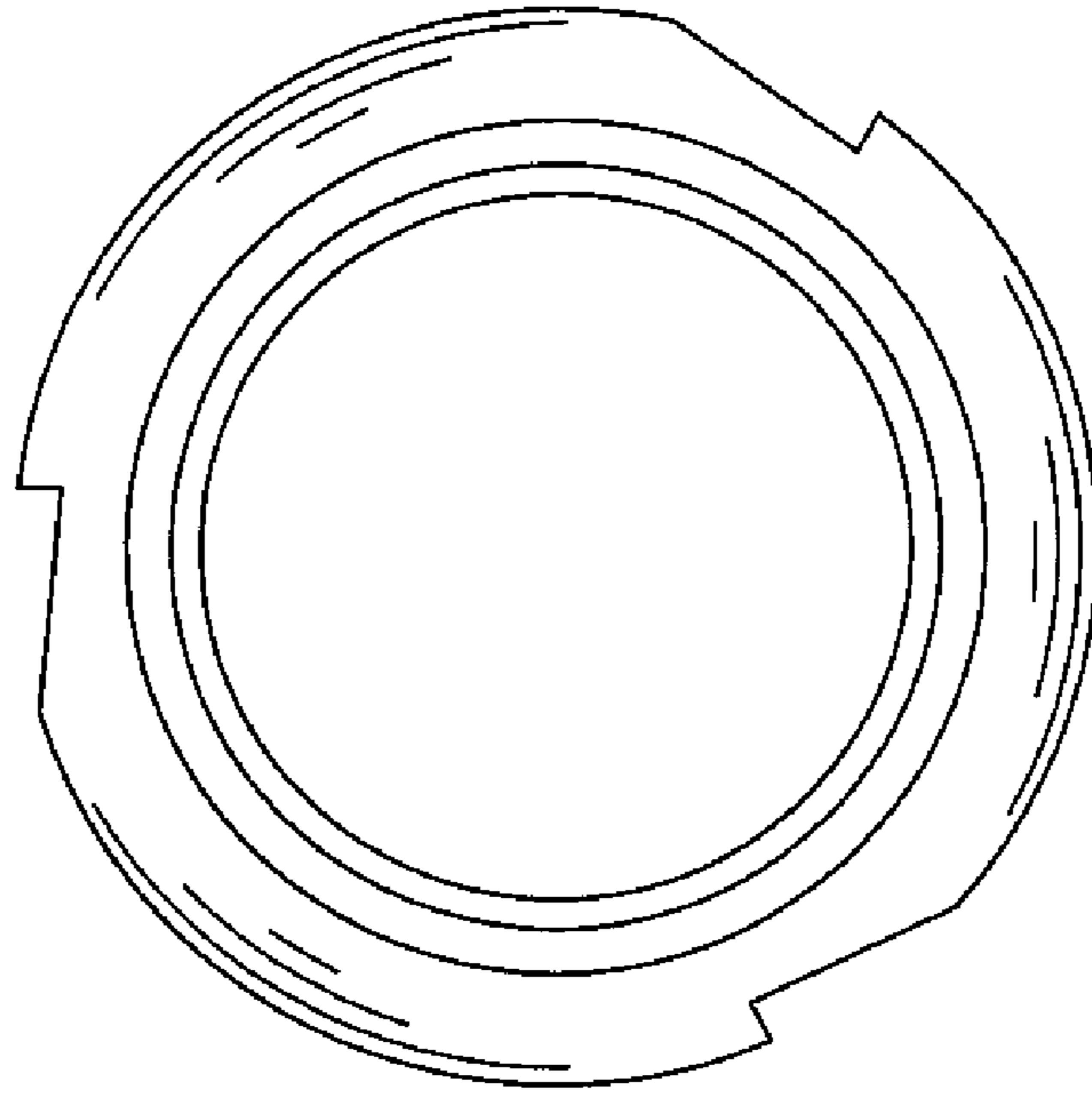


FIG. 6

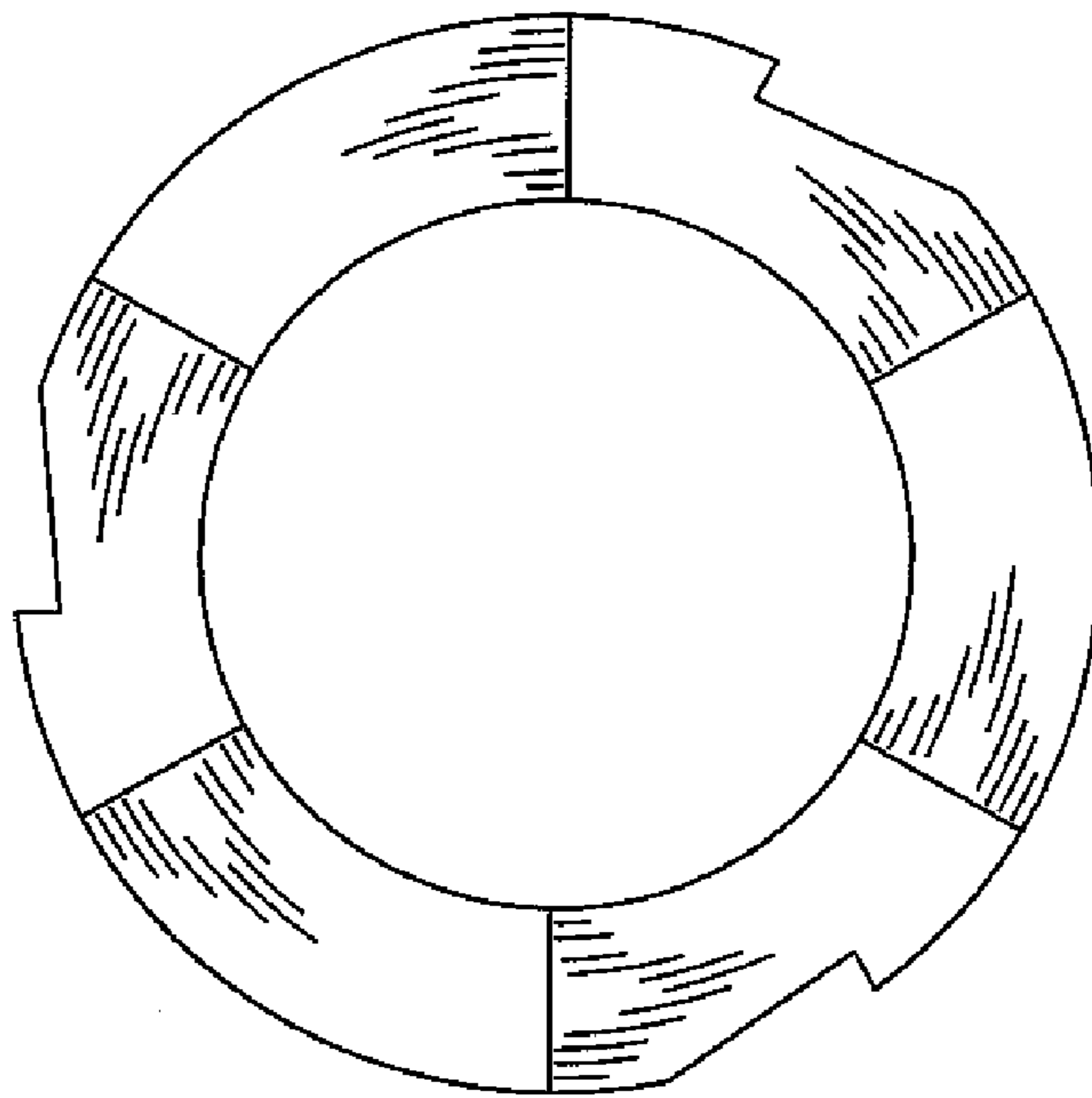


FIG. 7