



US00D575633S

(12) **United States Design Patent**  
**Thornton**

(10) **Patent No.:** **US D575,633 S**

(45) **Date of Patent:** **\*\* Aug. 26, 2008**

(54) **WALL TIE**

(75) Inventor: **Phillip Thornton**, Oxley Island (AU)

(73) Assignee: **Matrix Industries Pty Ltd**, Oxley Island, NSW (AU)

(\*\*) Term: **14 Years**

(21) Appl. No.: **29/287,466**

(22) Filed: **Aug. 10, 2007**

(30) **Foreign Application Priority Data**

Feb. 19, 2007 (AU) ..... 16464/2007

(51) **LOC (8) Cl.** ..... **08-08**

(52) **U.S. Cl.** ..... **D8/384**

(58) **Field of Classification Search** ..... D8/384;  
52/712, 713, 714

See application file for complete search history.

(56) **References Cited**

**U.S. PATENT DOCUMENTS**

1,505,871 A \* 8/1924 Curtis ..... 52/712  
1,646,312 A \* 10/1927 Choc et al. .... 52/714  
1,725,200 A \* 8/1929 Lampert ..... 52/379  
2,262,130 A \* 11/1941 Bagley ..... 52/714  
2,279,644 A \* 4/1942 Spalding ..... 52/506.03

D246,573 S \* 12/1977 White ..... D8/384  
4,722,163 A \* 2/1988 Thornton et al. .... 52/713  
D352,655 S \* 11/1994 Anderson et al. .... D8/384  
2007/0011964 A1 \* 1/2007 Smith ..... 52/285.3

\* cited by examiner

*Primary Examiner*—Holly H. Baynham

*Assistant Examiner*—Sheryl Friedman

(74) *Attorney, Agent, or Firm*—Finnegan, Henderson, Farabow, Garrett & Dunner, L.L.P.

(57) **CLAIM**

The ornamental design for a wall tie, as shown and described.

**DESCRIPTION**

FIG. 1 is a perspective view of a wall tie of my new design;

FIG. 2 is a front view of my new design, the rear view being a mirror image thereof;

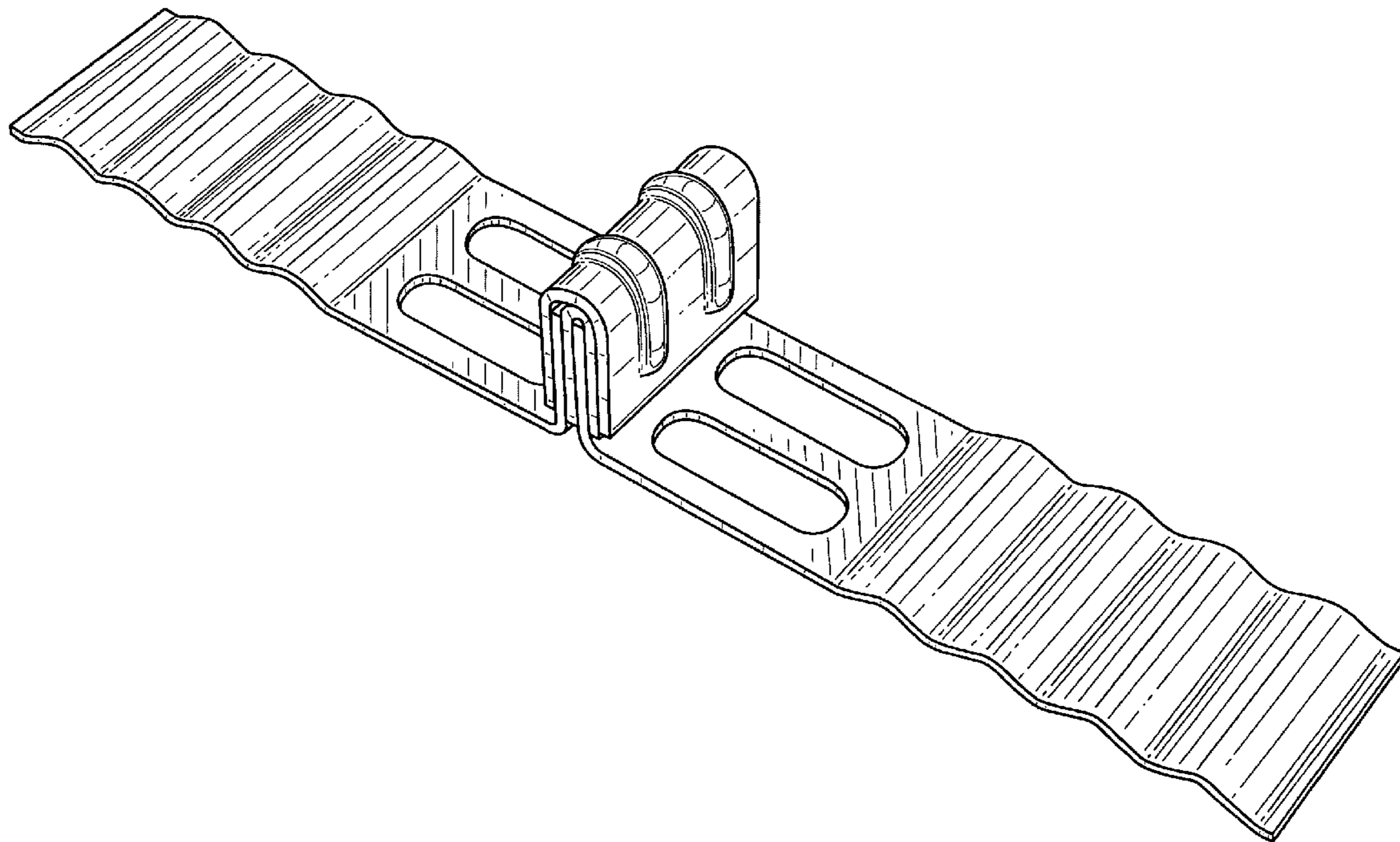
FIG. 3 is a top plan view thereof;

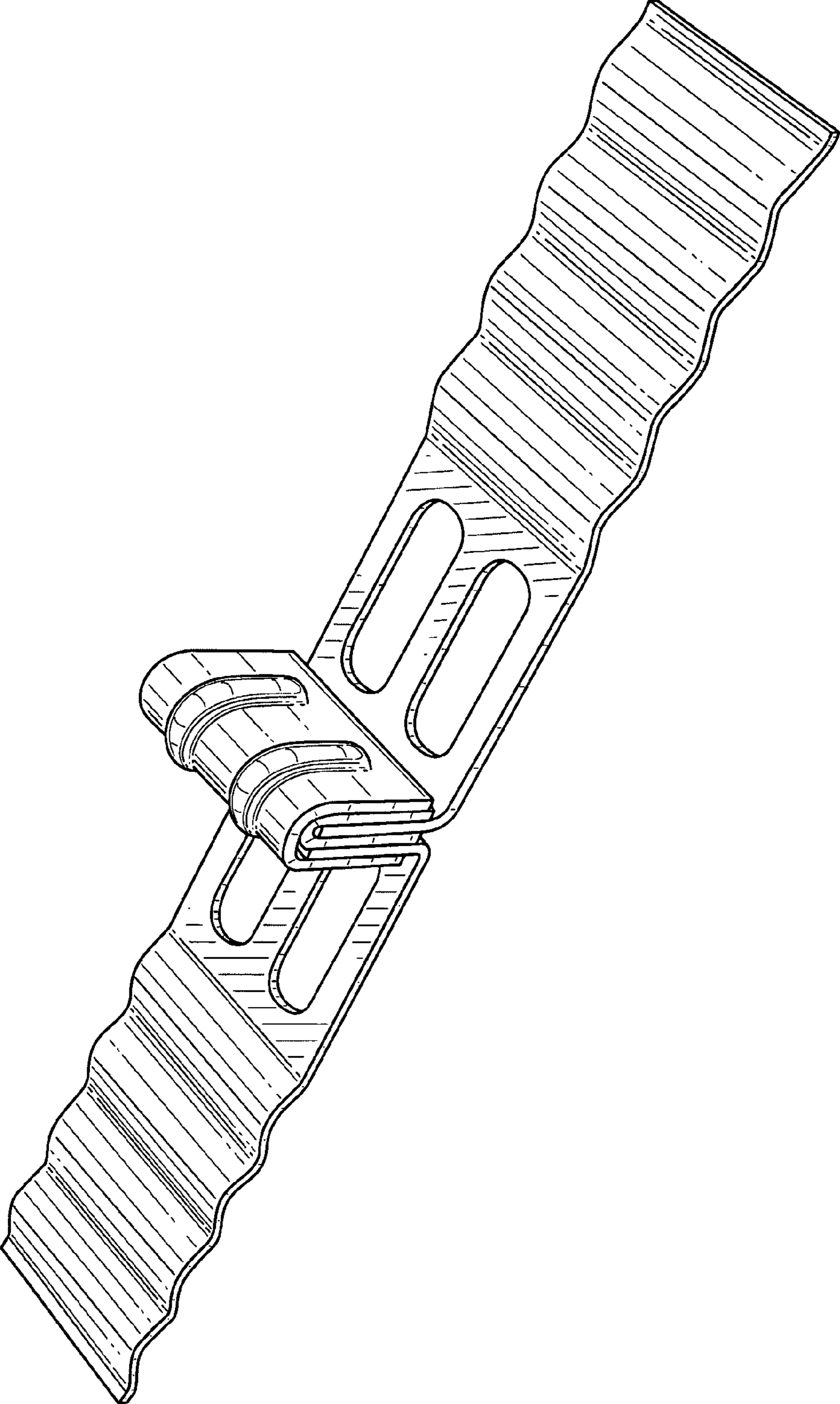
FIG. 4 is a bottom plan view thereof;

FIG. 5 is a top plan view of a wall tie of my new design, where the elongated elements and the apertures therein are of indefinite length; and,

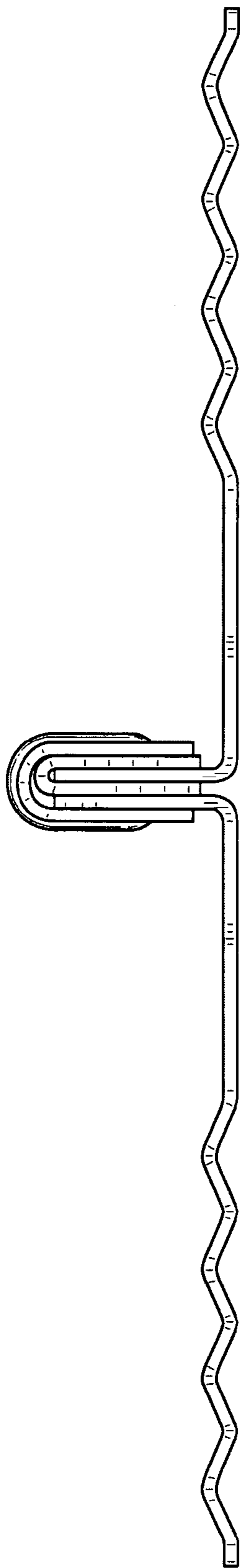
FIG. 6 is a right side view thereof, the left side view being a mirror image thereof.

**1 Claim, 5 Drawing Sheets**

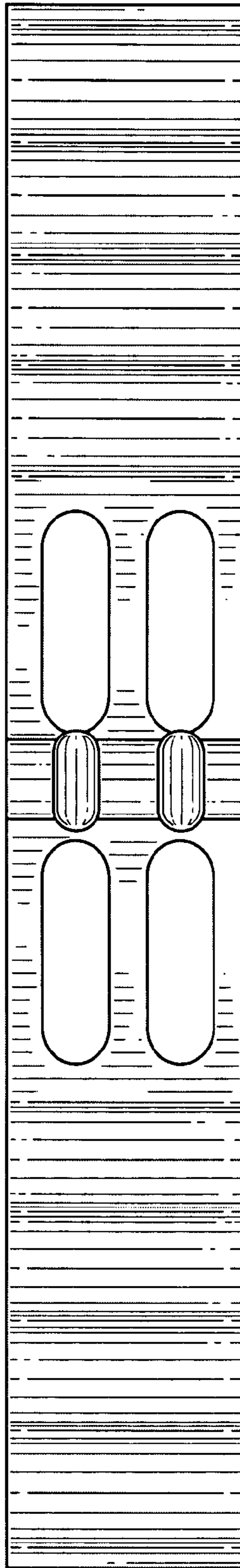




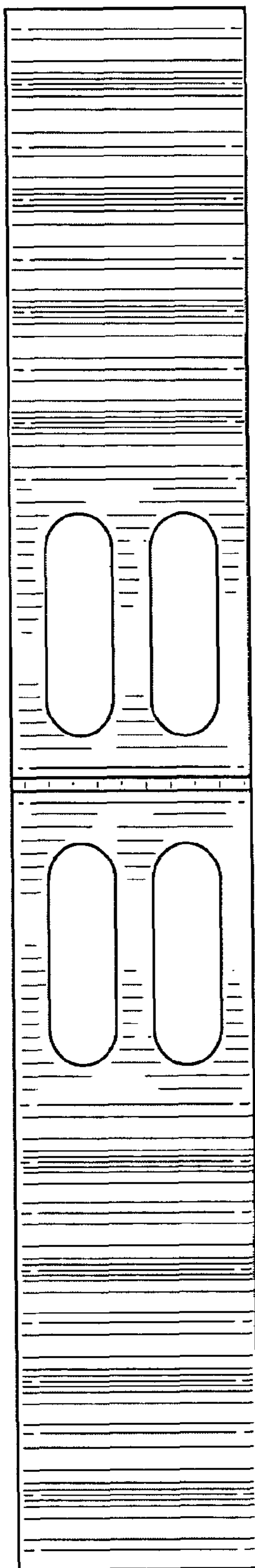
**FIG. 1**



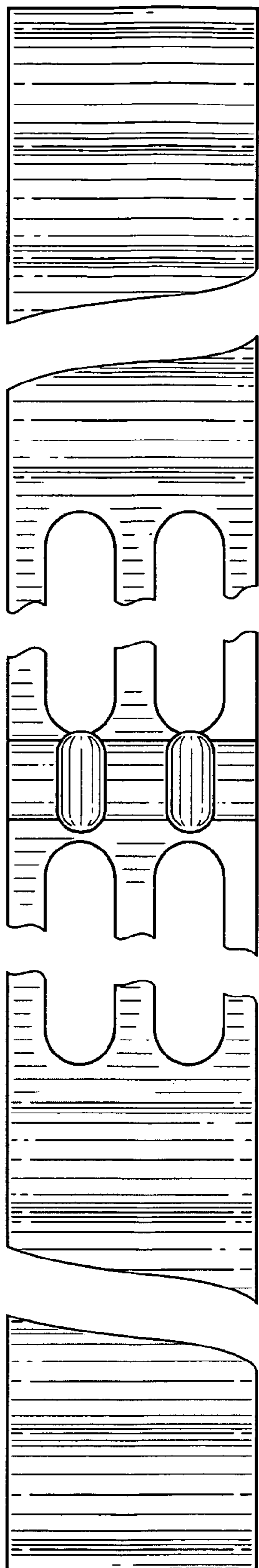
**FIG. 2**



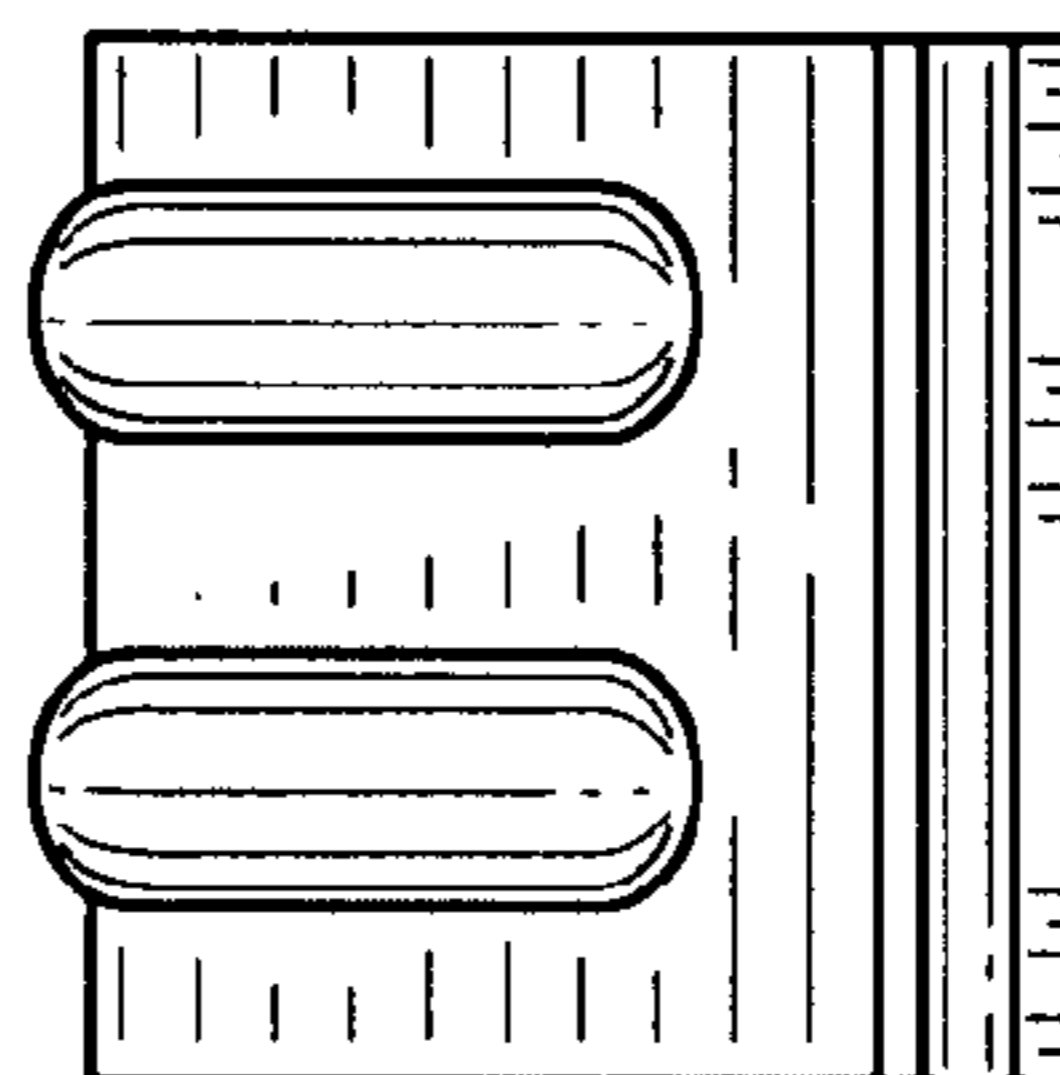
**FIG. 3**



**FIG. 4**



**FIG. 5**



**FIG. 6**