



US00D575631S

(12) **United States Design Patent**
Huang

(10) **Patent No.:** **US D575,631 S**

(45) **Date of Patent:** **** Aug. 26, 2008**

(54) **BRACKET**

(75) Inventor: **Nan Huang Huang**, Rancho Palos Verdes, CA (US)

(73) Assignee: **Grand General Accessories Manufacturing Inc.**, Rancho Dominguez, CA (US)

(**) Term: **14 Years**

(21) Appl. No.: **29/289,065**

(22) Filed: **Jul. 2, 2007**

(51) **LOC (8) Cl.** **08-05**

(52) **U.S. Cl.** **D8/354**

(58) **Field of Classification Search** D8/349, D8/354, 366, 377; D25/119-125, 199; D6/445, D6/580; 248/300, 200, 237, 208, 218.4, 248/213.1, 309.1, 310; D14/239; 52/716.1-716.6, 52/716.8, 717.01, 718.04, 287.1

See application file for complete search history.

(56) **References Cited**

U.S. PATENT DOCUMENTS

D236,202 S * 8/1975 Starck D8/377
D299,760 S * 2/1989 Hagg D25/119

D342,326 S * 12/1993 Hansson D25/119
D420,149 S * 2/2000 Hersh et al. D25/119
D462,601 S * 9/2002 Chaney D8/354
D490,167 S * 5/2004 Eichner et al. D25/119
D554,772 S * 11/2007 Bullock D25/119

* cited by examiner

Primary Examiner—Holly H. Baynham

Assistant Examiner—Cynthia M Chin

(74) *Attorney, Agent, or Firm*—Thomas I. Rozsa

(57) **CLAIM**

The ornamental design for a bracket, as shown and described.

DESCRIPTION

FIG. 1 is a perspective view of a bracket, showing my design.

FIG. 2 is a front elevational view;

FIG. 3 is a rear elevational view;

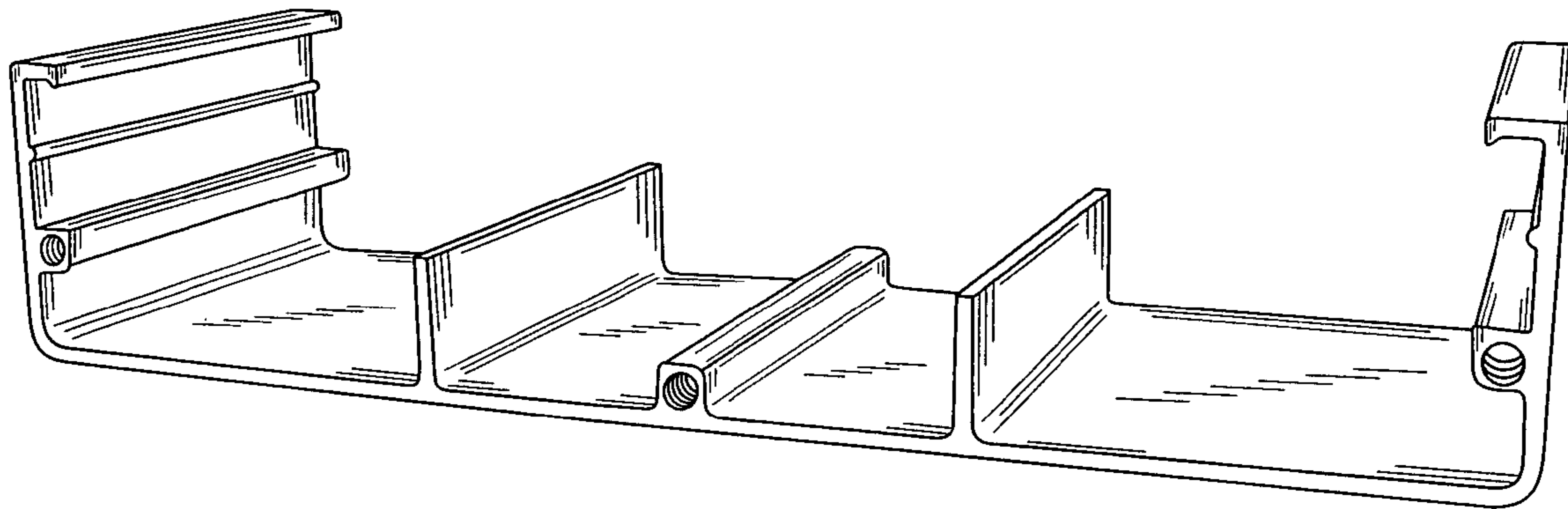
FIG. 4 is a top plan view;

FIG. 5 is a bottom plan view;

FIG. 6 is a side elevational view when viewed from the right side; and,

FIG. 7 is a side elevational view when viewed from the left side.

1 Claim, 4 Drawing Sheets



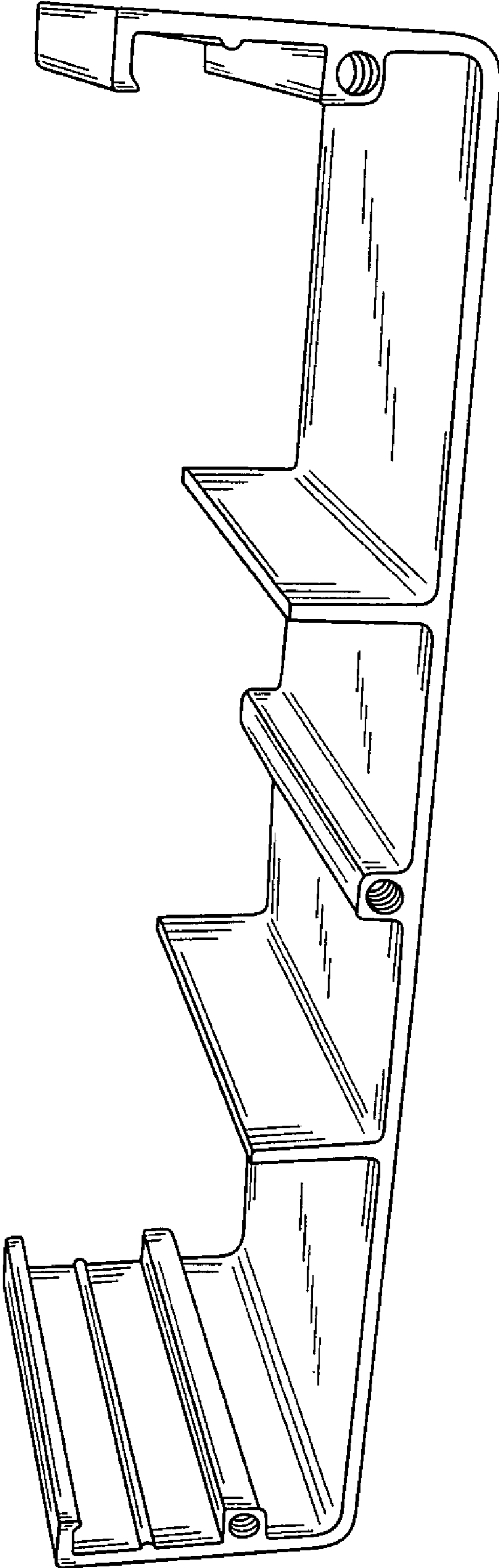


FIG. 1

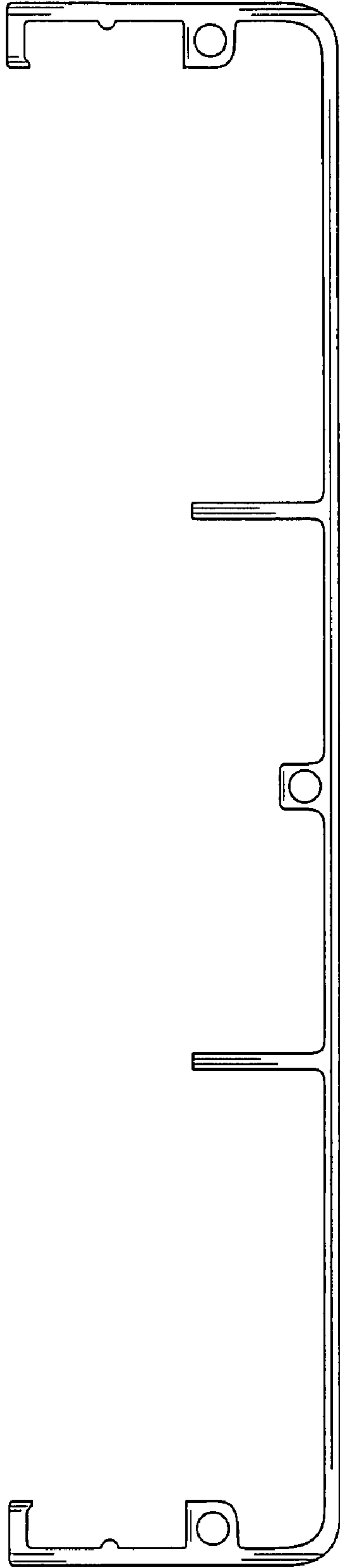


FIG. 2

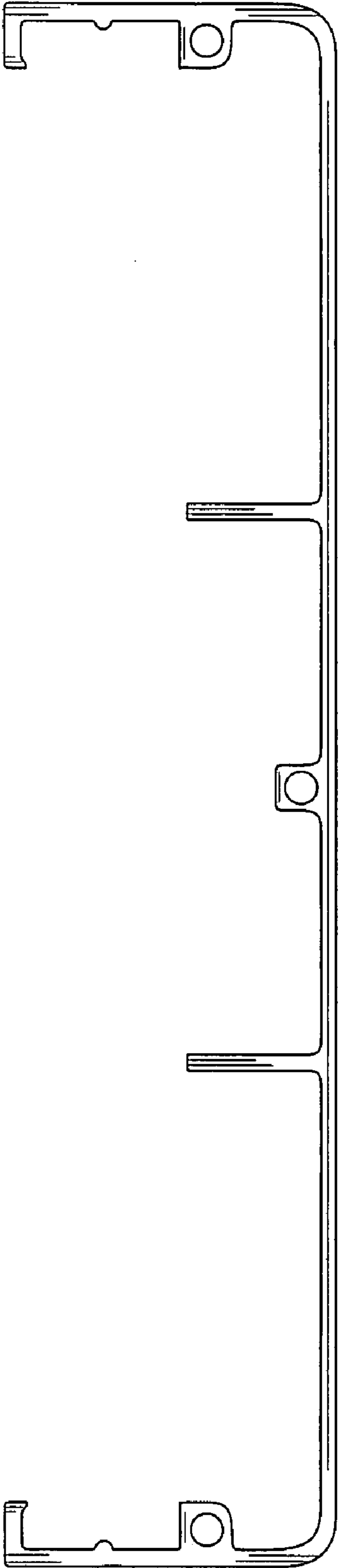


FIG. 3

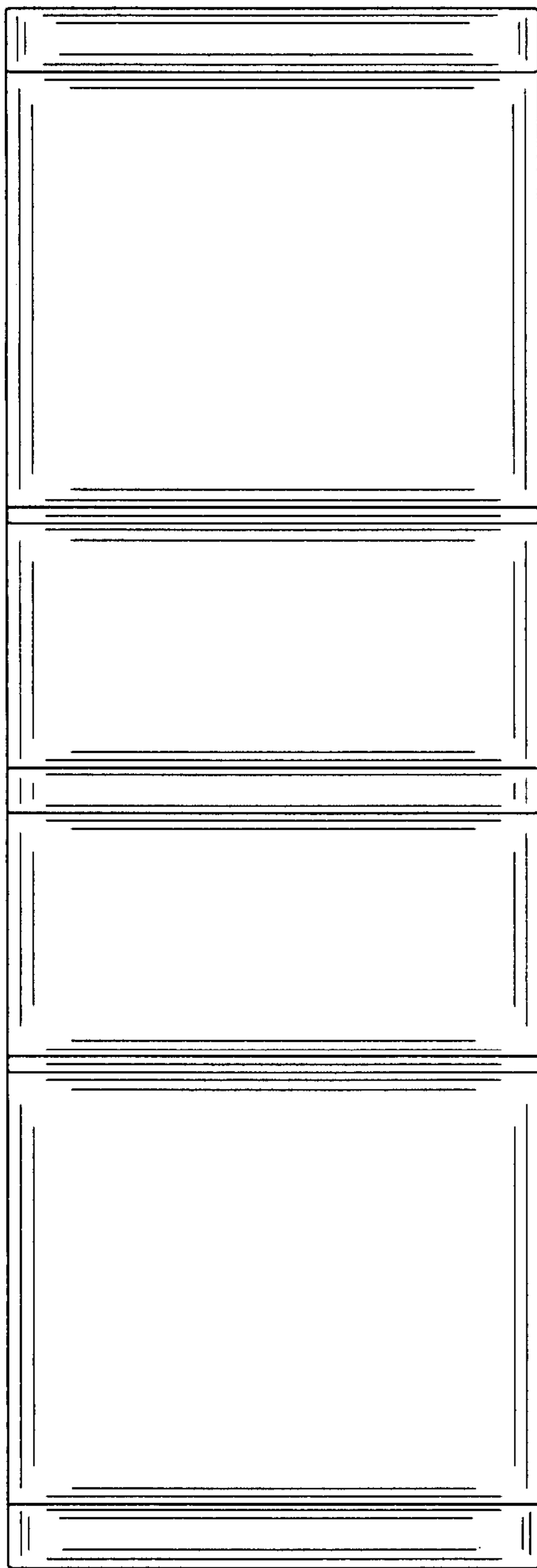


FIG. 4

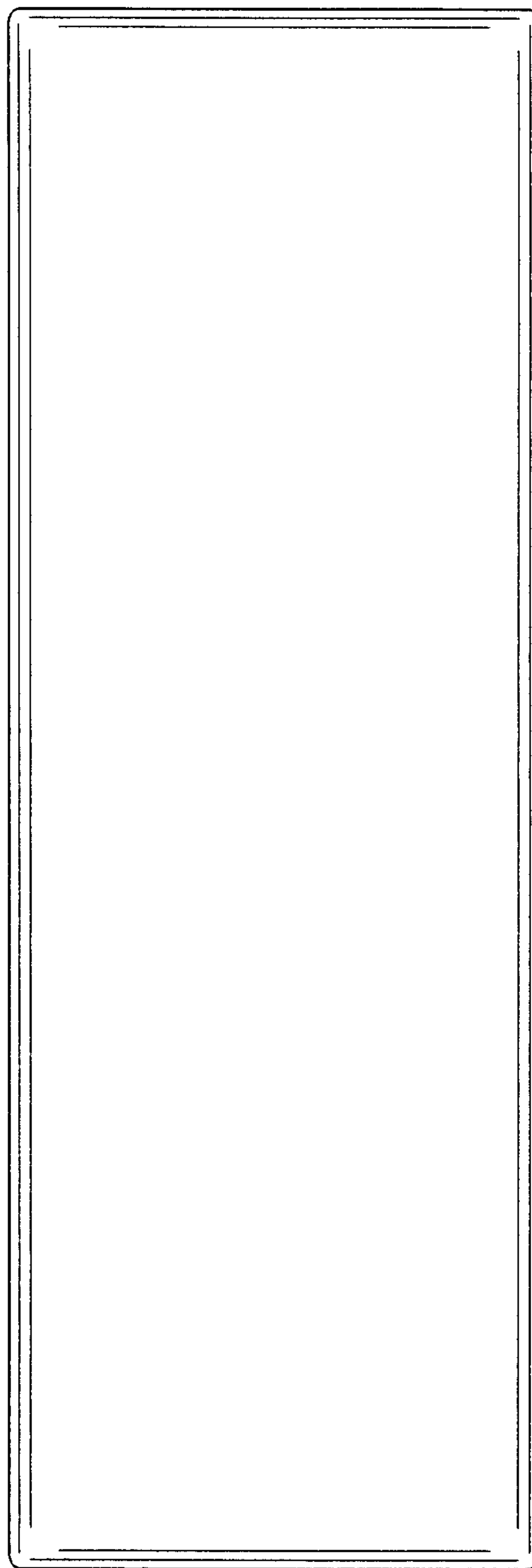


FIG. 5

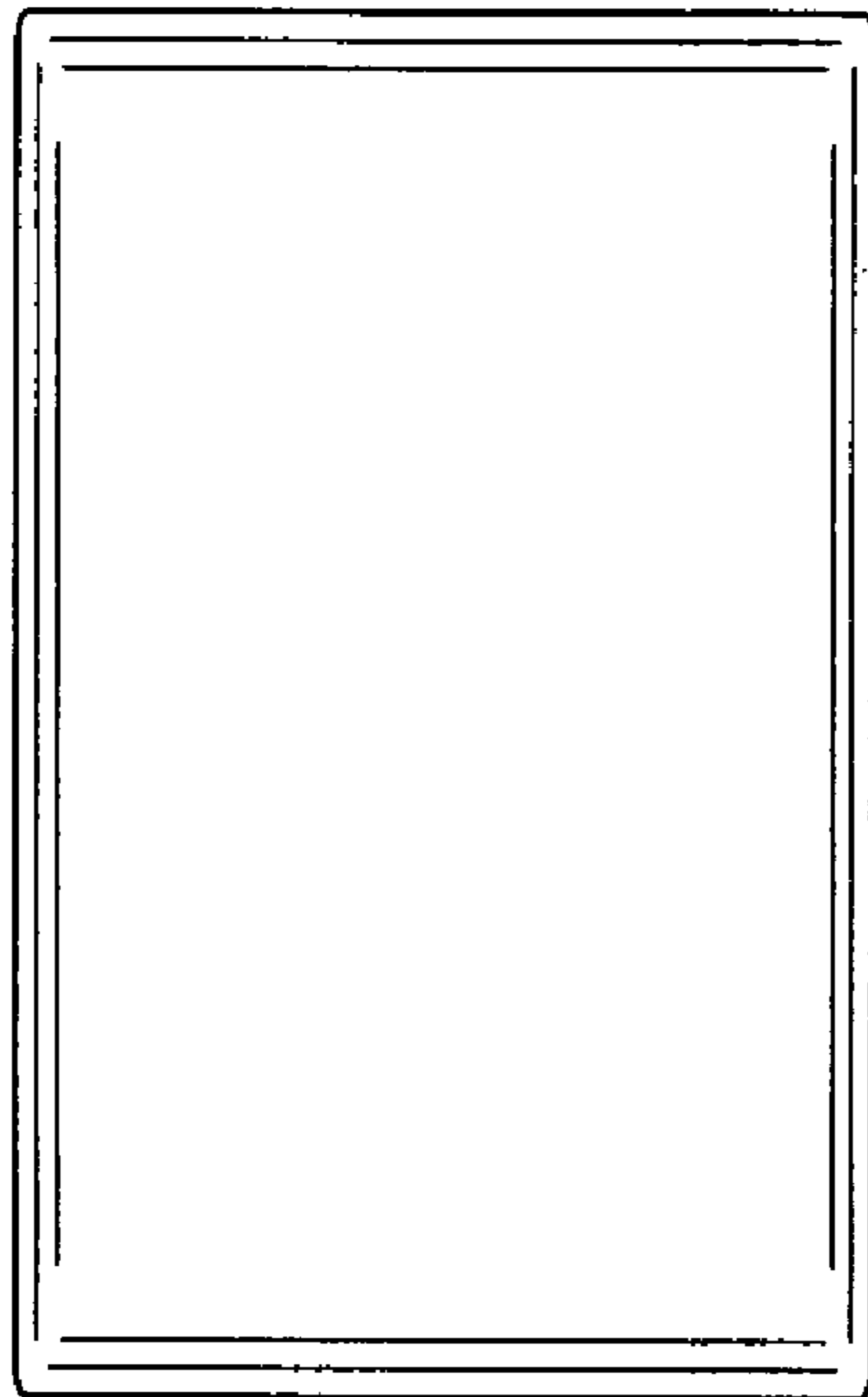


FIG. 7

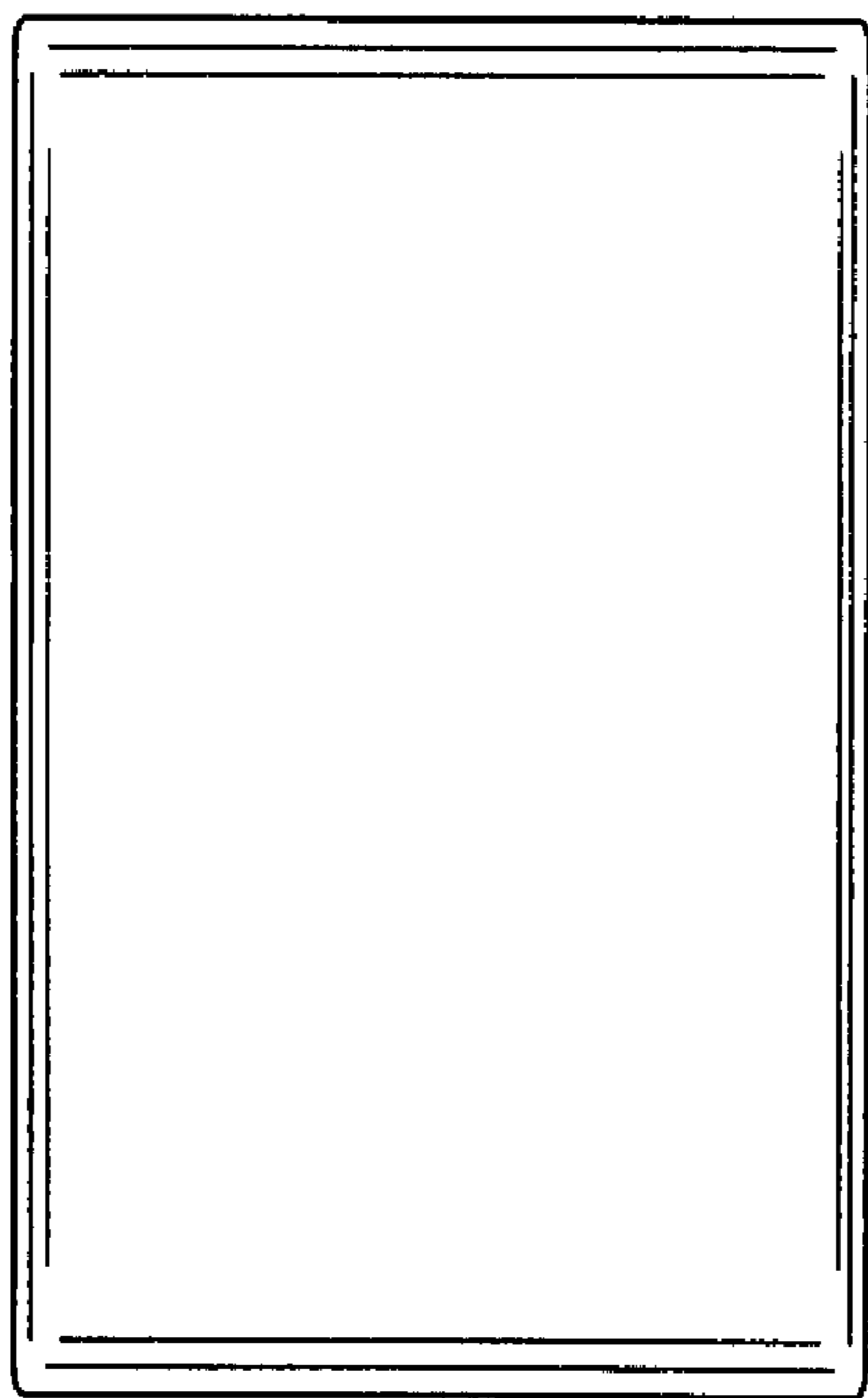


FIG. 6