

US00D575630S

(12) **United States Design Patent**  
**Deuer**

(10) **Patent No.:** **US D575,630 S**

(45) **Date of Patent:** **\*\* Aug. 26, 2008**

(54) **T-POST ADAPTER BRACKET**

(76) Inventor: **Joseph F. Deuer**, 560 W. David Rd.,  
Kettering, OH (US) 45429

(\*\*) Term: **14 Years**

(21) Appl. No.: **29/284,858**

(22) Filed: **Sep. 17, 2007**

(51) **LOC (8) Cl.** ..... **08-05**

(52) **U.S. Cl.** ..... **D8/354**

(58) **Field of Classification Search** ..... D8/354,  
D8/349; 248/200, 300; 256/65.04, 65.06,  
256/65.08, 65.16

See application file for complete search history.

(56) **References Cited**

**U.S. PATENT DOCUMENTS**

4,714,233	A	*	12/1987	Oates	.....	251/14
D534,905	S	*	1/2007	Sergi	.....	D14/238
D535,985	S	*	1/2007	Sergi	.....	D14/238
D538,630	S	*	3/2007	Sergi	.....	D8/354

\* cited by examiner

*Primary Examiner*—Holly H Baynham  
(74) *Attorney, Agent, or Firm*—Stevens & Showalter LLP

(57) **CLAIM**

The ornamental design for a T-post adapter bracket, as shown and described.

**DESCRIPTION**

FIG. 1 is a top perspective view of a T-post adapter bracket showing my new design;

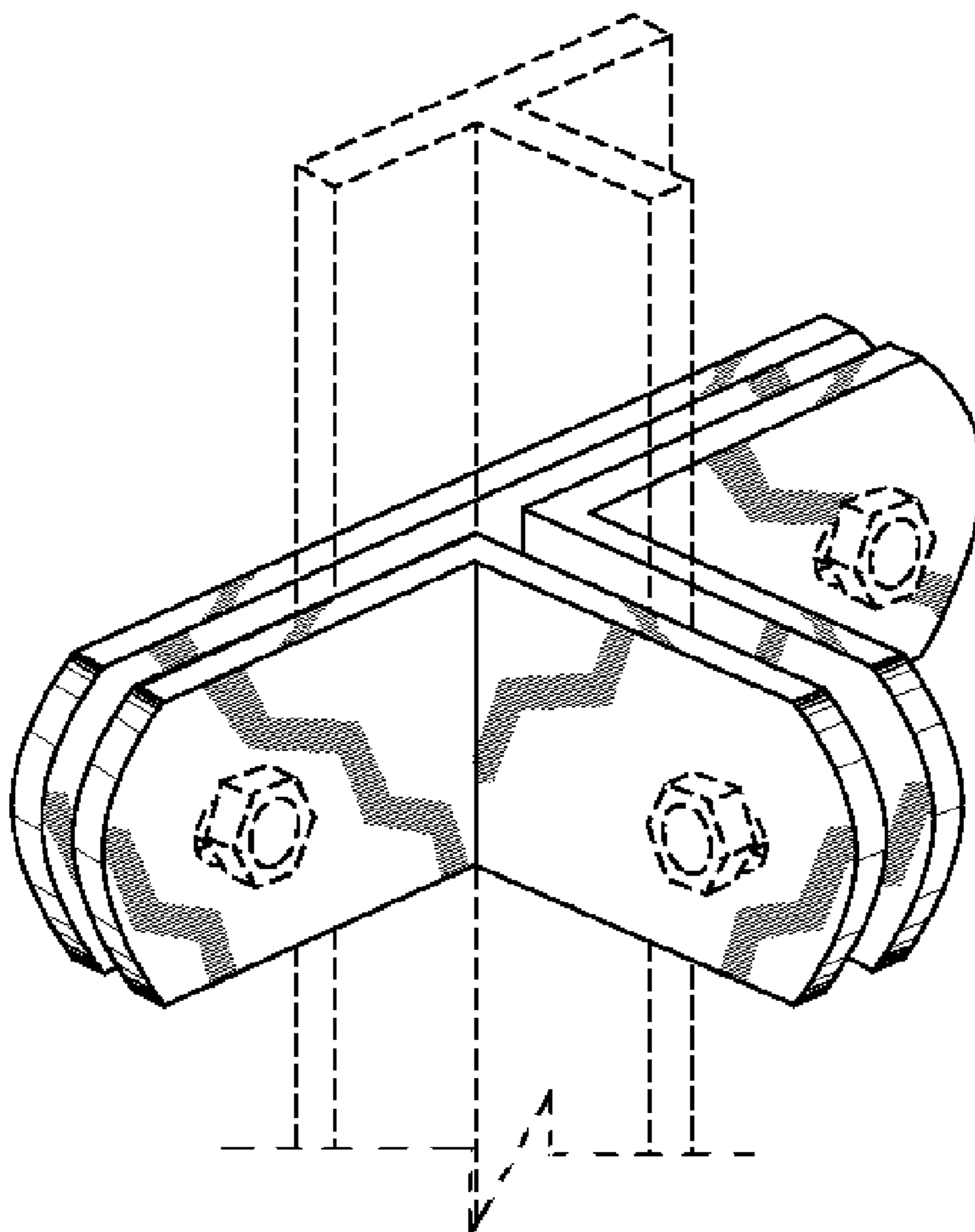
FIG. 2 is a top plan view of the T-post adapter bracket, it being understood that the bottom plan view is a mirror image thereof;

FIG. 3 is a front elevation view of the T-post adapter bracket; FIG. 4 is a rear elevation view of the T-post adapter bracket; and,

FIG. 5 is a side elevation view of the T-post adapter bracket, it being understood that the opposite side elevation view is a mirror image thereof.

The elements shown in broken lines are for illustrative purposes only and form no part of the claimed design.

**1 Claim, 1 Drawing Sheet**



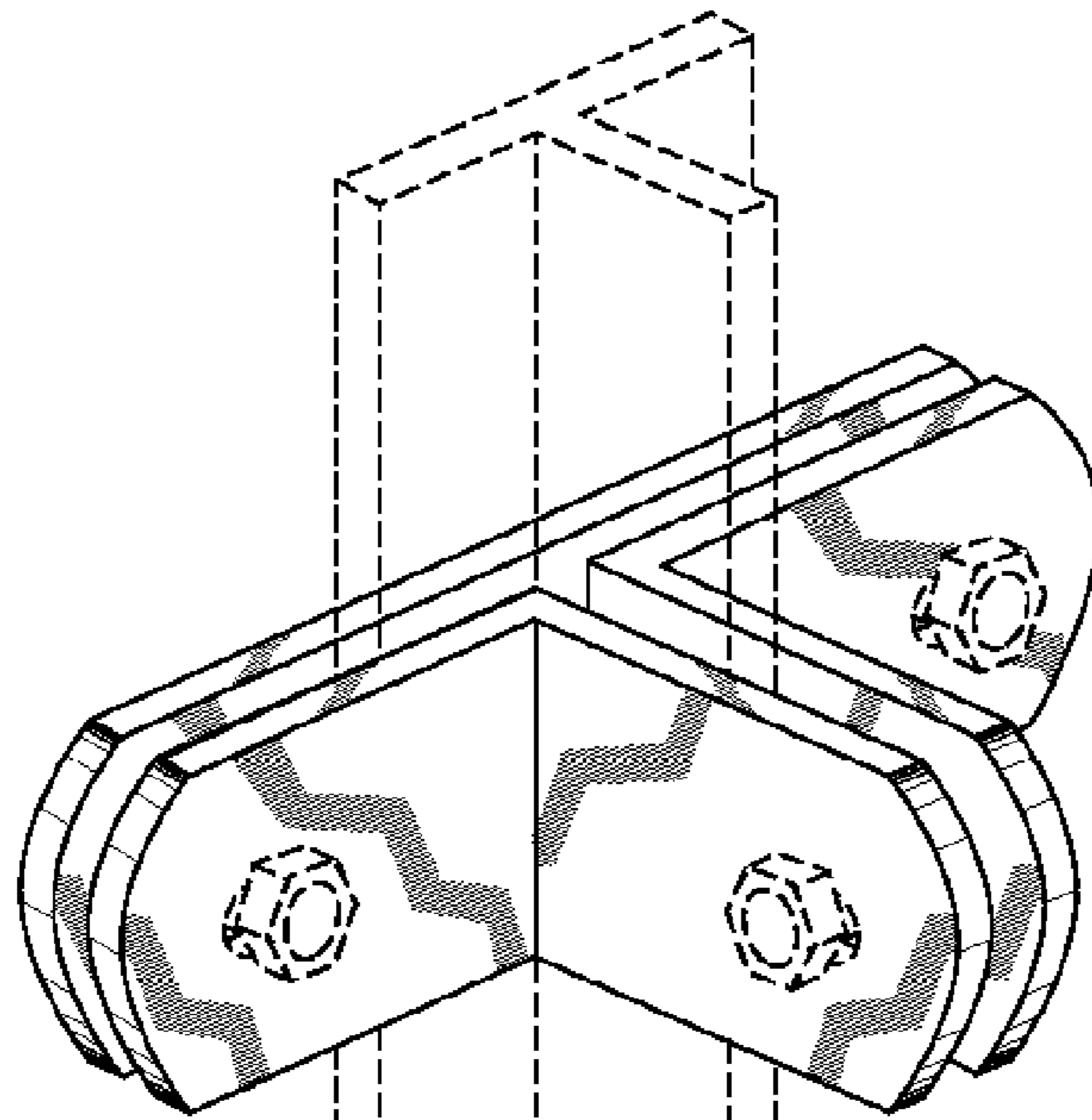


FIG. 1

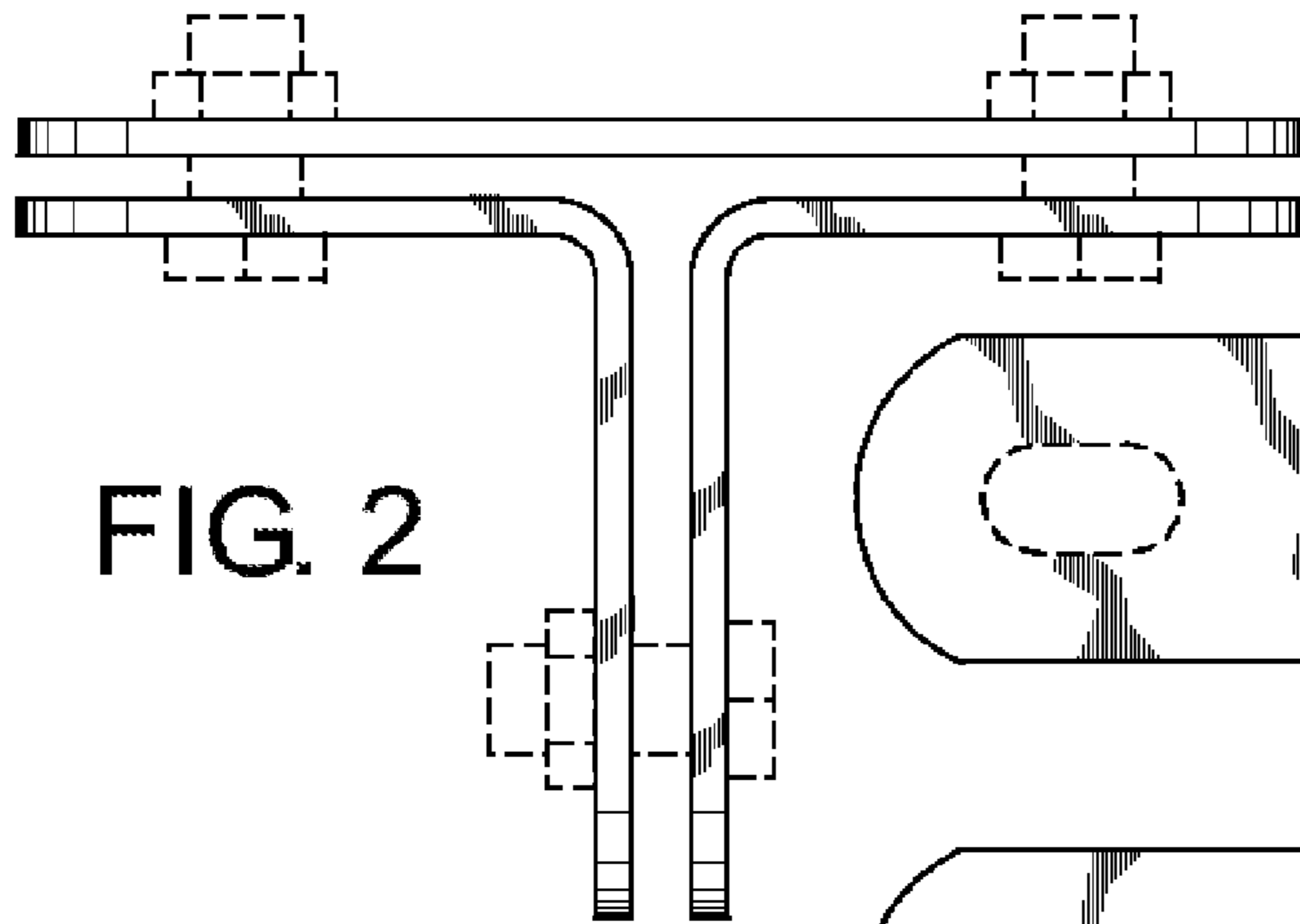


FIG. 2

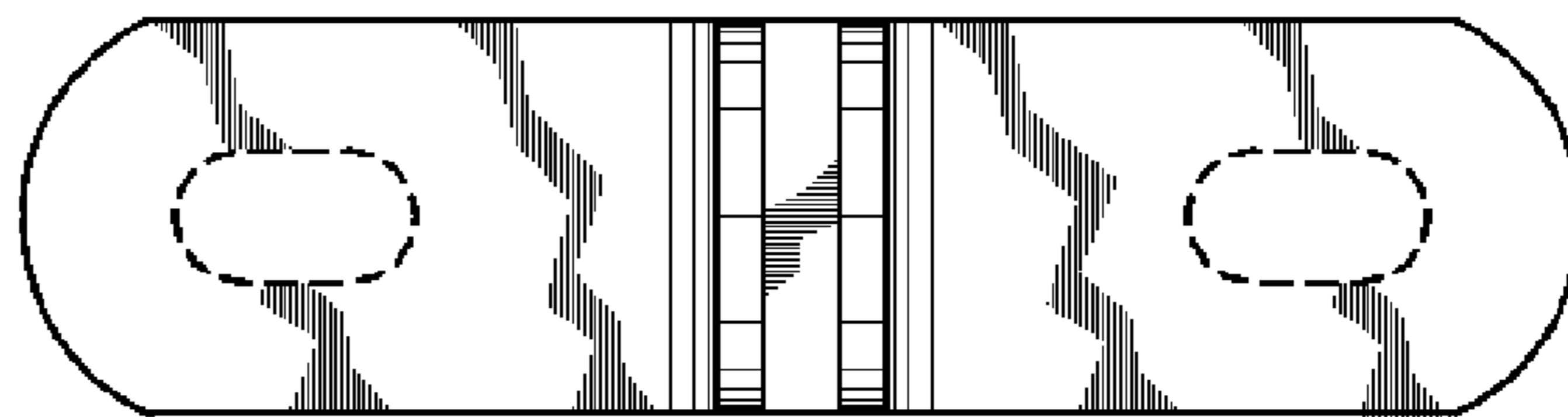


FIG. 3

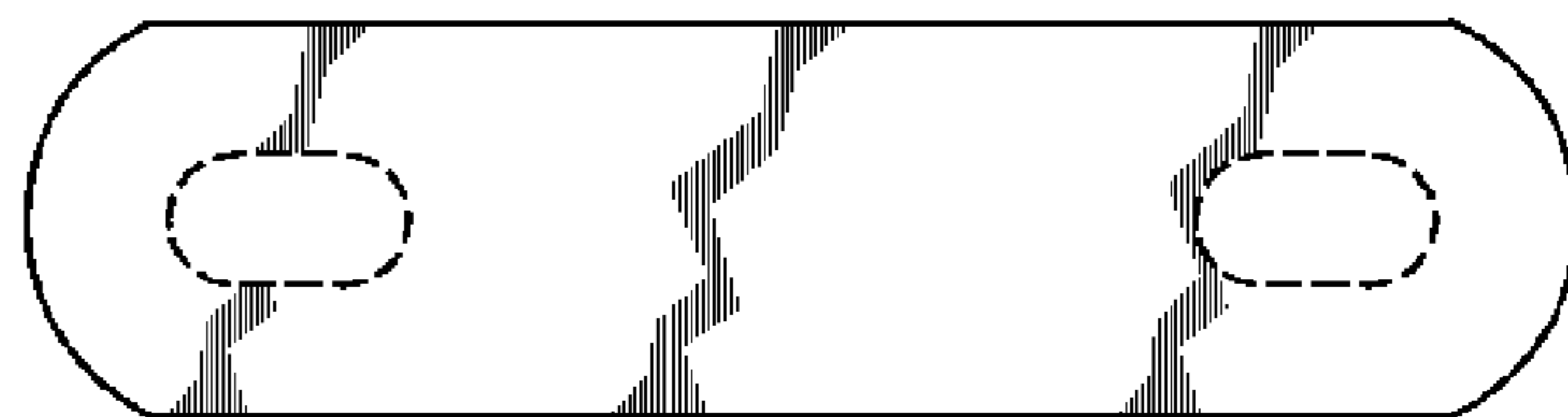


FIG. 4

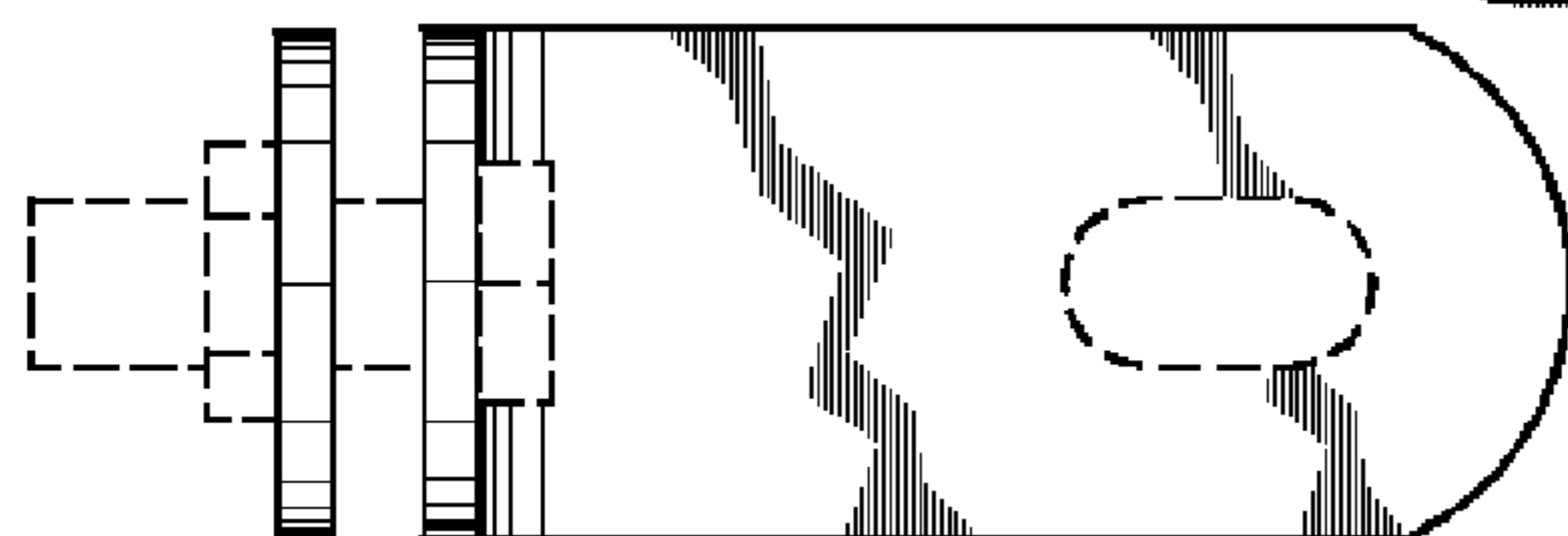


FIG. 5