



US00D575625S

(12) **United States Design Patent**
Basche et al.

(10) **Patent No.:** **US D575,625 S**

(45) **Date of Patent:** **** Aug. 26, 2008**

(54) **COMBINATION LOCK**

(75) Inventors: **Rahn Basche**, Los Altos, CA (US);
Peter Schmidt, Los Gatos, CA (US);
Todd Basche, Los Altos, CA (US)

(73) Assignee: **Wordlock, Inc.**, Los Altos, CA (US)

(**) Term: **14 Years**

(21) Appl. No.: **29/298,386**

(22) Filed: **Dec. 4, 2007**

(51) **LOC (8) Cl.** **08-07**

(52) **U.S. Cl.** **D8/331**

(58) **Field of Classification Search** D8/330,
D8/331, 334, 343; 70/14, 20, 22, 24, 53,
70/58, 253, DIG. 72, 25-30

See application file for complete search history.

(56) **References Cited**

U.S. PATENT DOCUMENTS

4,445,348	A	5/1984	Saitoh et al.	
4,610,152	A *	9/1986	Duringer	70/30
5,119,650	A	6/1992	Lo et al.	
5,540,065	A	7/1996	Wyers	
D404,635	S *	1/1999	Yang	D8/331
5,924,313	A *	7/1999	Kuo	70/26
5,934,120	A	8/1999	Kuo et al.	
6,058,744	A *	5/2000	Ling	70/28
D427,883	S *	7/2000	Ling	D8/331
6,209,368	B1 *	4/2001	Lee	70/312
6,386,005	B1 *	5/2002	Kuo	70/28

D471,785	S *	3/2003	Yu	D8/331
D472,789	S *	4/2003	Ling	D8/331
D477,525	S *	7/2003	Ling	D8/330
D495,580	S *	9/2004	Ho	D8/334
6,799,446	B1	10/2004	Tsai et al.	
6,880,371	B2	4/2005	Huang et al.	
7,254,971	B2	8/2007	Ruan et al.	
2004/0079122	A1 *	4/2004	Tsai	70/30
2004/0103700	A1 *	6/2004	Ling	70/25

* cited by examiner

Primary Examiner—Prabhakar Deshmukh

(74) *Attorney, Agent, or Firm*—Perkins Coie LLP

(57) **CLAIM**

The ornamental design for a combination lock, as shown and described.

DESCRIPTION

FIG. 1 is a perspective view of a combination lock showing our new design;

FIG. 2 is a front elevational view thereof;

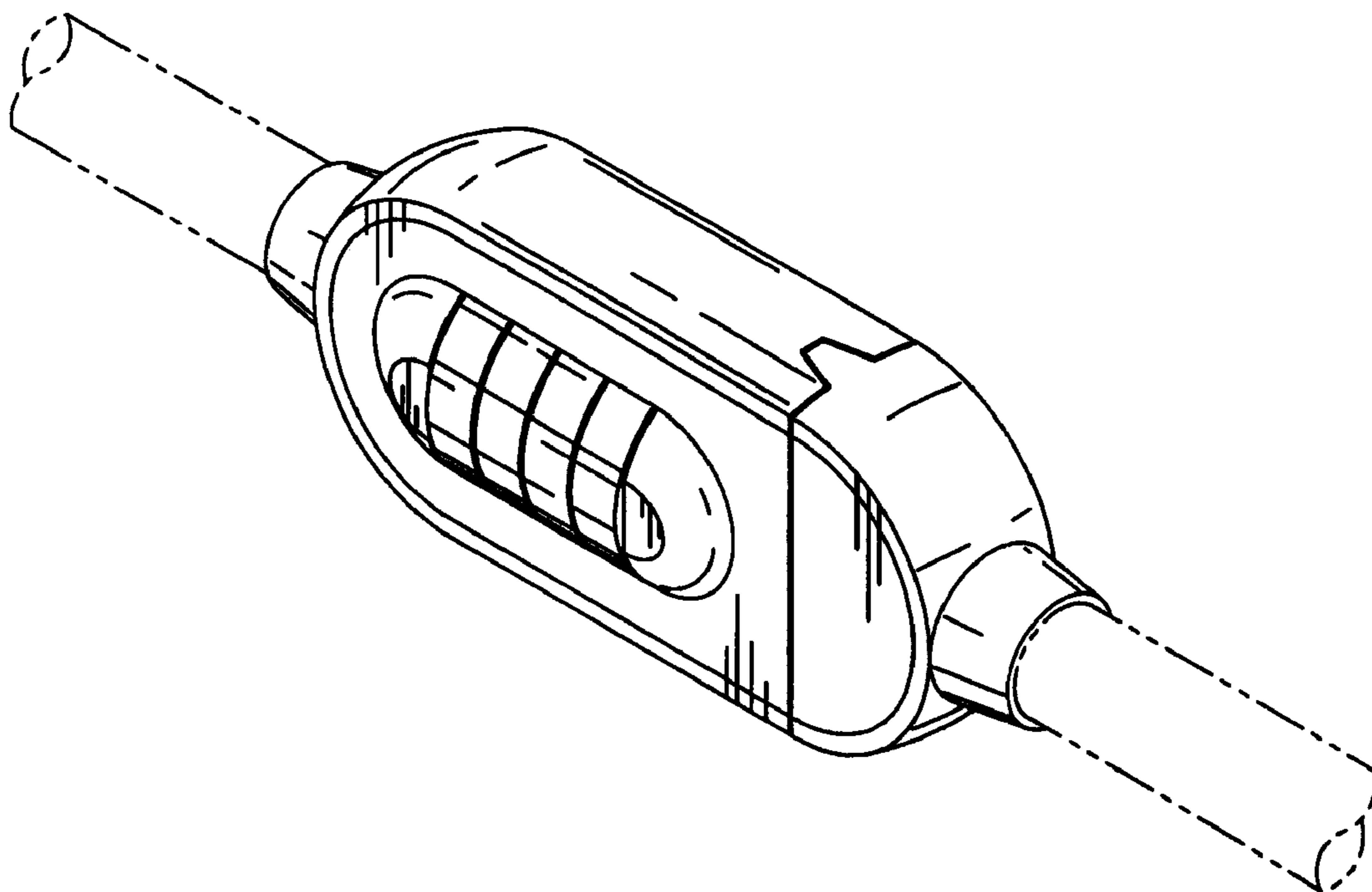
FIG. 3 is a rear elevational view thereof;

FIG. 4 is a left side elevational view thereof, the right side elevational view being a mirror image thereof; and,

FIG. 5 is a top plan view thereof, the bottom plan view being a mirror image thereof.

The broken lines are for illustrative purpose only and no part of the claimed design.

1 Claim, 2 Drawing Sheets



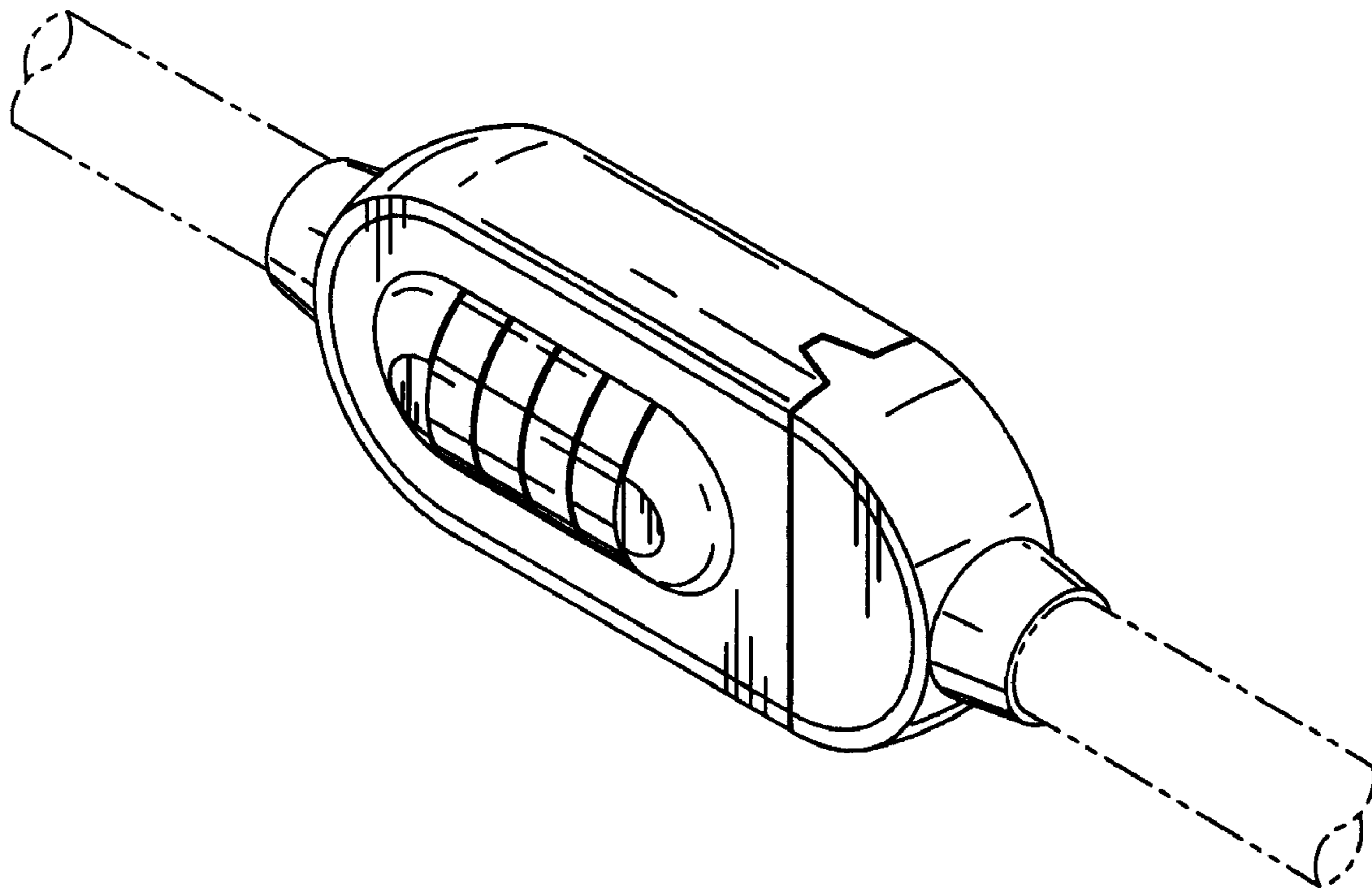


Fig. 1

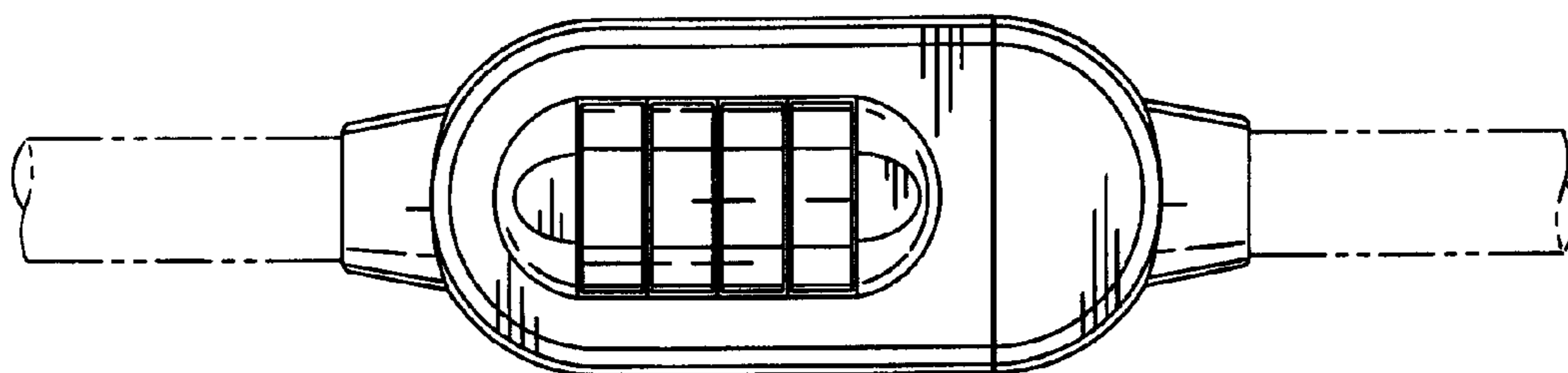


Fig. 2

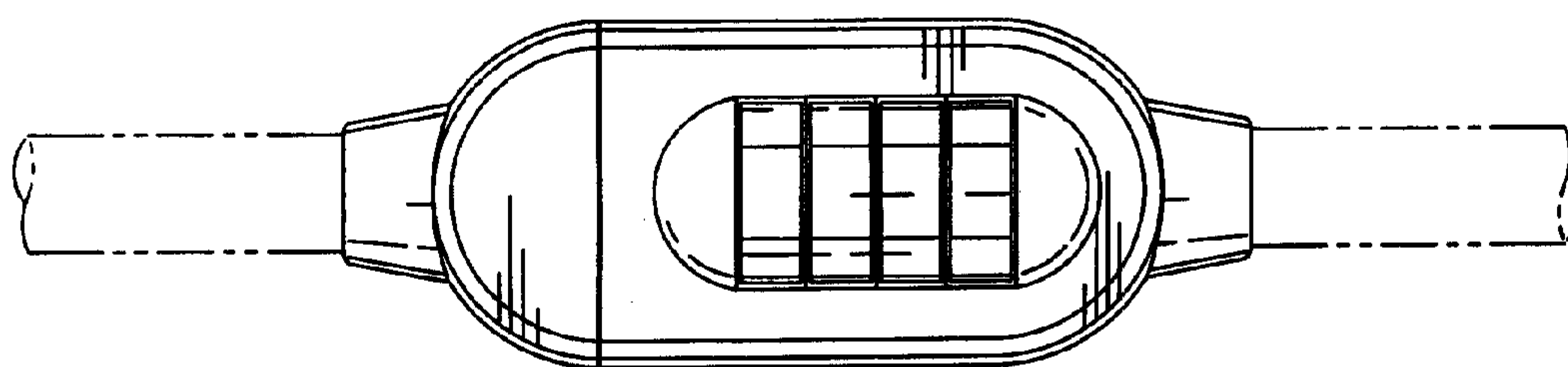


Fig. 3

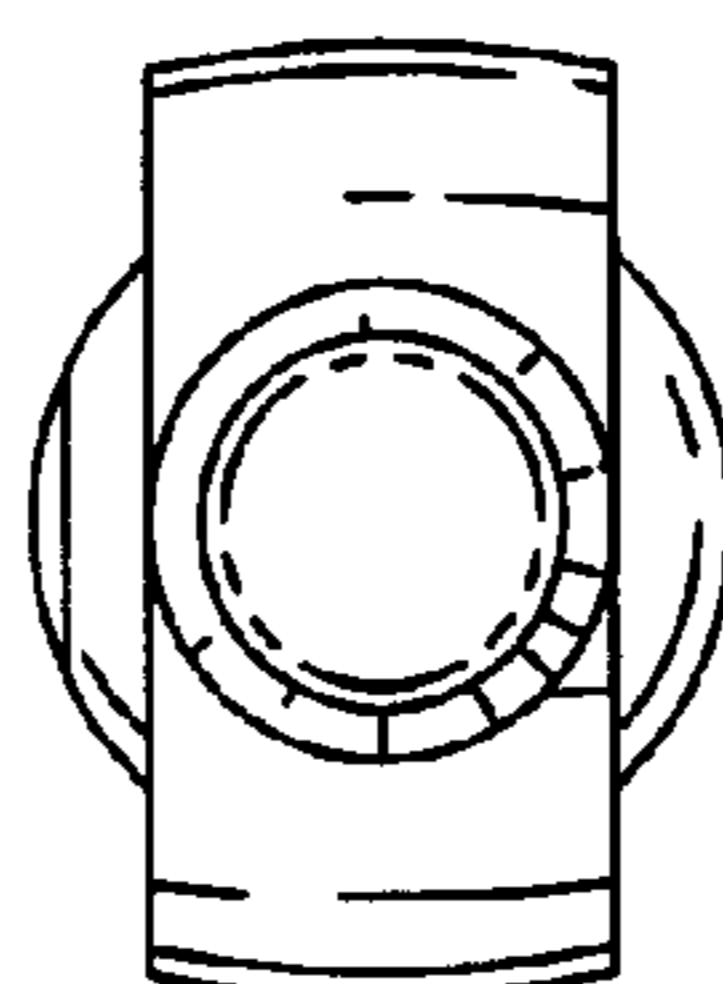


Fig. 4

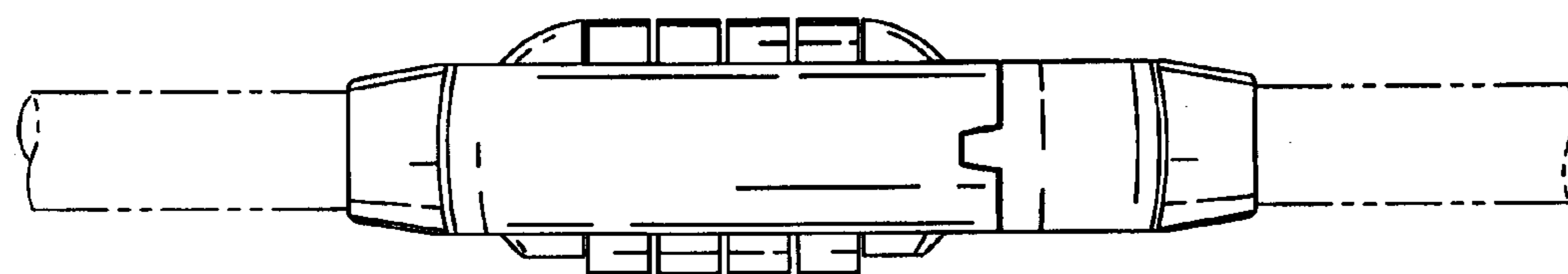


Fig. 5

UNITED STATES PATENT AND TRADEMARK OFFICE
CERTIFICATE OF CORRECTION

PATENT NO. : Des. 575,625 S
APPLICATION NO. : 29/298386
DATED : August 26, 2008
INVENTOR(S) : Basche et al.

Page 1 of 1

It is certified that error appears in the above-identified patent and that said Letters Patent is hereby corrected as shown below:

On the Title page, in field (56), under "Description", in column 2, line 5, delete "let" and insert -- left --, therefor.

Signed and Sealed this

Twenty-sixth Day of May, 2009



JOHN DOLL
Acting Director of the United States Patent and Trademark Office