



US00D575619S

(12) **United States Design Patent**  
**Bertani**

(10) **Patent No.:** **US D575,619 S**

(45) **Date of Patent:** **\*\* Aug. 26, 2008**

(54) **HANDWHEEL**

(75) Inventor: **Alberto Bertani**, Milan (IT)

(73) Assignee: **Elesa S.p.A.**, Milan (IT)

(\*\*) Term: **14 Years**

(21) Appl. No.: **29/276,287**

(22) Filed: **Jan. 22, 2007**

(30) **Foreign Application Priority Data**

Jul. 26, 2006 (EM) ..... 000566997

(51) **LOC (8) Cl.** ..... **08-06**

(52) **U.S. Cl.** ..... **D8/309**

(58) **Field of Classification Search** ..... D8/300,  
D8/306, 307, 309, 353, 310; 74/522, 523,  
74/545, 557; D15/142; 16/110.1, 429, 432;  
D12/174-178

See application file for complete search history.

(56) **References Cited**

**U.S. PATENT DOCUMENTS**

D289,370 S \* 4/1987 Bertani ..... D8/309  
D369,965 S \* 5/1996 Decursu et al. .... D8/308  
D369,966 S \* 5/1996 Decursu et al. .... D8/309  
D369,967 S \* 5/1996 Decursu et al. .... D8/309  
D373,064 S \* 8/1996 Decursu et al. .... D8/309

D379,580 S \* 6/1997 Amundsen ..... D8/300  
D463,967 S \* 10/2002 Bertani ..... D8/309  
D493,348 S \* 7/2004 Bertani ..... D8/300  
D495,231 S \* 8/2004 Bertani ..... D8/309  
D566,146 S \* 4/2008 Bertani ..... D15/142

\* cited by examiner

*Primary Examiner*—Paula A Greene

(74) *Attorney, Agent, or Firm*—Pearne & Gordon LLP

(57) **CLAIM**

The ornamental design for a handwheel, as shown and described.

**DESCRIPTION**

FIG. 1 is a perspective view of a three-arm handwheel showing my new design;

FIG. 2 is a bottom view of FIG. 1;

FIG. 3 is a front view of FIG. 1;

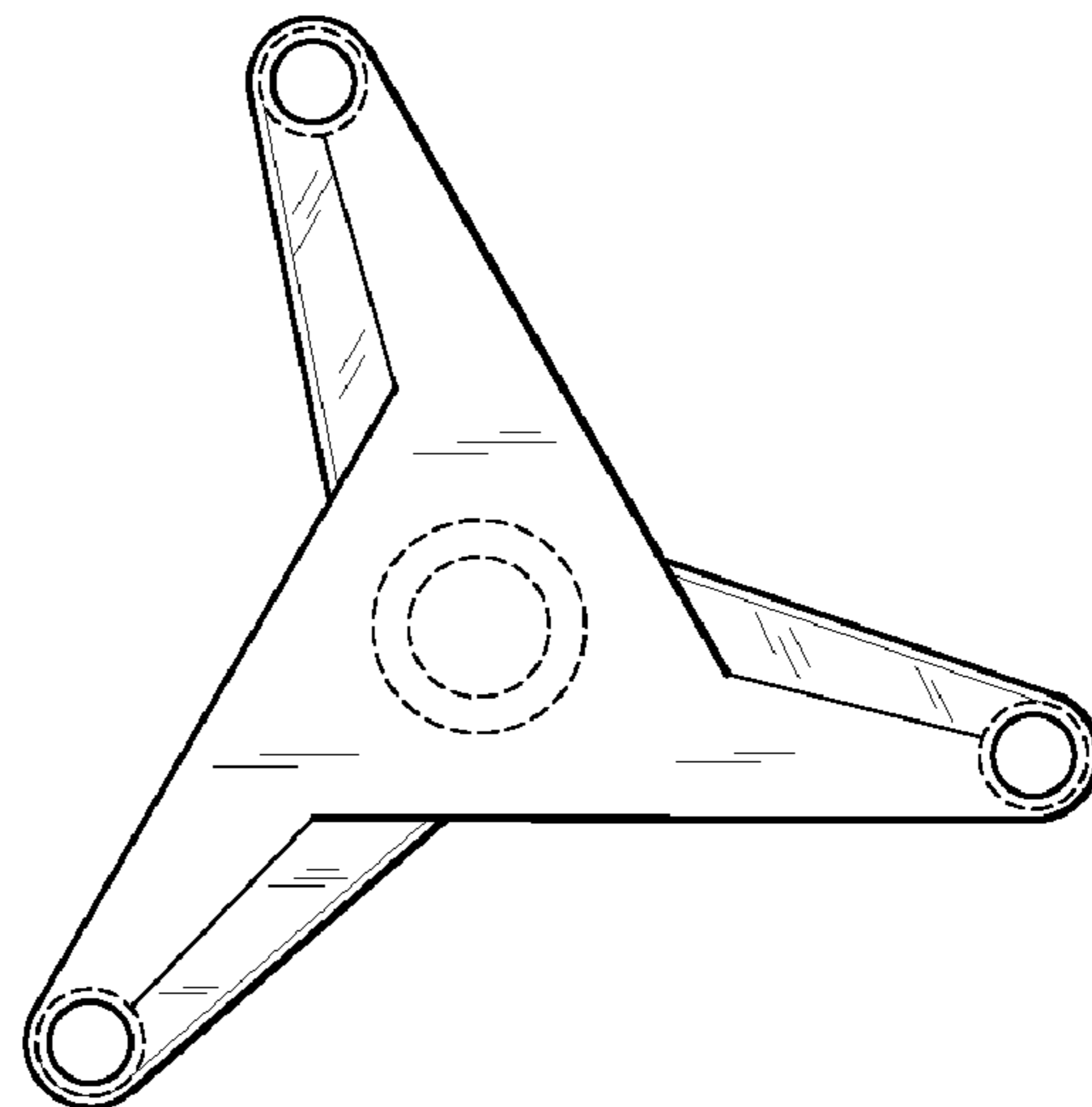
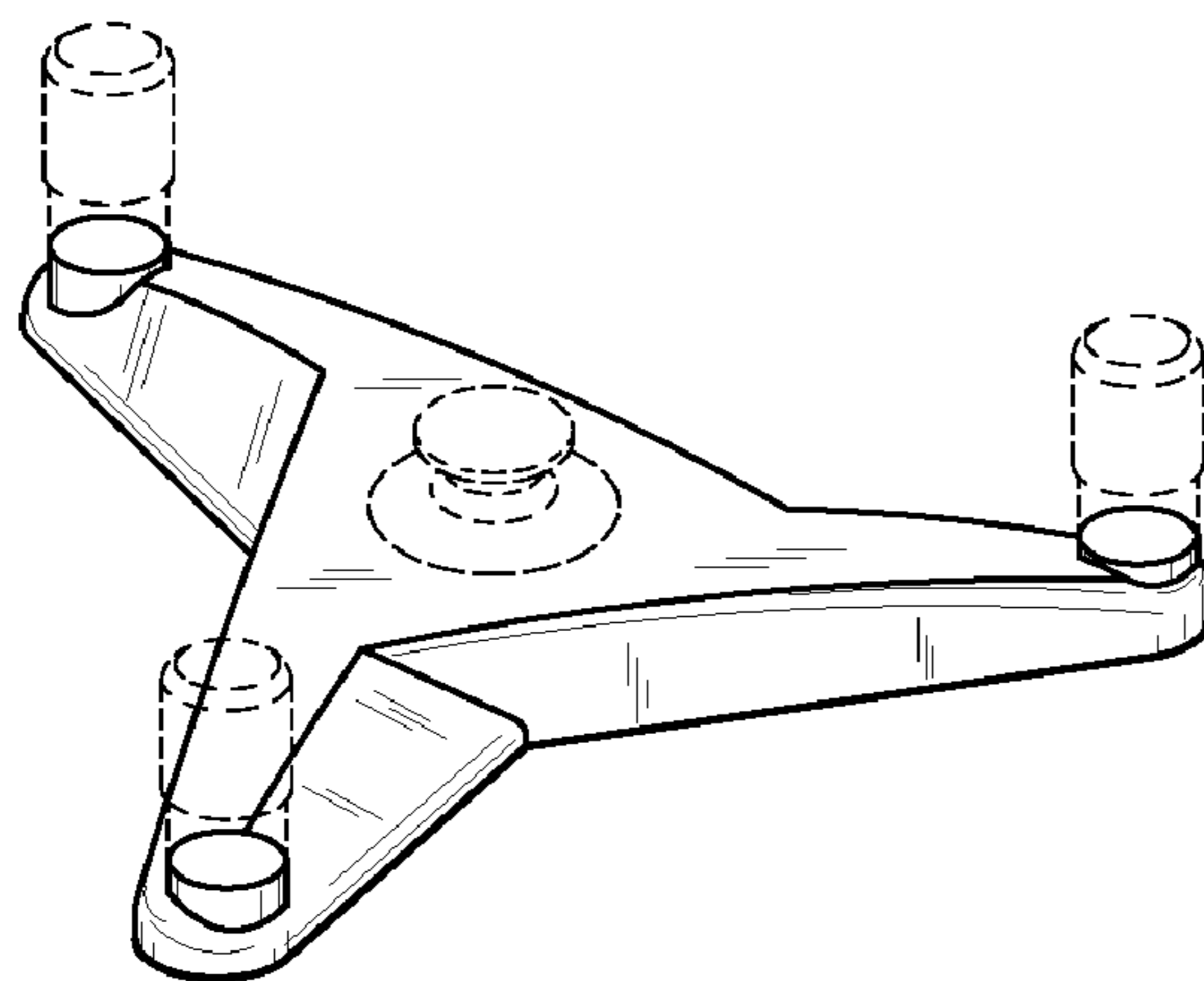
FIG. 4 is a right side view of FIG. 1;

FIG. 5 is a left side view of FIG. 1; and,

FIG. 6 is a top view of FIG. 1.

The knob and hub portions of the handwheel are shown in broken lines for illustrative purposes only and form no part of the claimed design.

**1 Claim, 1 Drawing Sheet**



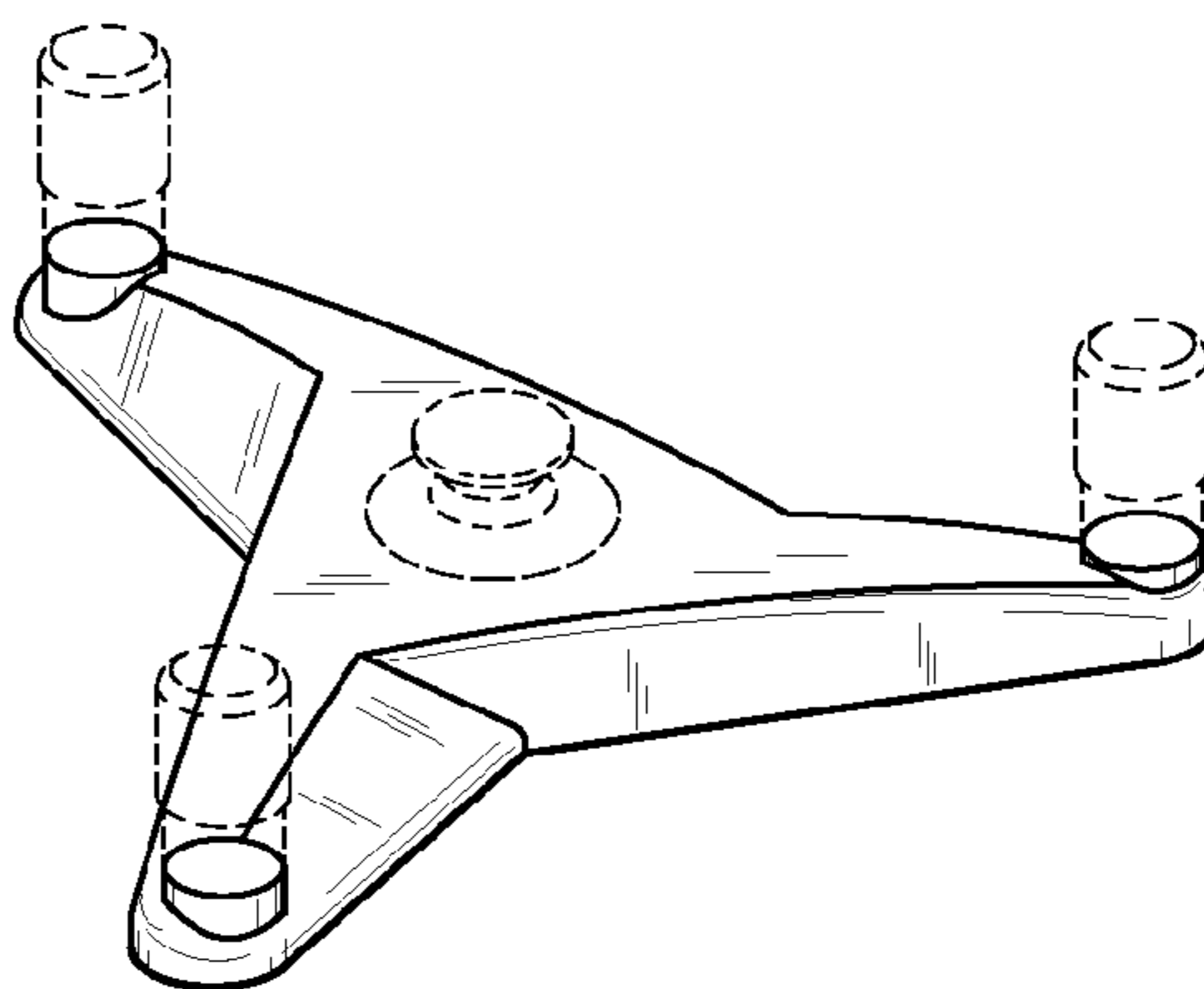


FIG. 1

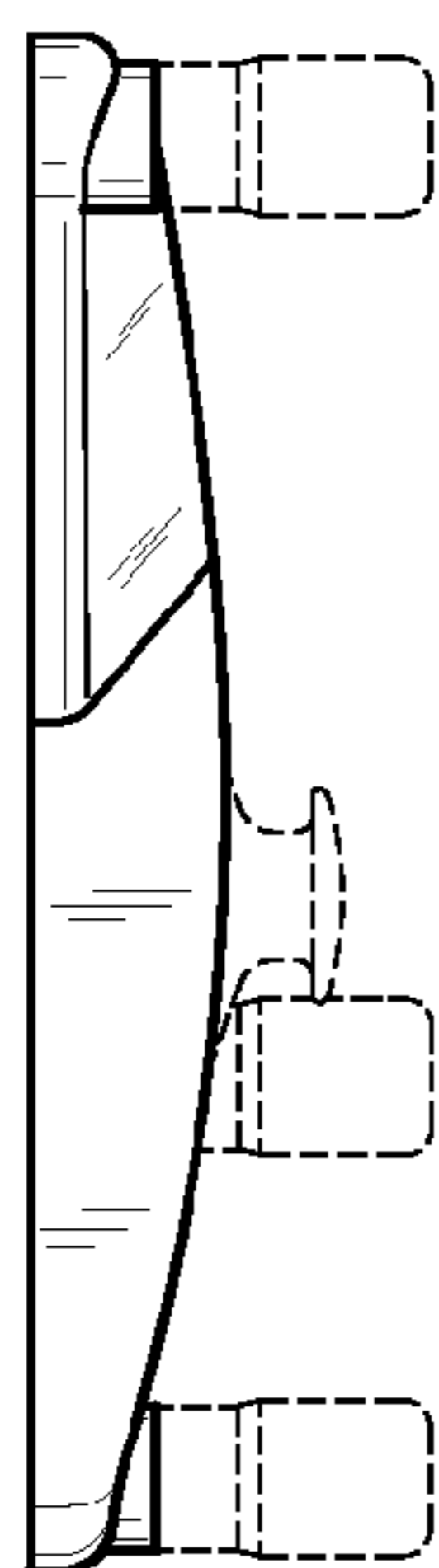


FIG. 5

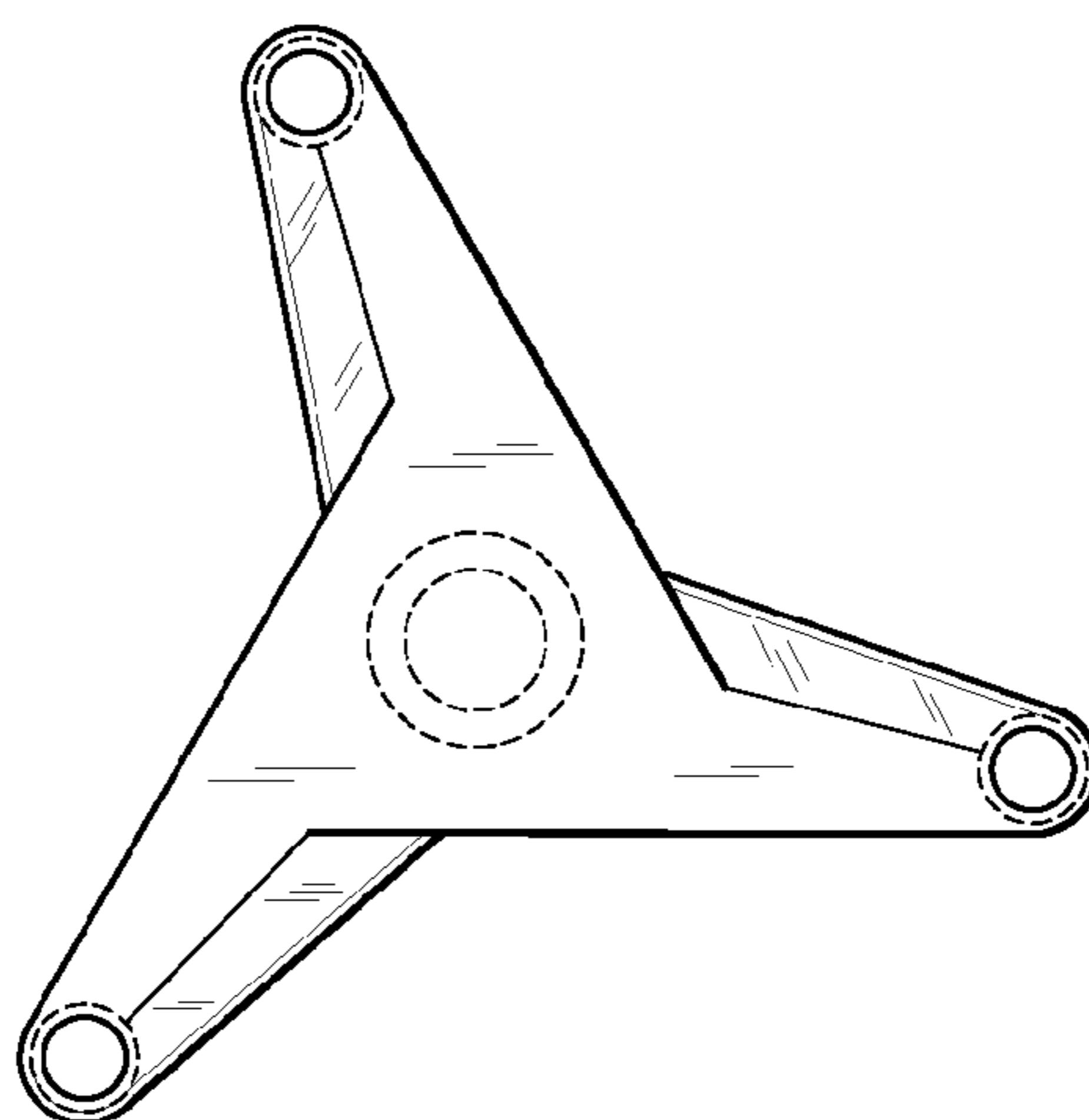


FIG. 3

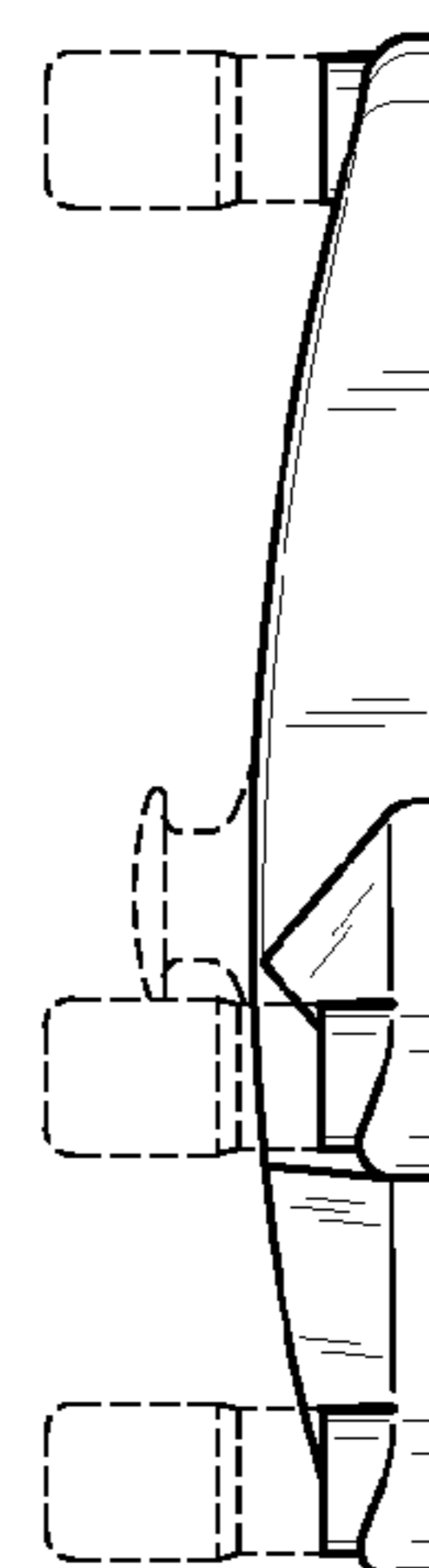


FIG. 4

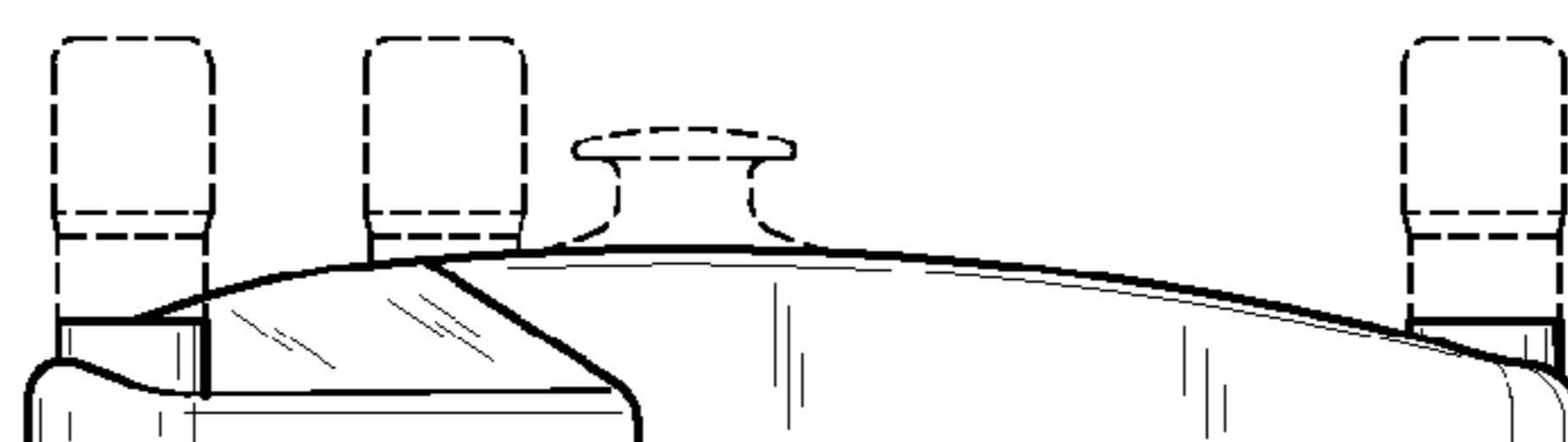


FIG. 2

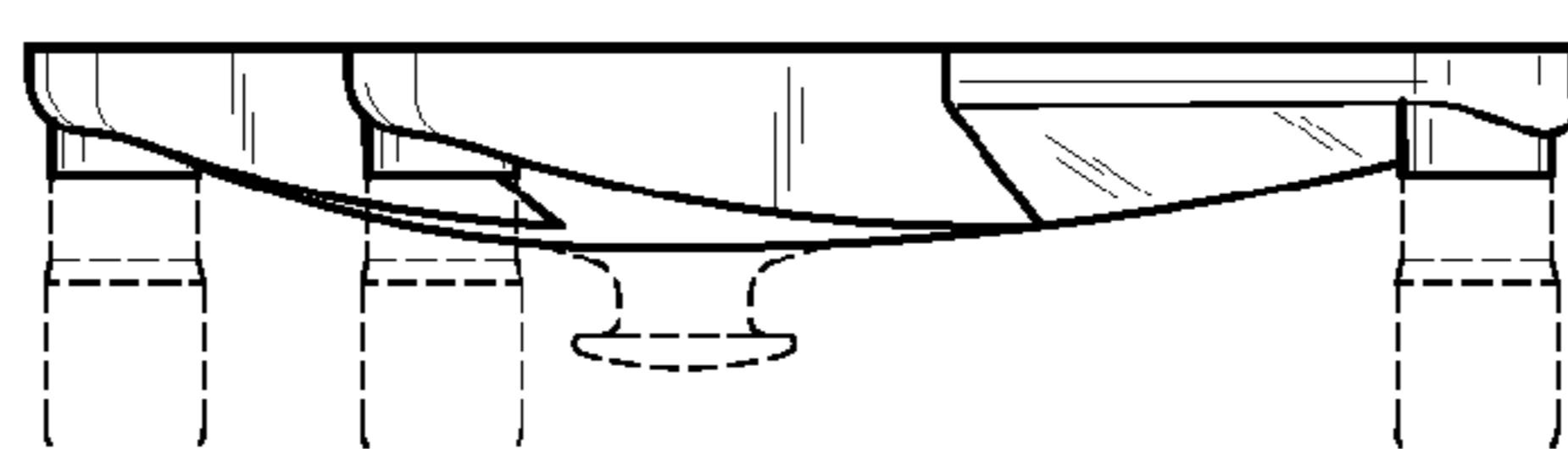


FIG. 6