



US00D575618S

(12) **United States Design Patent**  
**Cuffe**

(10) **Patent No.:** **US D575,618 S**

(45) **Date of Patent:** **\*\* Aug. 26, 2008**

(54) **TOILET SEAT HANDLE**

(76) **Inventor:** **Michael W. Cuffe**, 1843 Fox Springs Cir., Newbury Park, CA (US) 91320-5906

(\*\*) **Term:** **14 Years**

(21) **Appl. No.:** **29/289,406**

(22) **Filed:** **Jul. 19, 2007**

(51) **LOC (8) Cl.** ..... **08-06**

(52) **U.S. Cl.** ..... **D8/307**

(58) **Field of Classification Search** ..... D8/302, D8/305, 307, 378, 83; D23/309, 311; 4/246.1; 16/227; D19/82; D27/148; 473/597; 206/217; 40/721; D16/227; D6/303; D1/106; D7/515, D7/901; D99/34; D21/712; D11/157  
See application file for complete search history.

(56) **References Cited**

**U.S. PATENT DOCUMENTS**

3,624,939	A *	12/1971	Gossard	.....	40/721
3,935,601	A	2/1976	Hermann		
4,164,284	A *	8/1979	Witt et al.	.....	206/217
D259,610	S *	6/1981	Martin	.....	D6/303
4,574,401	A	3/1986	Nakajima		
4,742,582	A	5/1988	Giallourakis		
4,875,251	A	10/1989	Hazard		
4,920,586	A	5/1990	Giallourakis		
5,086,523	A	2/1992	De Mott et al.		
D340,078	S *	10/1993	Turner	.....	D19/82
5,577,724	A *	11/1996	Gandolfo	.....	473/597
D380,143	S *	6/1997	Bried et al.	.....	D8/378
D388,680	S *	1/1998	Lin	.....	D8/83
D421,034	S *	2/2000	Shirley et al.	.....	D16/227

D481,162	S *	10/2003	Lin	.....	D27/148
D498,835	S	11/2004	Bettinger		
6,842,916	B1 *	1/2005	Gunn et al.	.....	4/246.1
D508,392	S	8/2005	Ehle		
D515,907	S	2/2006	Miller		
D527,609	S	9/2006	Tellinghuisen		
D529,784	S	10/2006	Tellinghuisen		

\* cited by examiner

*Primary Examiner*—Paula A Greene  
(74) *Attorney, Agent, or Firm*—Klein, DeNatale, Goldner; Charlette M. Crissman

(57) **CLAIM**

The ornamental design for the toilet seat handle, as shown and described.

**DESCRIPTION**

The claimed toilet seat handle is used to attach to the underneath of a toilet seat.

FIG. 1 is a perspective view of the toilet seat handle showing my new design;

FIG. 2 is a back view thereof;

FIG. 3 is a front view thereof;

FIG. 4 is a left side view thereof;

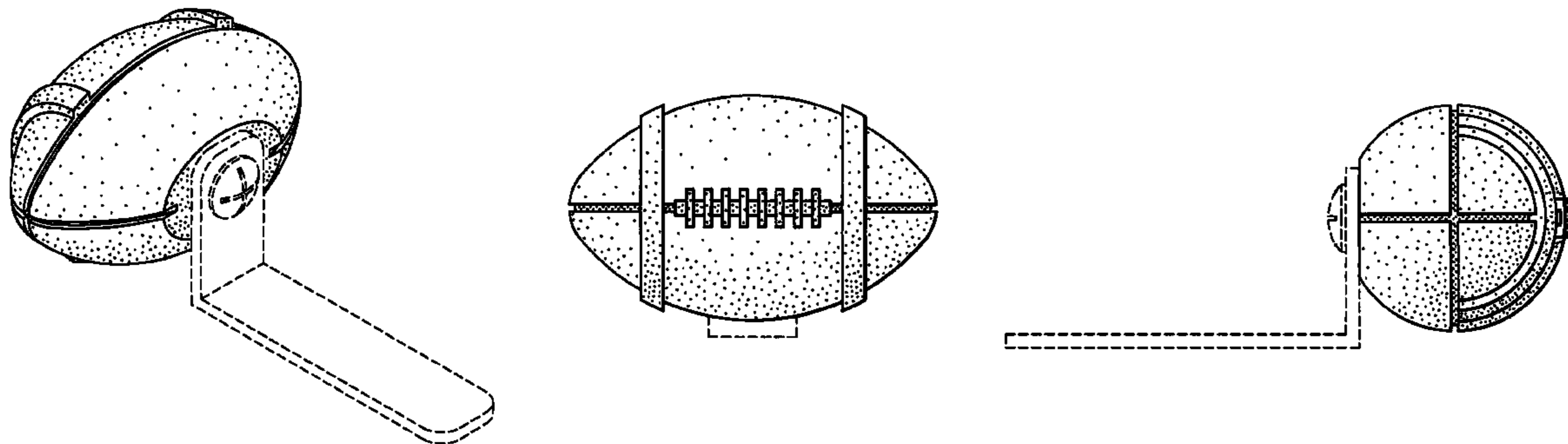
FIG. 5 is a right side view thereof;

FIG. 6 is a top view thereof; and,

FIG. 7 is a bottom view thereof.

The broken lines are included for the purpose of illustration and form no part of the claimed design.

**1 Claim, 4 Drawing Sheets**



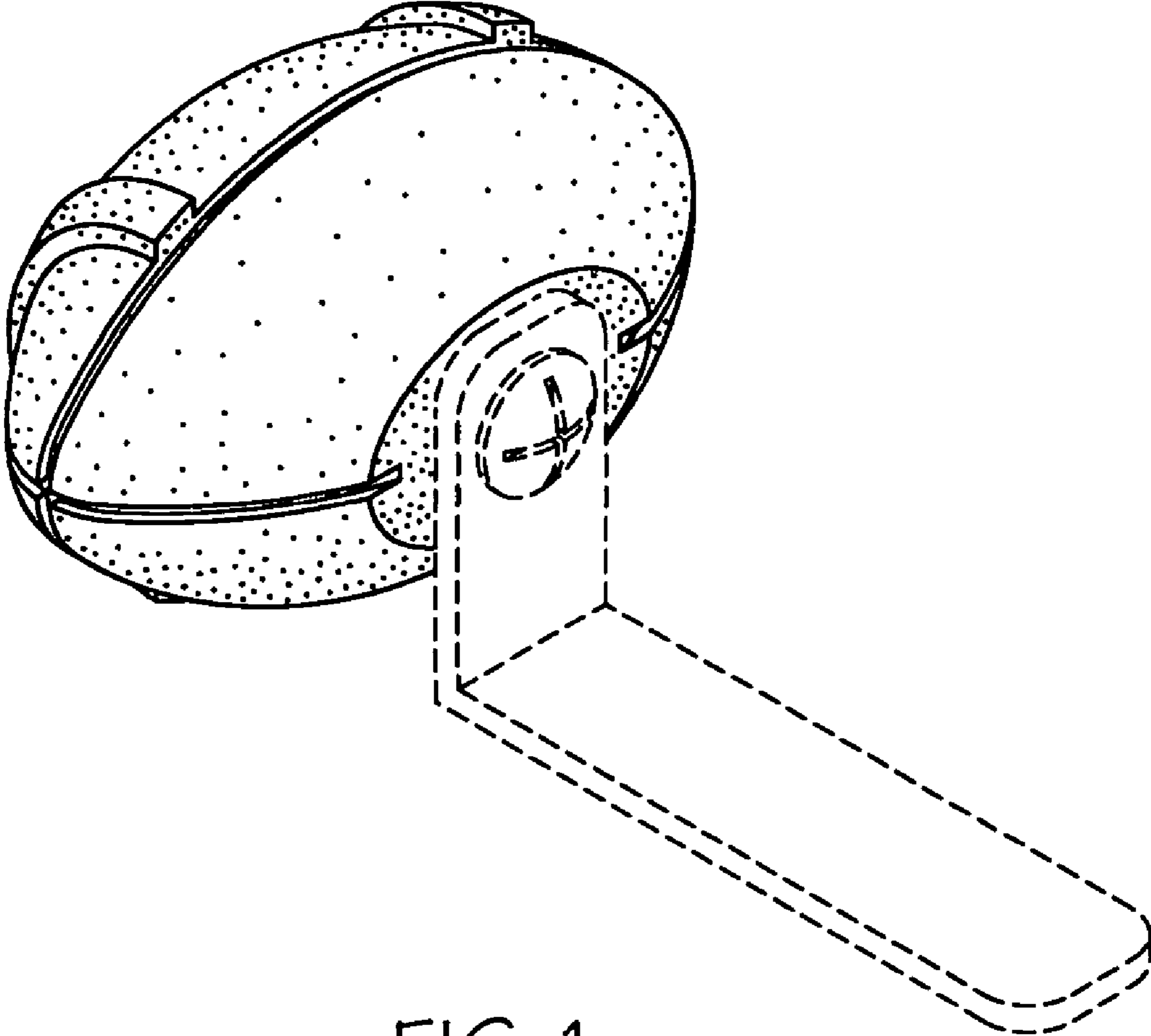


FIG. 1

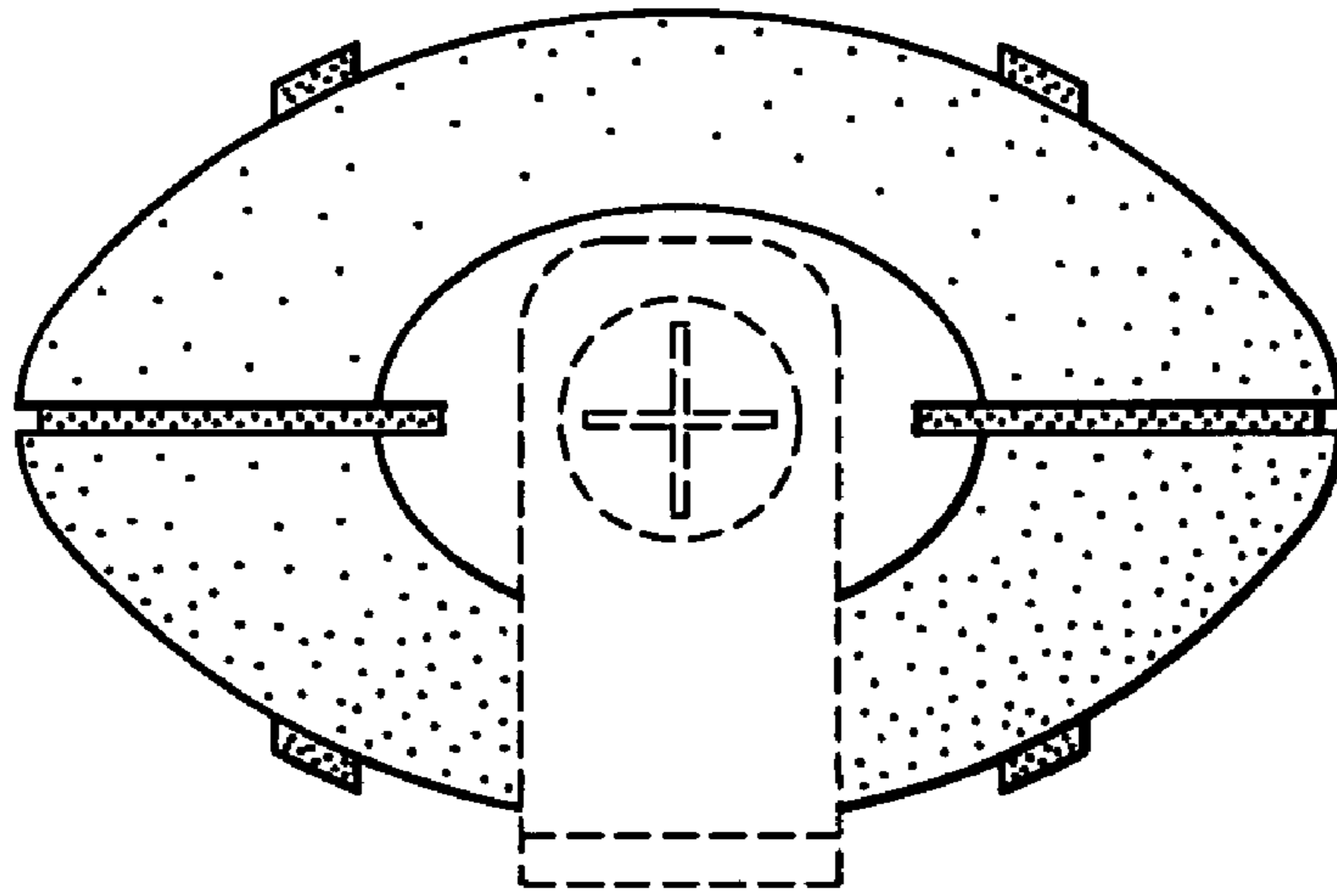


FIG. 2

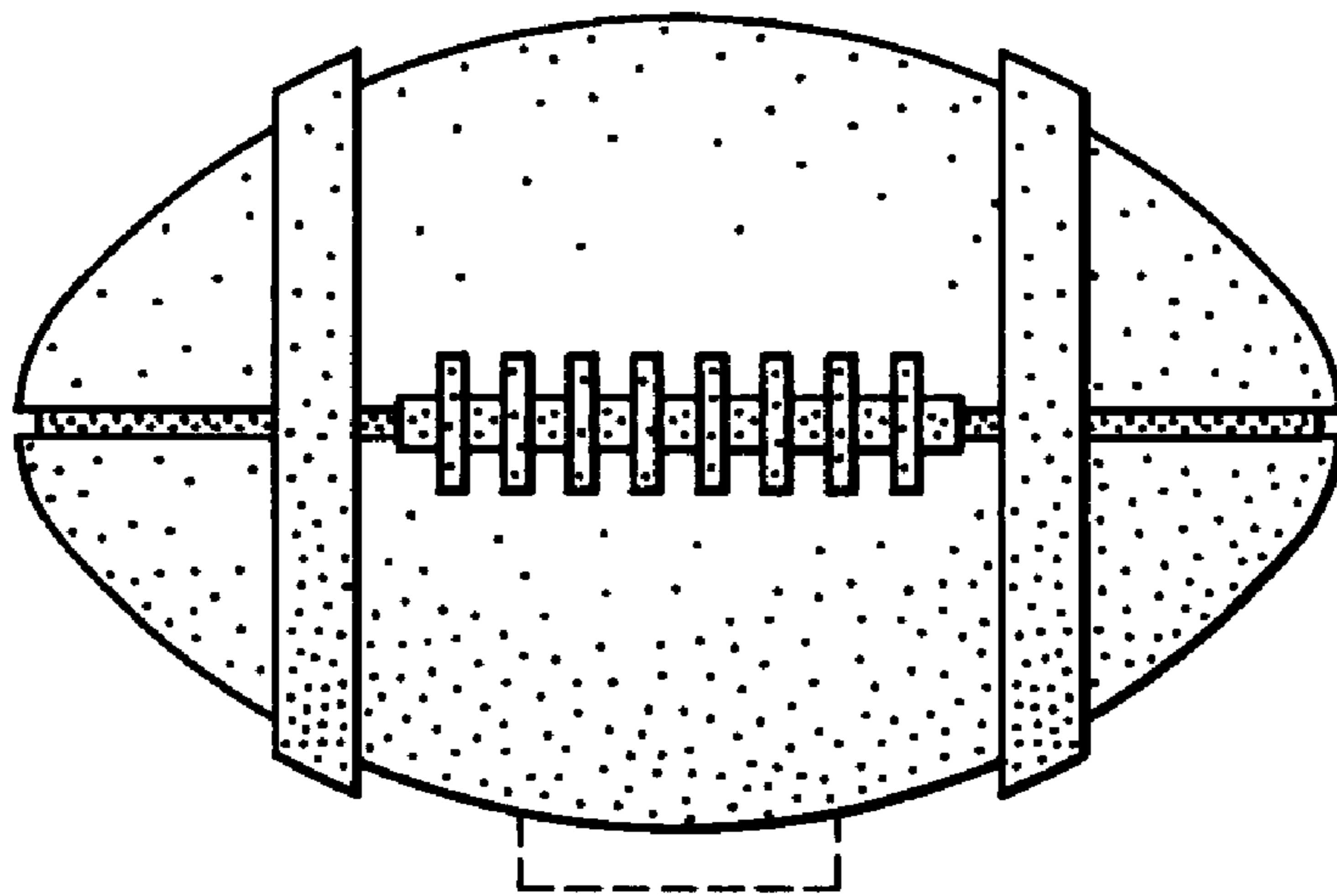


FIG. 3

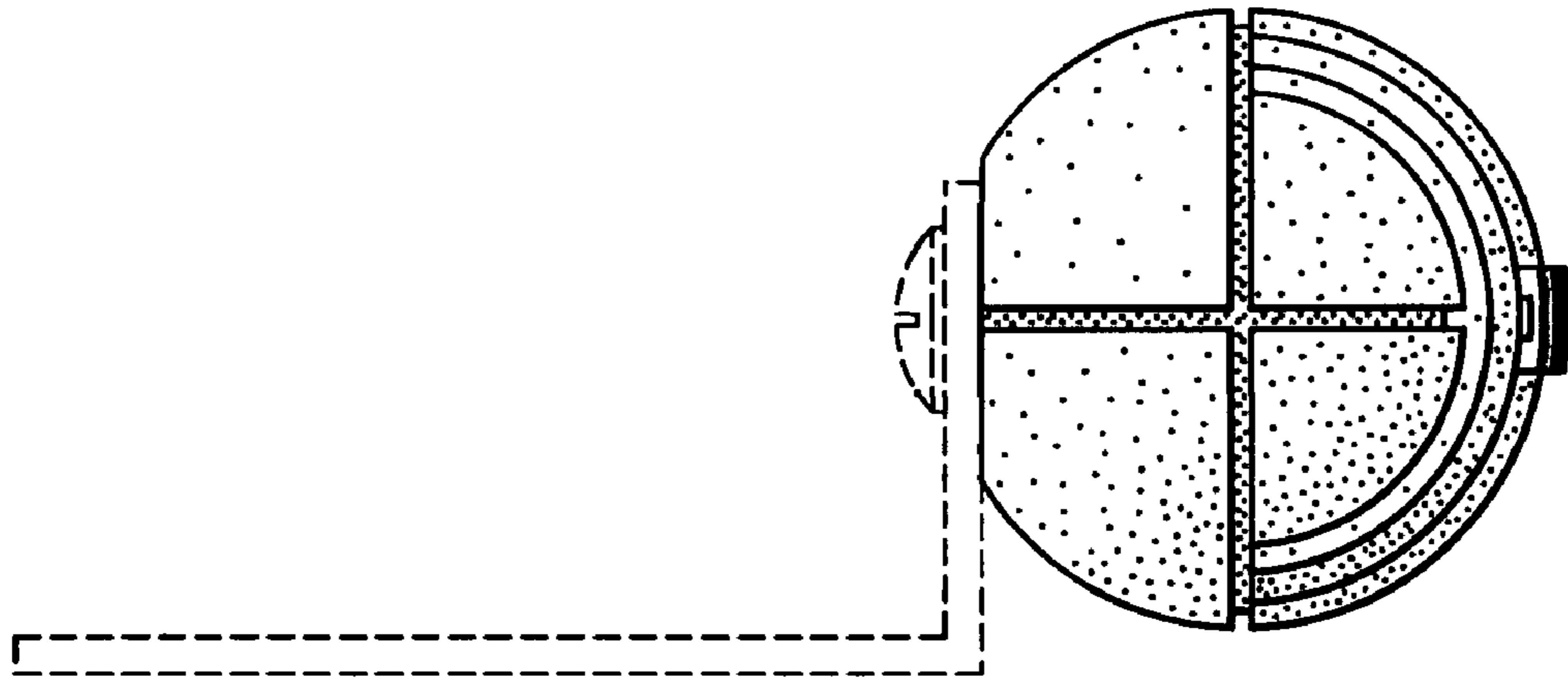


FIG. 4

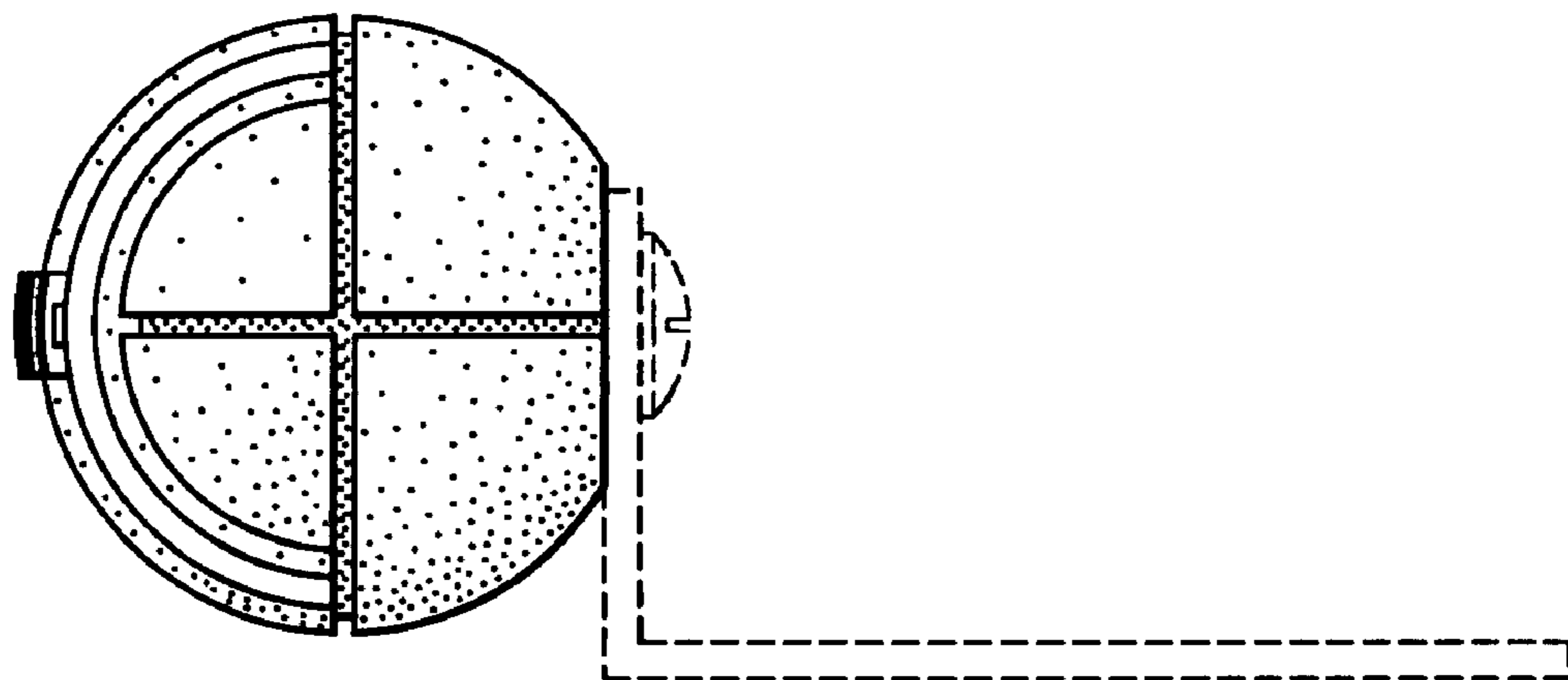


FIG. 5

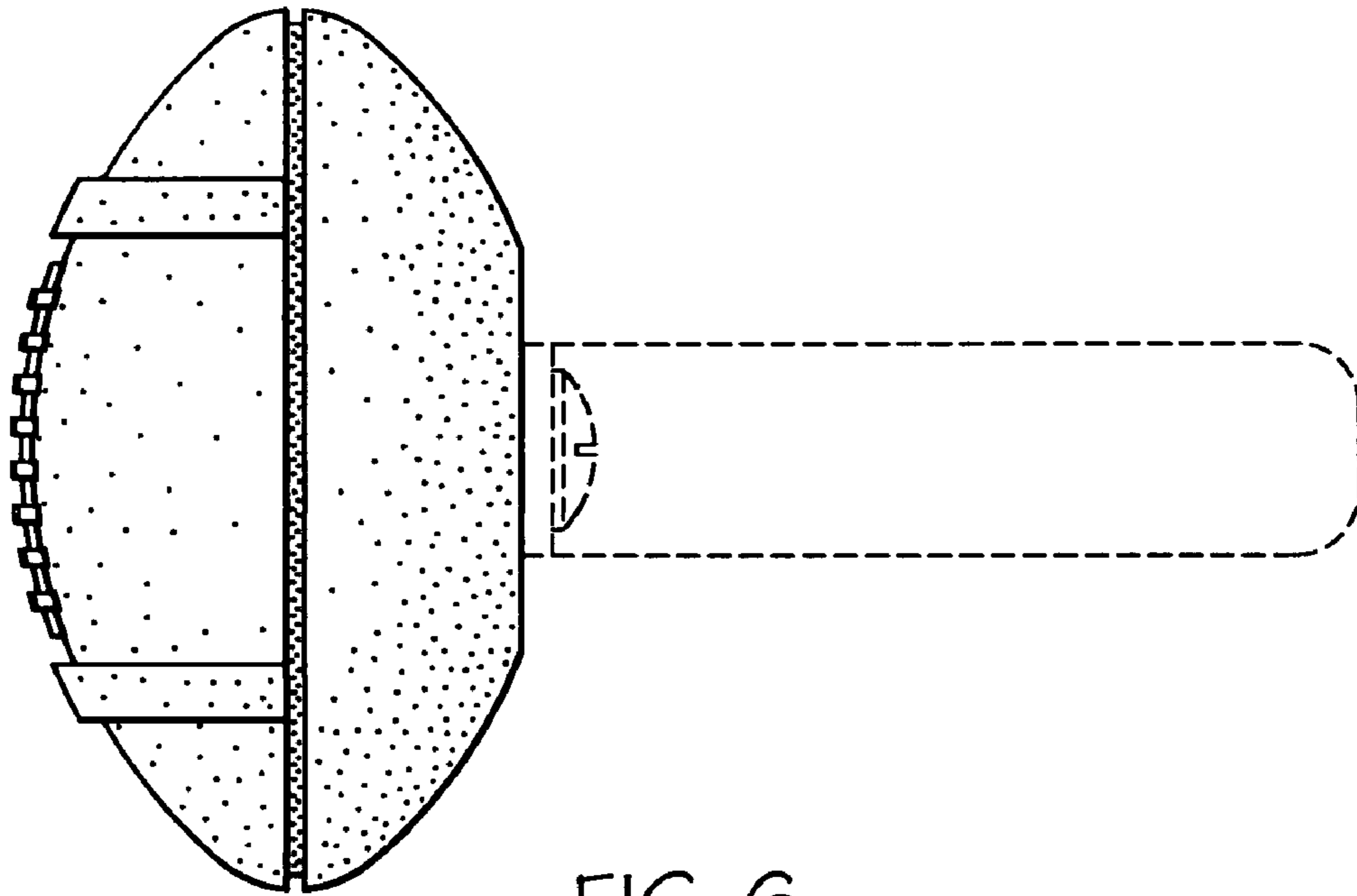


FIG. 6

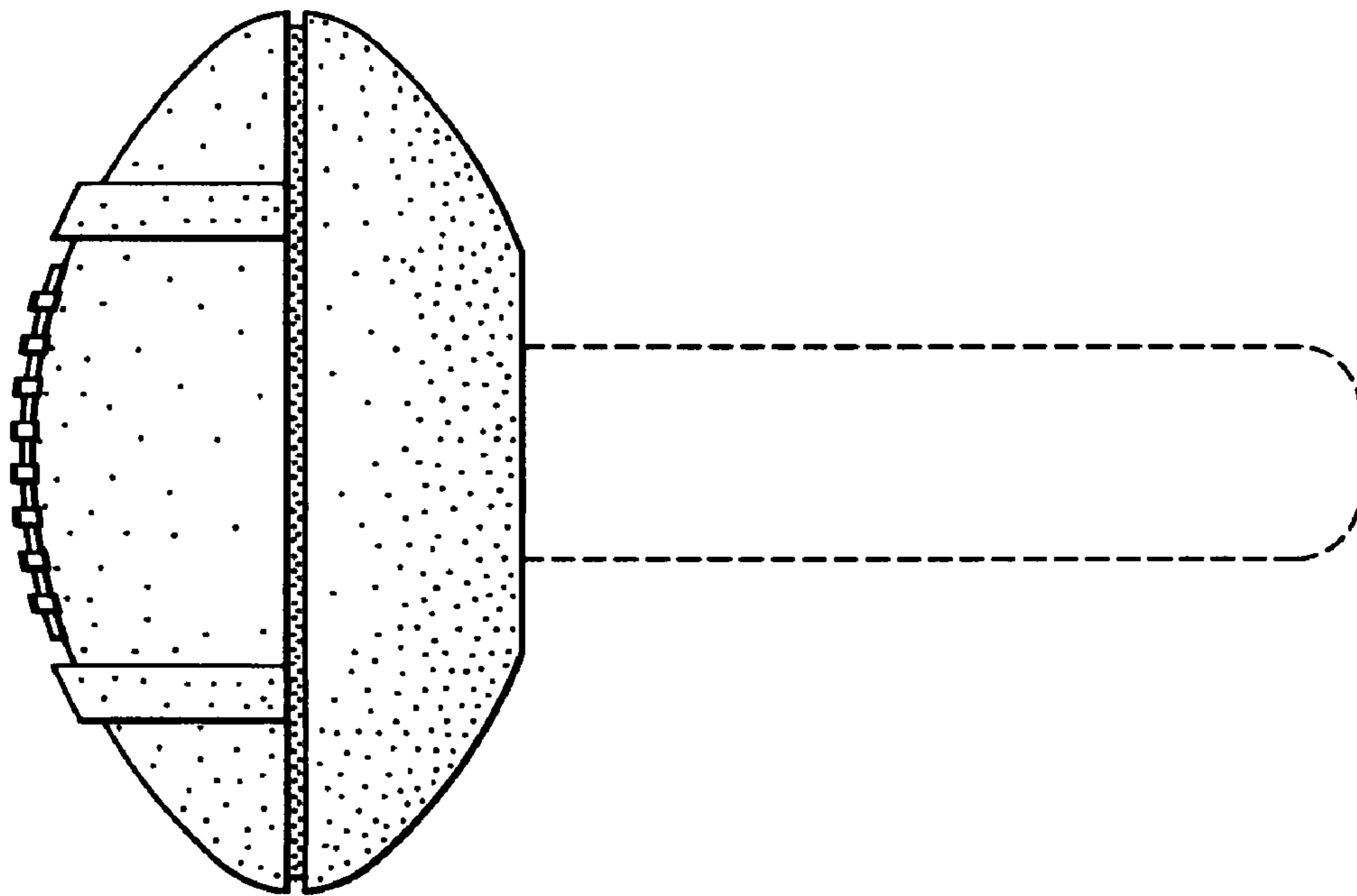


FIG. 7