



US00D575617S

(12) **United States Design Patent**  
**Cuffe**

(10) **Patent No.:** **US D575,617 S**

(45) **Date of Patent:** **\*\* Aug. 26, 2008**

(54) **TOILET SEAT HANDLE**

(76) Inventor: **Michael W. Cuffe**, 1843 Fox Springs  
Cir., Newbury Park, CA (US)  
91320-5906

(\*\*) Term: **14 Years**

(21) Appl. No.: **29/289,404**

(22) Filed: **Jul. 19, 2007**

(51) **LOC (8) Cl.** ..... **08-06**

(52) **U.S. Cl.** ..... **D8/307; D8/305**

(58) **Field of Classification Search** ..... D8/302,  
D8/305, 307, 378, 83; D23/309, 311; 4/246.1;  
16/227; D6/303; D1/106; D19/82, 94, 97,  
D19/54; D27/148; 206/217; 40/721; D16/227;  
D7/515, 901, 300.2; D21/406, 713, 781;  
D28/76; D99/34; 428/11; D17/22; D9/451,  
D9/441

See application file for complete search history.

(56) **References Cited**

**U.S. PATENT DOCUMENTS**

3,935,601	A	2/1976	Hermann	
4,574,401	A	3/1986	Nakajima	
D293,690	S *	1/1988	Adler	D19/78
4,742,582	A	5/1988	Giallourakis	
4,875,251	A	10/1989	Hazard	
4,920,586	A	5/1990	Giallourakis	
5,986,523	A	2/1992	DeMott et al.	
D339,240	S *	9/1993	Perkins	D6/303
D340,073	S *	10/1993	Turner	D19/82
D357,500	S *	4/1995	Mutterperl	D19/36
D373,310	S *	9/1996	Trautmann	D9/441
5,729,839	A *	3/1998	Bigelow	4/246.1
D408,856	S *	4/1999	Anavil	D19/54

D420,255	S *	2/2000	D'Arrigo	D7/515
D426,625	S *	6/2000	Manning	D8/307
D446,723	S *	8/2001	Siegel et al.	D9/451
D459,749	S *	7/2002	Cohen	D17/22
D498,835	S	11/2004	Bettinger	
D507,213	S *	7/2005	Friga	D12/162
D508,392	S	8/2005	Ehle	
D515,907	S	2/2006	Miller	
D527,609	S	9/2006	Tellinghuisen	
D529,784	S	10/2006	Tellinghuisen	

\* cited by examiner

*Primary Examiner*—Paula A Greene

(74) *Attorney, Agent, or Firm*—Klein, DeNatale, Goldner;  
Charlette M. Crissman

(57) **CLAIM**

The ornamental design for the toilet seat handle, as shown and described.

**DESCRIPTION**

The claimed toilet seat handle is used to attach to the underneath of a toilet seat.

FIG. 1 is a perspective view of the toilet seat handle showing my new design;

FIG. 2 is a right side view thereof;

FIG. 3 is a left side back view thereof;

FIG. 4 is a front view thereof;

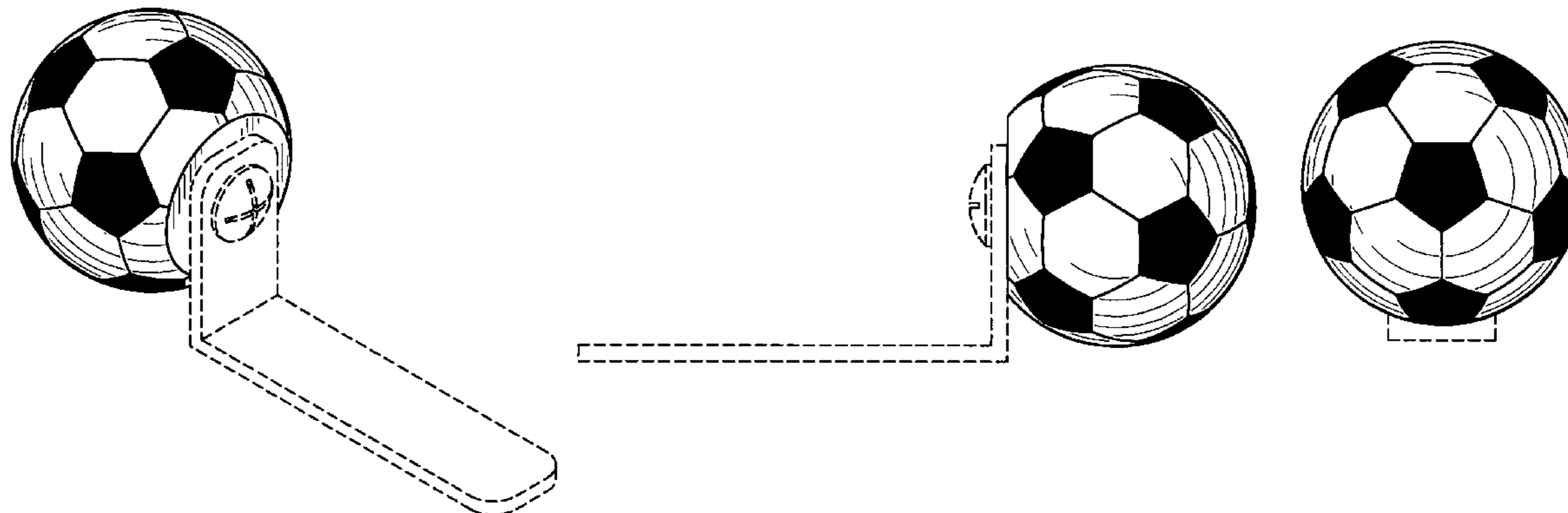
FIG. 5 is a back view thereof;

FIG. 6 is a top view thereof; and,

FIG. 7 is a bottom view thereof.

The broken lines are included for the purpose of illustration and form no part of the claimed design.

**1 Claim, 4 Drawing Sheets**



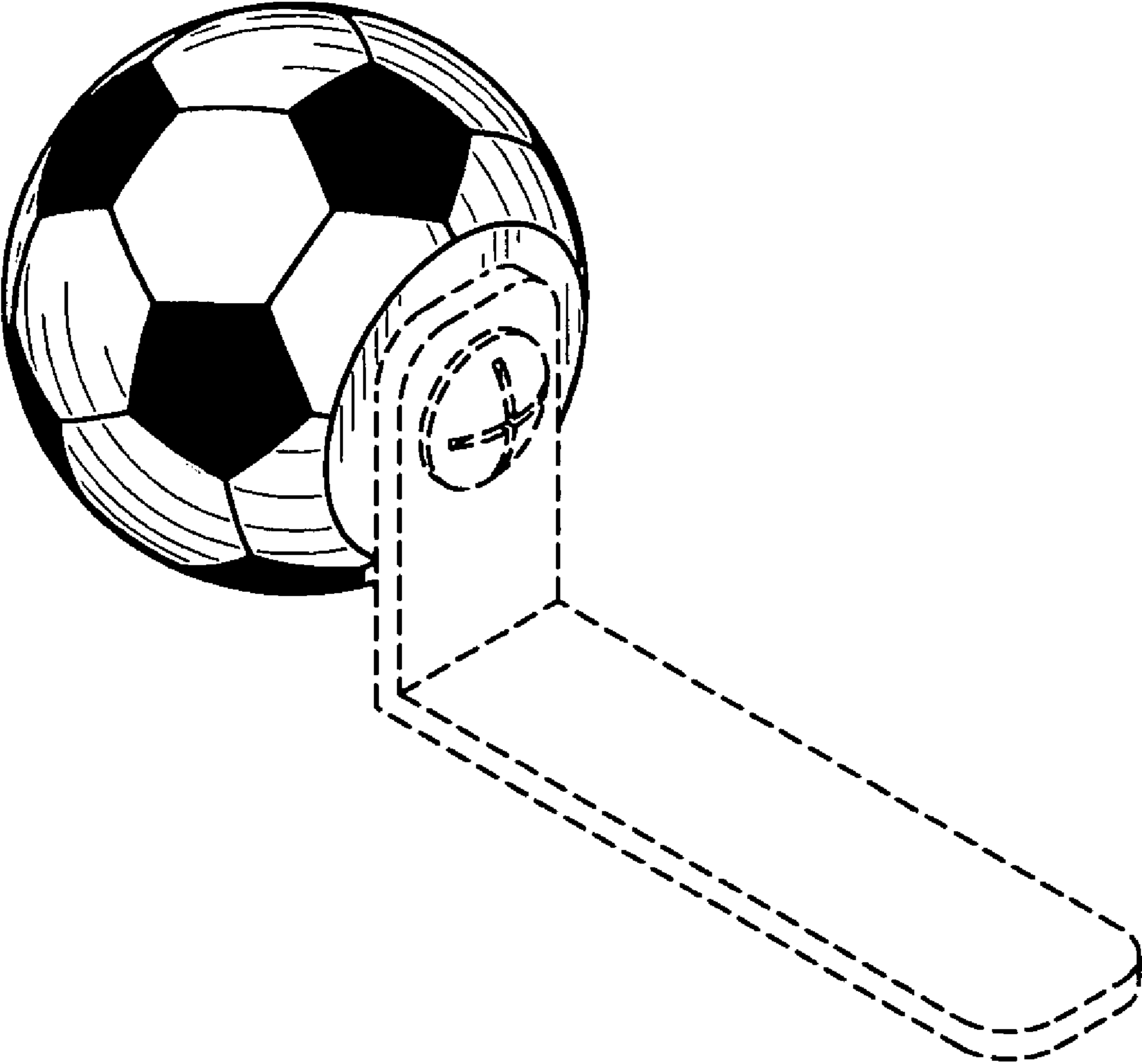


FIG. 1

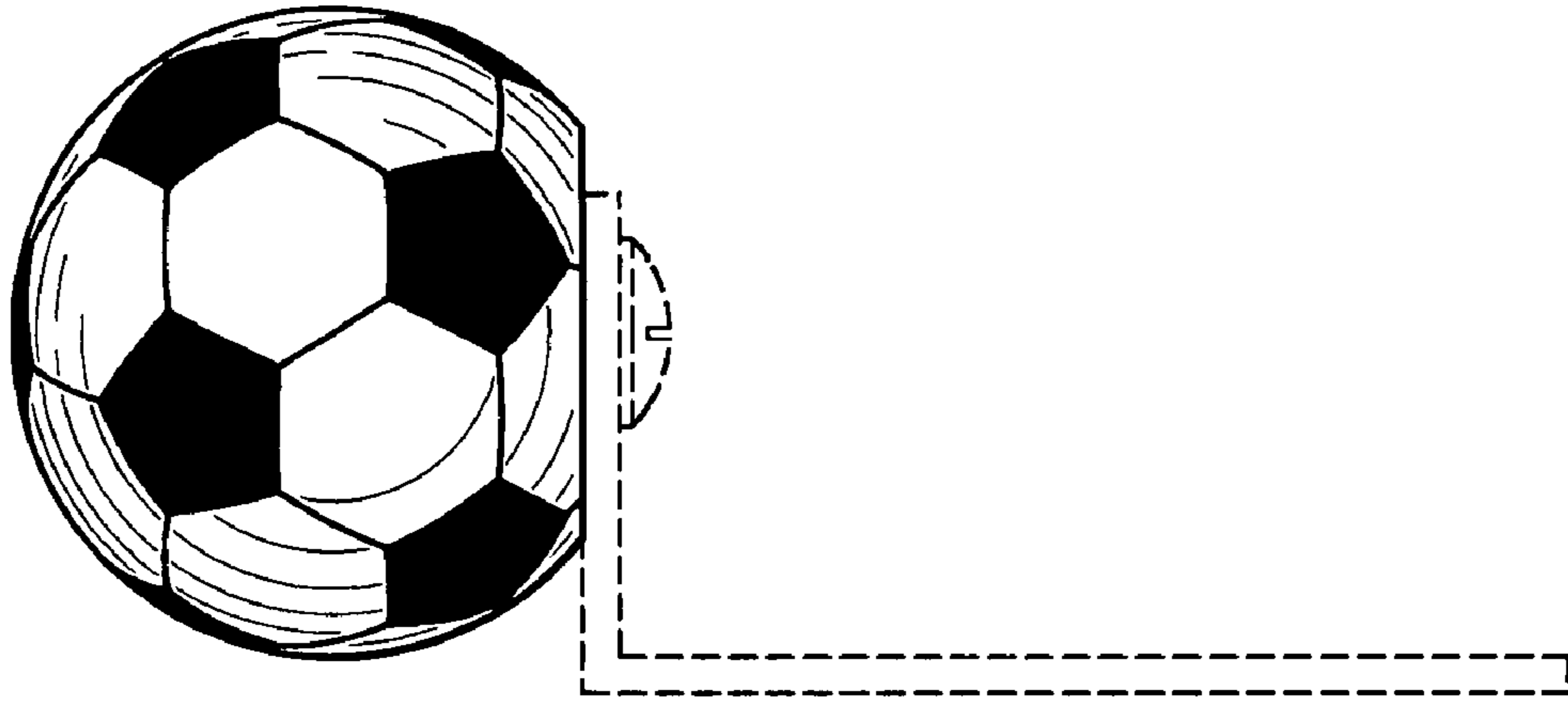


FIG. 2

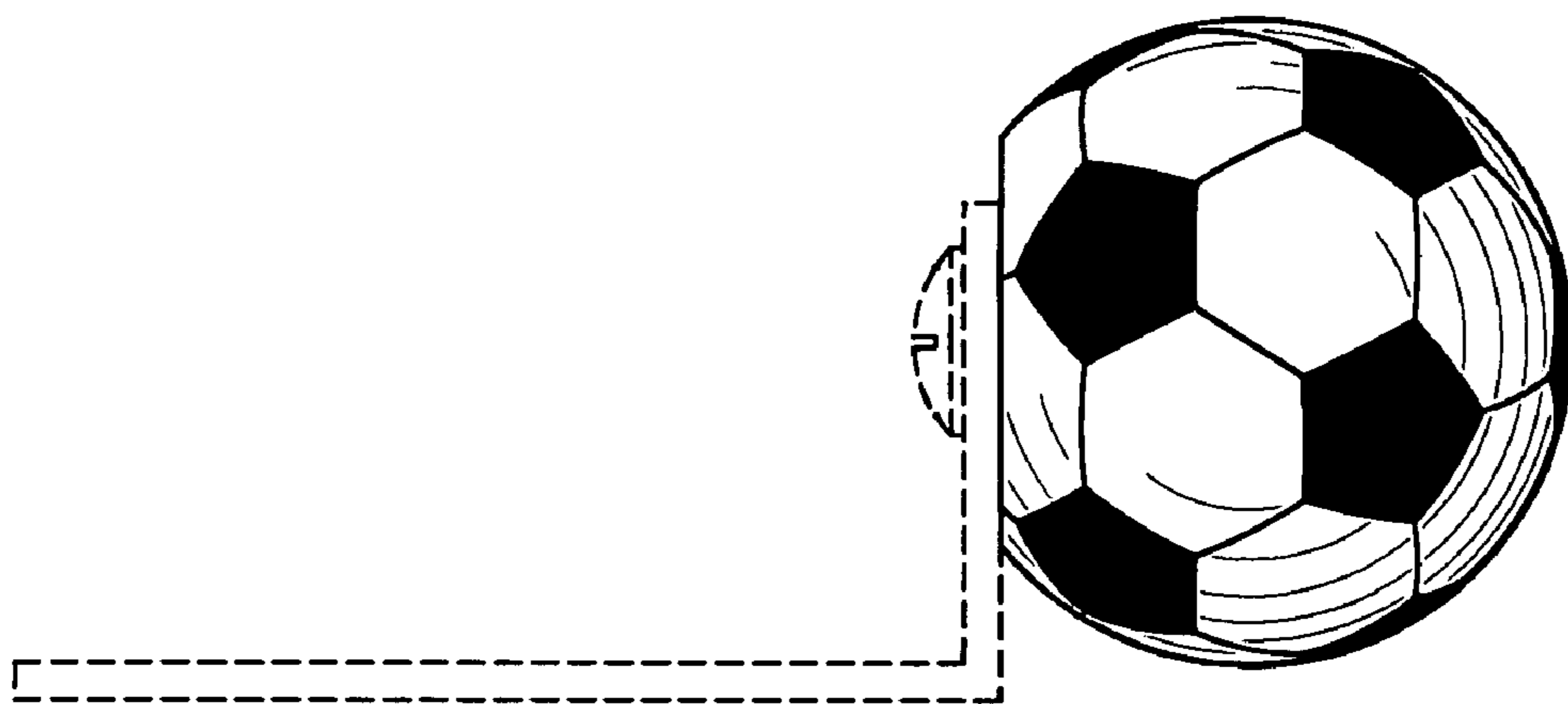


FIG. 3



FIG. 4

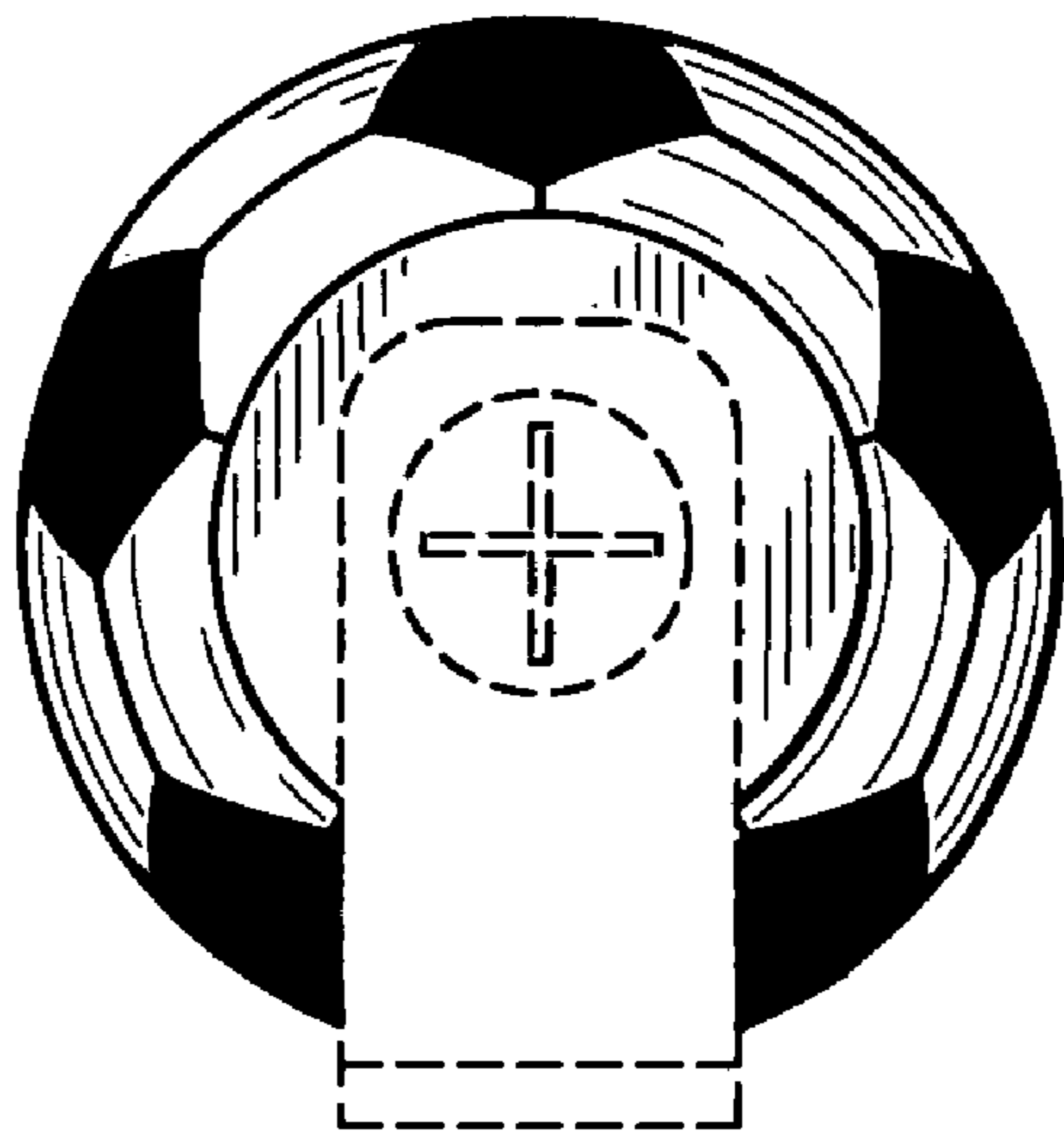


FIG. 5

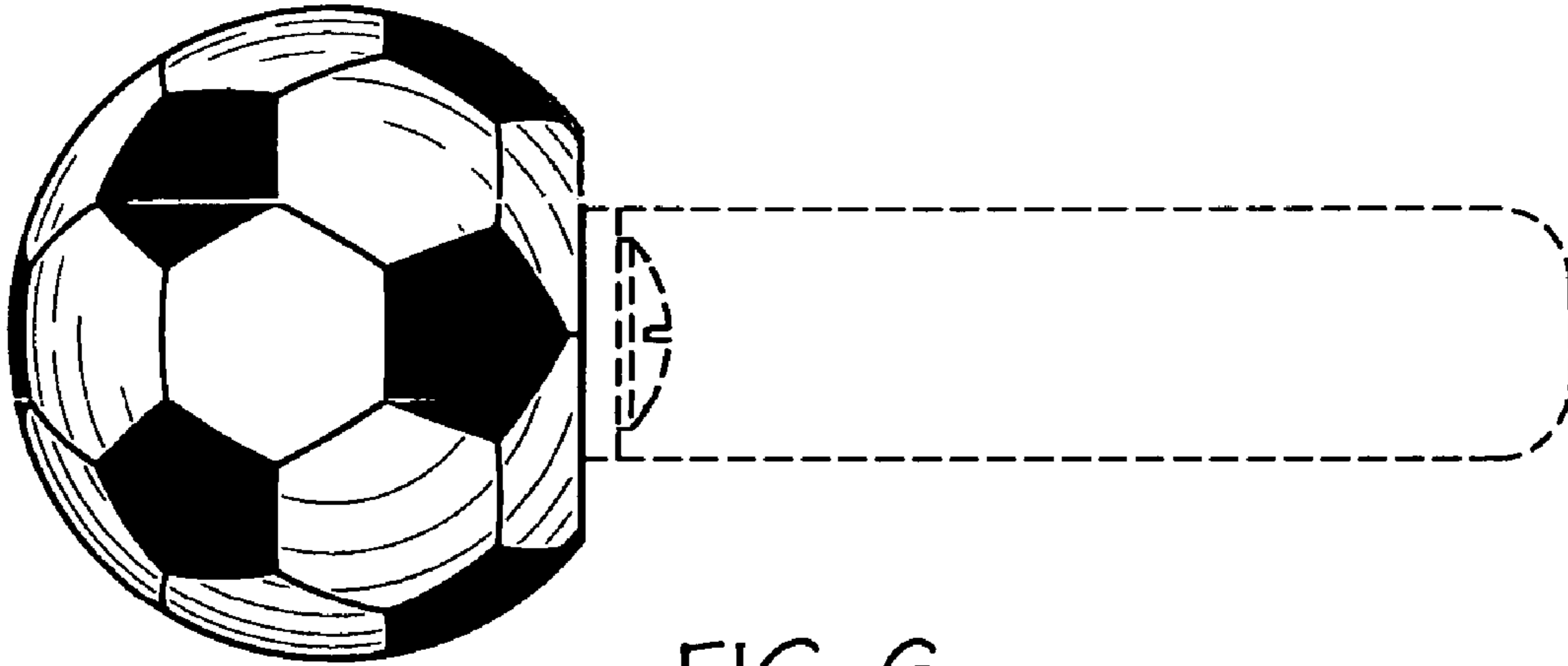


FIG. 6

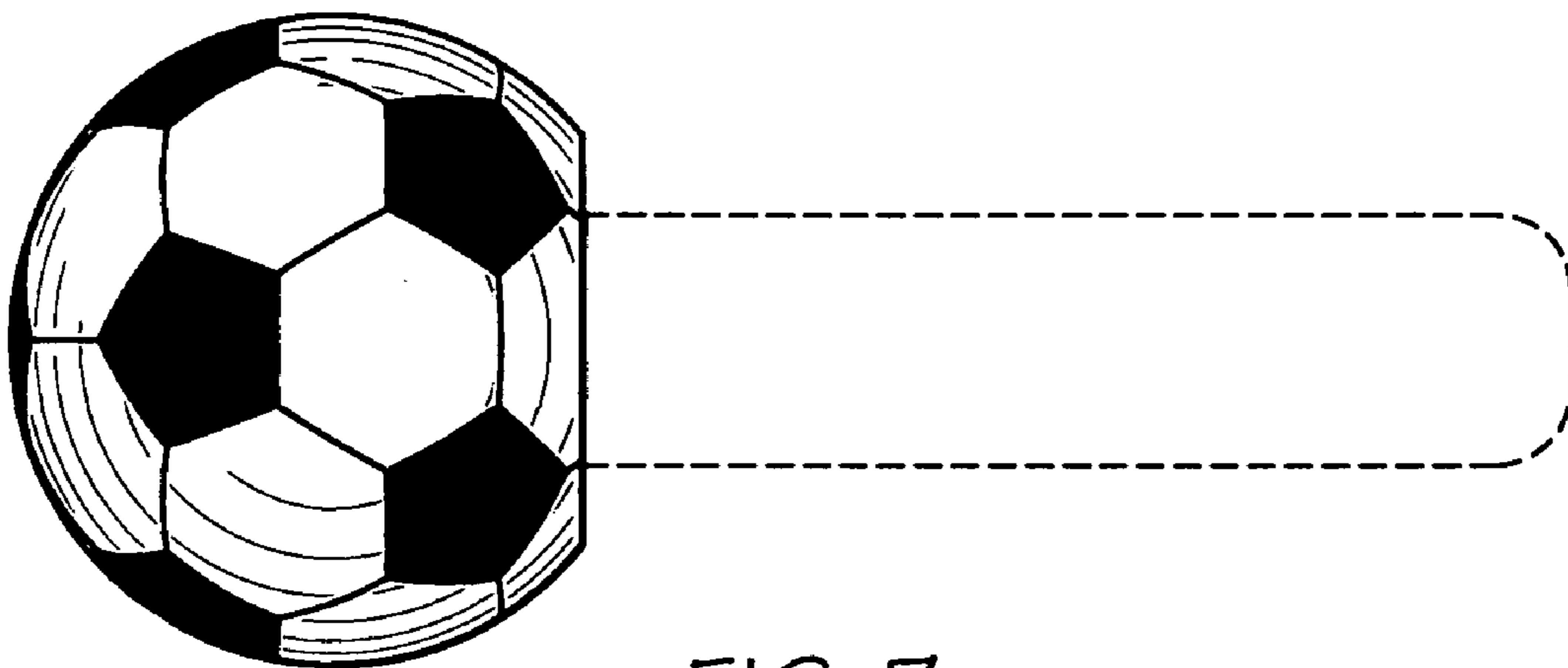


FIG. 7