



US00D575616S

(12) **United States Design Patent**
Cuffe

(10) **Patent No.:** **US D575,616 S**

(45) **Date of Patent:** **** Aug. 26, 2008**

(54) **TOILET SEAT HANDLE**

(76) **Inventor:** **Michael W. Cuffe**, 1843 Fox Springs
Cir., Newbury Park, CA (US)
91320-5906

(**) **Term:** **14 Years**

(21) **Appl. No.:** **29/289,403**

(22) **Filed:** **Jul. 19, 2007**

(51) **LOC (8) Cl.** **08-06**

(52) **U.S. Cl.** **D8/307; D8/305**

(58) **Field of Classification Search** D8/302,
D8/305, 307, 378, 83; D23/309, 311; 4/246.1;
16/227; D6/303; D1/106; D19/82; D27/148;
206/217; 40/721; D16/227; D7/515, 901,
D7/300.2; D21/781, 713; D11/157; D9/451,
D9/668; D12/162; D30/102

See application file for complete search history.

(56) **References Cited**

U.S. PATENT DOCUMENTS

D166,458 S *	4/1952	Edwards	D30/102
3,624,939 A *	12/1971	Gossard	40/721
3,935,601 A	2/1976	Hermann		
D265,454 S *	7/1982	Martin	D6/303
4,574,401 A	3/1986	Nakajima		
4,742,582 A	5/1988	Giallourakis		
4,875,251 A	10/1989	Hazard		
4,920,586 A	5/1990	Giallourakis		
5,986,523 A	2/1992	DeMott et al.		
D340,076 S *	10/1993	Turner	D19/82
D354,371 S *	1/1995	Wood	D28/48
D373,930 S *	9/1996	Gruneisen, III	D7/515
D385,482 S *	10/1997	Bried et al.	D8/378
D391,478 S *	3/1998	D'Arrigo	D9/668
D392,467 S *	3/1998	Oldham	D6/303

D426,137 S *	6/2000	Ball et al.	D8/305
D446,072 S *	8/2001	Cohen	D7/300.2
D498,835 S	11/2004	Bettinger		
D508,392 S	8/2005	Ehle		
D513,686 S *	1/2006	Bailey	D7/515
D515,907 S	2/2006	Miller		
D527,609 S	9/2006	Tellinghuisen		
D529,784 S	10/2006	Tellinghuisen		
D533,239 S *	12/2006	Yang	D21/713
D561,652 S *	2/2008	Friga	D12/162

* cited by examiner

Primary Examiner—Paula A Greene

(74) *Attorney, Agent, or Firm*—Klein, DeNatale, Goldner;
Charlette M. Crissman

(57) **CLAIM**

The ornamental design for the toilet seat handle, as shown and described.

DESCRIPTION

The claimed toilet seat handle is used to attach to the underneath of a toilet seat.

FIG. 1 is a perspective view of the toilet seat handle showing my new design;

FIG. 2 is a right side view thereof;

FIG. 3 is a left side view thereof;

FIG. 4 is a front view thereof;

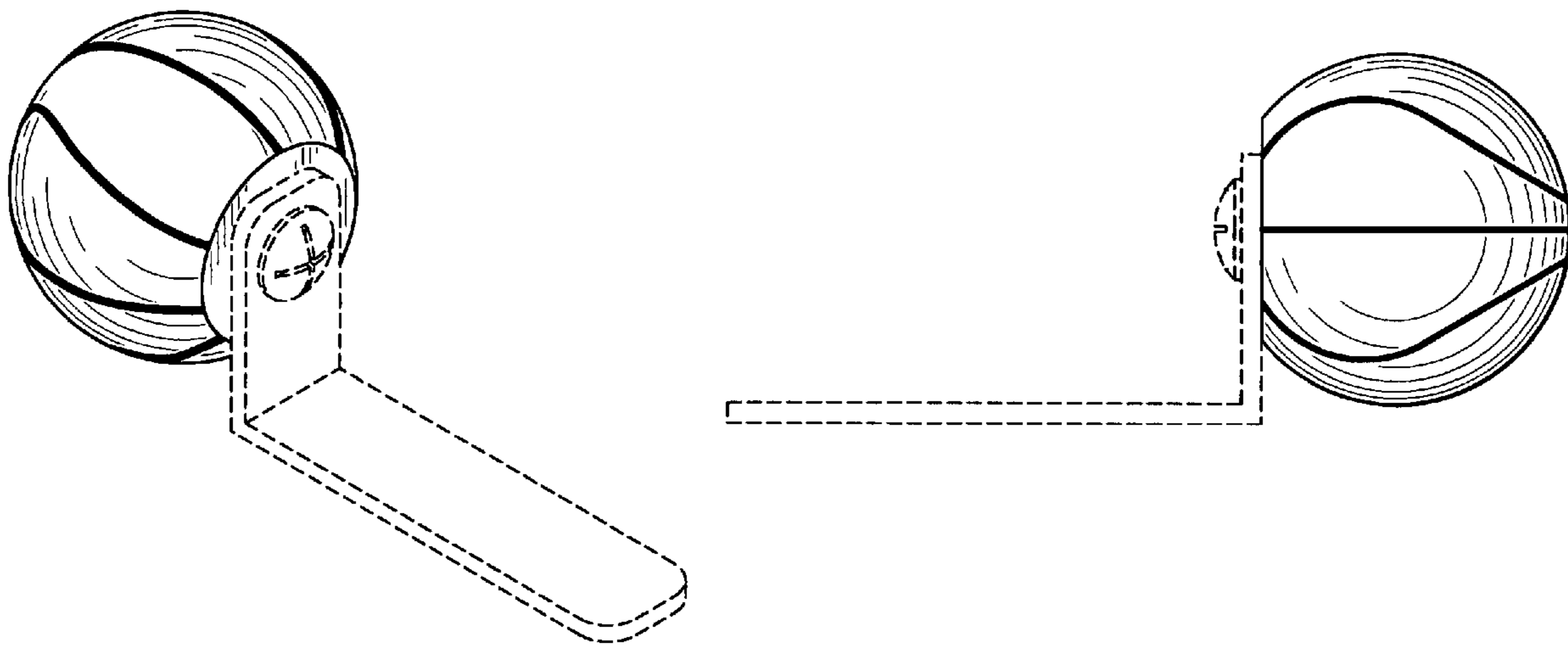
FIG. 5 is a back view thereof;

FIG. 6 is a top view thereof; and,

FIG. 7 is a bottom view thereof.

The broken lines are included for the purpose of illustration and form no part of the claimed design.

1 Claim, 4 Drawing Sheets



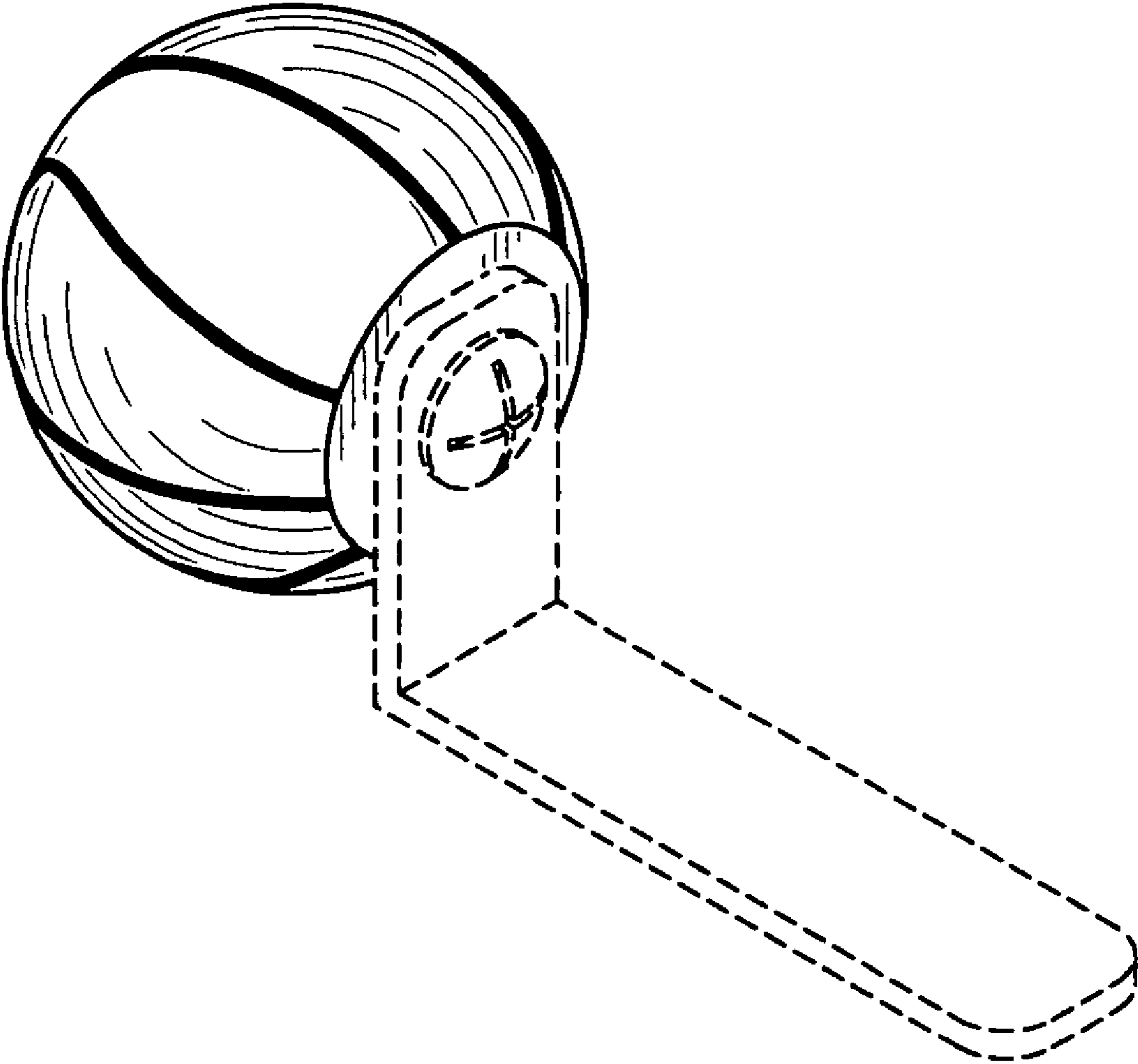


FIG. 1

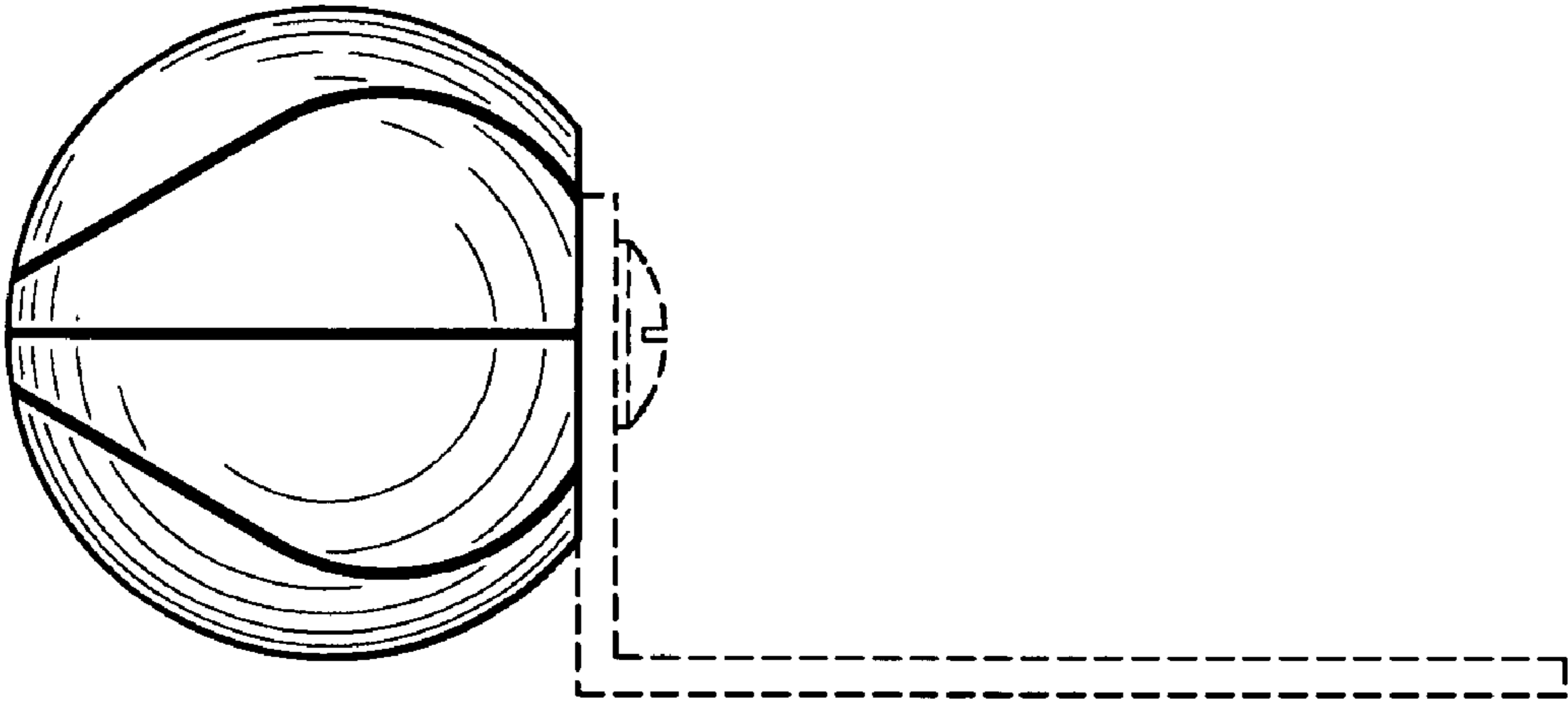


FIG. 2

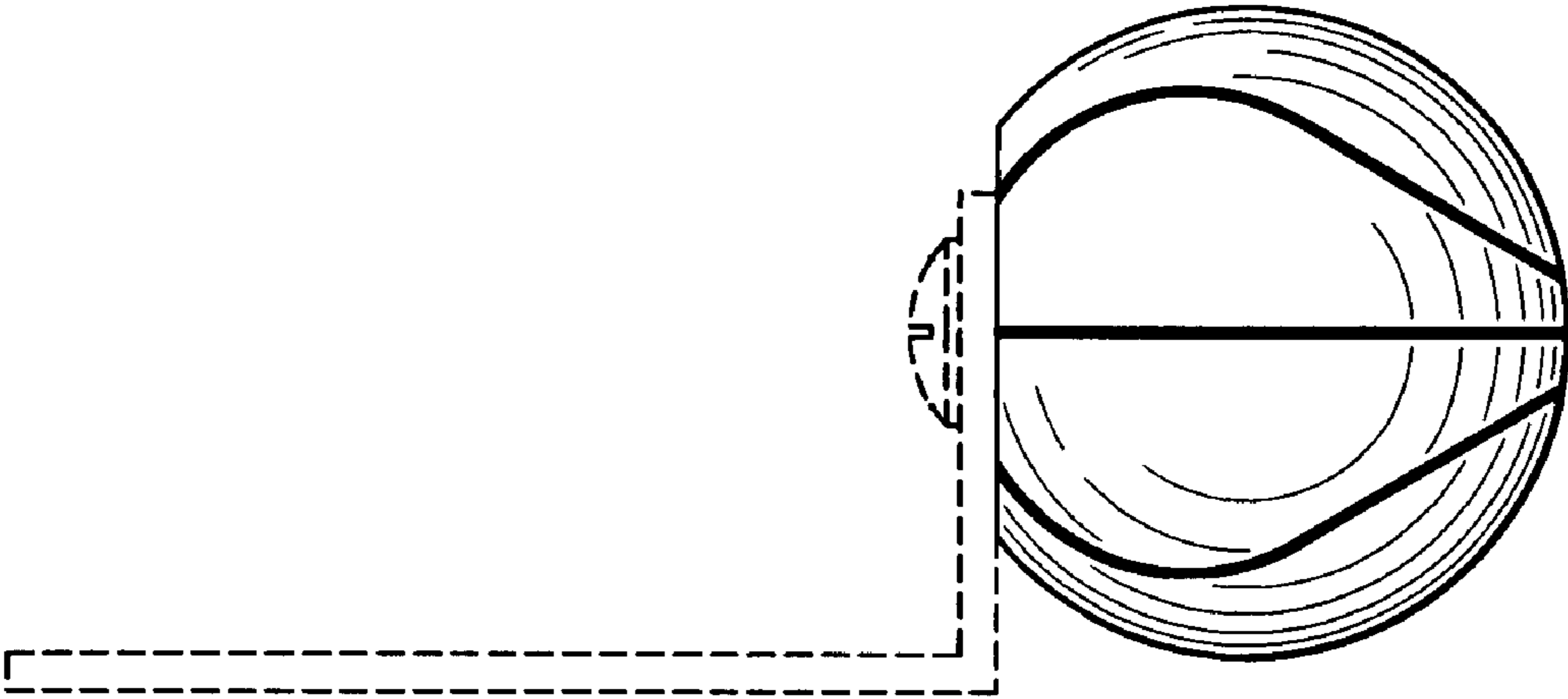


FIG. 3

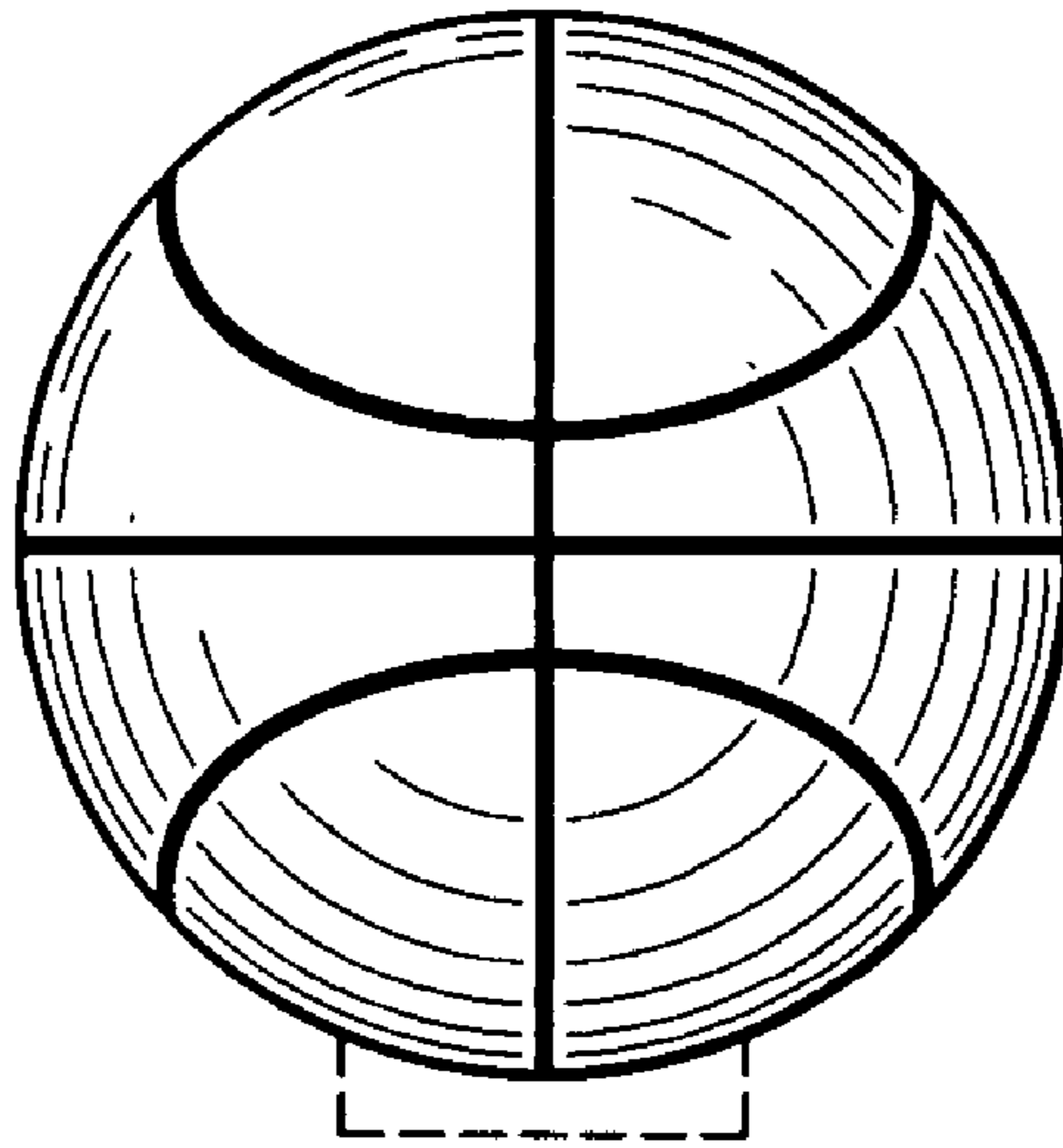


FIG. 4

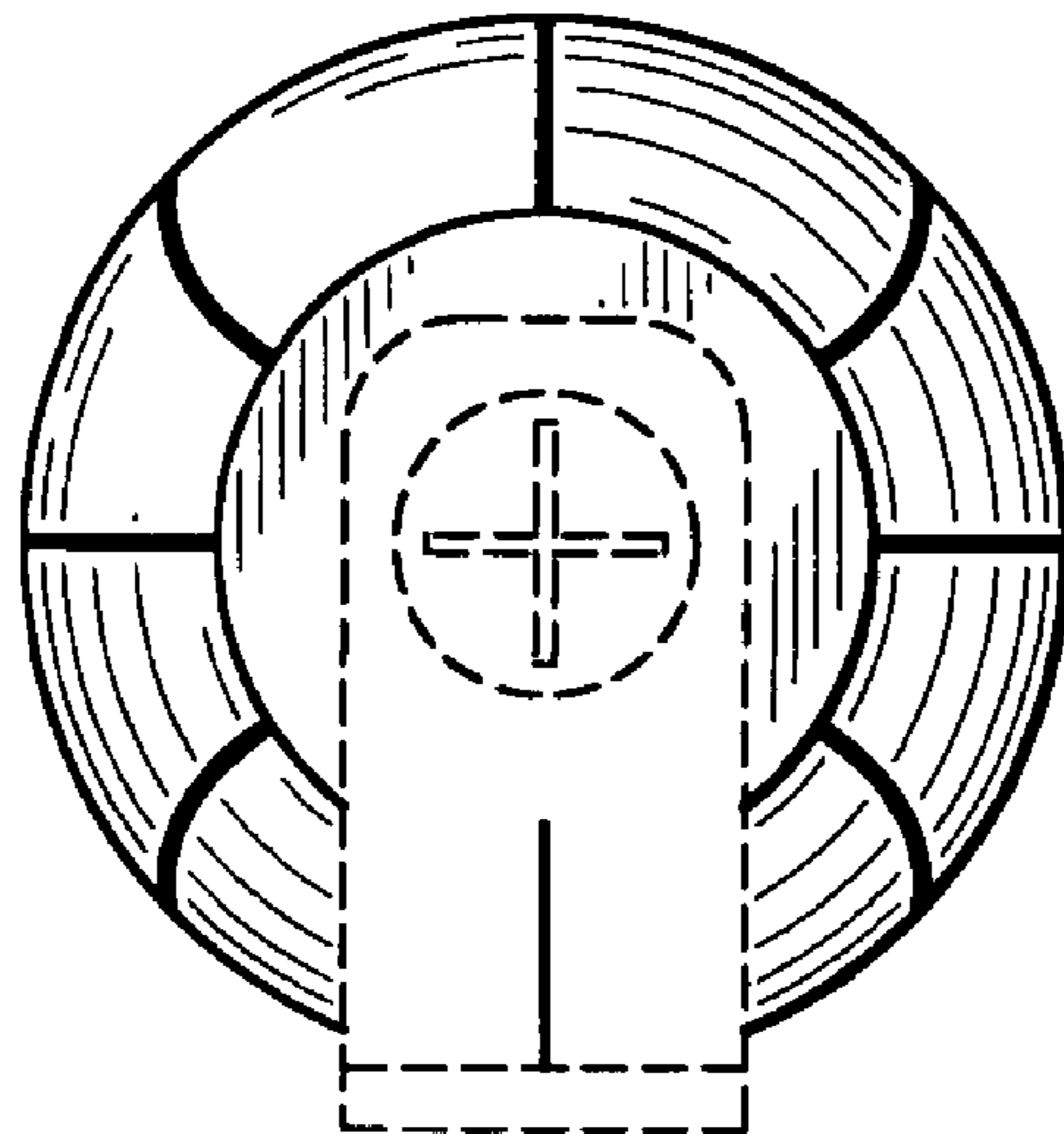


FIG. 5

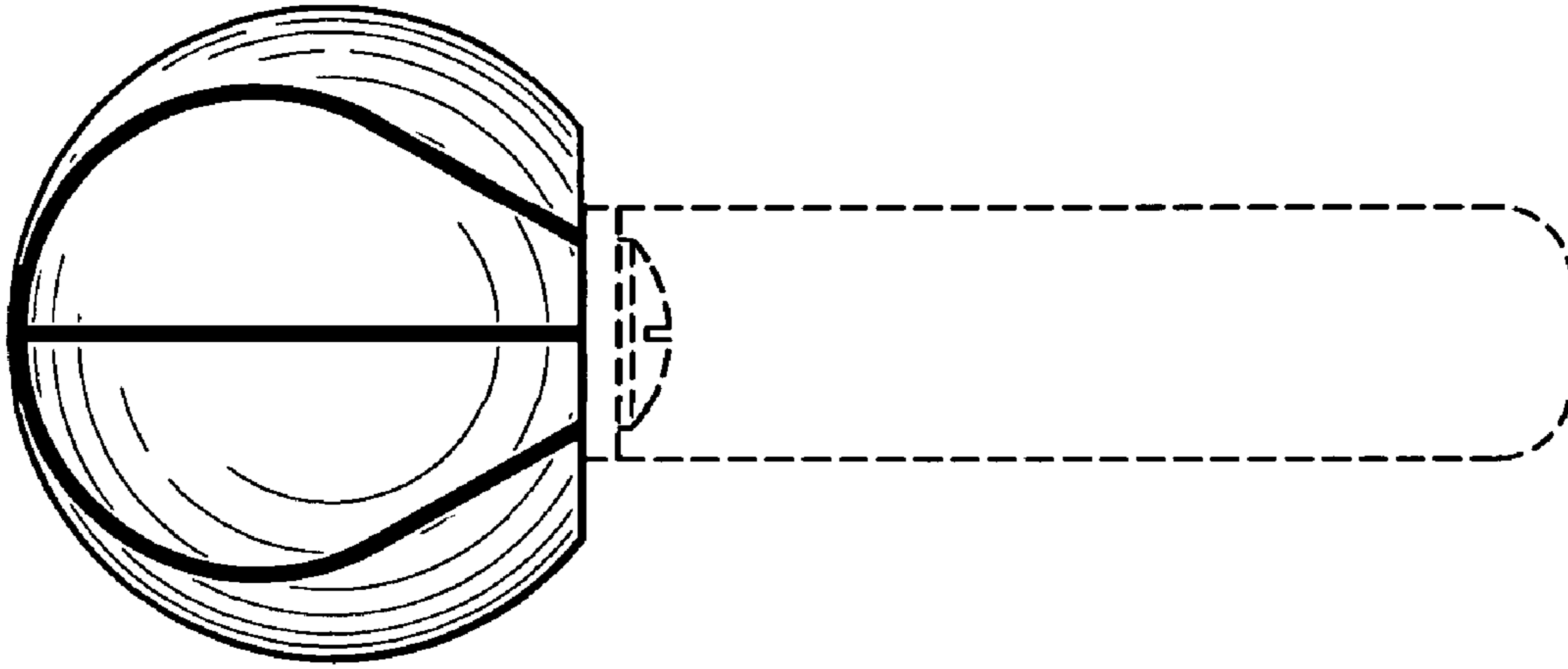


FIG. 6

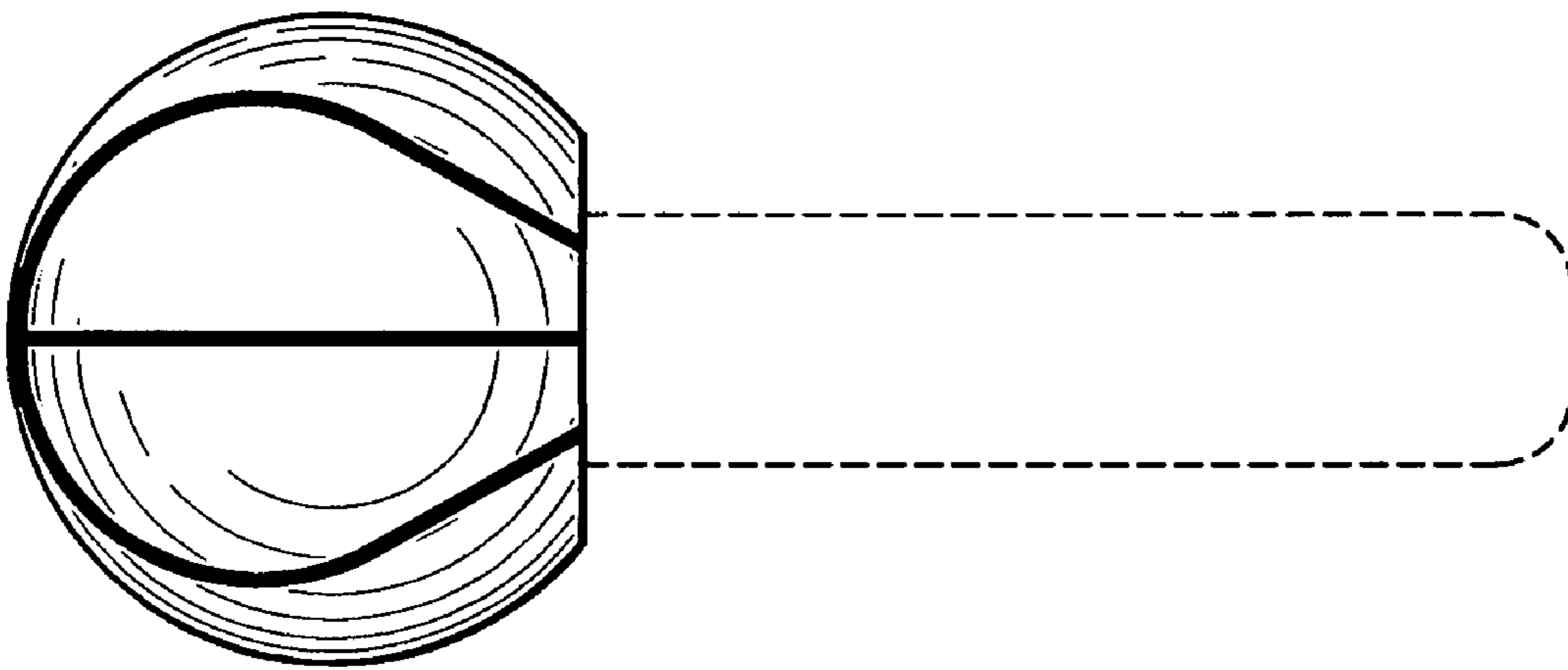


FIG. 7