



US00D575615S

(12) **United States Design Patent**
Araiza

(10) **Patent No.:** **US D575,615 S**

(45) **Date of Patent:** **** Aug. 26, 2008**

(54) **WIRING HARNESS TOOLING DEVICE**

(75) Inventor: **Carlos Rafael Rodriguez Araiza**,
Antioch, TN (US)

(73) Assignee: **K & S Wiring Systems Inc.**, Lavergne,
TN (US)

(**) Term: **14 Years**

(21) Appl. No.: **29/290,340**

(22) Filed: **Nov. 21, 2007**

(51) **LOC (8) Cl.** **08-03**

(52) **U.S. Cl.** **D8/105**

(58) **Field of Classification Search** D8/99,
D8/58, 55, 52, 356, 107, 105; D19/65; 81/440,
81/427.5; 7/160, 138, 128, 118; 30/298.4,
30/162, 161, 155

See application file for complete search history.

(56) **References Cited**

U.S. PATENT DOCUMENTS

6,014,787	A *	1/2000	Rivera	7/128
D427,875	S *	7/2000	Chiu	D8/105
6,085,374	A *	7/2000	Richey	7/118
6,220,127	B1 *	4/2001	Berg et al.	81/427.5
RE37,210	E *	6/2001	Chuang	7/138
6,286,168	B1 *	9/2001	Woodruff et al.	7/138
D479,788	S *	9/2003	Ocklenburg	D8/105
6,622,329	B2 *	9/2003	Ostor et al.	7/138
D494,438	S *	8/2004	Falkenstein et al.	D8/105
7,140,280	B2 *	11/2006	Hawkins et al.	81/440
D544,329	S *	6/2007	Tansbo et al.	D8/105
D555,455	S *	11/2007	Cheng	D8/105
2002/0073490	A1 *	6/2002	Wu	7/138

* cited by examiner

Primary Examiner—Cathron Brooks

Assistant Examiner—Austin Murphy

(74) *Attorney, Agent, or Firm*—Pillsbury Winthrop Shaw Pittman LLP

(57) **CLAIM**

The ornamental design for a wiring harness tooling device, as shown and described.

DESCRIPTION

FIG. 1 is a perspective view of the wiring harness tooling device;

FIG. 2 is a side view of thereof;

FIG. 3 is a top view of thereof;

FIG. 4 is a rear view thereof;

FIG. 5 is a front view thereof;

FIG. 6 is a top view of the wiring harness tooling device with the tools shown in a stored position;

FIG. 7 is a side view of FIG. 6;

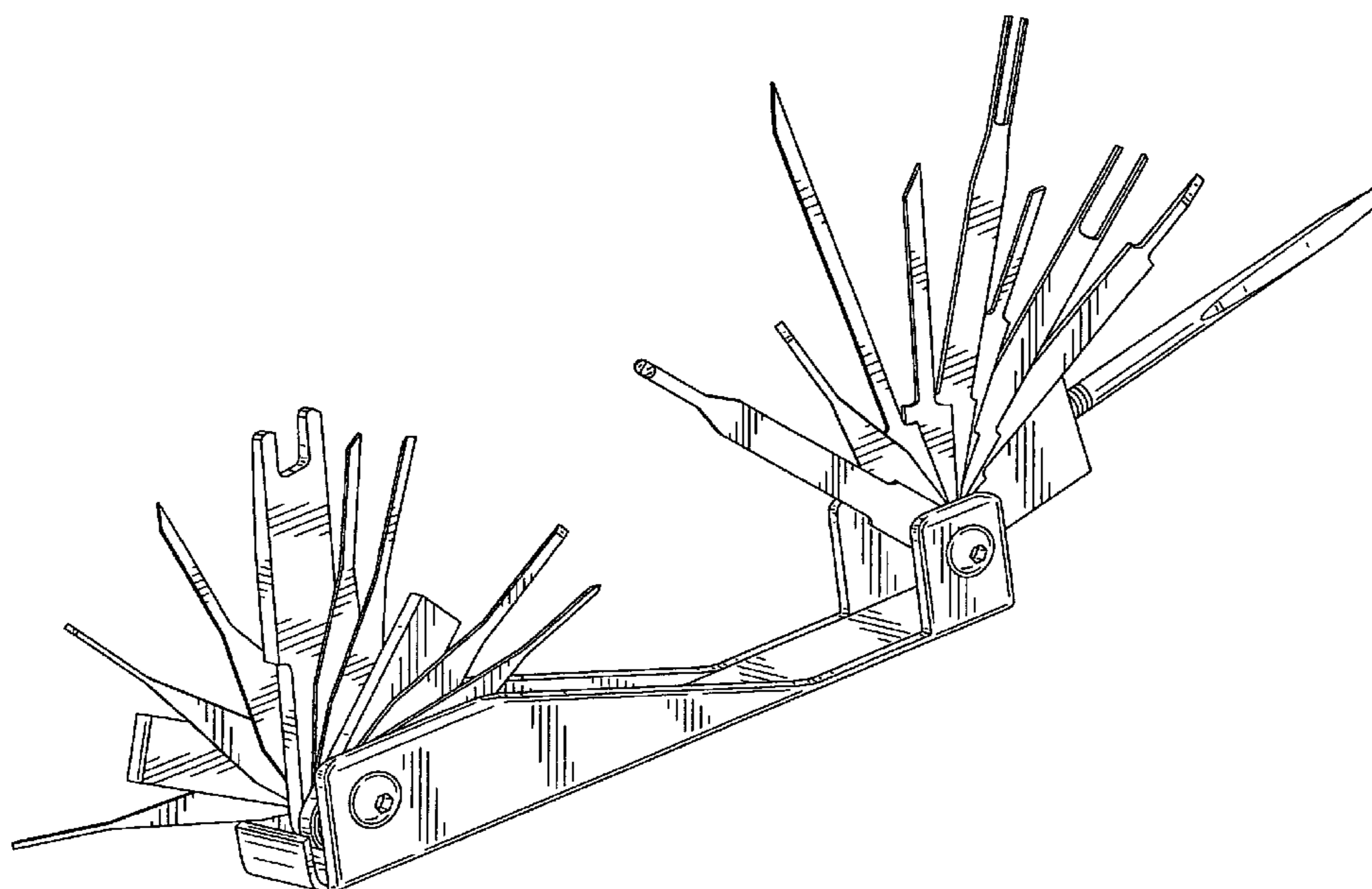
FIG. 8 is a perspective view of a portion of the wiring harness tooling device showing a tool in an extended position of use; and,

FIG. 9 is a perspective view of a portion of the wiring harness tooling device showing a pair of tools in an extended position of use and showing a spacer between the extended tools.

FIGS. 8 and 9 show details of the claimed design in an alternate position of use and portions of the claimed design have been truncated for convenience of illustration.

Where included, broken lines showing environment or structure are for illustrative purposes only and form no part of the claimed design.

1 Claim, 6 Drawing Sheets



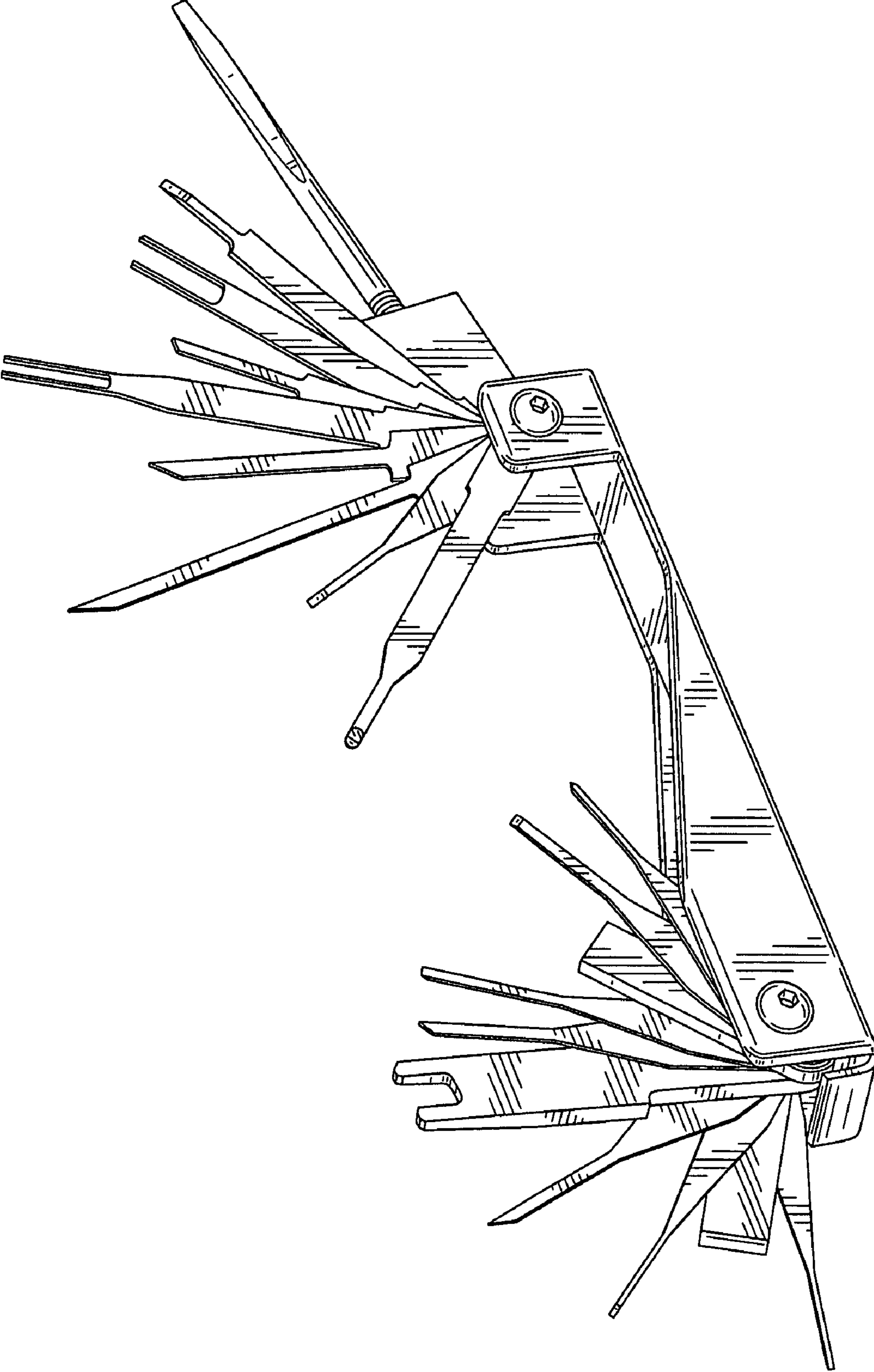


FIG. 1

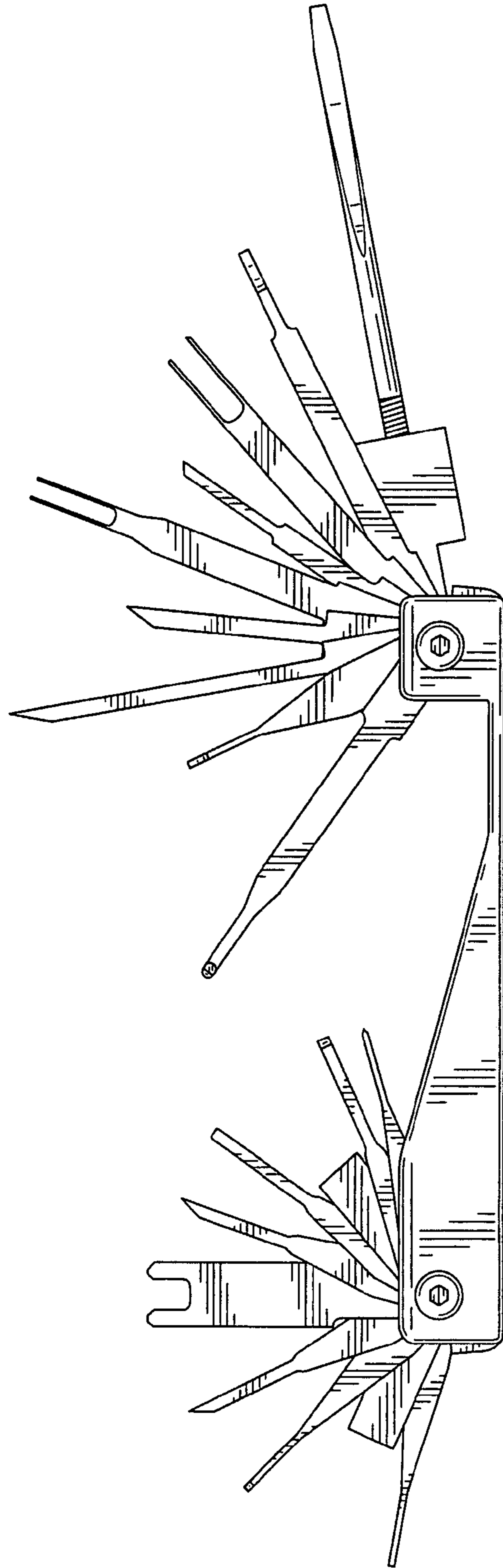


FIG. 2

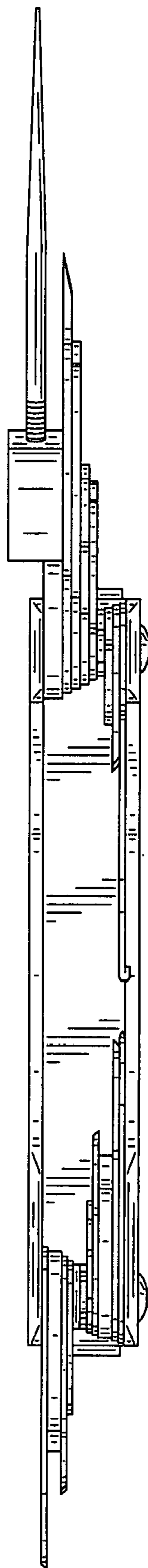


FIG. 3

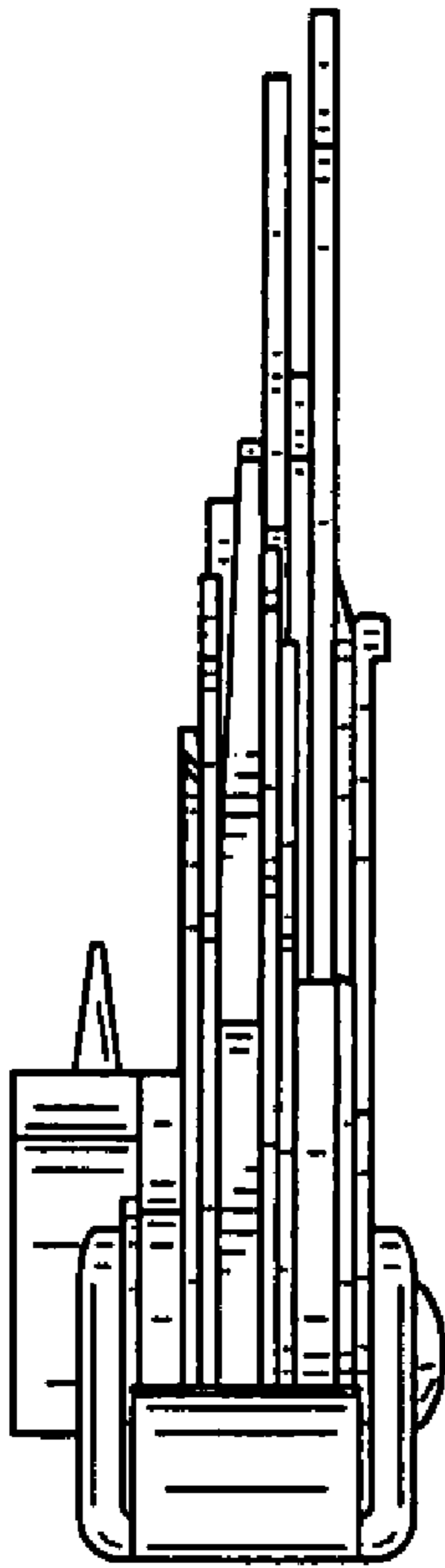


FIG. 4

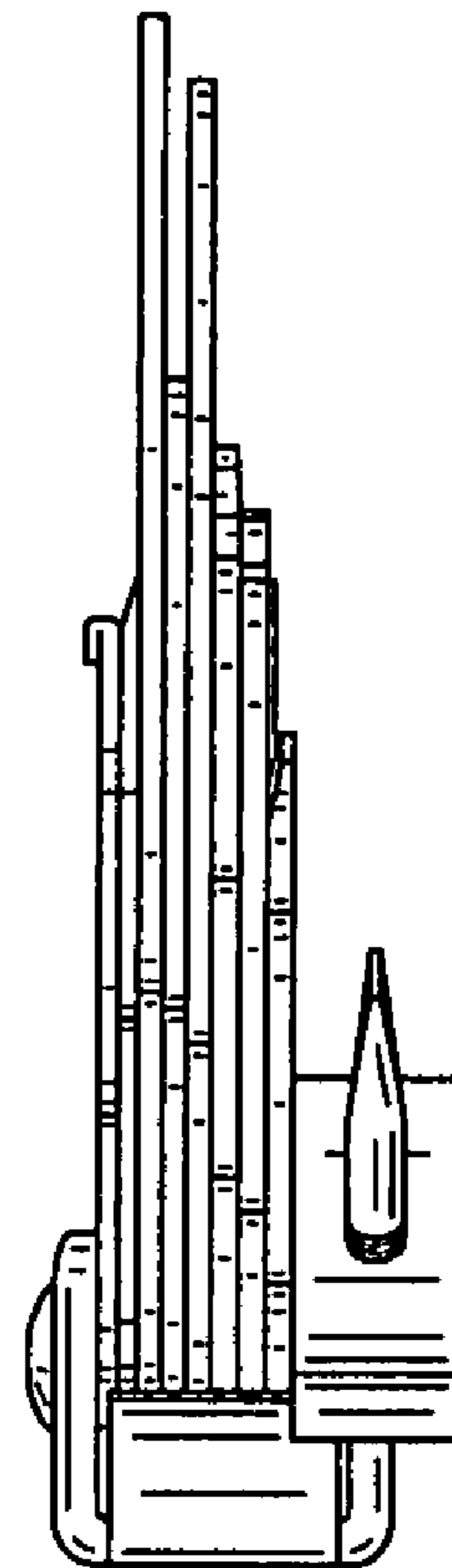


FIG. 5

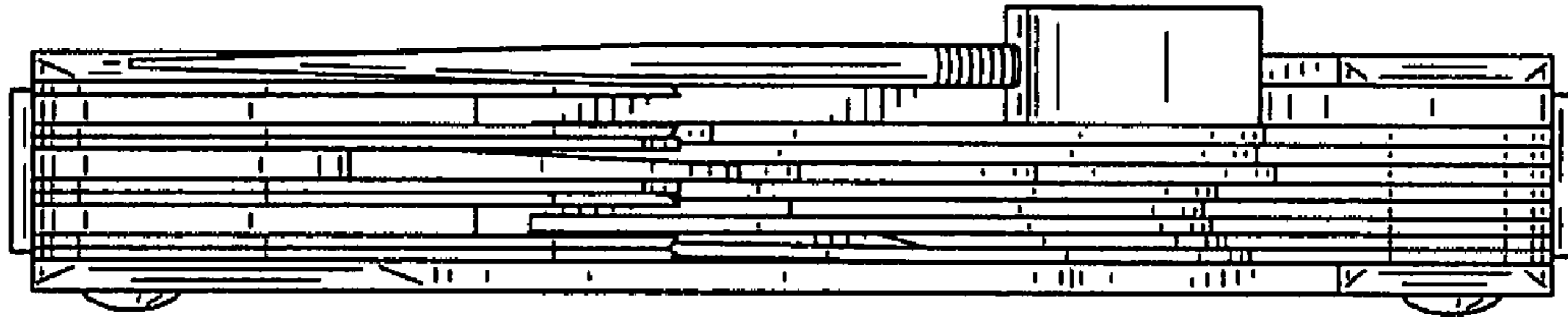


FIG. 6

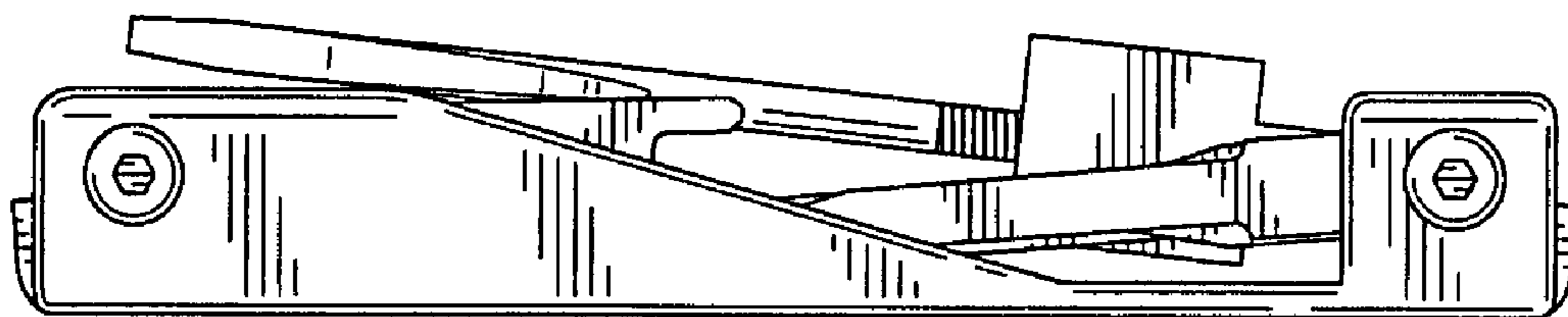


FIG. 7

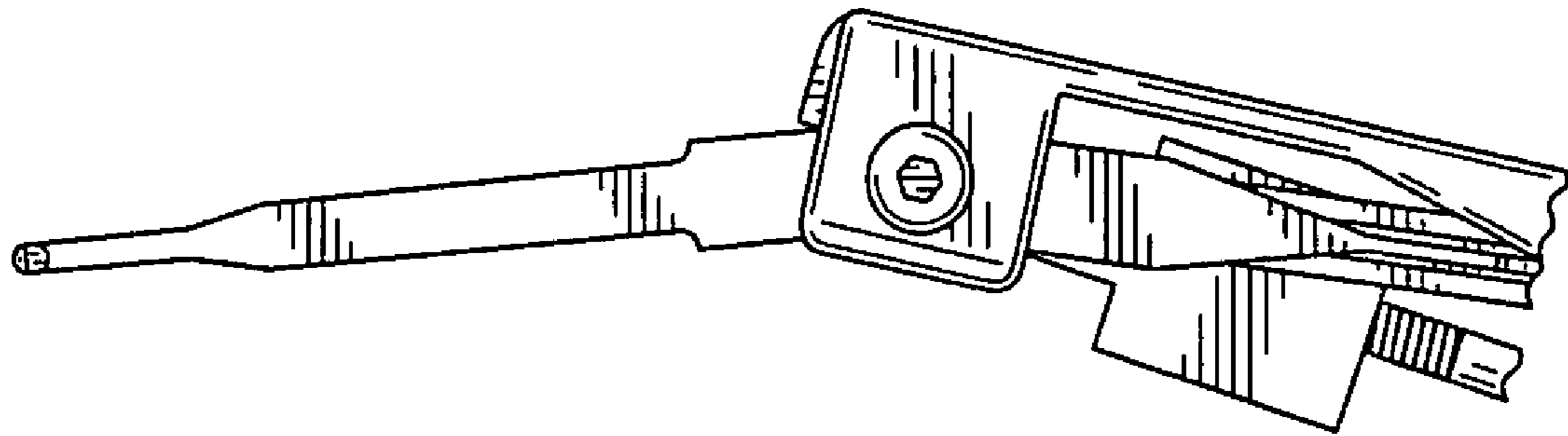


FIG. 8

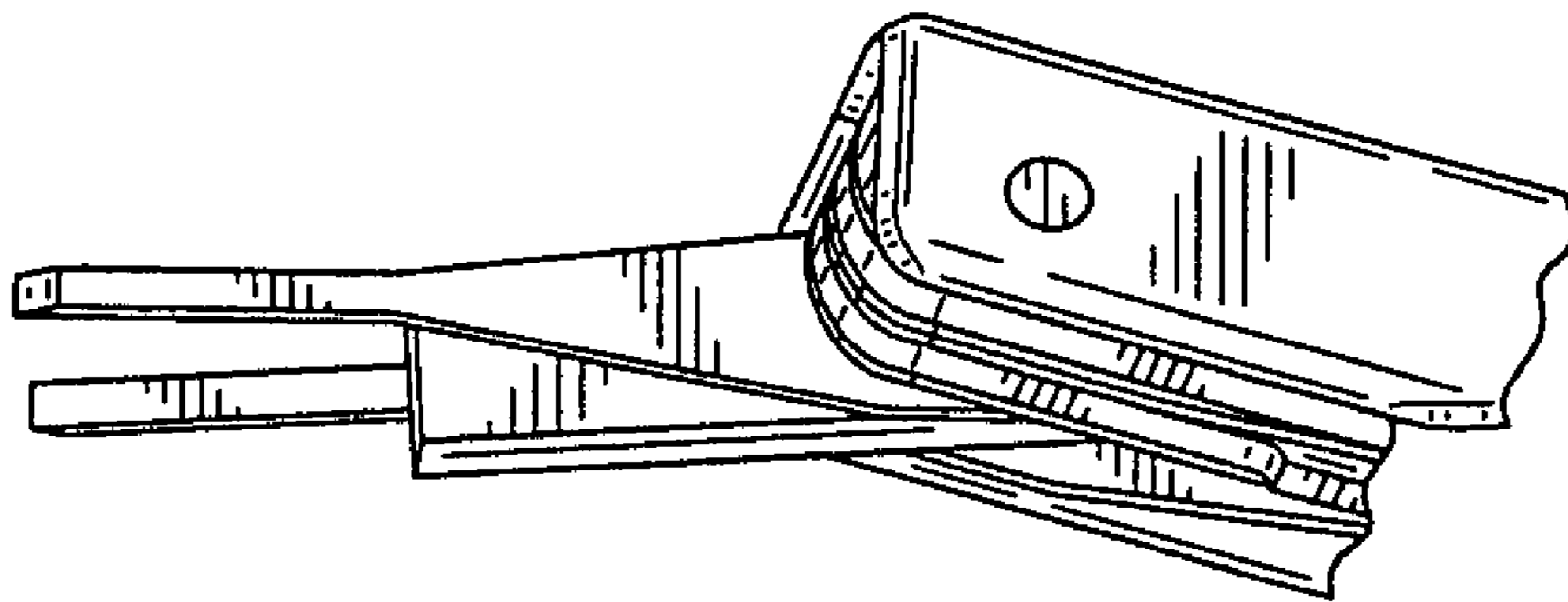


FIG. 9