



US00D575610S

(12) **United States Design Patent**
Holl et al.

(10) **Patent No.:** **US D575,610 S**

(45) **Date of Patent:** **** Aug. 26, 2008**

(54) **CHISEL HOLDER**

(75) Inventors: **Bernd Holl**, Neustadt/Wied (DE);
Thomas Lehnert, Oberraden (DE);
Günter Tewes, Unkel/Rhein (DE);
Günter Hähn, Königswinter (DE)

(73) Assignee: **Wirtgen GmbH**, Windhagen (DE)

(**) Term: **14 Years**

(21) Appl. No.: **29/265,790**

(22) Filed: **Sep. 8, 2006**

(30) **Foreign Application Priority Data**

Mar. 10, 2006 (EM) 000493143

(51) **LOC (8) Cl.** **08-05**

(52) **U.S. Cl.** **D8/71**

(58) **Field of Classification Search** D8/70-74,
D8/349, 354, 355, 373, 395, 14; D3/315;
D6/553; D15/130, 132, 135, 136, 138-141,
D15/144.1, 144.2; D19/78; 206/349, 372,
206/373; 211/70.1, 70.6; 220/696; 294/19.1,
294/27.1, 86.4; 299/104, 106; 16/429; 29/527.1,
29/527.5; 248/229.15

See application file for complete search history.

(56) **References Cited**

U.S. PATENT DOCUMENTS

3,397,012 A * 8/1968 Krekeler 299/104

(Continued)

OTHER PUBLICATIONS

Wirtgen Quick-change toolholder system HT3 Plus 1997-2004 and HT2 1992-1996, pp. 58-60 https://www.wirtgenamerica.com/pdf/ps_pdf/p_parts07_a.pdf.*

(Continued)

Primary Examiner—Gary D. Watson

Assistant Examiner—Karen Acker

(74) *Attorney, Agent, or Firm*—Jansson Shupe & Munger Ltd.

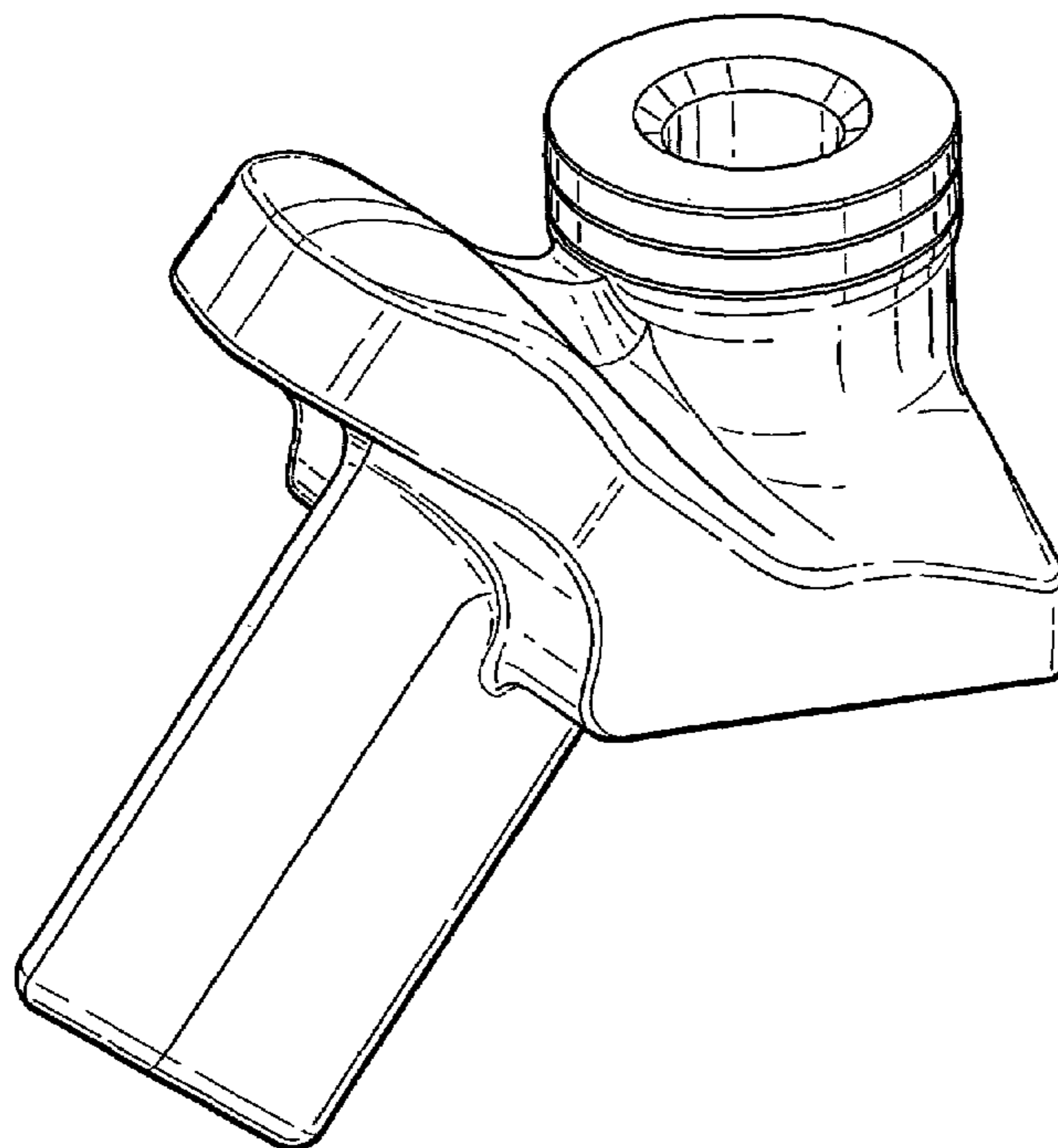
(57) **CLAIM**

The ornamental design for a chisel holder, as shown and described.

DESCRIPTION

FIG. 1 is a perspective view of the chisel holder;
FIG. 2 is a front elevation of the chisel holder of FIG. 1;
FIG. 3 is a left side elevation of the chisel holder of FIG. 1;
FIG. 4 is a right side elevation of the chisel holder of FIG. 1;
FIG. 5 is a top plan view of the chisel holder of FIG. 1;
FIG. 6 is a back elevation of the chisel holder;
FIG. 7 is a bottom plan view of the chisel holder;
FIG. 8 is a back elevation of a second embodiment of the chisel holder, the only difference being the inclusion of the notch, it being understood that all other surfaces are the same as those of the first embodiment; and,
FIG. 9 is a bottom plan view of the chisel holder of FIG. 8.

1 Claim, 9 Drawing Sheets



US D575,610 S

Page 2

U.S. PATENT DOCUMENTS

4,240,669	A *	12/1980	Rollins	299/102	D499,954	S *	12/2004	Brushaber	D8/355
4,489,986	A *	12/1984	Dziak	299/104	6,832,818	B2 *	12/2004	Luciano	299/39.8
4,542,943	A *	9/1985	Montgomery, Jr.	299/102	6,854,810	B2 *	2/2005	Montgomery, Jr.	299/106
4,828,327	A *	5/1989	Wechner	299/102	6,866,343	B2	3/2005	Holl et al.		
4,932,723	A *	6/1990	Mills	299/104	6,962,395	B2 *	11/2005	Mouthaan	299/104
5,011,229	A *	4/1991	O'Neill et al.	299/102	7,118,181	B2 *	10/2006	Frear	299/104
5,378,050	A *	1/1995	Kammerer et al.	299/102	7,192,095	B2 *	3/2007	Sansone et al.	299/106
D373,299	S *	9/1996	Hall et al.	D8/309	7,234,782	B2 *	6/2007	Stehney	299/104
5,683,144	A	11/1997	Kammerer et al.			7,278,692	B2 *	10/2007	Sollami	299/106
D430,272	S *	8/2000	Hung-Lin	D23/245	7,300,115	B2 *	11/2007	Holl et al.	299/106
6,244,665	B1 *	6/2001	Bise et al.	299/106	2002/0053827	A1 *	5/2002	Clapham et al.	299/102
6,357,832	B1 *	3/2002	Sollami	299/104	2003/0015907	A1 *	1/2003	Sollami	299/104
6,478,383	B1 *	11/2002	Ojanen et al.	299/104	2003/0137185	A1 *	7/2003	Sollami	299/106
6,481,803	B2 *	11/2002	Ritchey	299/79.1	2004/0004389	A1 *	1/2004	Latham	299/104
6,585,326	B2 *	7/2003	Sollami	299/104	2004/0119326	A1 *	6/2004	Risi	299/39.8
6,619,756	B1	9/2003	Holl et al.			2005/0127742	A1 *	6/2005	Erickson	299/106
6,619,757	B1	9/2003	Kammerer			2006/0261662	A1 *	11/2006	Sollami	299/104
6,644,755	B1	11/2003	Kammerer			2006/0279133	A1 *	12/2006	Erickson et al.	299/106
6,712,431	B1 *	3/2004	Bosch et al.	299/104						
6,764,140	B2 *	7/2004	Carson et al.	299/79.1						
6,779,850	B1 *	8/2004	Schibeci et al.	299/87.1						
6,786,557	B2 *	9/2004	Montgomery, Jr.	299/104						

OTHER PUBLICATIONS

U.S. Appl. No. 29/265,792, filed Sep. 8, 2006, Holl et al.
U.S. Appl. No. 29/265,791, filed Sep. 8, 2006, Holl et al.

* cited by examiner

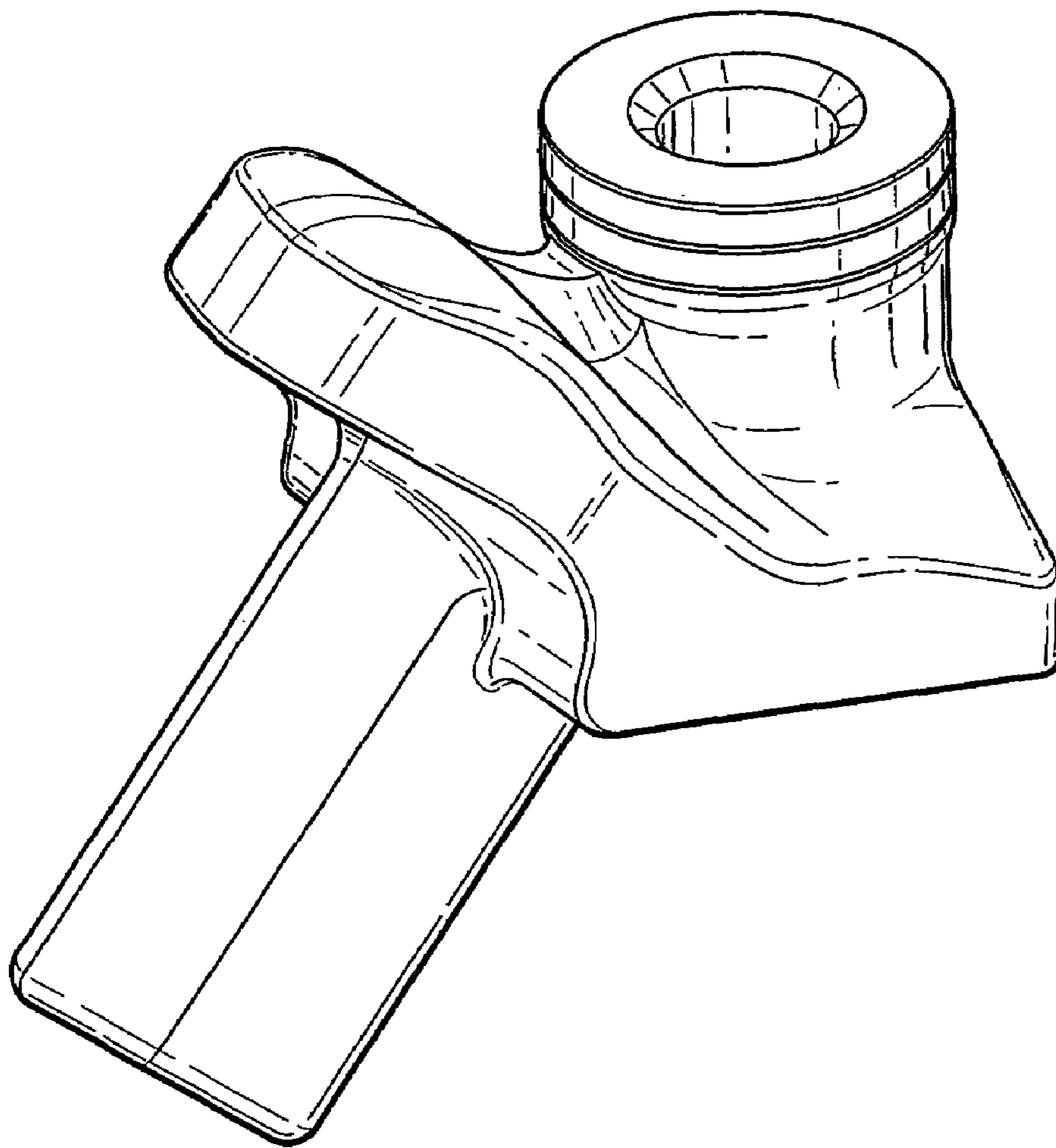


FIG. 1

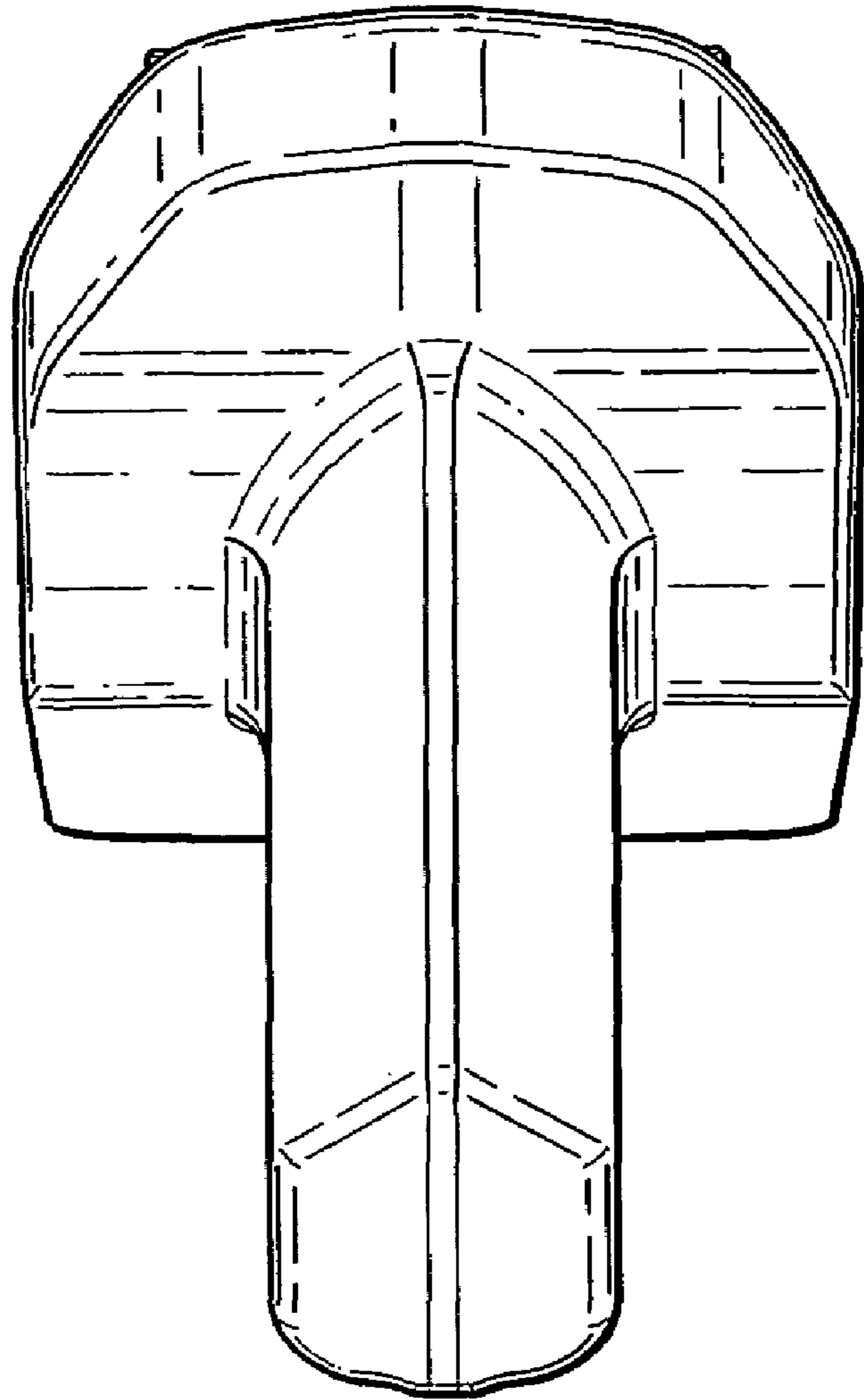


FIG. 2

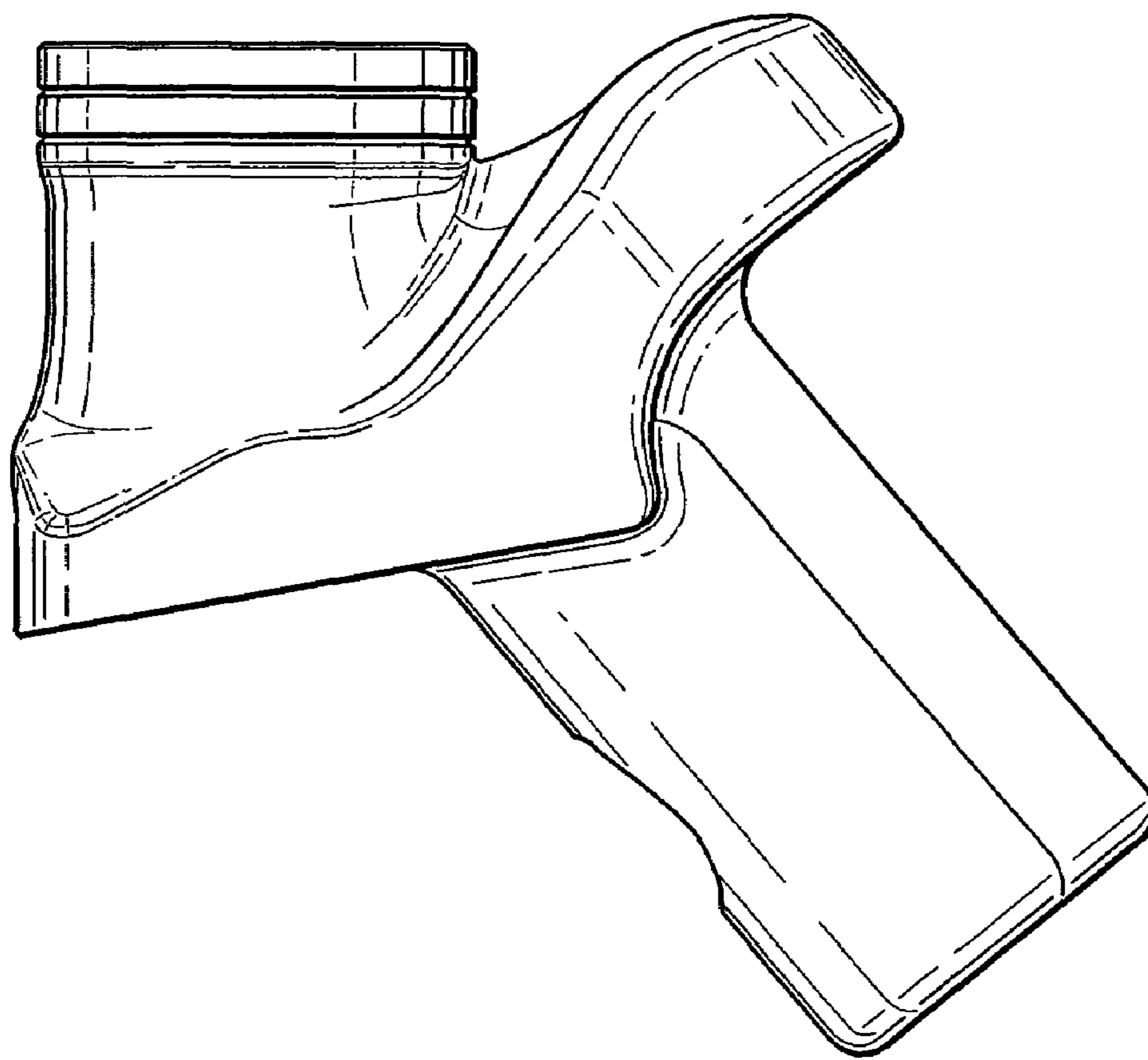


FIG. 3

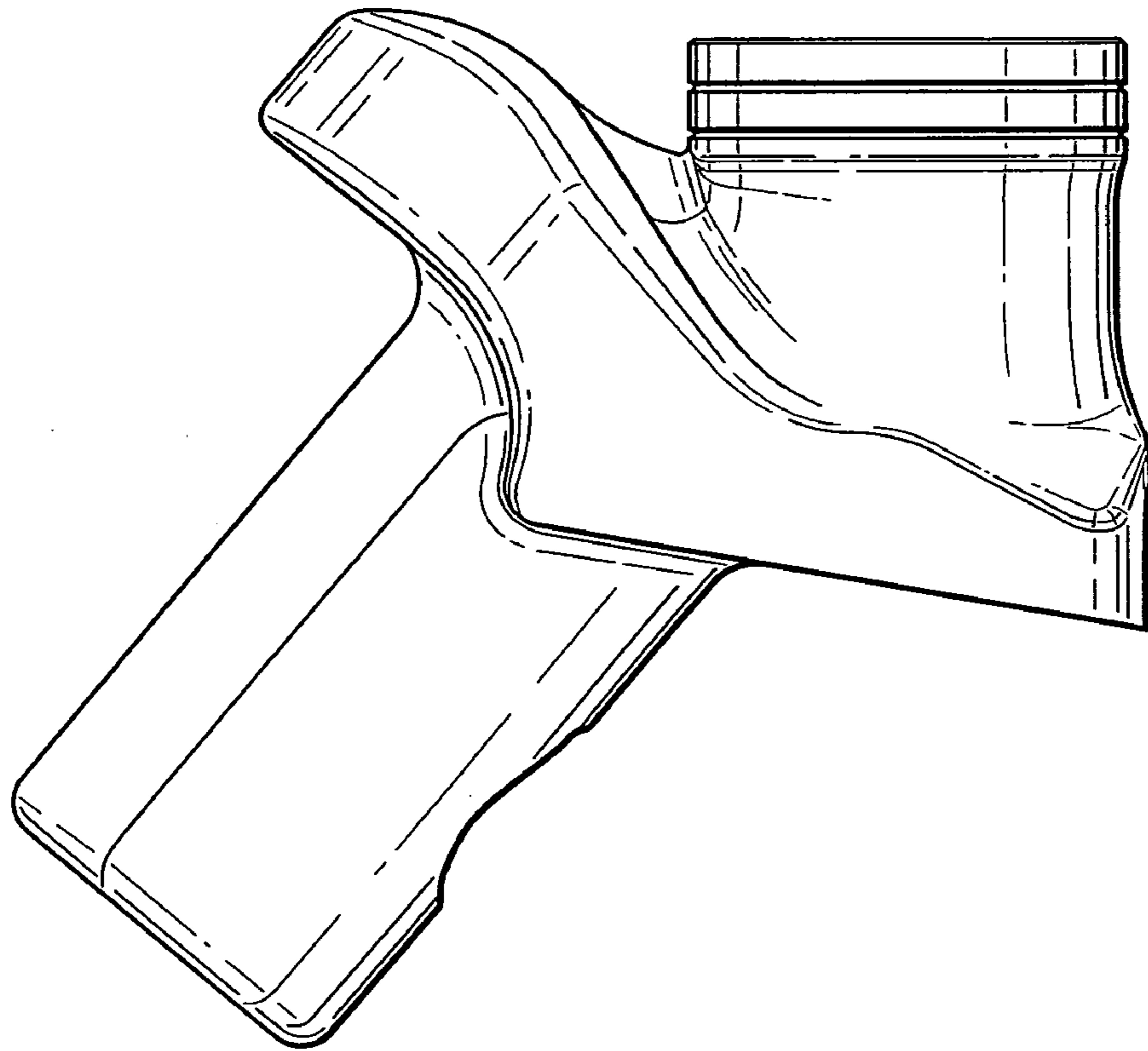


FIG. 4

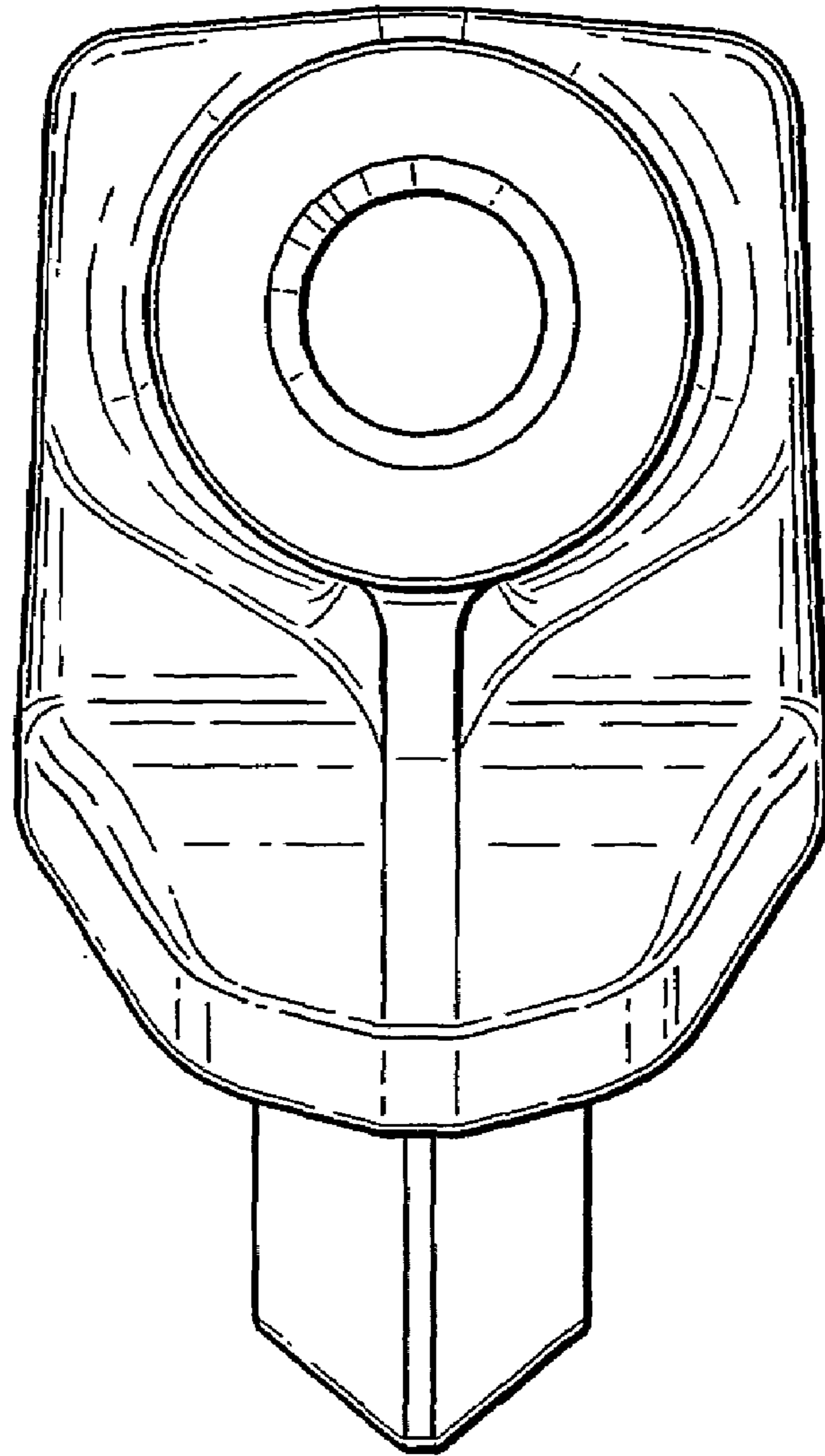


FIG. 5

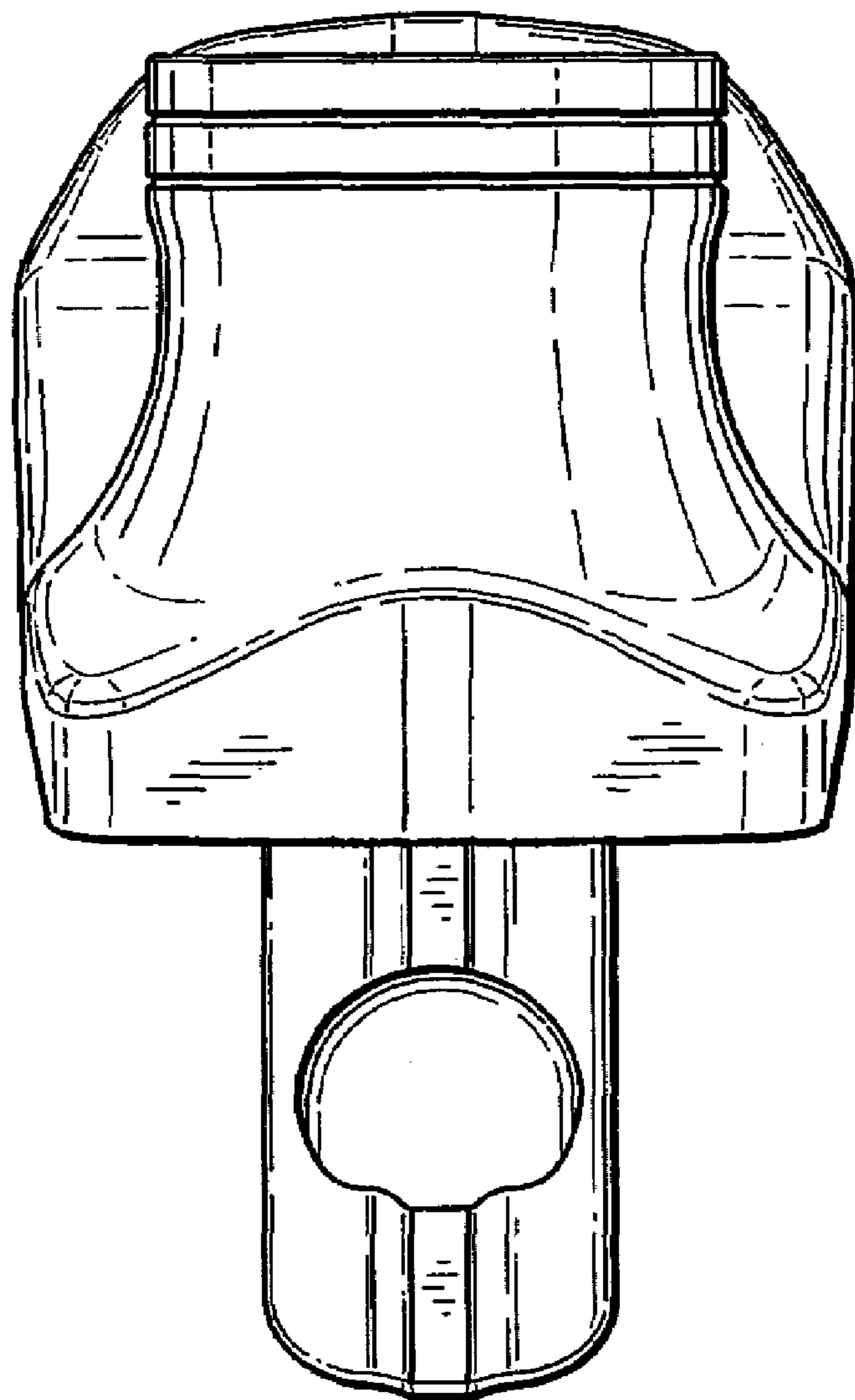


FIG. 6

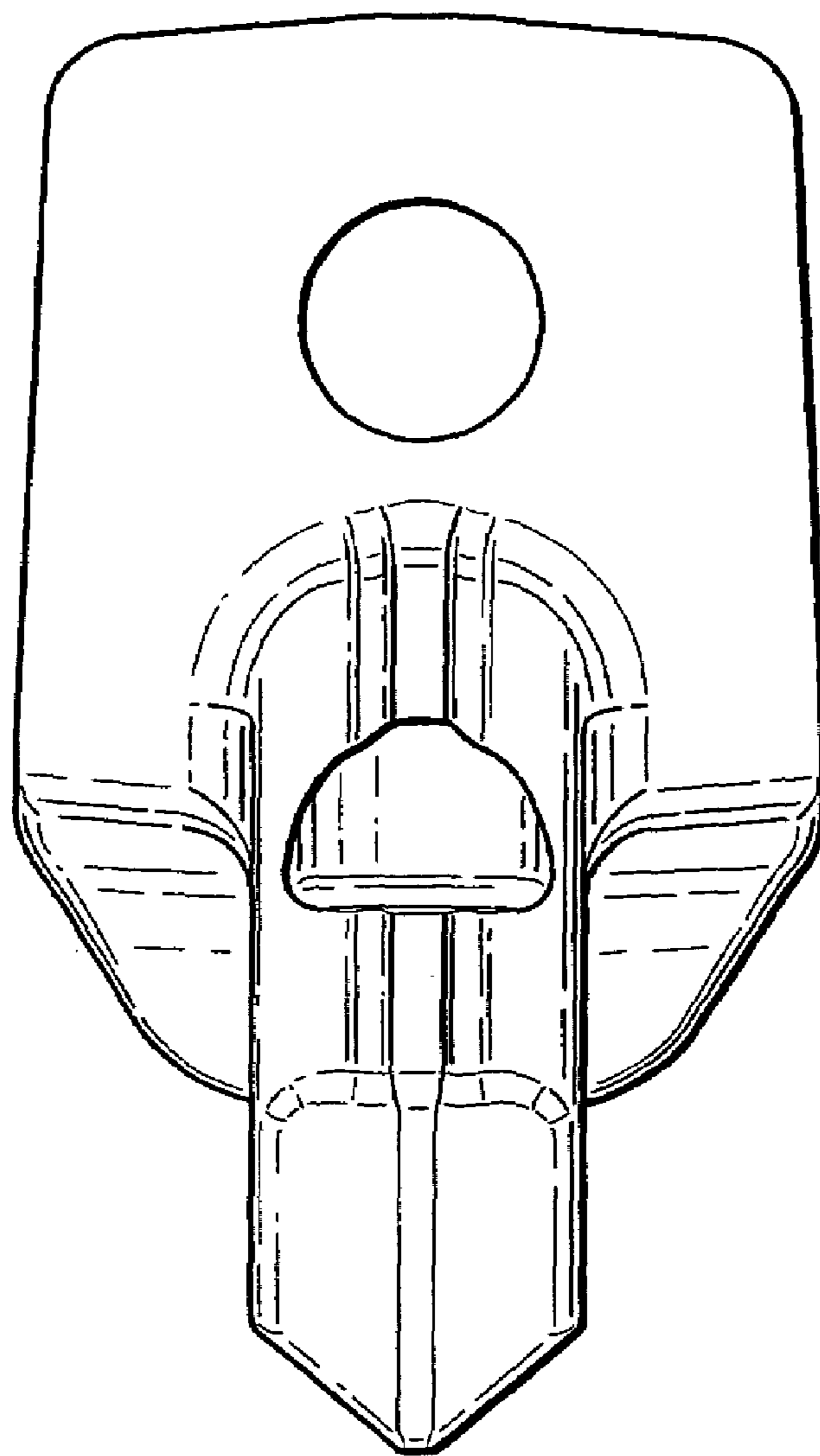


FIG. 7

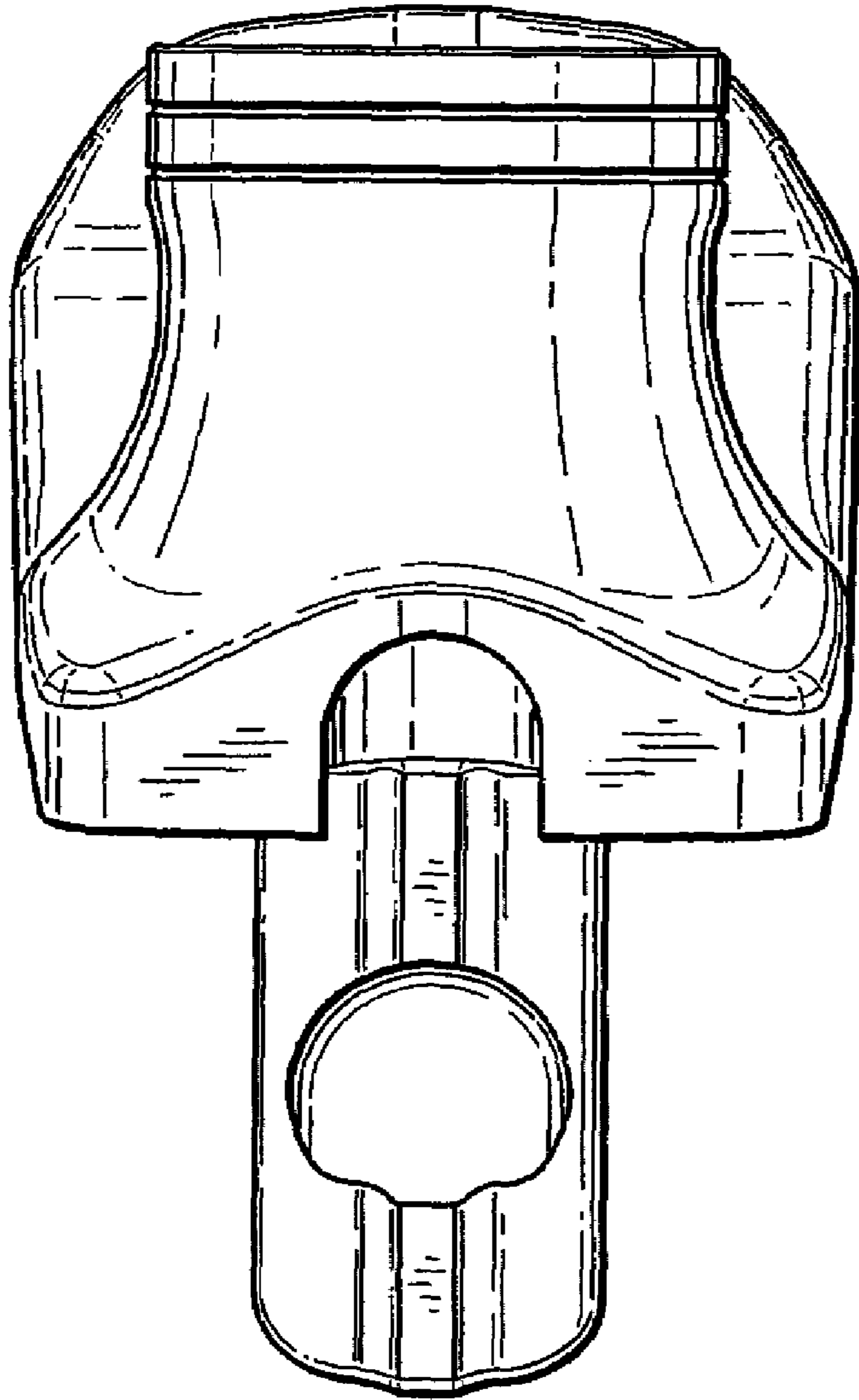


FIG. 8

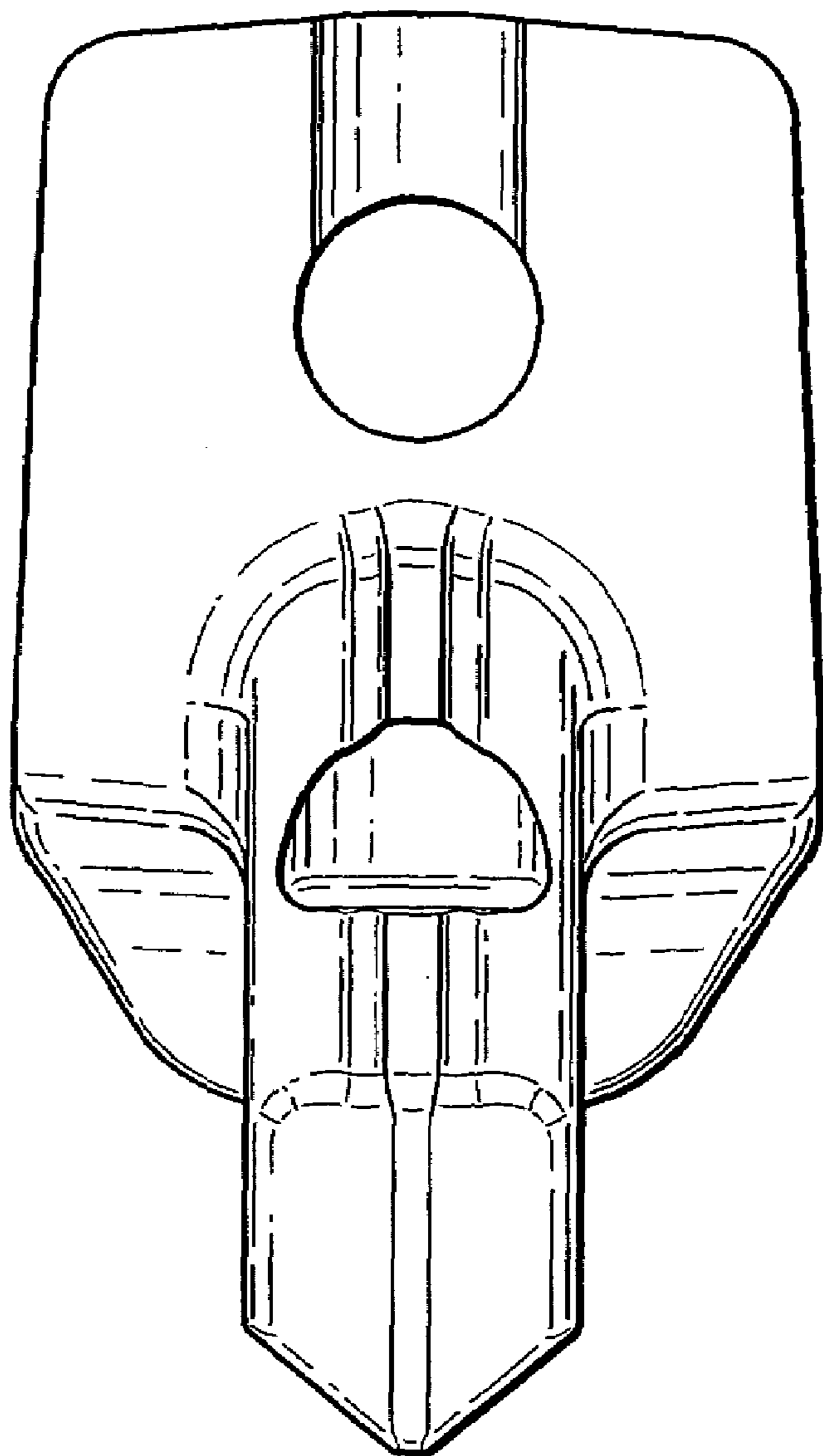


FIG. 9