

US00D575608S

(12) **United States Design Patent**
Buck

(10) **Patent No.:** **US D575,608 S**

(45) **Date of Patent:** **** Aug. 26, 2008**

(54) **FASTENING TOOL**

(75) Inventor: **John E. Buck**, Cockeysville, MD (US)

(73) Assignee: **Black & Decker Inc.**, Newark, DE (US)

(**) Term: **14 Years**

(21) Appl. No.: **29/288,421**

(22) Filed: **Jun. 11, 2007**

(51) **LOC (8) Cl.** **08-05**

(52) **U.S. Cl.** **D8/69**

(58) **Field of Classification Search** D8/14.1,
D8/61, 62, 63, 64, 65, 66, 67, 68, 69, 70;
81/57.11, 429, 454, 455, 456, 469, 489; 173/13,
173/104, 114, 168, 169, 170, 171, 178, 201,
173/211, 213, 217; 408/20, 124, 125, 234,
408/241 R; 451/358; 310/50; 227/8, 113,
227/114, 120, 130, 136, 142

See application file for complete search history.

(56) **References Cited**

U.S. PATENT DOCUMENTS

D338,818 S *	8/1993	Katsuba	D8/62
D459,185 S *	6/2002	Buck	D8/69
D477,513 S *	7/2003	Bor	D8/68
D477,759 S *	7/2003	Buck	D8/68
D477,762 S *	7/2003	Bor	D8/68
D478,490 S *	8/2003	Wu	D8/68
D499,321 S *	12/2004	Buck et al.	D8/68

6,896,165 B1 *	5/2005	Wang	227/120
D512,622 S *	12/2005	Thomas	D8/69
D517,886 S *	3/2006	Thomas et al.	D8/69
D549,062 S *	8/2007	Buck	D8/69
D553,931 S *	10/2007	Buck	D8/68
D556,003 S *	11/2007	Buck	D8/69
D562,664 S *	2/2008	Buck	D8/69
2006/0213947 A1 *	9/2006	Bo-Seob et al.	227/130
2007/0152013 A1 *	7/2007	Wang et al.	227/130
2008/0023518 A1 *	1/2008	Wojcicki	227/130

* cited by examiner

Primary Examiner—T. Chase Nelson

(74) *Attorney, Agent, or Firm*—Scott B. Markow; Adan Ayala

(57) **CLAIM**

The ornamental design for a fastening tool, as shown and described.

DESCRIPTION

FIG. 1 is a top/left perspective view of the fastening tool.

FIG. 2 is a front view thereof.

FIG. 3 is a back view thereof.

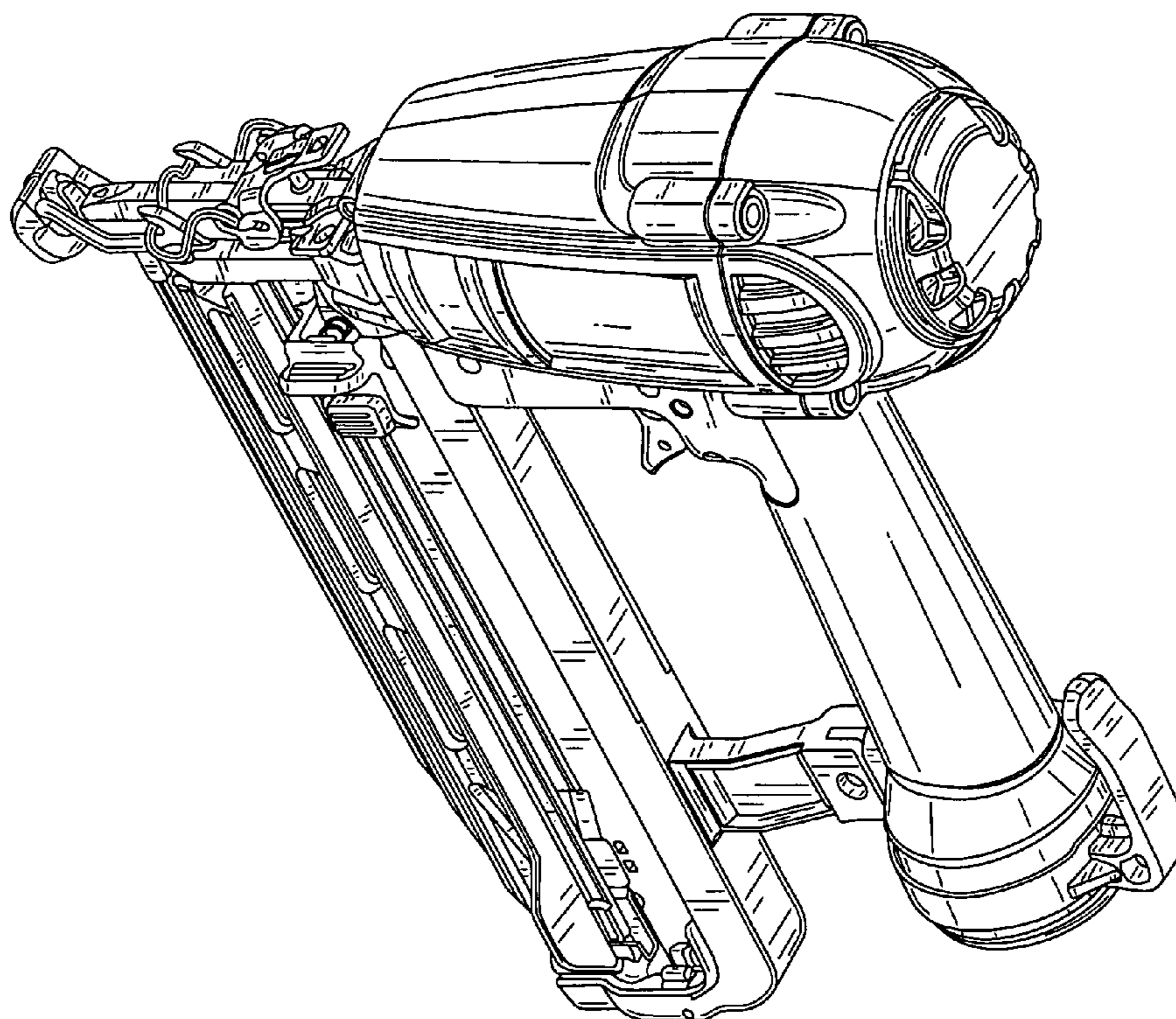
FIG. 4 is a right view thereof.

FIG. 5 is a left view thereof.

FIG. 6 is a top view thereof; and,

FIG. 7 is a bottom view thereof.

1 Claim, 7 Drawing Sheets



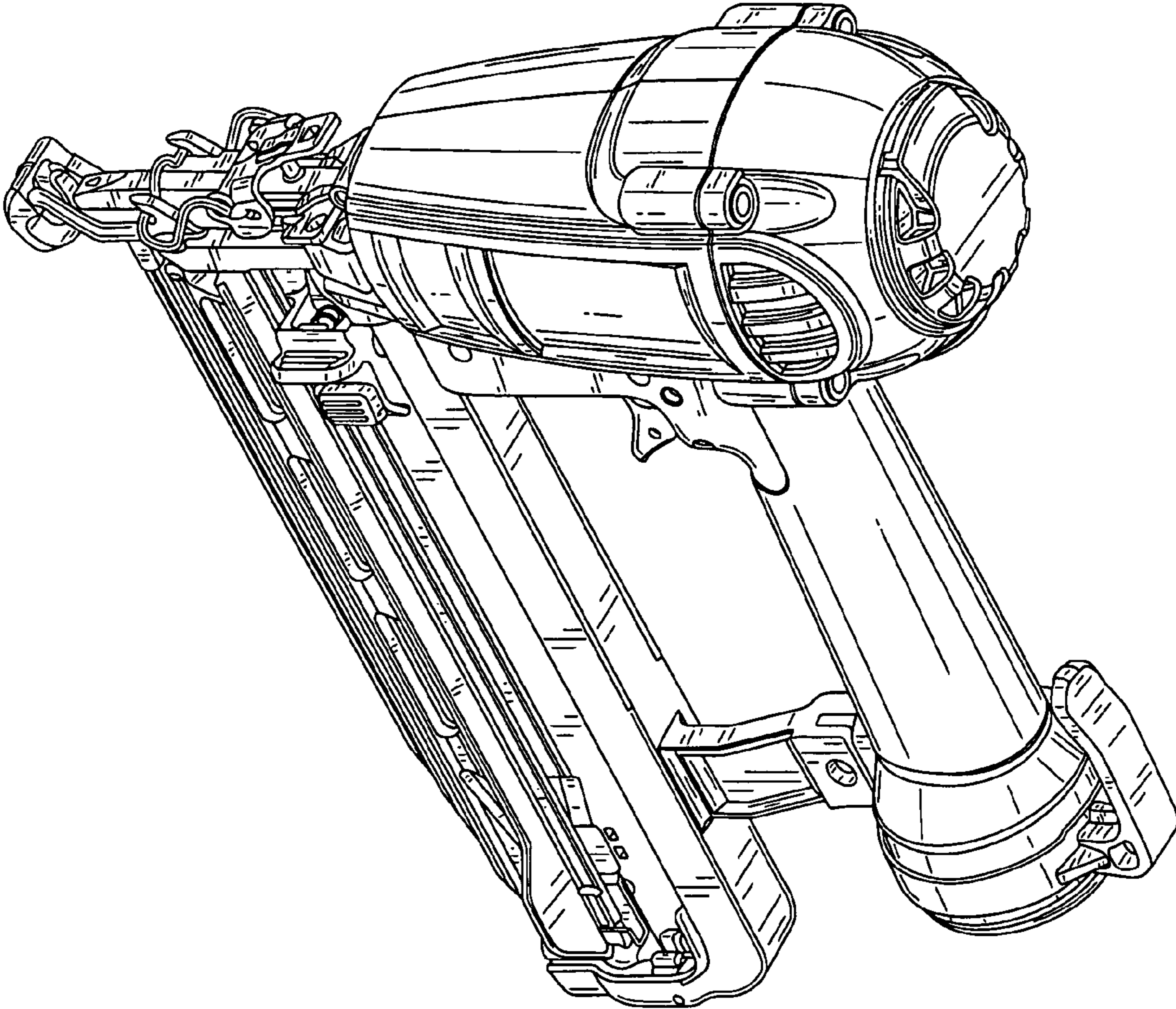


FIG. 1

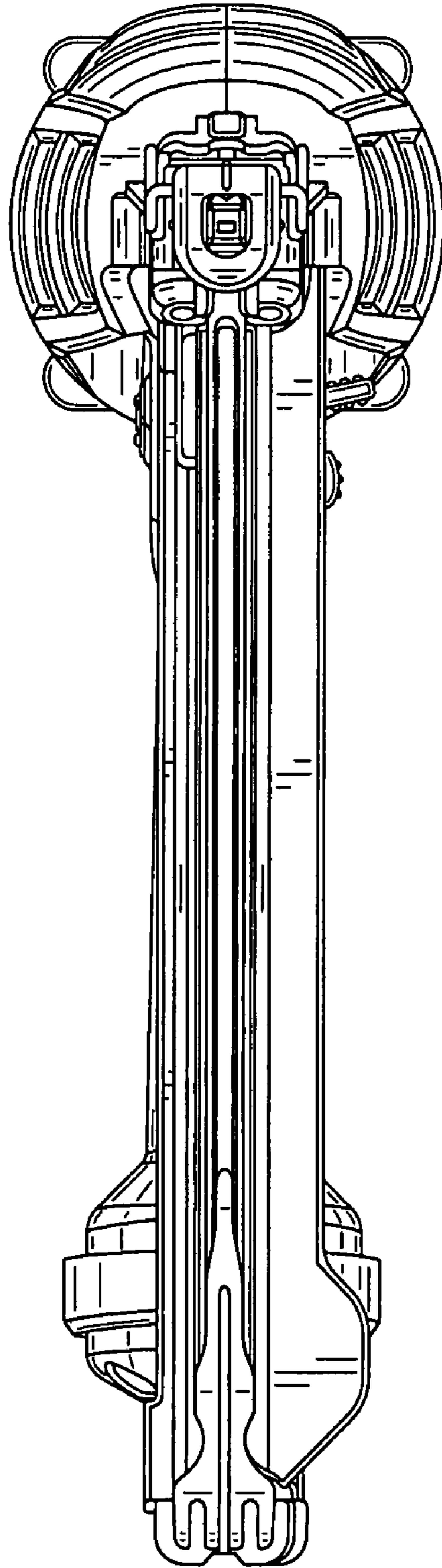


FIG. 2

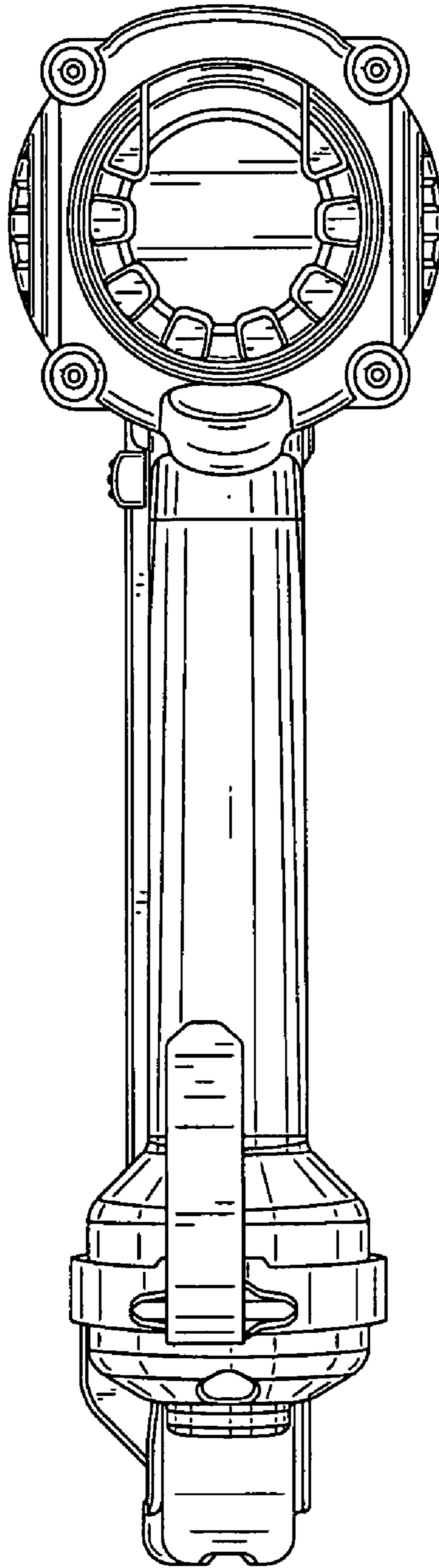


FIG. 3

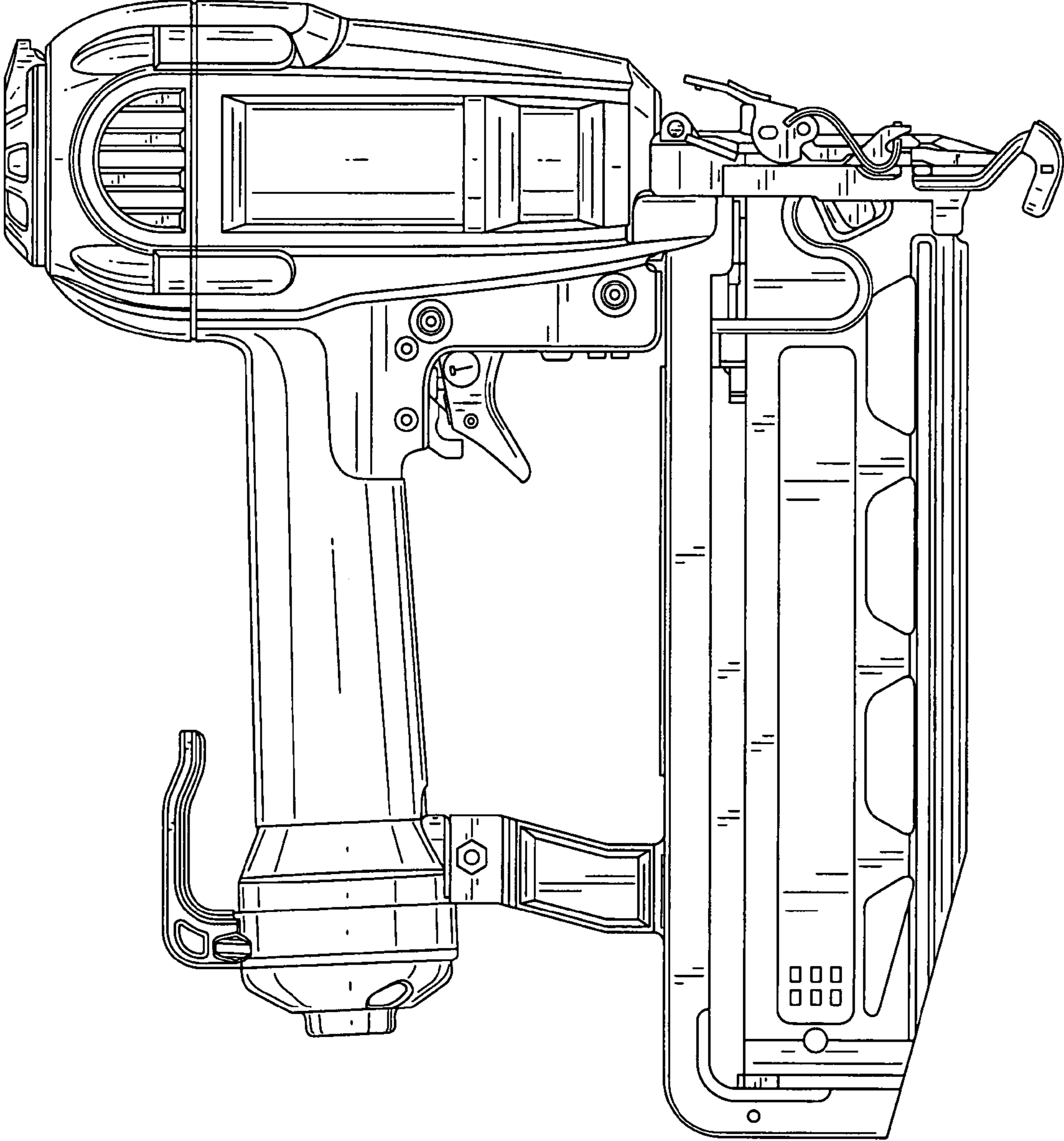


FIG. 4

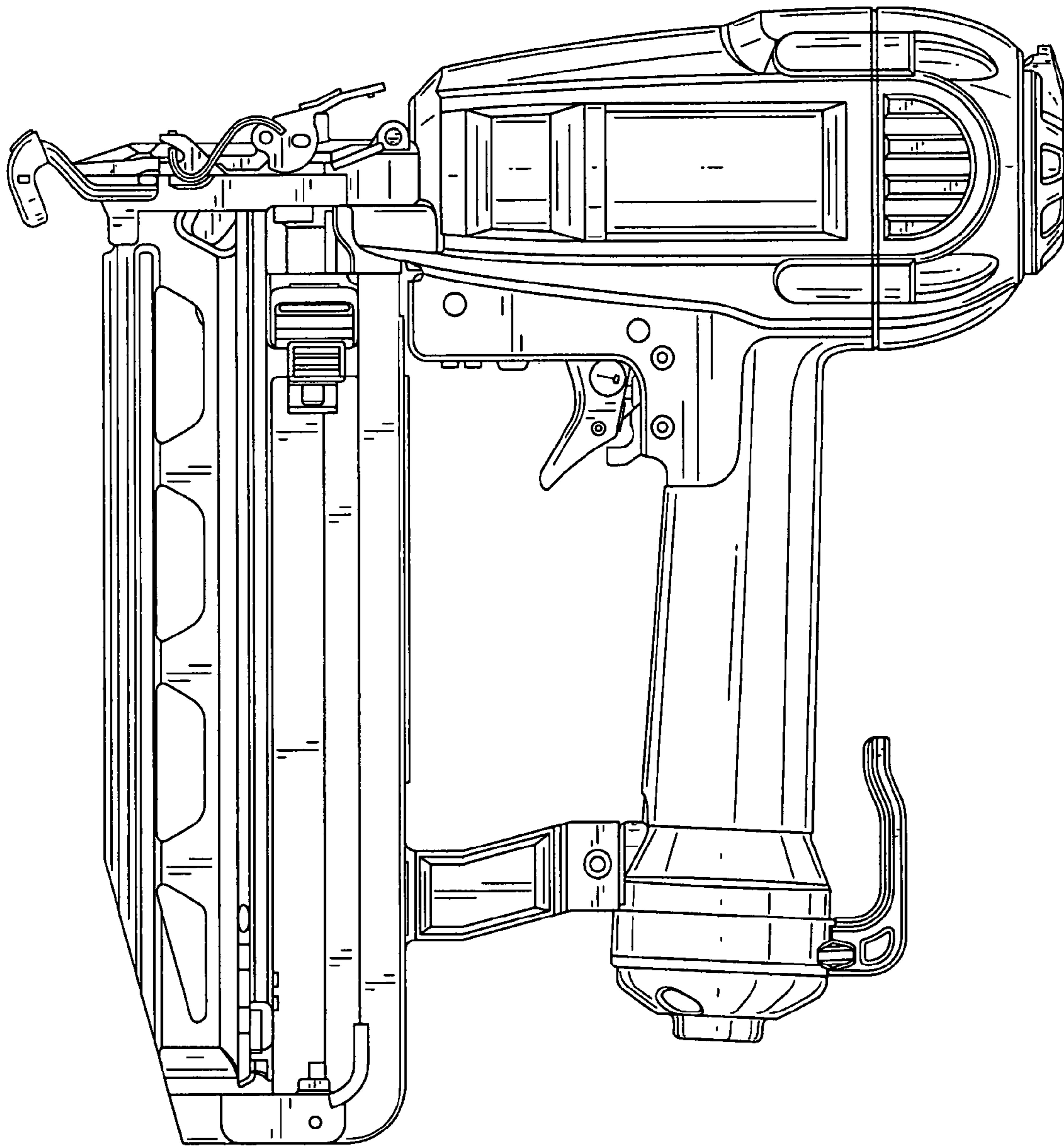


FIG. 5

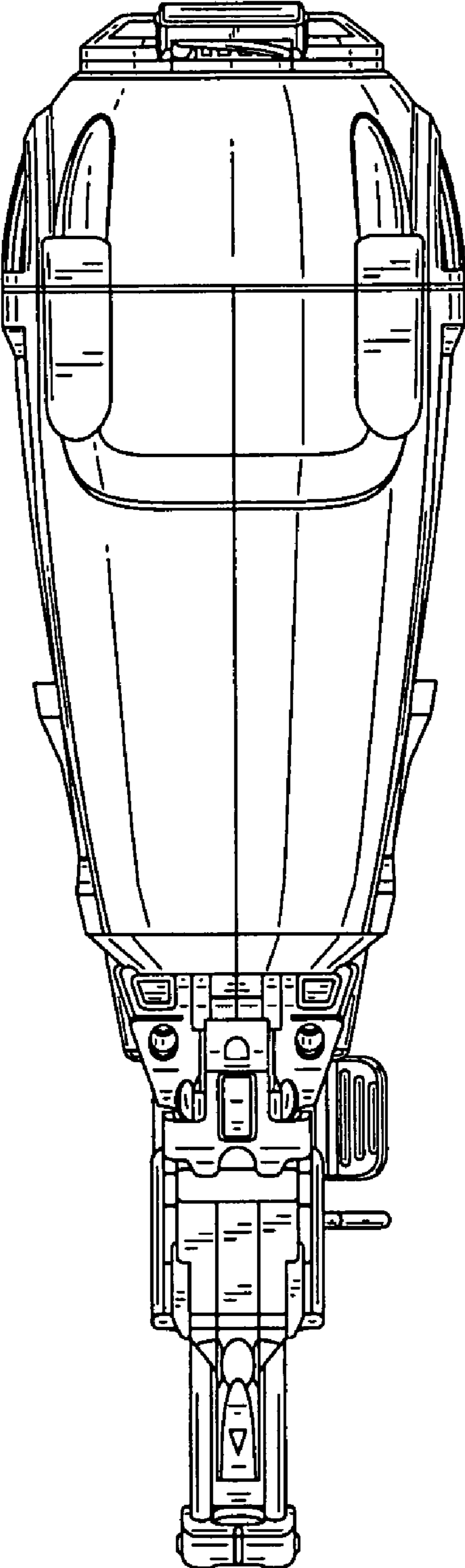


FIG. 6

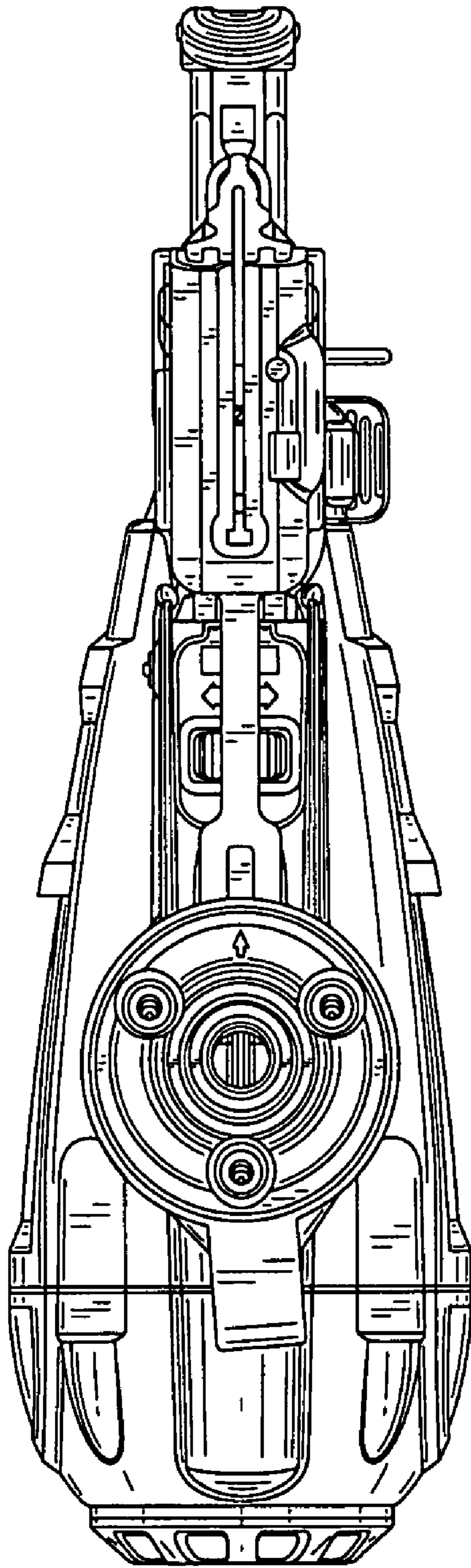


FIG. 7