

US00D575606S

(12) **United States Design Patent**
Okouchi et al.

(10) **Patent No.:** **US D575,606 S**

(45) **Date of Patent:** **** Aug. 26, 2008**

(54) **PORTABLE ELECTRIC HAMMER DRILL**

(75) Inventors: **Katsumi Okouchi**, Anjo (JP); **Shinsuke Okuda**, Anjo (JP)

(73) Assignee: **Makita Corporation**, Anjo (JP)

(**) Term: **14 Years**

(21) Appl. No.: **29/287,008**

(22) Filed: **Jun. 18, 2007**

(30) **Foreign Application Priority Data**

Jan. 10, 2007 (JP) 2007-00144

(51) **LOC (8) Cl.** **08-01**

(52) **U.S. Cl.** **D8/69**

(58) **Field of Classification Search** D8/14.1,
D8/61, 62, 63, 64, 65, 66, 67, 68, 69, 70;
81/57.11, 429, 454, 455, 456, 469, 489; 173/13,
173/104, 114, 168, 169, 170, 171, 178, 201,
173/211, 213, 217; 408/20, 124, 125, 234,
408/241 R; 451/358; 310/50; 227/8, 113,
227/114, 120, 130, 136, 142

See application file for complete search history.

(56) **References Cited**

U.S. PATENT DOCUMENTS

D361,252 S * 8/1995 De Neergaard et al. D8/69
D386,379 S * 11/1997 Kasuya D8/69
D395,586 S * 6/1998 Arakawa et al. D8/69
D466,780 S * 12/2002 Stirm D8/69

D525,849 S * 8/2006 Hayakawa et al. D8/69
D526,179 S 8/2006 Hayakawa et al.
D540,642 S * 4/2007 Stirm D8/69
D555,451 S * 11/2007 Okuda et al. D8/69
7,322,427 B2 * 1/2008 Shimma et al. 173/170
D563,749 S * 3/2008 Okuda et al. D8/69
2005/0087352 A1 * 4/2005 Fohr 173/114
2008/0029282 A1 * 2/2008 Ikuta 173/114

FOREIGN PATENT DOCUMENTS

JP S 1238857 5/2005

* cited by examiner

Primary Examiner—T. Chase Nelson

(74) *Attorney, Agent, or Firm*—Oliff & Berridge, PLC

(57) **CLAIM**

The ornamental design for a portable electric hammer drill, as shown and described.

DESCRIPTION

FIG. 1 is a perspective view of a portable electric hammer drill showing our new design;

FIG. 2 is a front elevation view thereof;

FIG. 3 is a rear elevation view thereof;

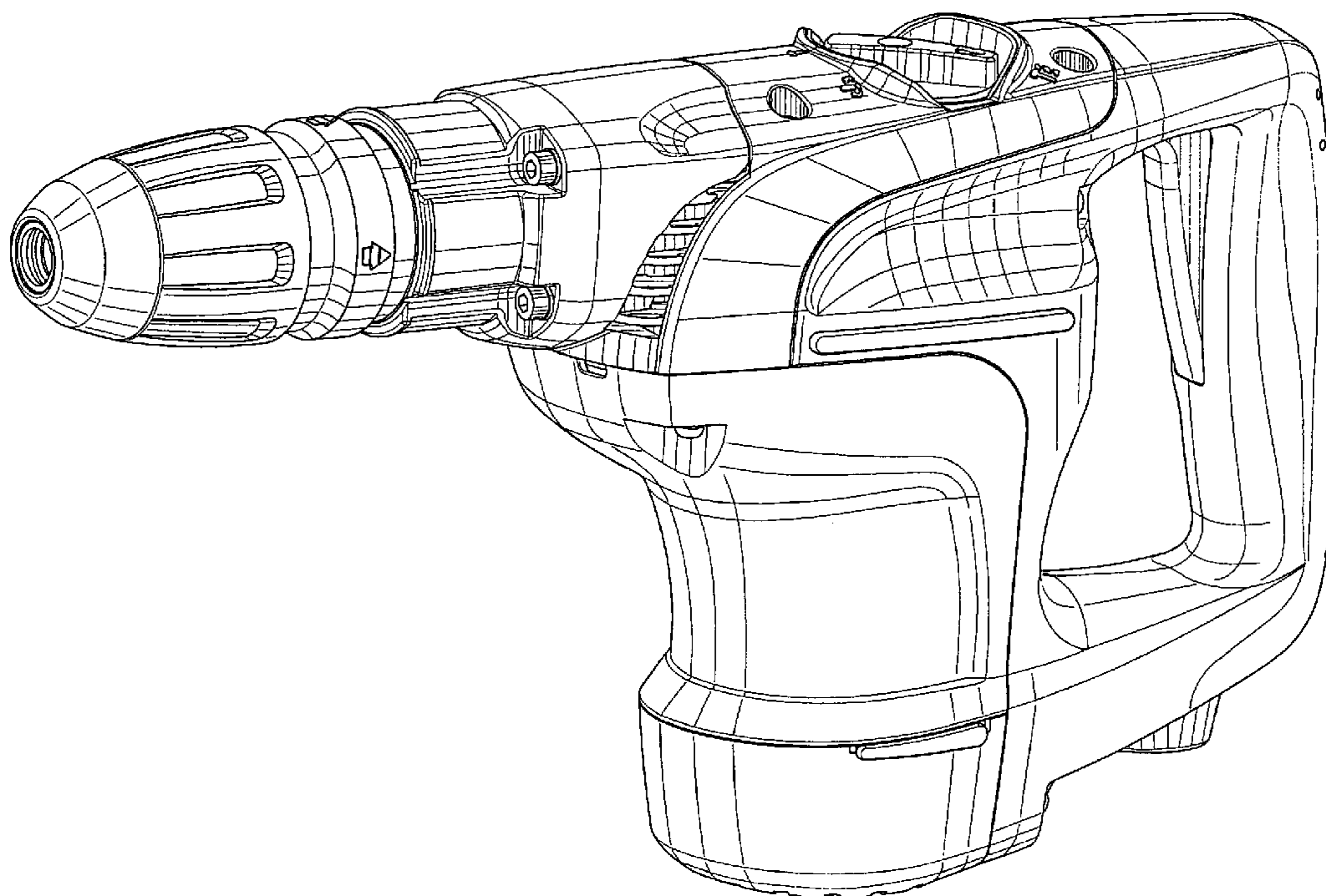
FIG. 4 is a left side elevation view thereof;

FIG. 5 is a right side elevation view thereof;

FIG. 6 is a top plan view thereof; and,

FIG. 7 is a bottom plan view thereof.

1 Claim, 5 Drawing Sheets



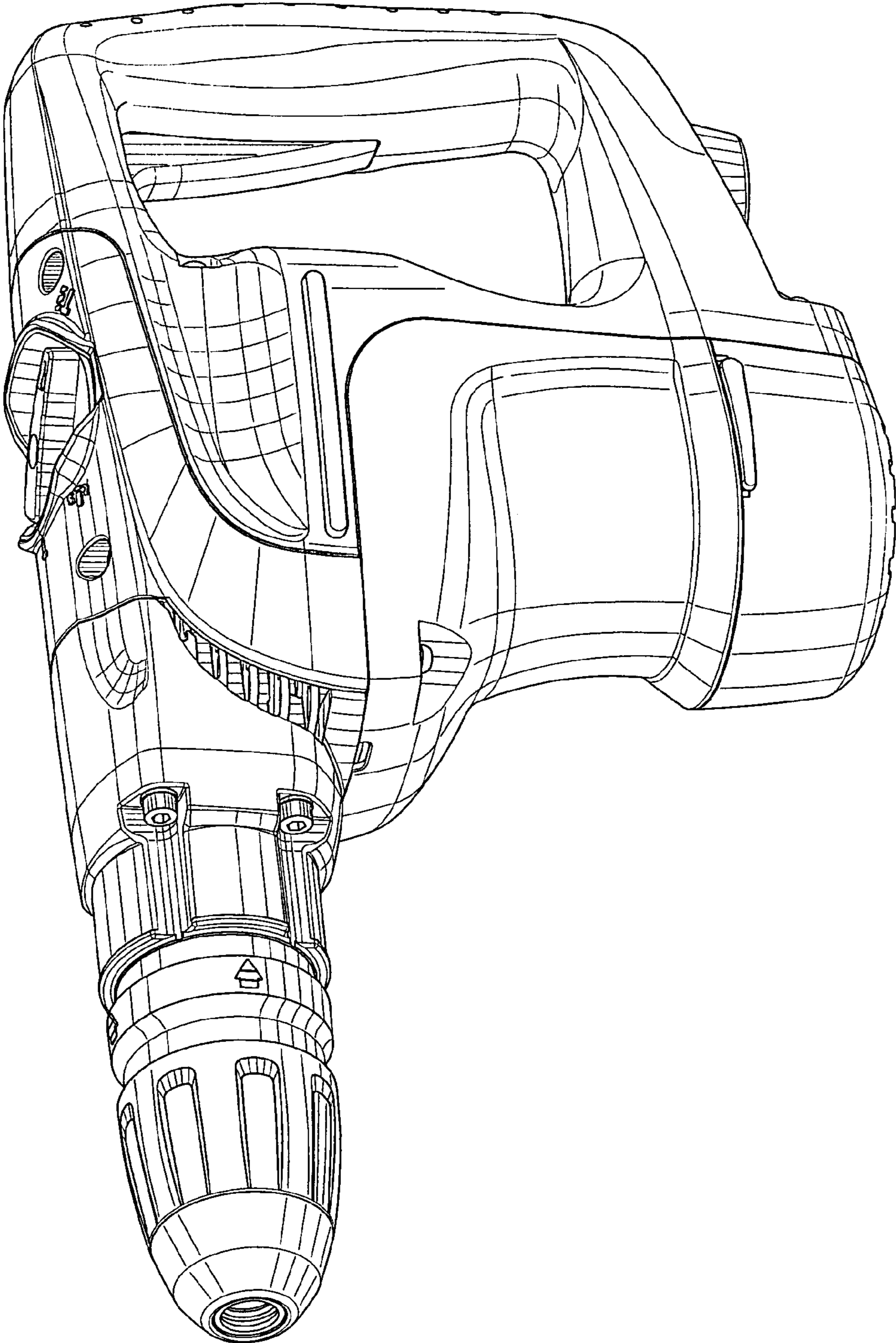


FIG. 1

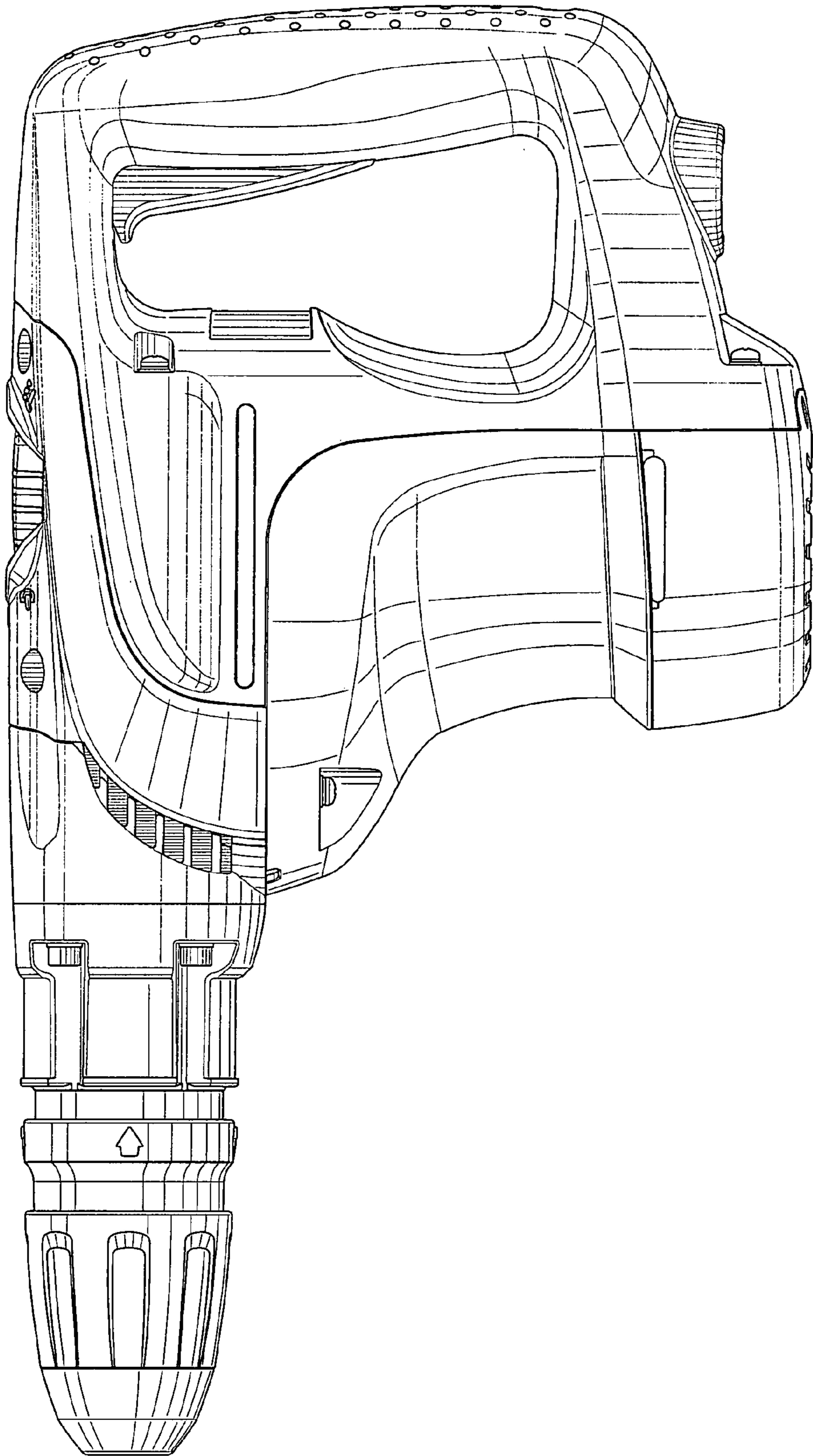


FIG. 2

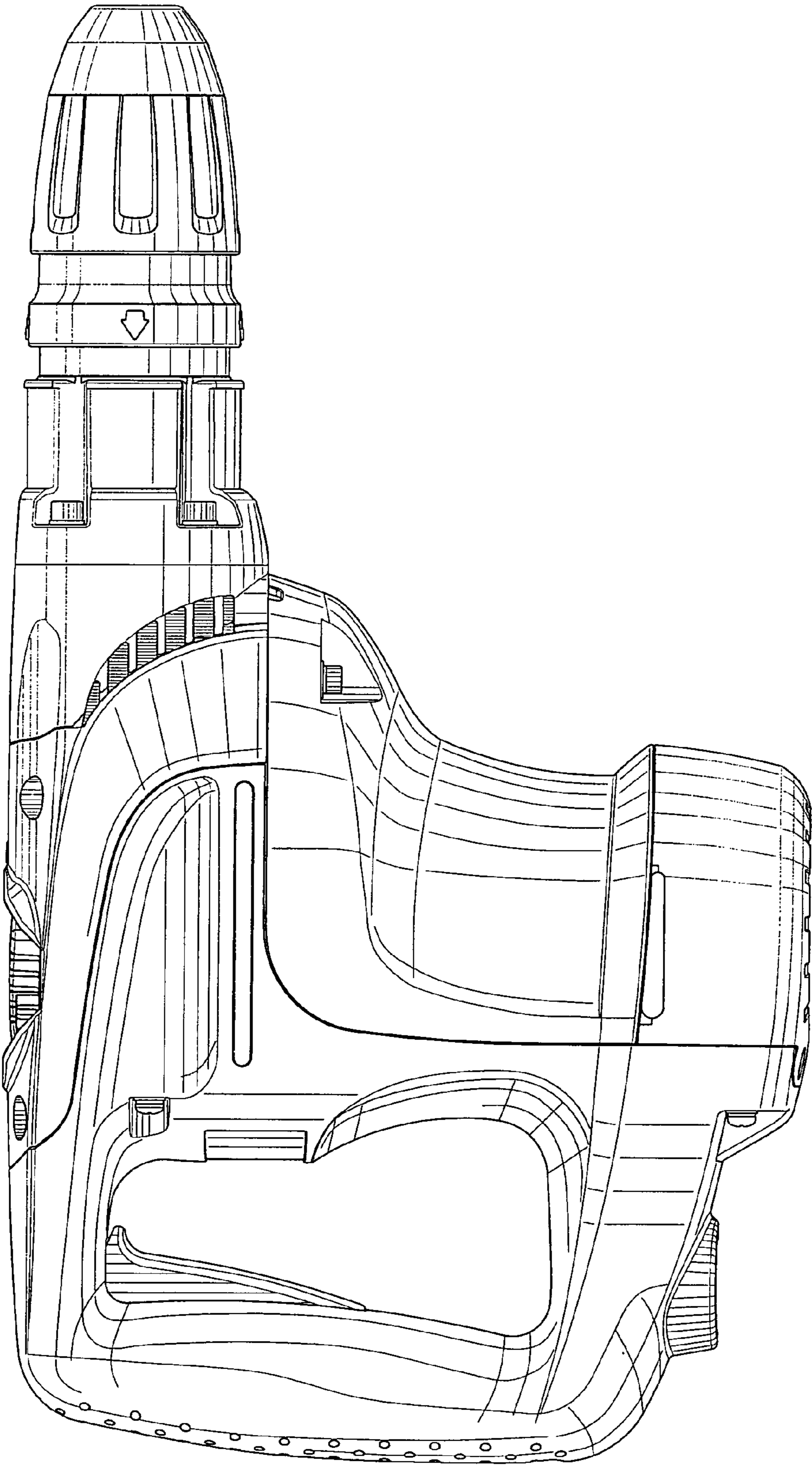


FIG. 3

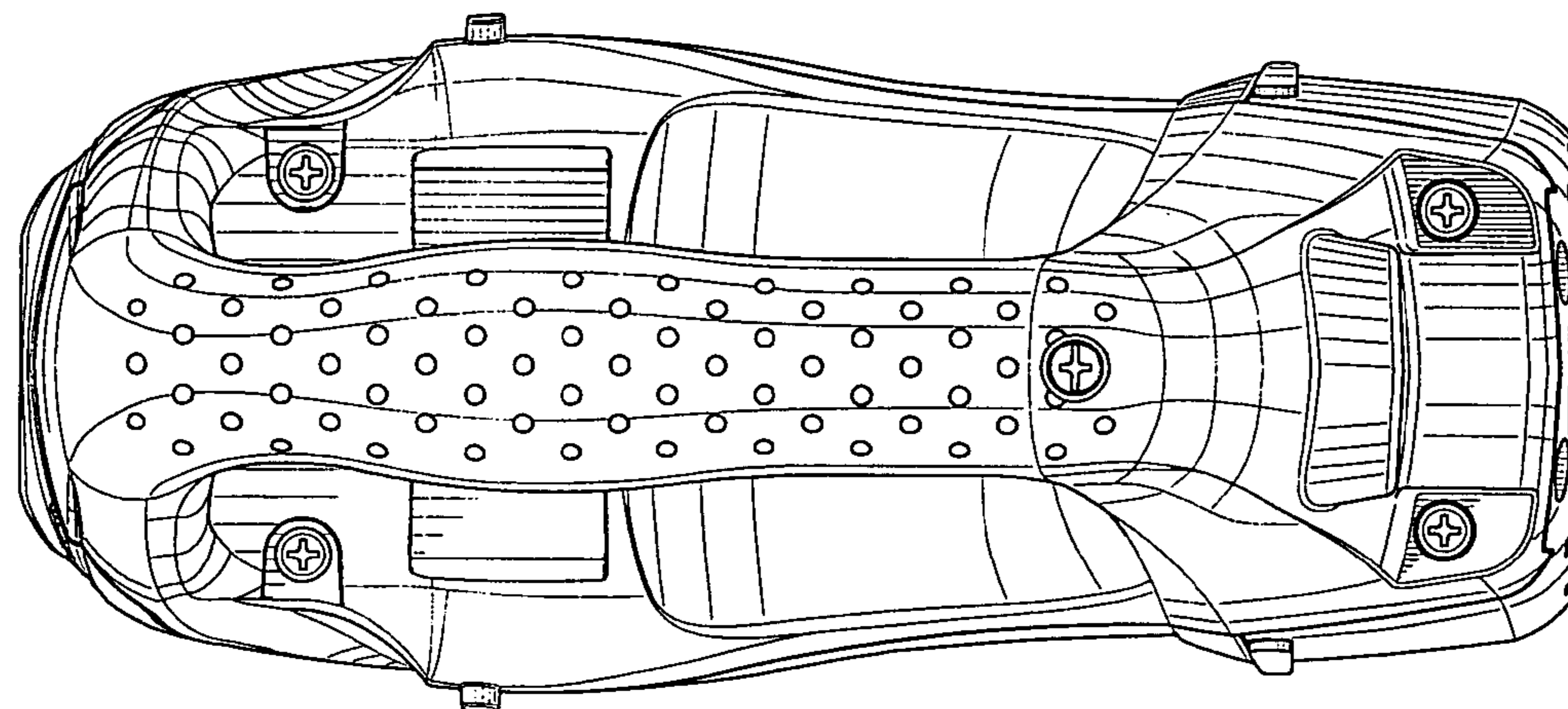


FIG. 4

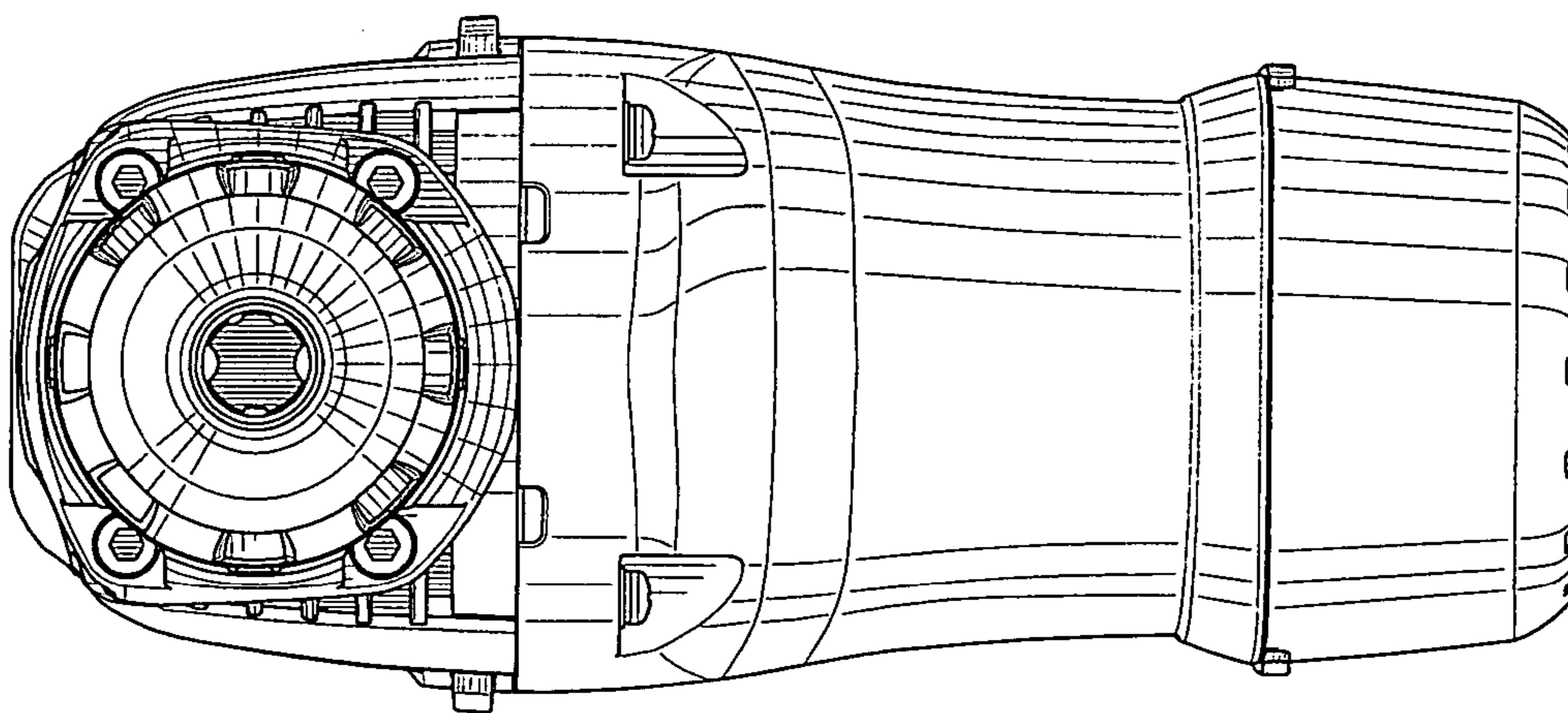


FIG. 5

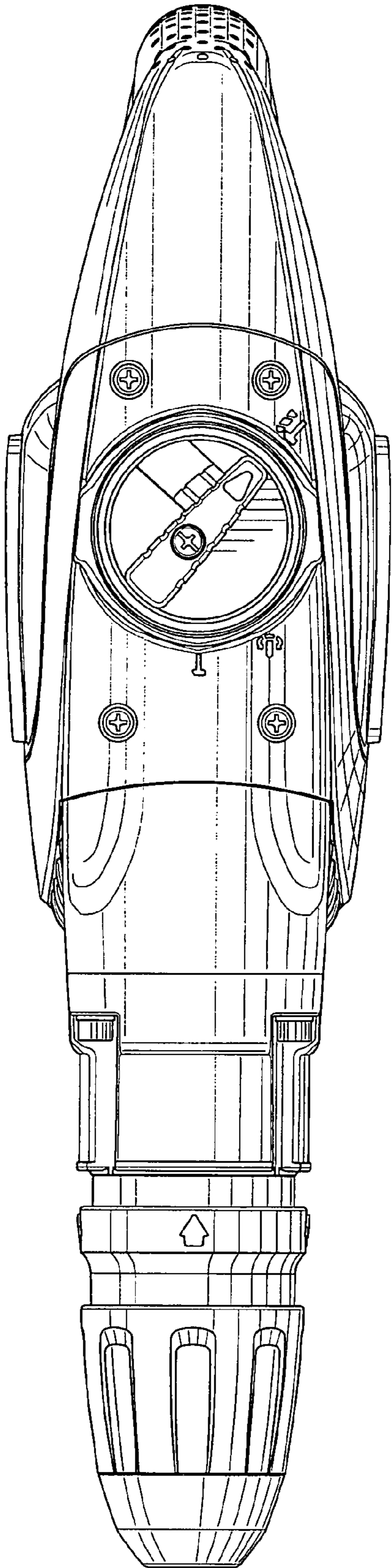


FIG. 6

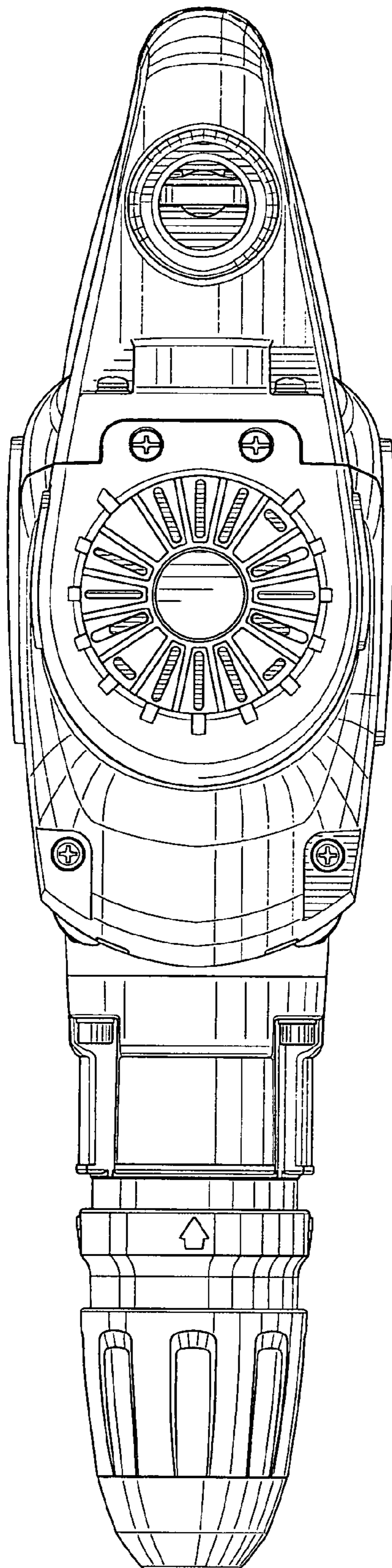


FIG. 7