



US00D575605S

(12) **United States Design Patent**  
**Yamamoto et al.**

(10) **Patent No.:** **US D575,605 S**

(45) **Date of Patent:** **\*\* Aug. 26, 2008**

(54) **PORTABLE ELECTRIC CHAIN SAW**

(75) Inventors: **Yuji Yamamoto, Anjo (JP); Ryosuke Ito, Anjo (JP)**

(73) Assignee: **Makita Corporation, Anjo (JP)**

(\*\*) Term: **14 Years**

(21) Appl. No.: **29/293,990**

(22) Filed: **Dec. 20, 2007**

(30) **Foreign Application Priority Data**

Jan. 31, 2007 (JP) ..... 2007-022336

(51) **LOC (8) Cl.** ..... **08-03**

(52) **U.S. Cl.** ..... **D8/65**

(58) **Field of Classification Search** ..... D8/7,  
D8/8, 9, 68, 70, 65, 66, 67, 62, 63, 64, 61;  
30/386, 383, 382, 371, 123; 125/21; 123/1 R  
See application file for complete search history.

(56) **References Cited**

**U.S. PATENT DOCUMENTS**

4,365,416 A \* 12/1982 Overbury ..... 30/382  
D272,310 S \* 1/1984 Dynie et al. .... D8/65  
D273,456 S \* 4/1984 McDougall et al. .... D8/65  
5,184,403 A \* 2/1993 Schliemann ..... 30/123.4

D365,262 S \* 12/1995 Beaulieu et al. .... D8/65  
5,685,080 A \* 11/1997 Amano et al. .... 30/383  
D389,026 S 1/1998 Amano et al.  
D445,657 S \* 7/2001 Jong ..... D8/65  
D481,601 S \* 11/2003 Ashfield ..... D8/65

\* cited by examiner

*Primary Examiner*—Cathron Brooks

*Assistant Examiner*—Austin Murphy

(74) *Attorney, Agent, or Firm*—Oliff & Berridge, PLC

(57) **CLAIM**

The ornamental design for a portable electric chain saw, as shown and described.

**DESCRIPTION**

FIG. 1 is a perspective view of top, front and right side of a portable electric chain saw showing our new design;

FIG. 2 is a front view thereof;

FIG. 3 is a rear view thereof;

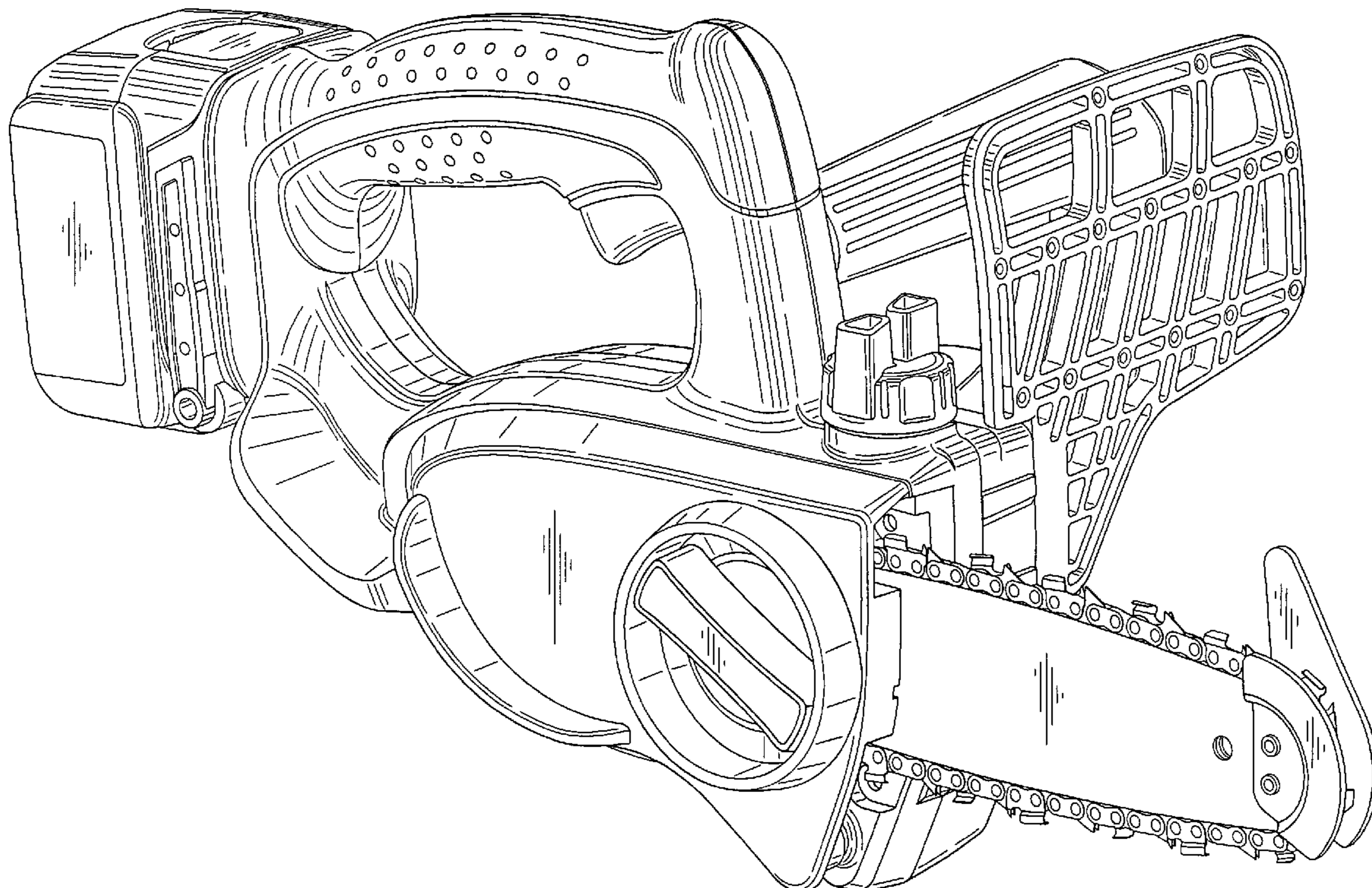
FIG. 4 is a top plan view thereof;

FIG. 5 is a bottom view thereof;

FIG. 6 is a right side view thereof; and,

FIG. 7 is a left side view thereof.

**1 Claim, 7 Drawing Sheets**



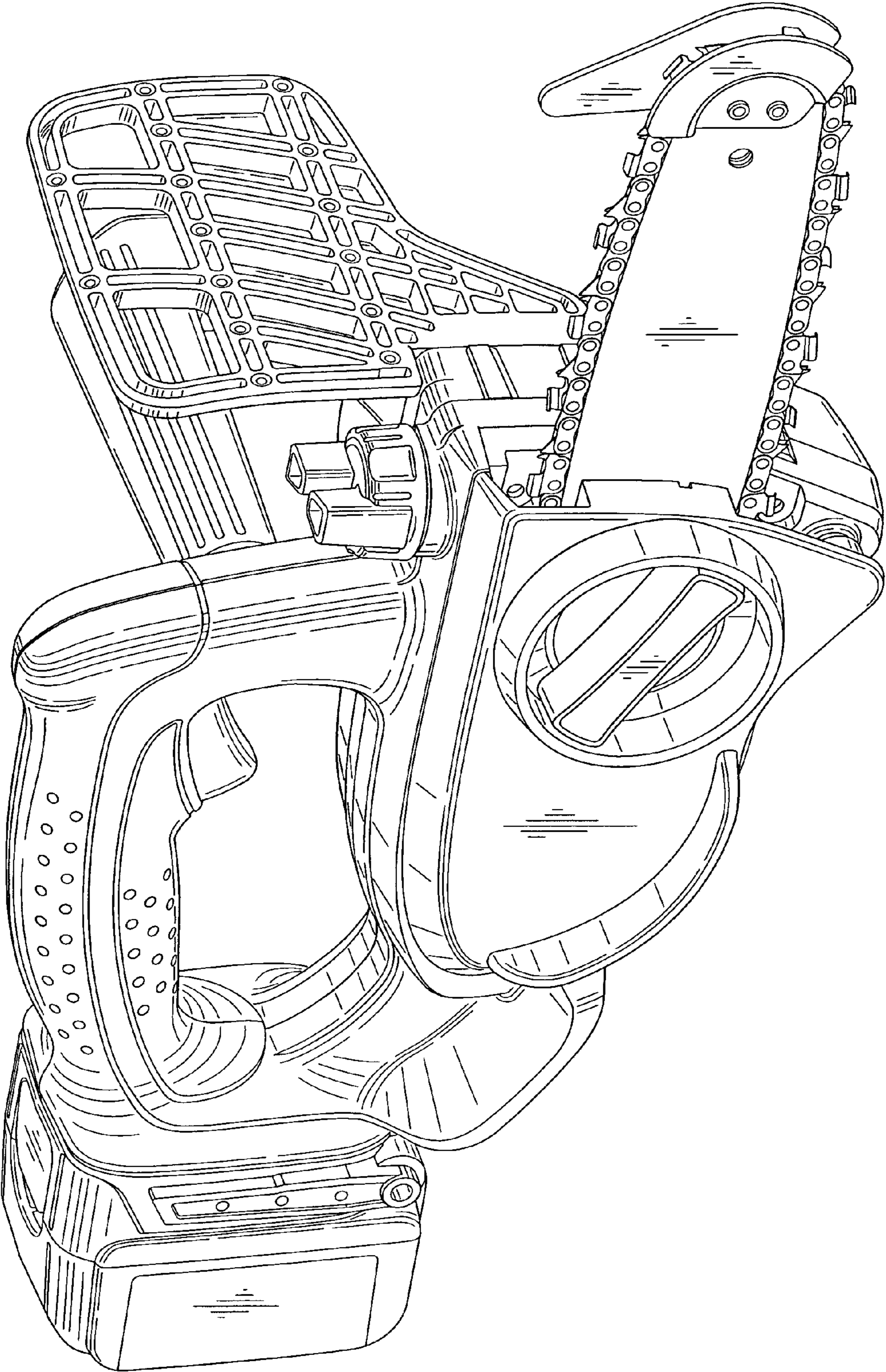


FIG. 1

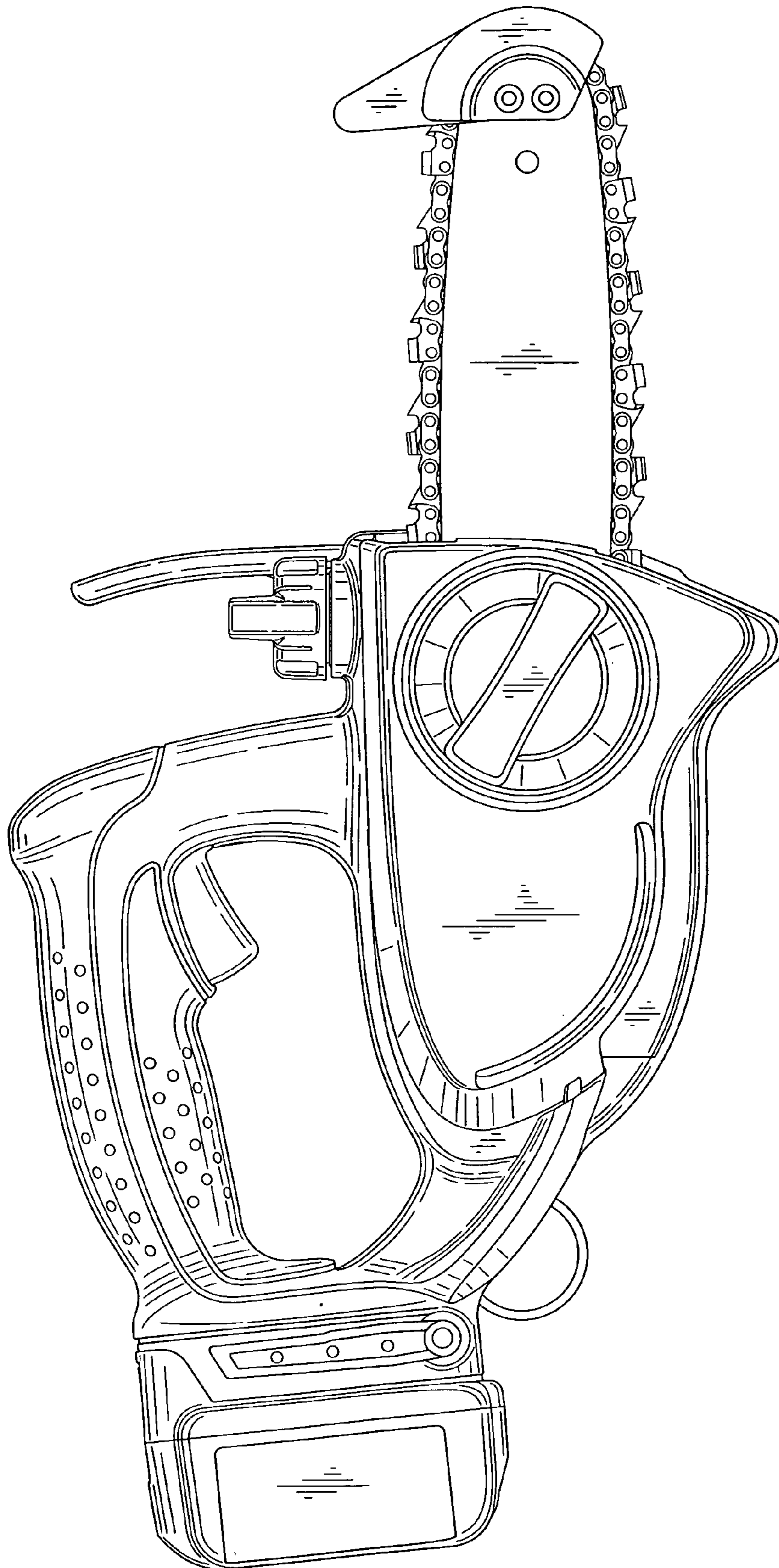


FIG. 2

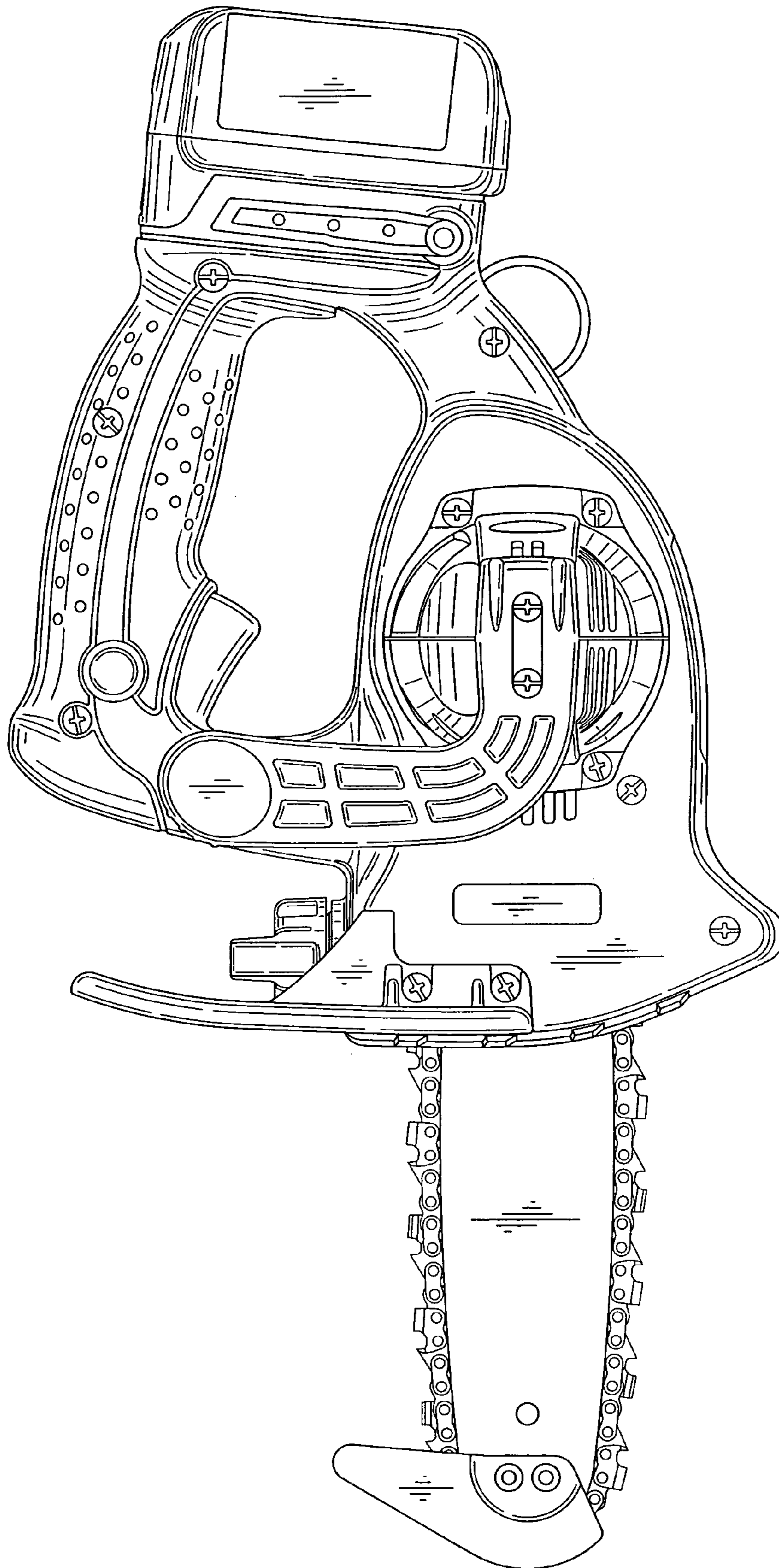


FIG. 3

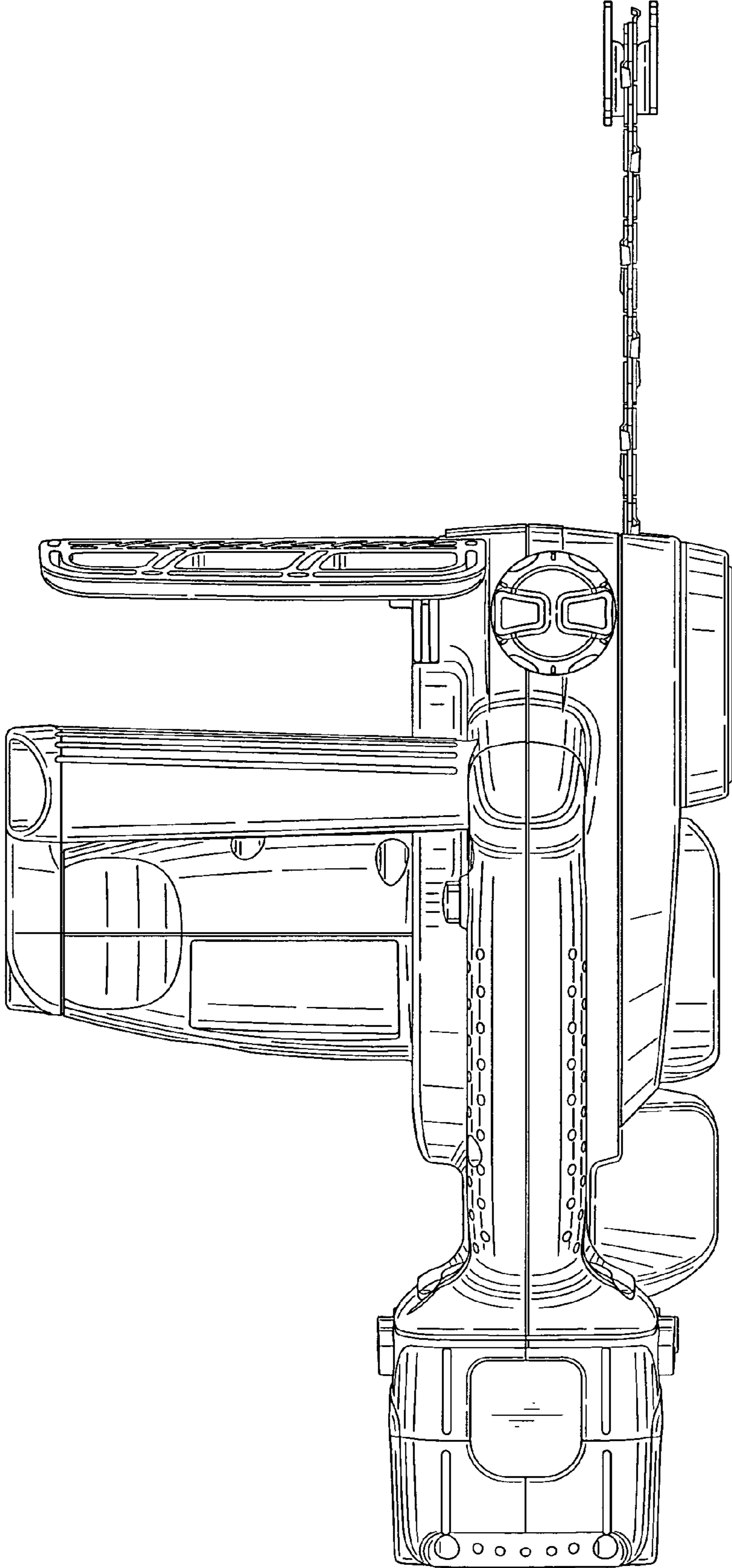


FIG. 4

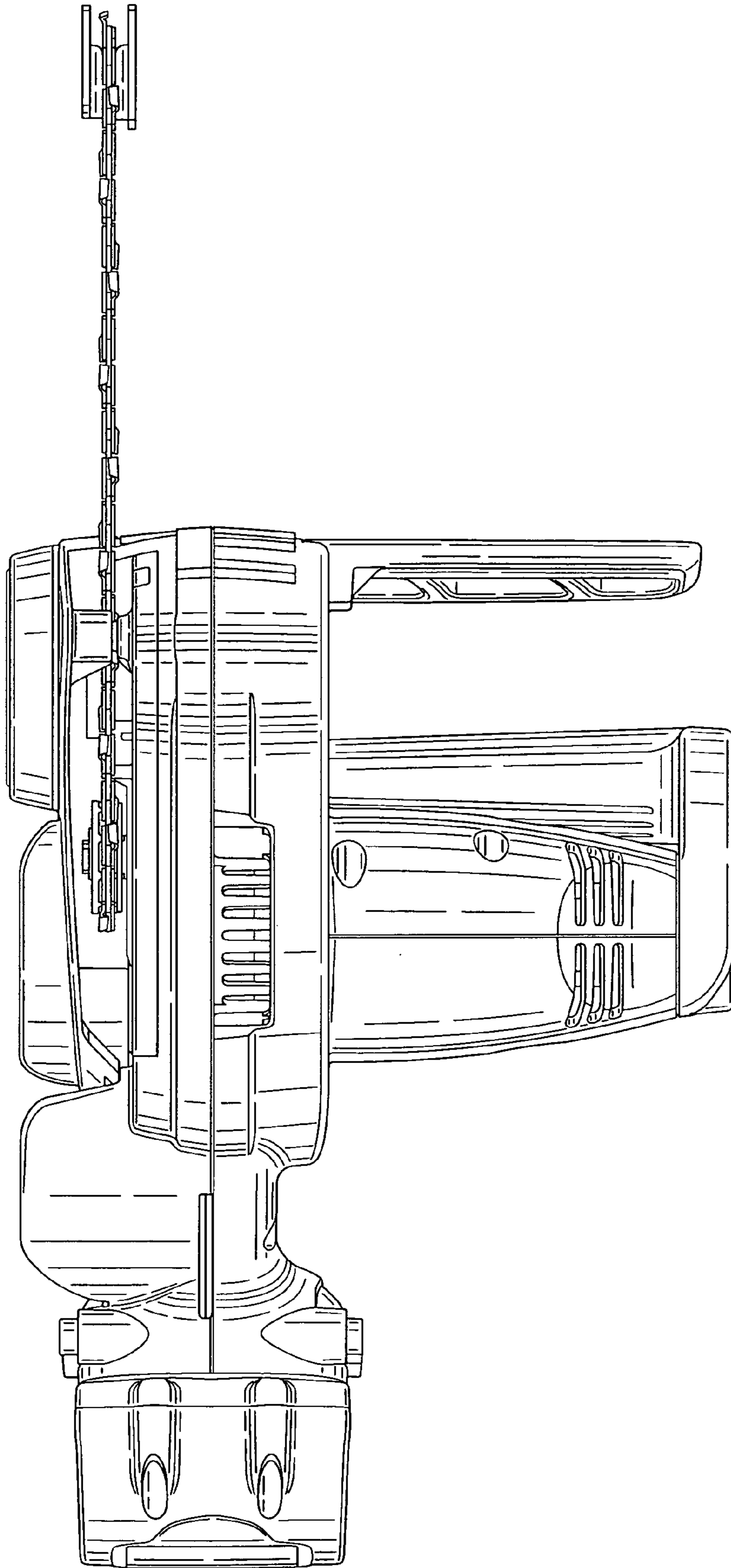
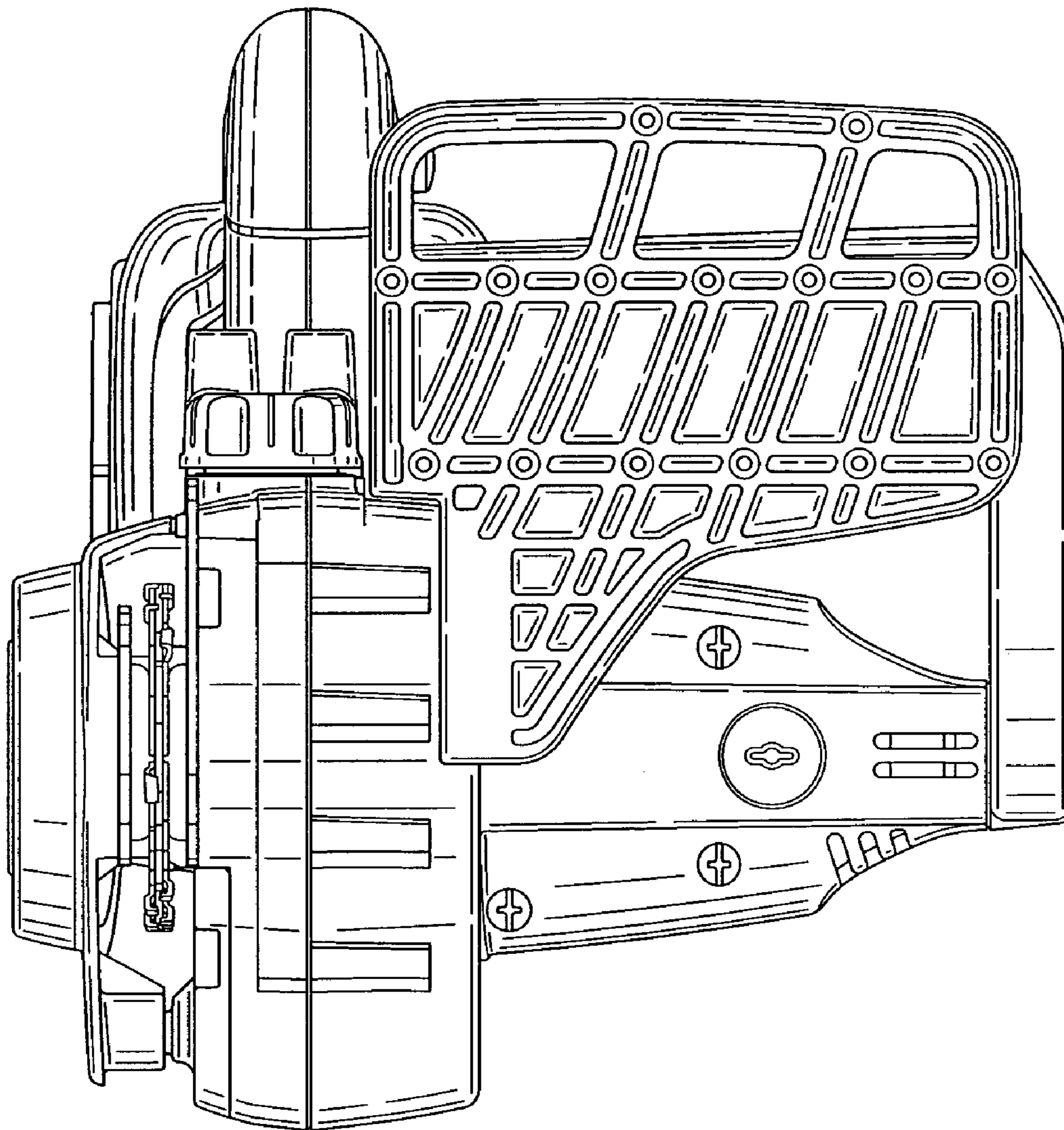


FIG. 5



**FIG. 6**

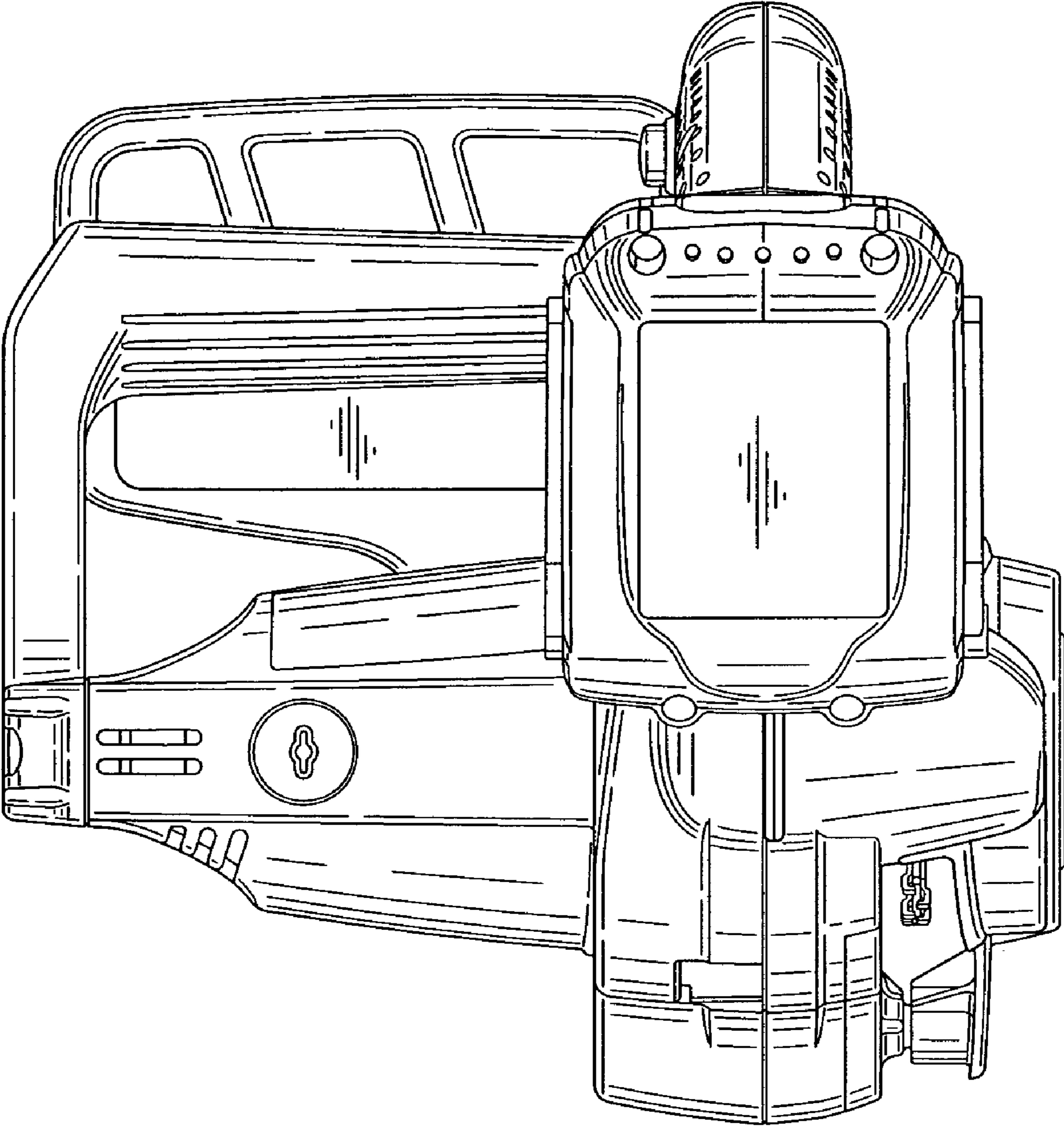


FIG. 7