

US00D575603S

(12) **United States Design Patent**  
**Shiao**

(10) **Patent No.:** **US D575,603 S**

(45) **Date of Patent:** **\*\* Aug. 26, 2008**

(54) **HANDLE FOR AN ELECTRONIC TORSION WRENCH**

(76) **Inventor:** **Hsuan-Sen Shiao**, No. 55, Cheng-Feng Lane, Tai-Ming Rd., Wu-Jih Hsiang, Taichung Hsien (TW)

(\*\*) **Term:** **14 Years**

(21) **Appl. No.:** **29/290,891**

(22) **Filed:** **Jan. 28, 2008**

(51) **LOC (8) Cl.** ..... **08-05**

(52) **U.S. Cl.** ..... **D8/24**

(58) **Field of Classification Search** ..... D8/21-29, D8/81-87, 102-107, 98, 99, 55, 93, 94; 81/60-63.2, 81/177.1, 177.85, 177.8, 489, 125.1, 121.1, 81/119-120, 176.1, 186, 177.9, 185.1, 176.2, 81/165, 170, 3.35, 58, 3.345, 155; 206/378; 16/429, 441, 124.6; 7/100, 138, 168, 157; D24/126

See application file for complete search history.

(56) **References Cited**

**U.S. PATENT DOCUMENTS**

4,070,932	A *	1/1978	Jeannotte	.....	81/177.2
D295,137	S *	4/1988	Baumgarten	.....	D7/395
5,076,121	A *	12/1991	Fosella	.....	81/58.4
D338,822	S *	8/1993	Mallalieu	.....	D8/107
D429,135	S *	8/2000	Ryu	.....	D8/80

D431,164	S *	9/2000	Wimmer	.....	D8/21
6,167,788	B1 *	1/2001	Schonberger et al.	.....	81/467
D474,662	S *	5/2003	Canino et al.	.....	D8/25
D525,853	S *	8/2006	Hsieh	.....	D8/107
D535,172	S *	1/2007	Engvall et al.	.....	D8/107
D542,618	S *	5/2007	Miura et al.	.....	D8/107

\* cited by examiner

*Primary Examiner*—Raphael Barkai

*Assistant Examiner*—Randall H Gholson

(74) *Attorney, Agent, or Firm*—Morgan, Lewis & Bockius LLP

(57) **CLAIM**

The ornamental design for handle for an electronic torsion wrench, as shown and described.

**DESCRIPTION**

FIG. 1 is a perspective view of handle for an electronic torsion wrench showing my new design;

FIG. 2 is a front elevational view thereof;

FIG. 3 is a rear elevational view thereof;

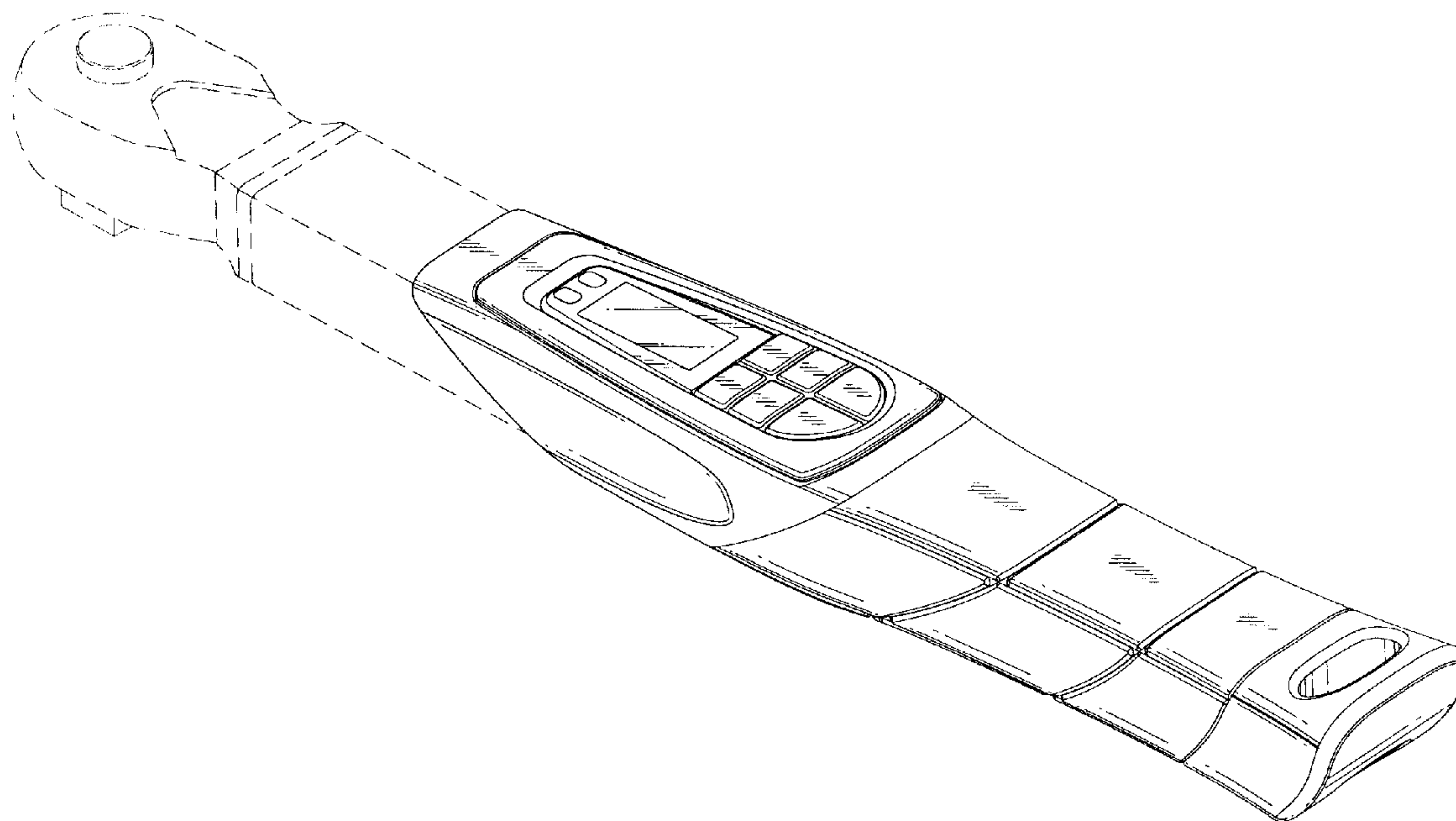
FIG. 4 is a left side elevational view thereof;

FIG. 5 is a right side elevational view thereof;

FIG. 6 is a top plan view thereof; and,

FIG. 7 is a bottom plan view thereof; the portions shown in dashed lines do not form part of the design.

**1 Claim, 6 Drawing Sheets**



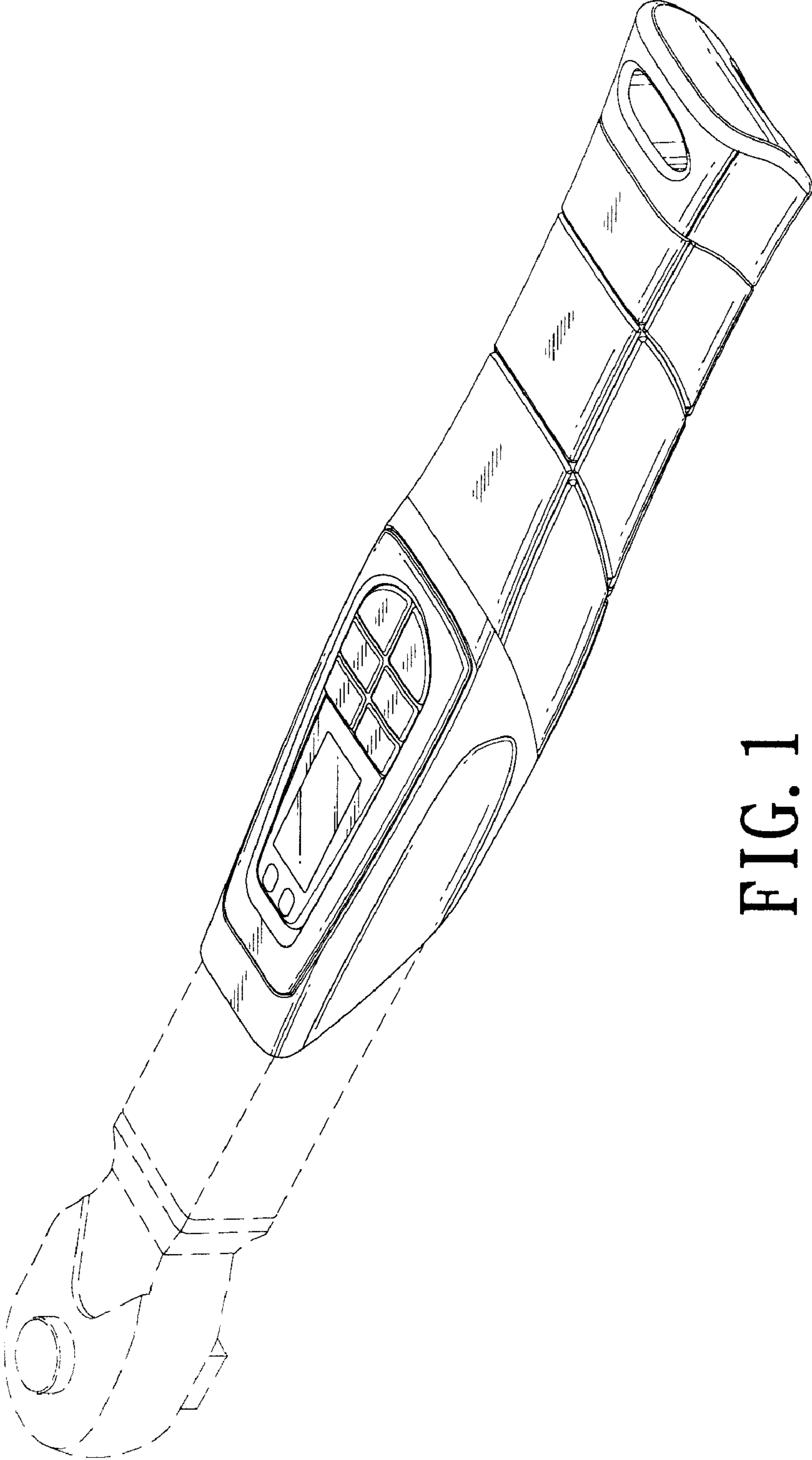


FIG. 1

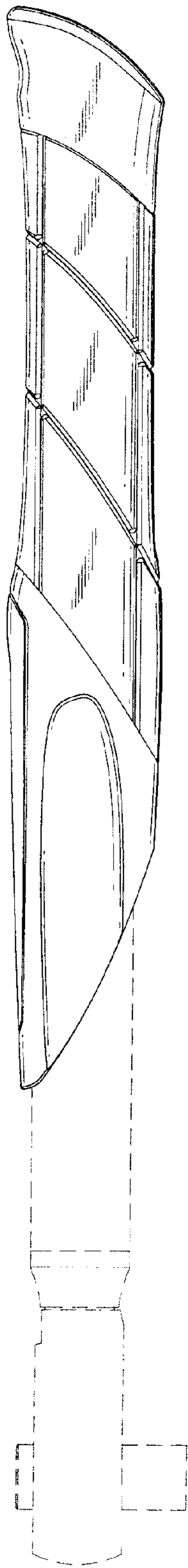


FIG. 2

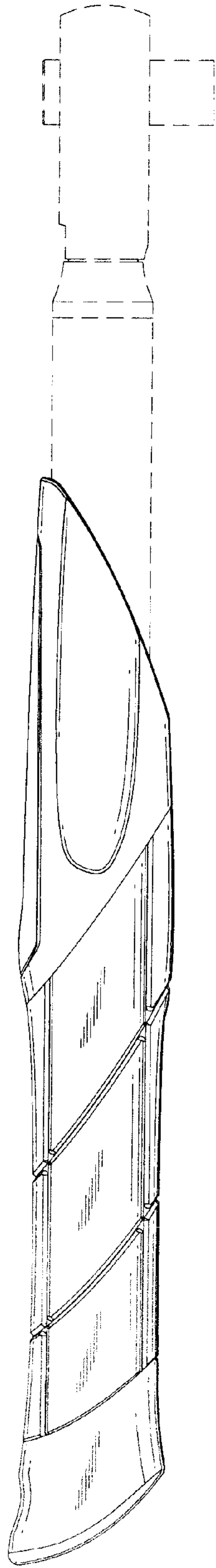


FIG. 3

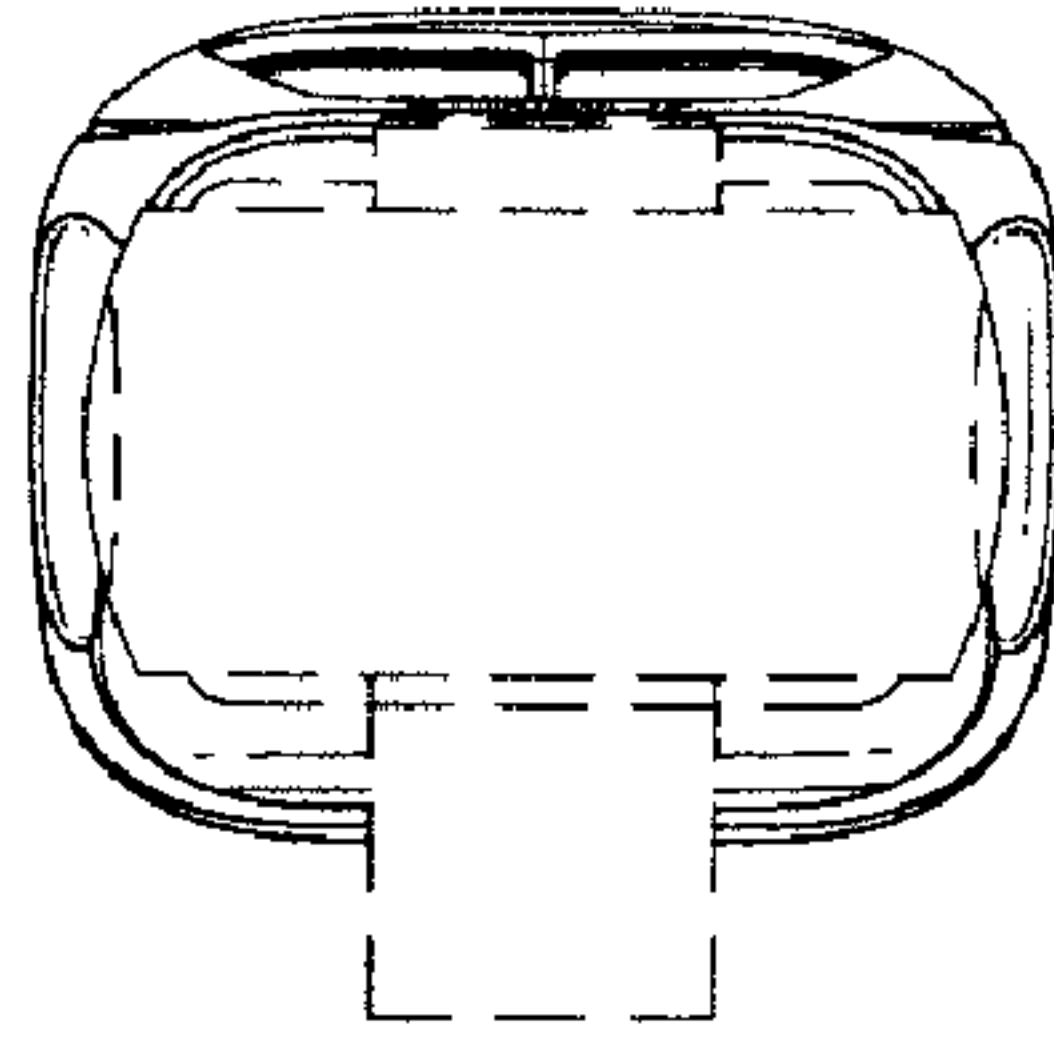


FIG. 4

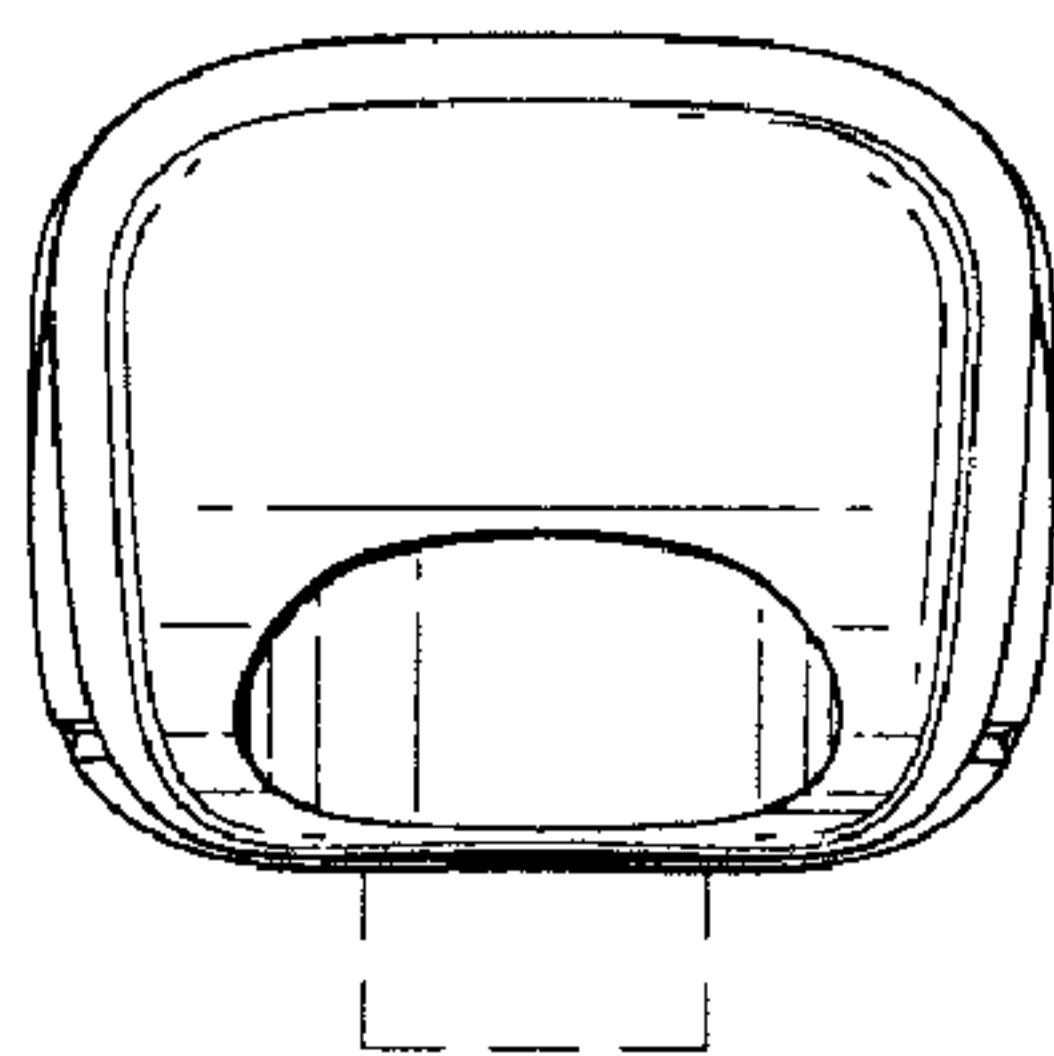


FIG. 5

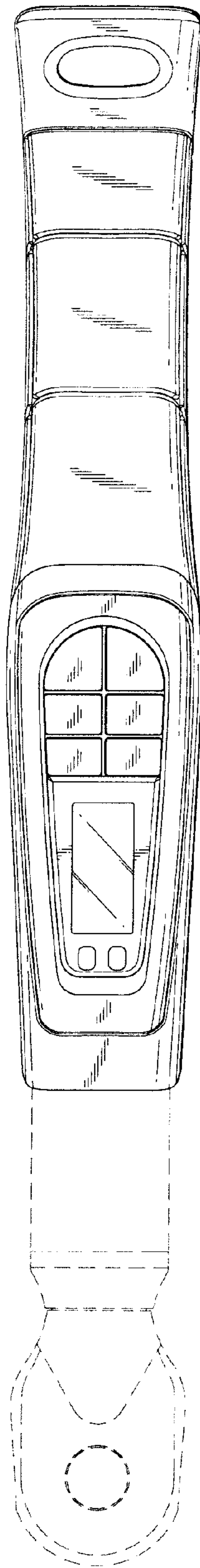


FIG. 6

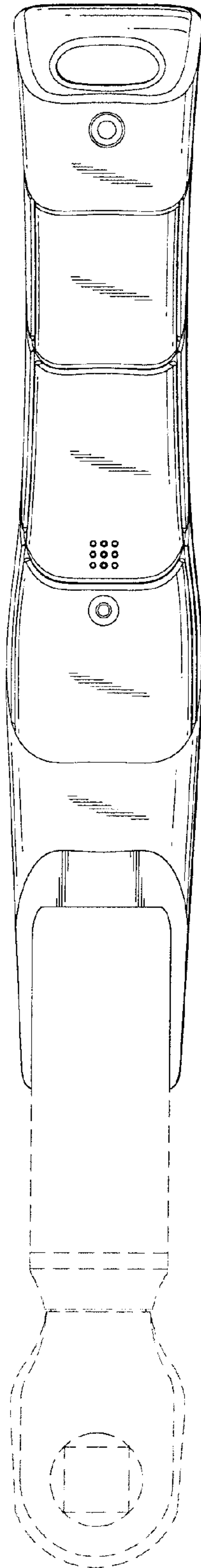


FIG. 7