



US00D575602S

(12) **United States Design Patent**
Nguyen

(10) **Patent No.:** **US D575,602 S**

(45) **Date of Patent:** **** Aug. 26, 2008**

(54) **RATCHET WRENCH**

(76) **Inventor:** **An Thanh Nguyen**, 17514 Bending Post Dr., Houston, TX (US) 77095

(**) **Term:** **14 Years**

(21) **Appl. No.:** **29/300,020**

(22) **Filed:** **Feb. 8, 2008**

(51) **LOC (8) Cl.** **08-05**

(52) **U.S. Cl.** **D8/23**

(58) **Field of Classification Search** D8/21-29,
D8/44, 81-87, 102-107, 98, 99, 55, 93, 94;
81/60-63.2, 177.1, 177.85, 177.8, 489, 125.1,
81/121.1, 119-120, 176.1, 186, 177.9, 185.1,
81/176.2, 165, 170, 3.35, 58, 3.345, 155;
206/378; 16/429, 441, 124.6; 7/100, 138,
7/168, 157; D24/146

See application file for complete search history.

(56) **References Cited**

U.S. PATENT DOCUMENTS

37,395	A *	1/1863	Getty	81/99
1,634,906	A *	7/1927	Kienzle	29/896.3
D138,173	S *	6/1944	Mathews	D8/23
D143,898	S *	2/1946	Brintnall	D8/23
2,645,145	A *	7/1953	Larson	81/99
2,655,064	A *	10/1953	Simon et al.	81/99
3,091,106	A *	8/1975	Causey	
4,276,790	A *	7/1981	Davis	81/62
4,967,612	A *	11/1990	Sparling	81/64
5,018,412	A *	5/1991	Wylie, III	81/111

* cited by examiner

Primary Examiner—Raphael Barkai

Assistant Examiner—Randall H Gholson

(74) *Attorney, Agent, or Firm*—Richard C. Litman

(57) **CLAIM**

The ornamental design for a ratchet wrench, as shown and described.

DESCRIPTION

FIG. 1 is a front elevational view of a first embodiment of a ratchet wrench showing my new design;

FIG. 2 is a rear elevational view thereof;

FIG. 3 is a right side elevational view, with the left side being a mirror image, thereof;

FIG. 4 is a top plan view thereof;

FIG. 5 is a bottom plan view thereof;

FIG. 6 is a perspective view thereof.

FIG. 7 is a front elevational view of a second embodiment of a ratchet wrench showing my new design;

FIG. 8 is a rear elevational view thereof;

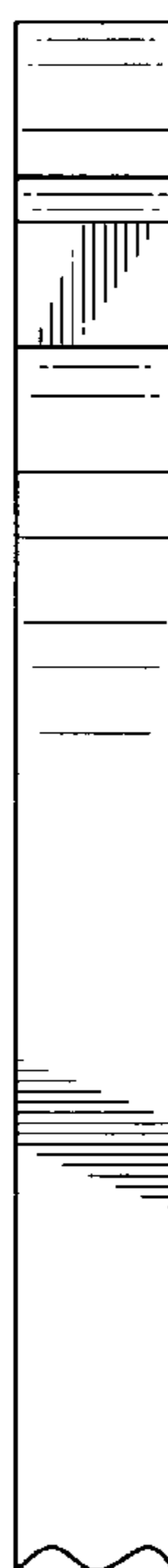
FIG. 9 is a right side elevational view, with the left side being a mirror image, thereof;

FIG. 10 is a top plan view thereof;

FIG. 11 is a bottom plan view thereof; and,

FIG. 12 is a perspective view thereof.

1 Claim, 6 Drawing Sheets



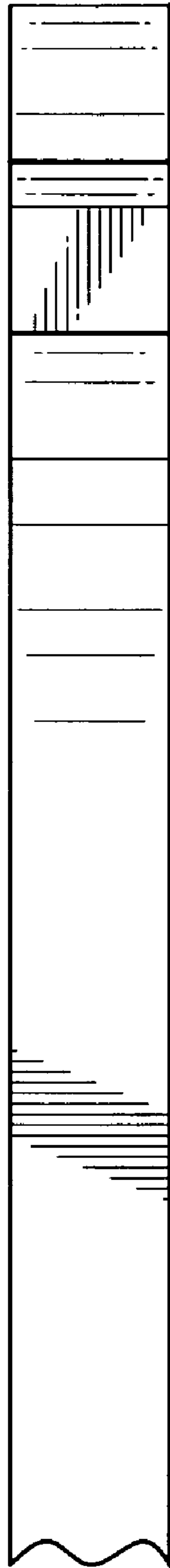


Fig. 1

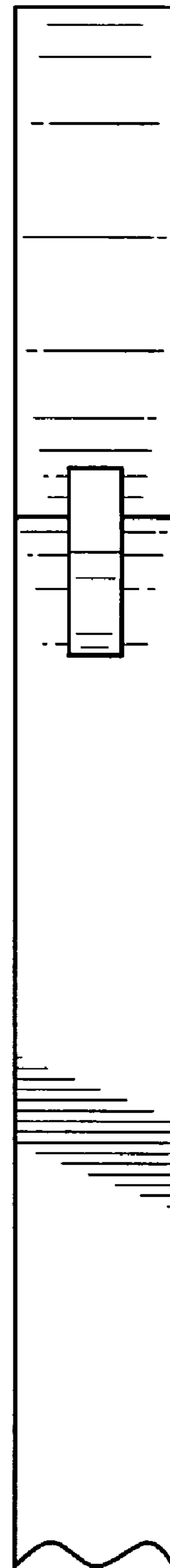


Fig. 2

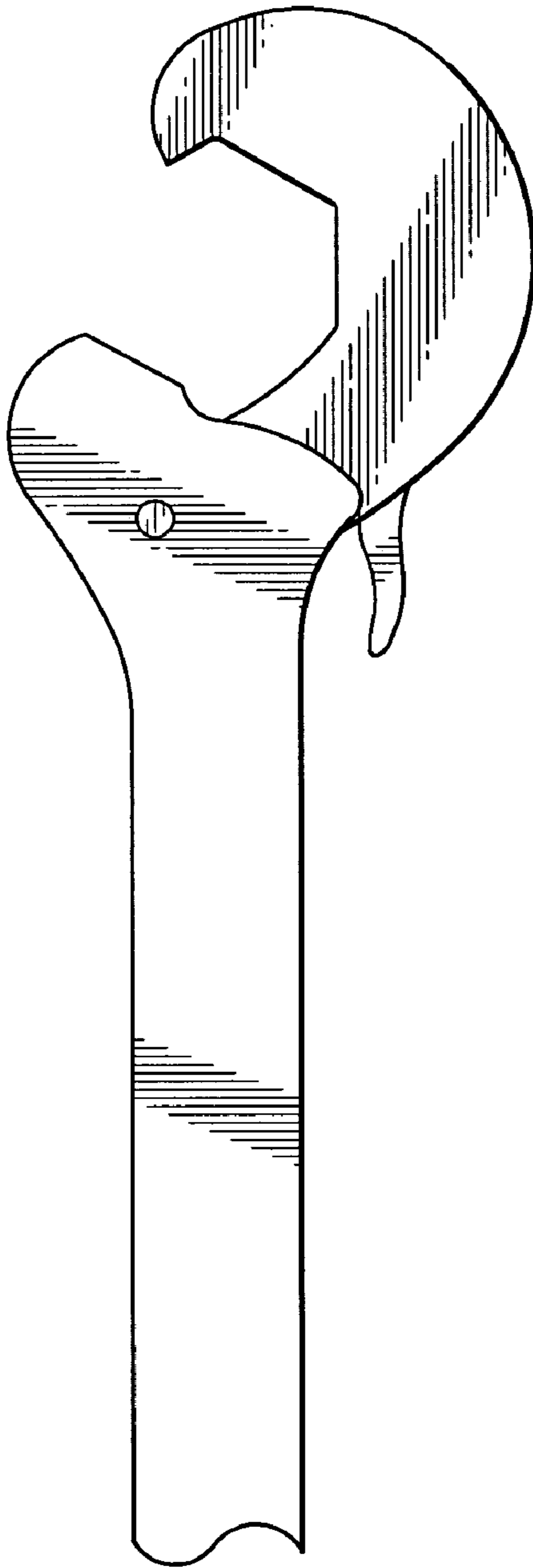


Fig. 3

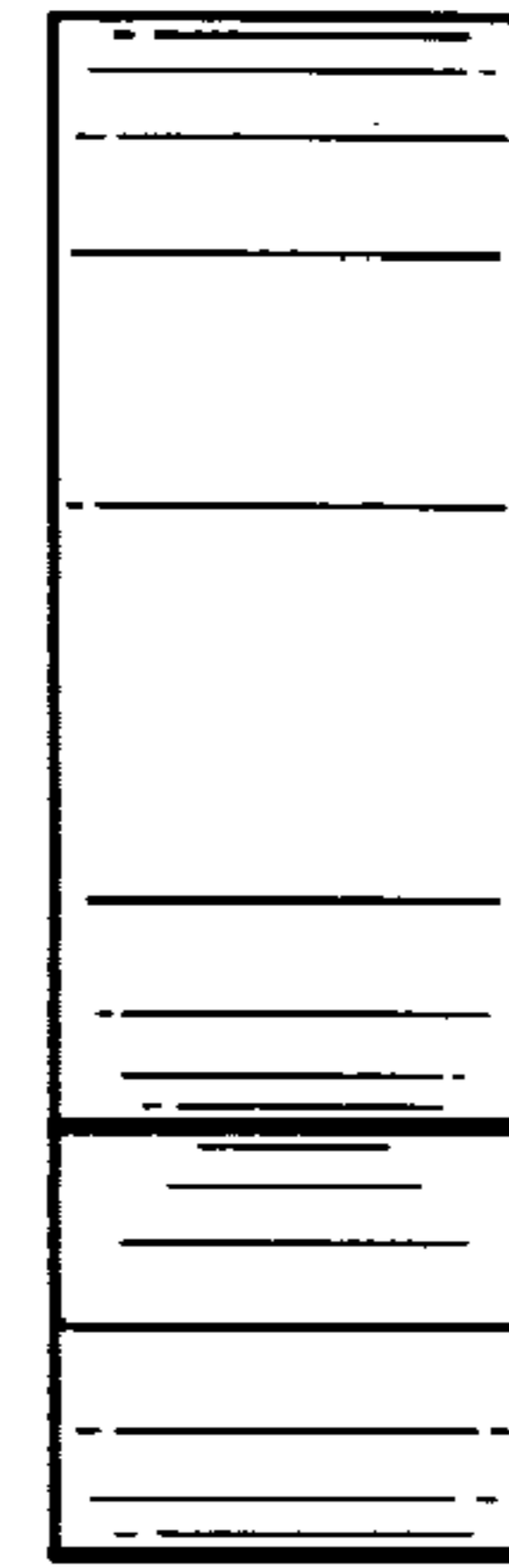


Fig. 4

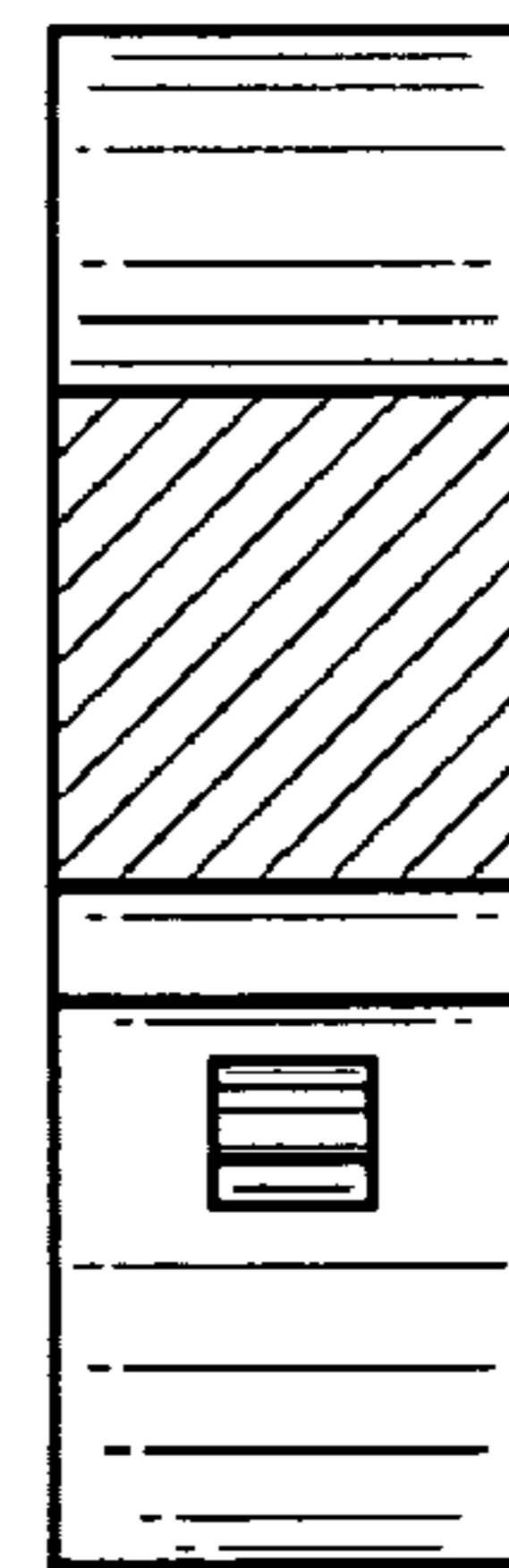


Fig. 5

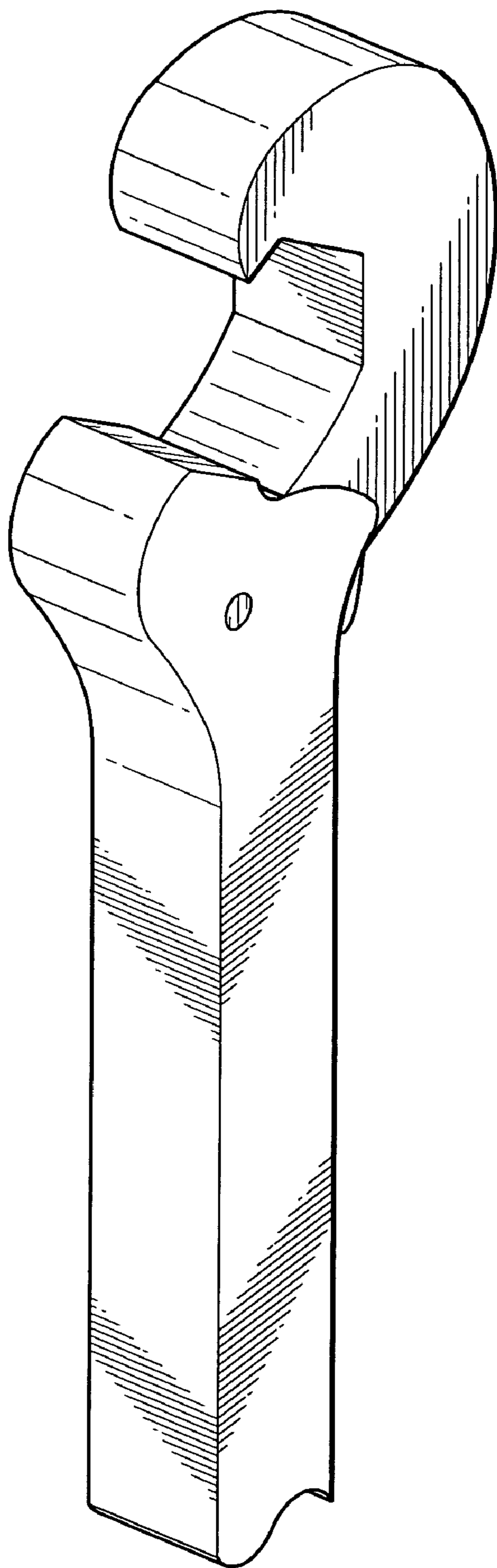


Fig. 6

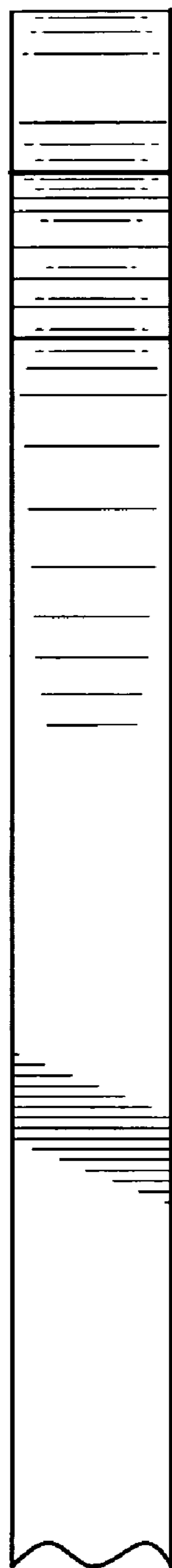


Fig. 7

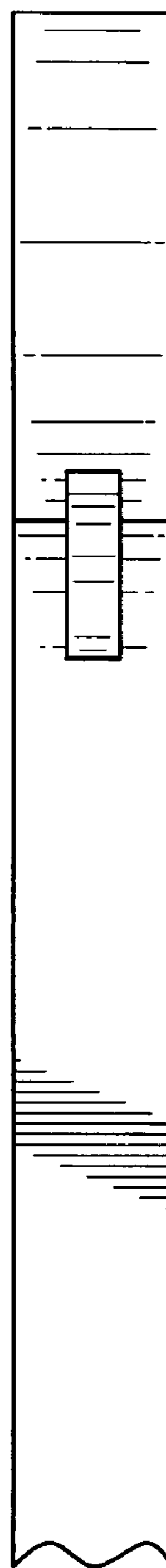


Fig. 8

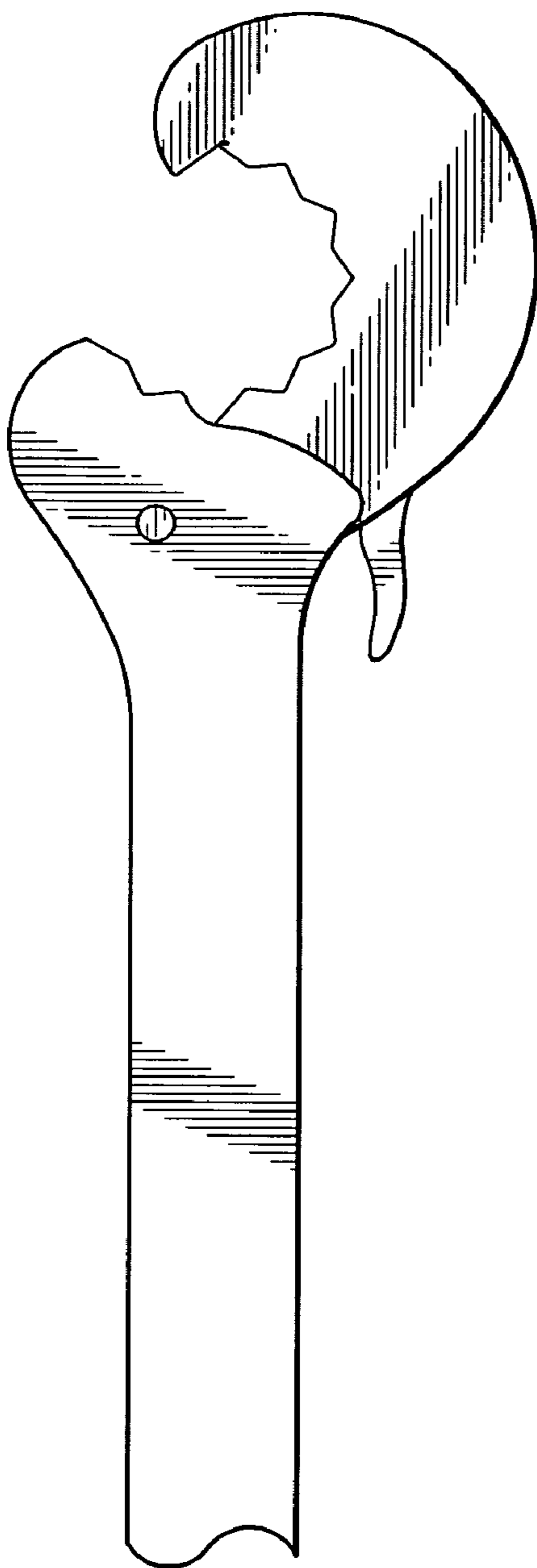


Fig. 9

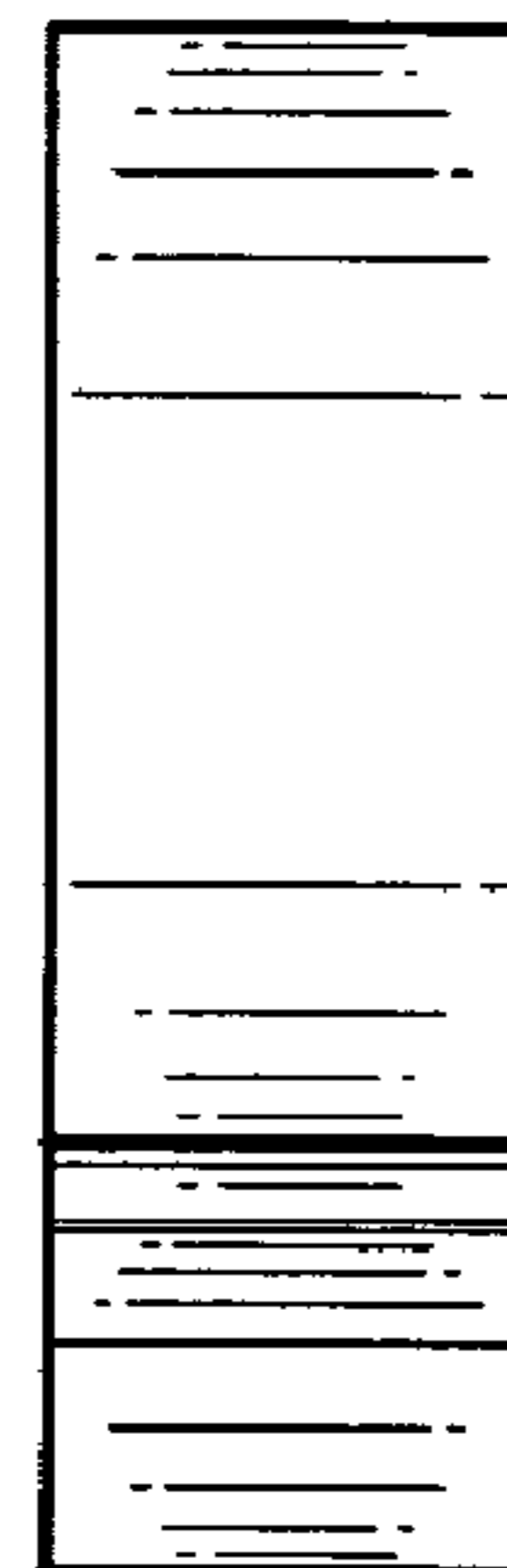


Fig. 10

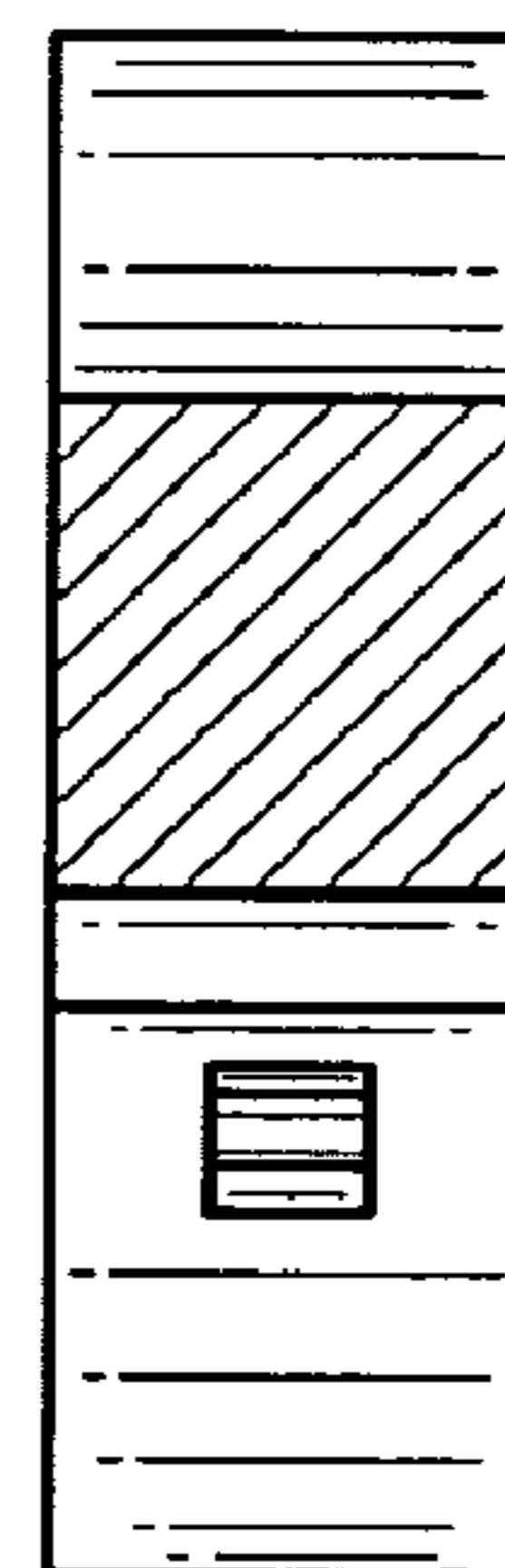


Fig. 11

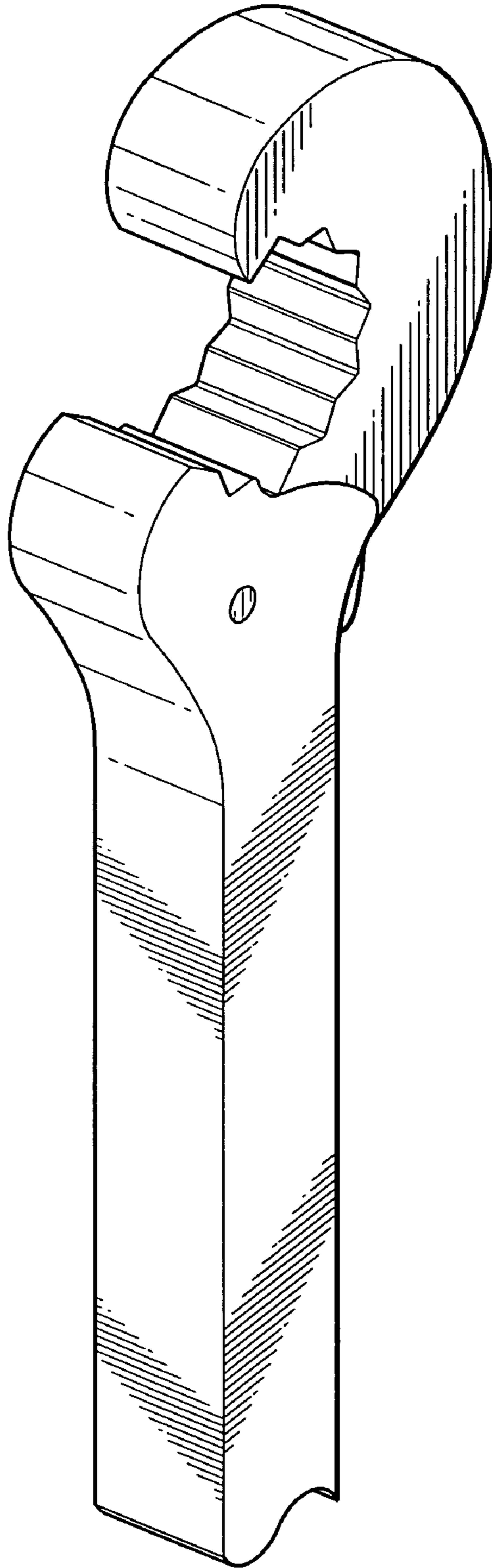


Fig. 12