



US00D575601S

(12) **United States Design Patent**
Ricketts

(10) **Patent No.:** **US D575,601 S**

(45) **Date of Patent:** **** Aug. 26, 2008**

(54) **PESTICIDE DUST-APPLYING WAND SYSTEM**

D421,204 S 2/2000 McBride
6,925,751 B2 8/2005 Williams et al.
D542,373 S * 5/2007 Cooper D23/225

(75) Inventor: **William Gregory Ricketts**, 3905 Joliet St., Silver Spring, MD (US) 20906

* cited by examiner

(73) Assignee: **William Gregory Ricketts**, Silver Spring, MD (US)

Primary Examiner—T. Chase Nelson
Assistant Examiner—Sheryl Friedman

(**) Term: **14 Years**

(57) **CLAIM**

(21) Appl. No.: **29/287,596**

The ornamental design for a pesticide dust-applying wand system, as shown and described.

(22) Filed: **Aug. 28, 2007**

DESCRIPTION

(51) **LOC (8) Cl.** **08-01**

FIG. 1 is a top, left, front perspective view of my design.

(52) **U.S. Cl.** **D8/2**

FIG. 2 is a left side elevational view thereof.

(58) **Field of Classification Search** D23/225;
D8/2; 239/302, 308, 314, 315, 316

FIG. 3 is a top plan view thereof.

See application file for complete search history.

FIG. 4 is a right side elevational view thereof.

FIG. 5 is a bottom plan view thereof.

(56) **References Cited**

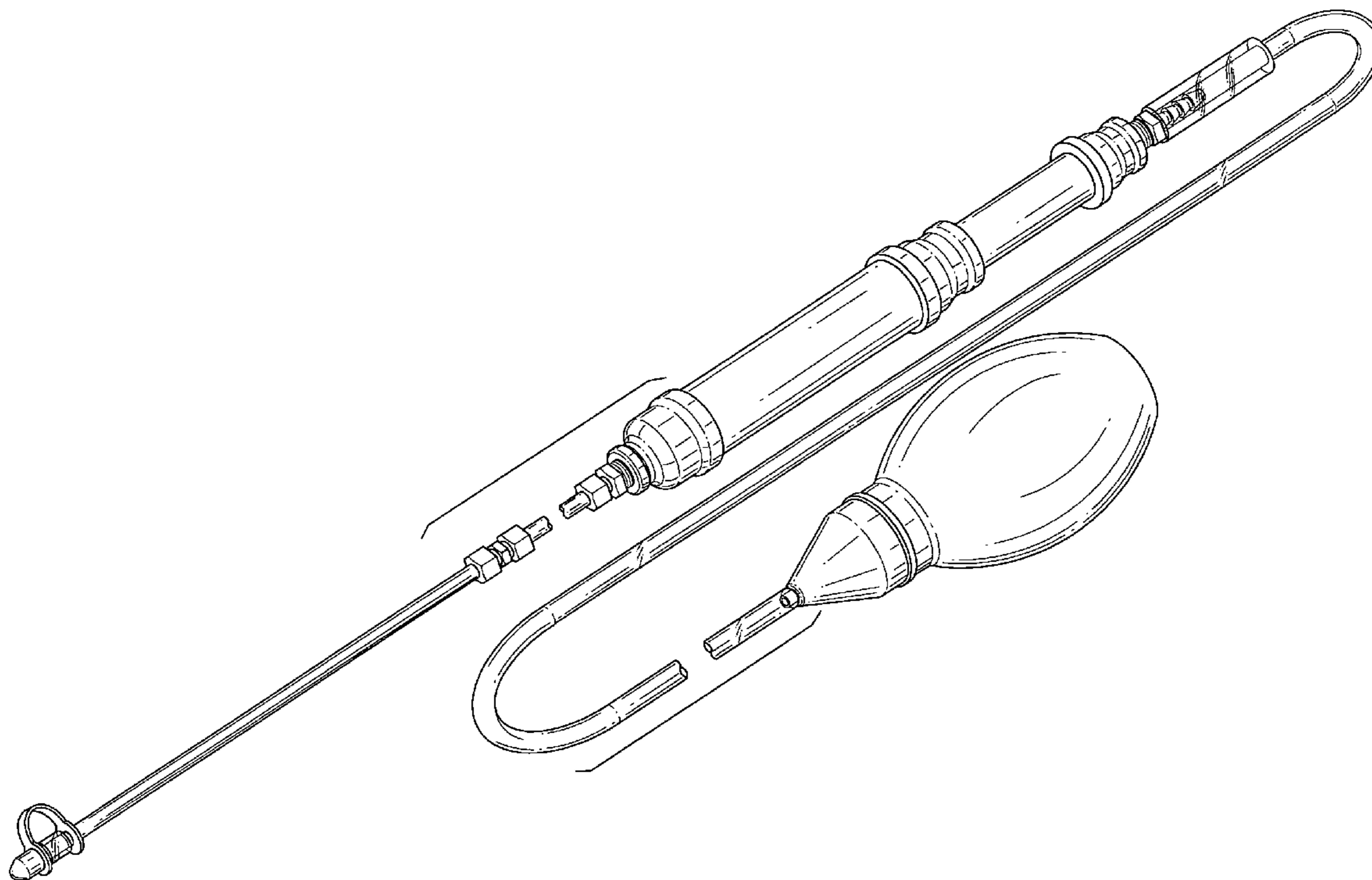
FIG. 6 is an enlarged front end view thereof; and,

FIG. 7 is an enlarged rear end view thereof.

U.S. PATENT DOCUMENTS

1,558,439 A 10/1925 Schilplin
D366,926 S * 2/1996 McGinnity et al. D23/213

1 Claim, 4 Drawing Sheets



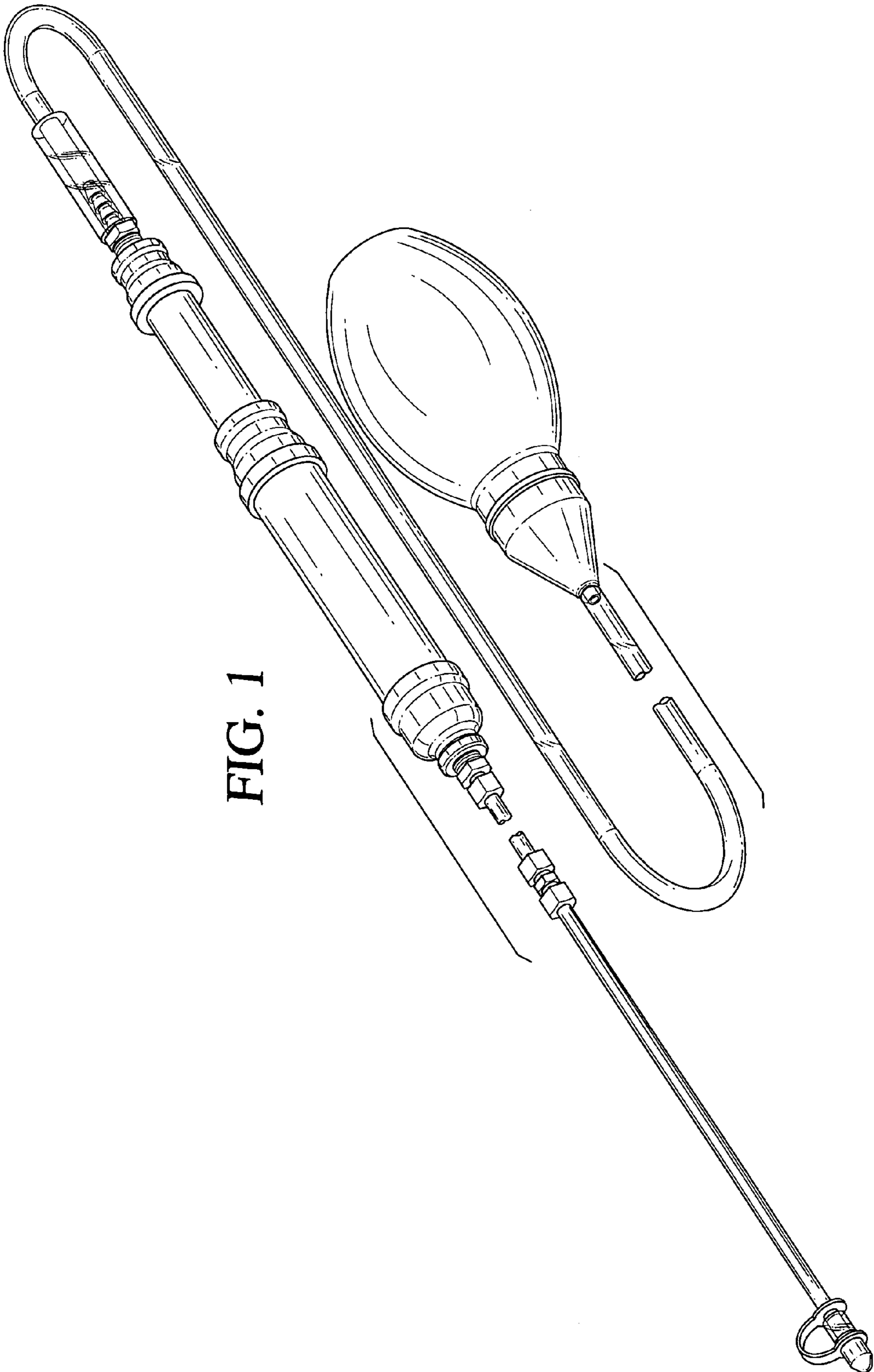


FIG. 1

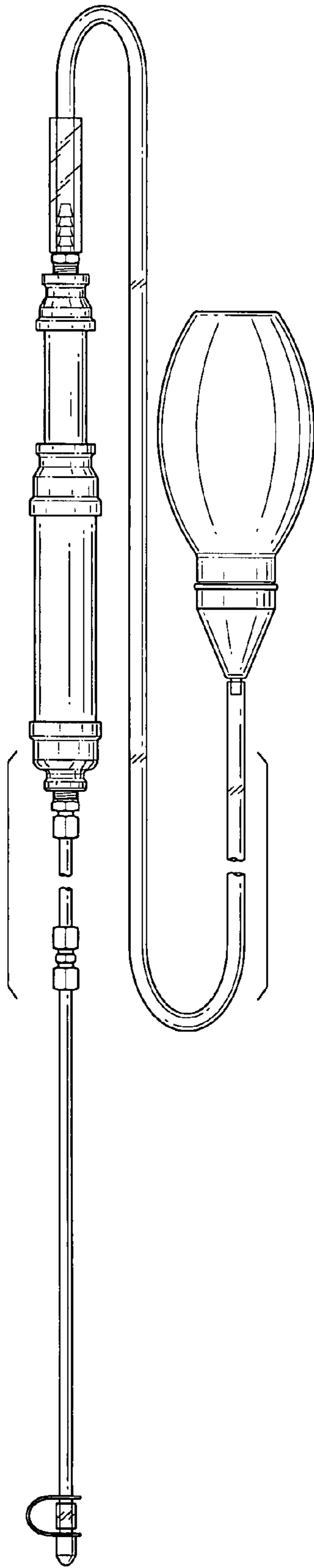


FIG. 2

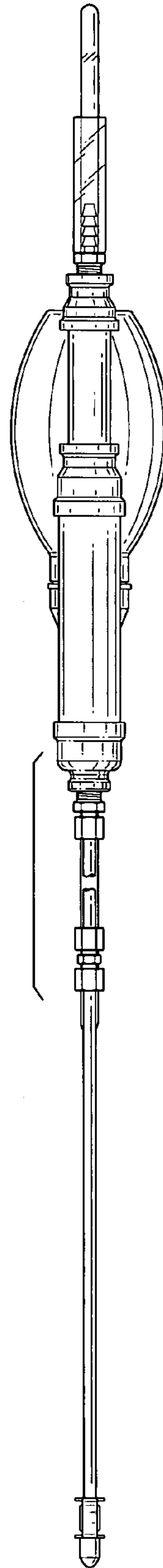


FIG. 3

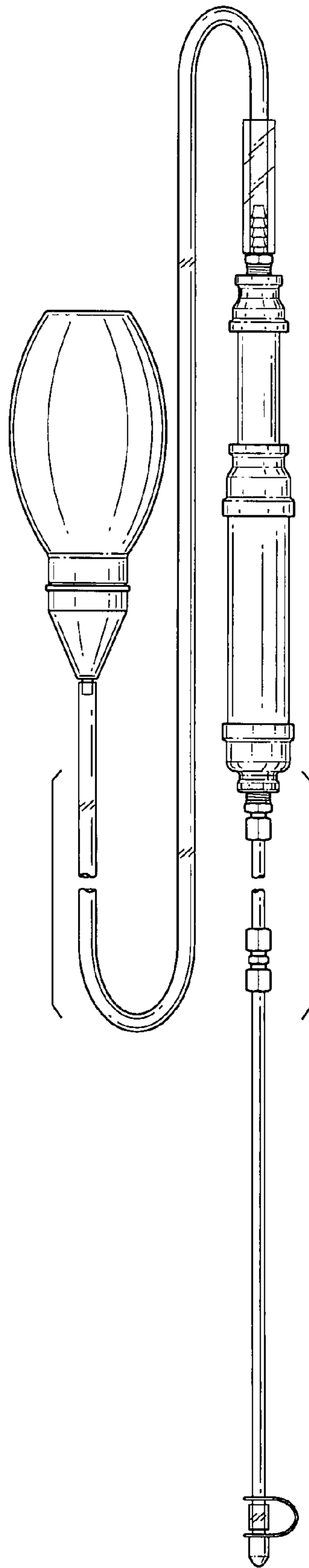


FIG. 4

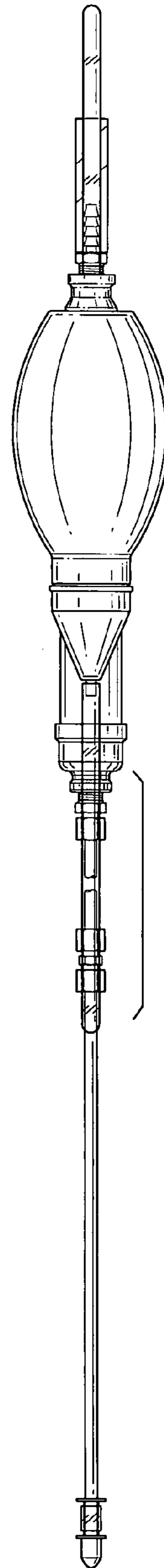


FIG. 5

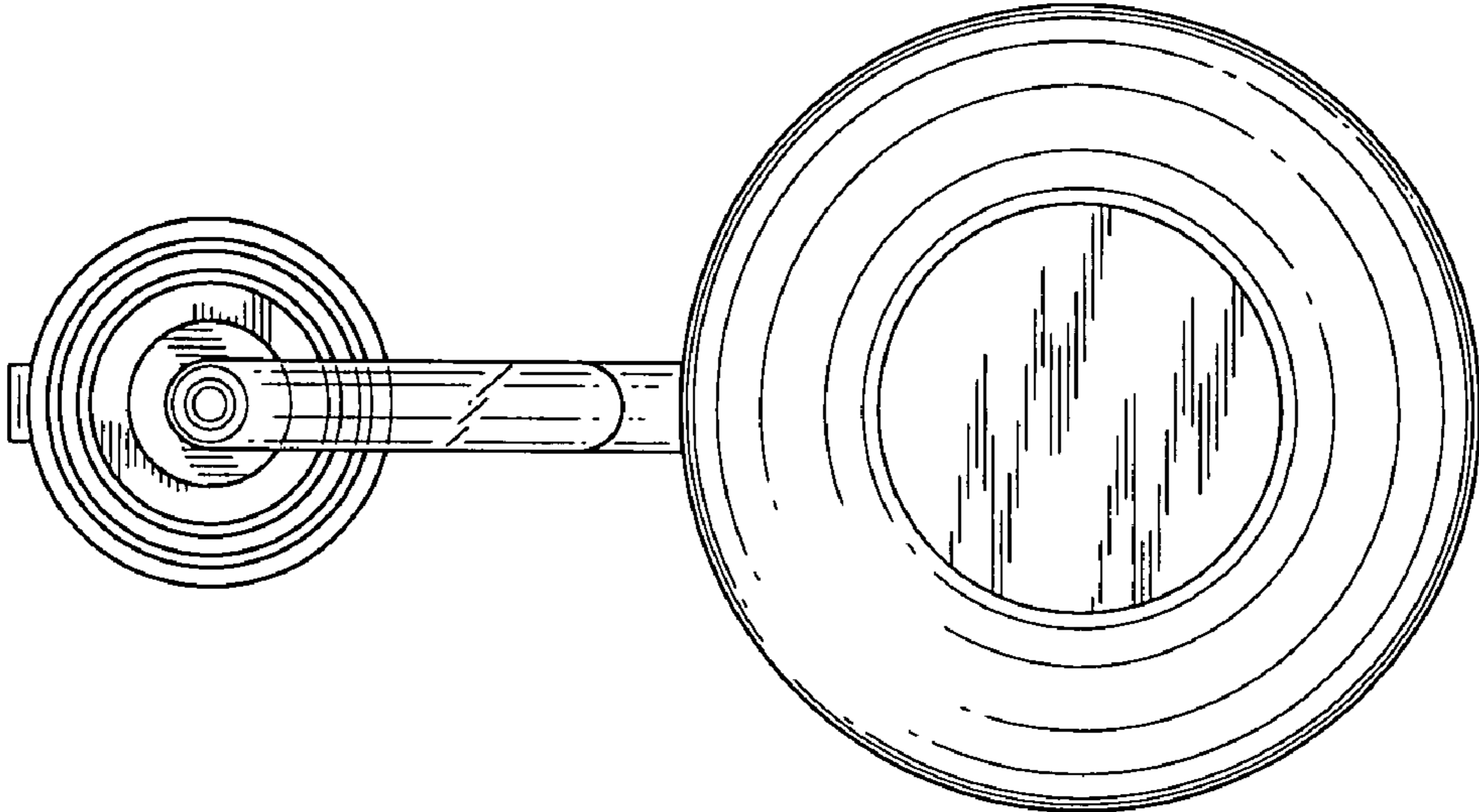


FIG. 7

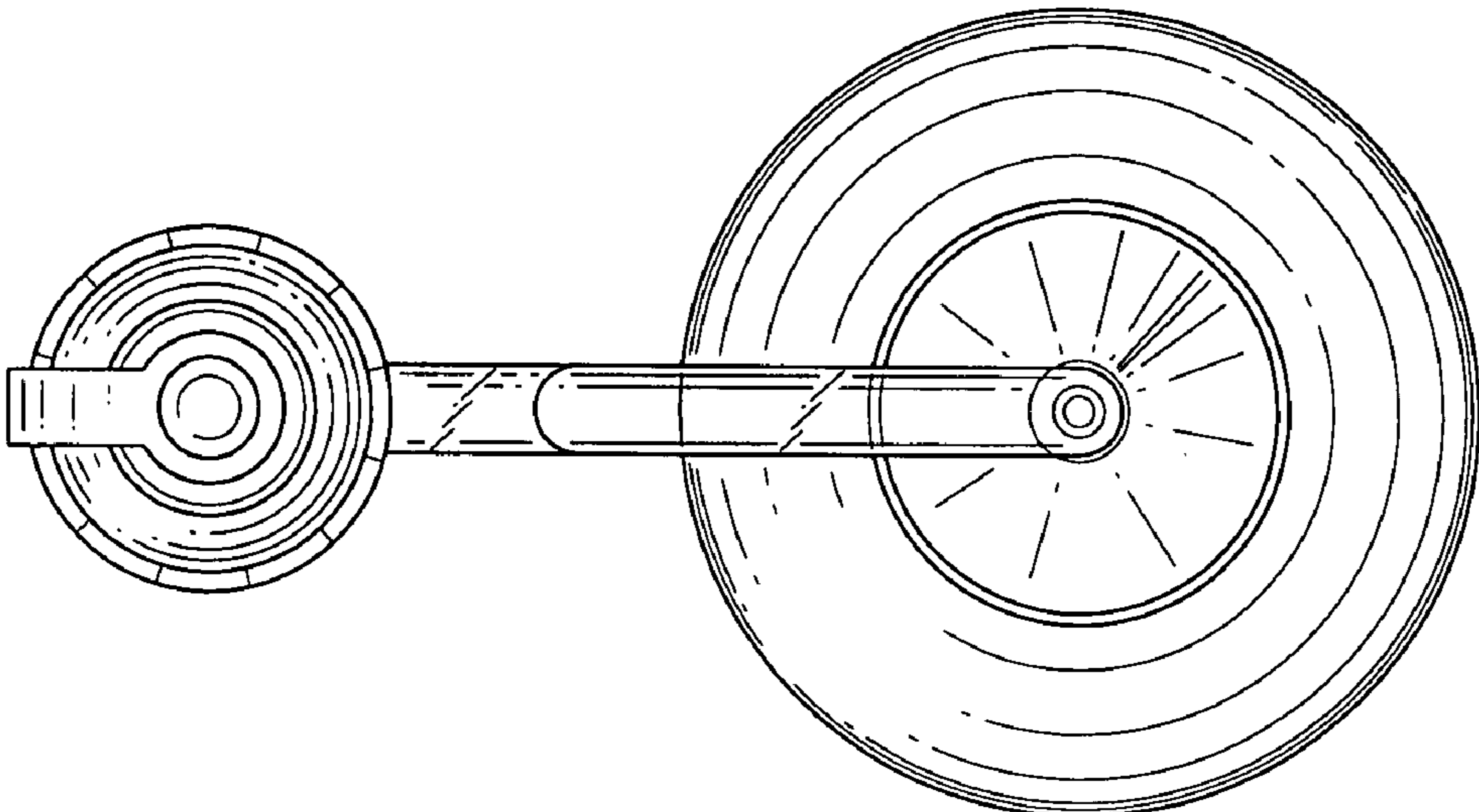


FIG. 6