

US00D575593S

(12) **United States Design Patent**
Svartström

(10) **Patent No.:** **US D575,593 S**

(45) **Date of Patent:** **** Aug. 26, 2008**

(54) **COMBINED FOLDABLE FORK AND SPOON**

(75) Inventor: **Eric Svartström**, Stockholm (SE)

(73) Assignee: **Primus AB**, Ornskoldsvik (SE)

(**) Term: **14 Years**

(21) Appl. No.: **29/290,444**

(22) Filed: **Dec. 5, 2007**

(30) **Foreign Application Priority Data**

Jun. 15, 2007 (EM) 000742218

(51) **LOC (8) Cl.** **07-03**

(52) **U.S. Cl.** **D7/644**

(58) **Field of Classification Search** D7/368,
D7/393, 395, 401.2, 642-646, 649-653, 660-664,
D7/669, 675-676, 683, 688, 692-696; D8/10,
D8/36, 75, 80, 83, 87, 98, 99, 102, 107, 300,
D8/303; 30/123.5-123.7, 124-125, 128,
30/137, 141-143, 147-150, 169, 304, 316,
30/322-329, 342-346, 353, 355, 394; 100/213;
416/70 R

See application file for complete search history.

(56) **References Cited**

U.S. PATENT DOCUMENTS

398,264	A *	2/1889	Kisner	30/150
D30,129	S *	2/1899	Whitcomb	D7/644
854,745	A *	5/1907	King	30/150
972,777	A *	10/1910	Richardson	30/147
1,337,174	A *	4/1920	Whyte	30/150
1,367,649	A *	2/1921	White	100/213
1,372,325	A *	3/1921	Willemin	30/143
5,845,403	A *	12/1998	Nivin	30/147
D414,988	S *	10/1999	Santini	D7/644
D530,985	S *	10/2006	Evans	D7/644
D535,857	S *	1/2007	Bristow	D7/644
D562,084	S *	2/2008	McGrath	D7/653

* cited by examiner

Primary Examiner—Caron D. Veynar

Assistant Examiner—Ricky Pham

(74) *Attorney, Agent, or Firm*—Nixon & Vanderhye P.C.

(57) **CLAIM**

The ornamental design for a combined foldable fork and spoon, as shown.

DESCRIPTION

FIG. 1 is a top perspective view of the combined foldable fork and spoon.

FIG. 2 is a top perspective view of the combined foldable fork and spoon.

FIG. 3 is a top view of the combined foldable fork and spoon.

FIG. 4 is a bottom view of the combined foldable fork and spoon.

FIG. 5 is a front side view of the combined foldable fork and spoon.

FIG. 6 is a back side view of the combined foldable fork and spoon.

FIG. 7 is a left side view of the combined foldable fork and spoon.

FIG. 8 is a right side view of the combined foldable fork and spoon.

FIG. 9 is a top view of the combined foldable fork and spoon.

FIG. 10 is a bottom view of the combined foldable fork and spoon.

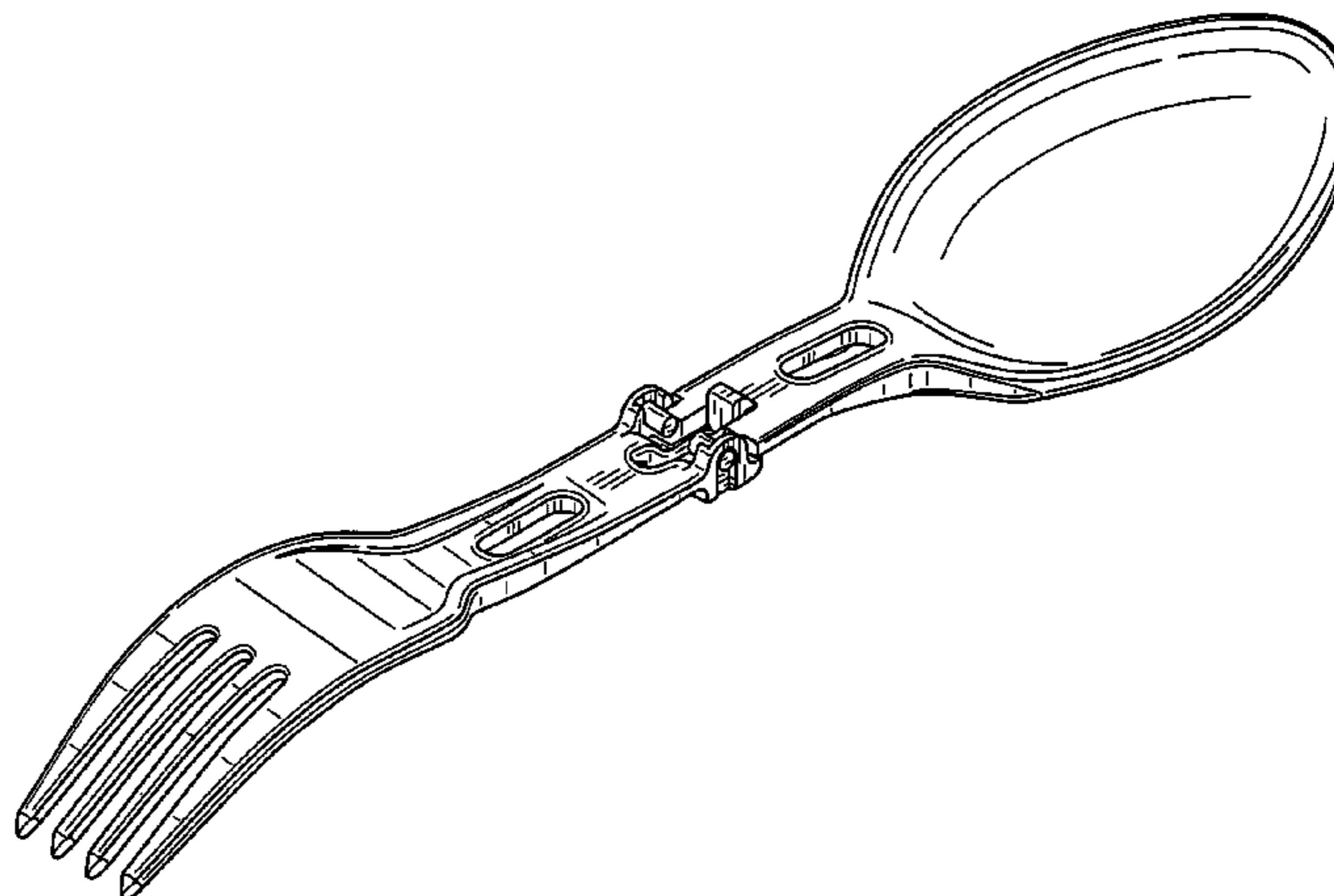
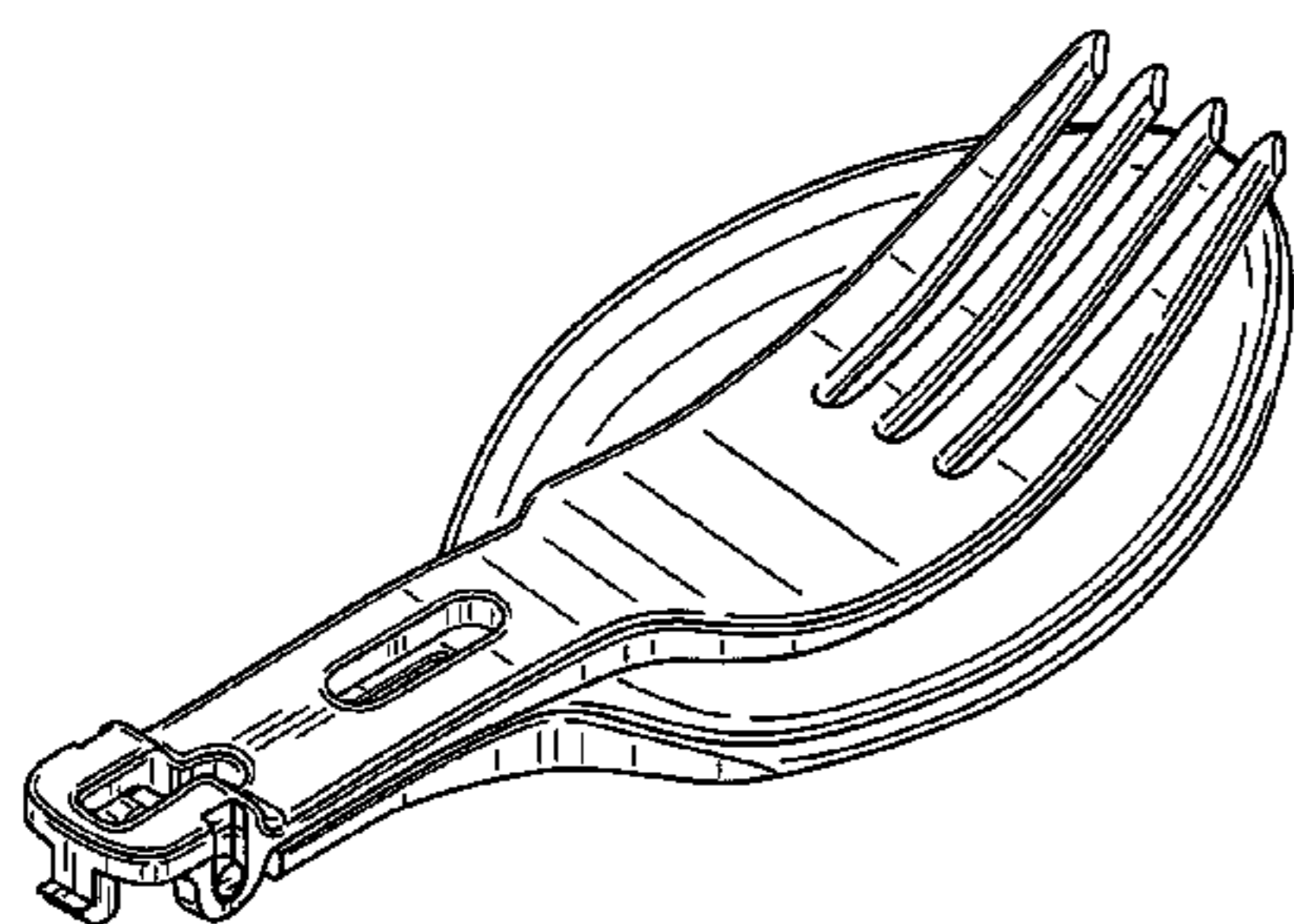
FIG. 11 is a front side view of the combined foldable fork and spoon.

FIG. 12 is a back side view of the combined foldable fork and spoon.

FIG. 13 is a left side view of the combined foldable fork and spoon; and,

FIG. 14 is a right side view of the combined foldable fork and spoon.

1 Claim, 5 Drawing Sheets



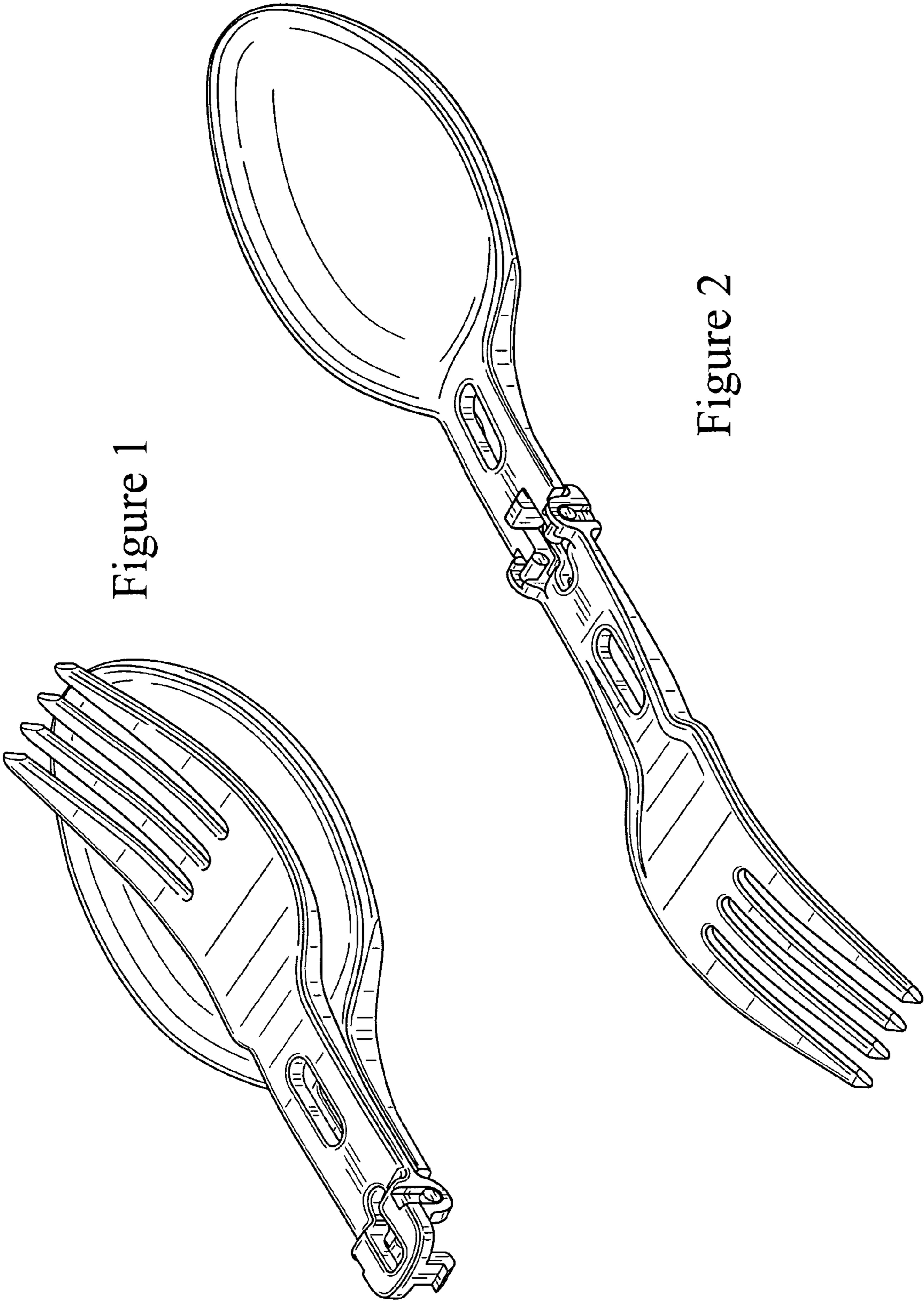


Figure 1

Figure 2

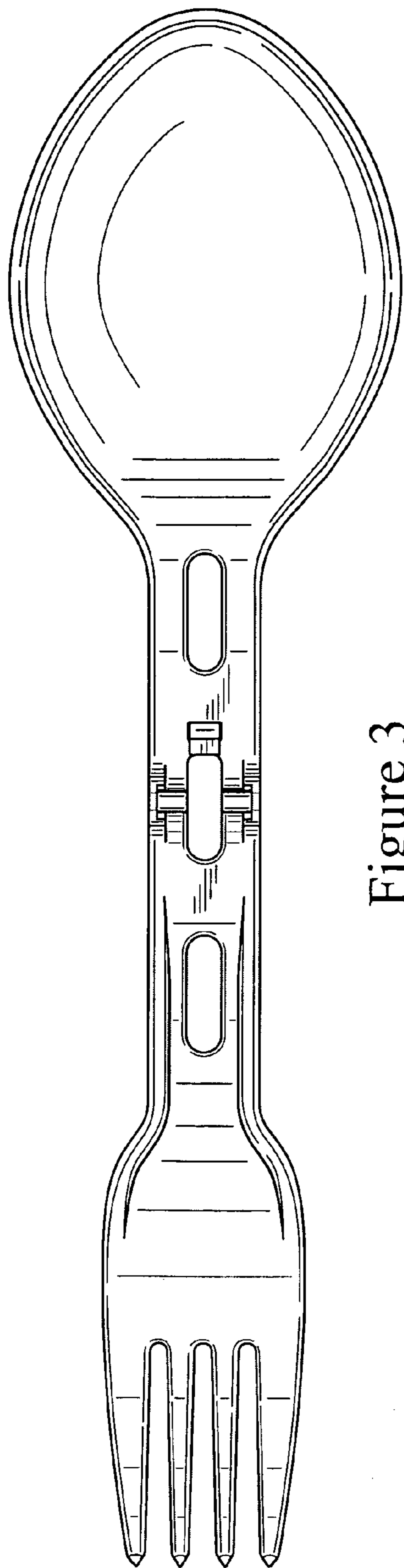


Figure 3

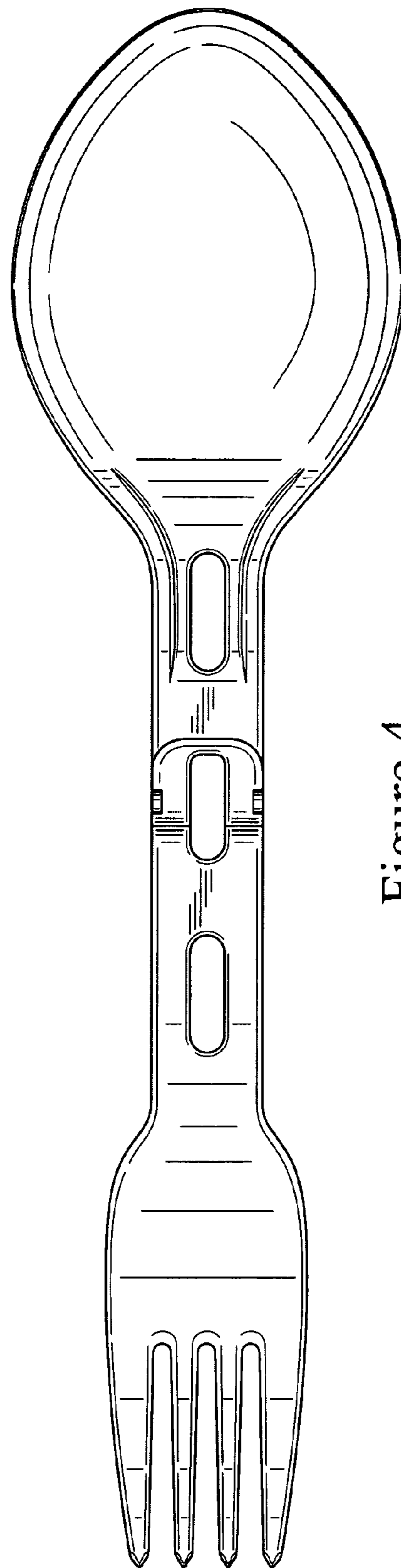


Figure 4

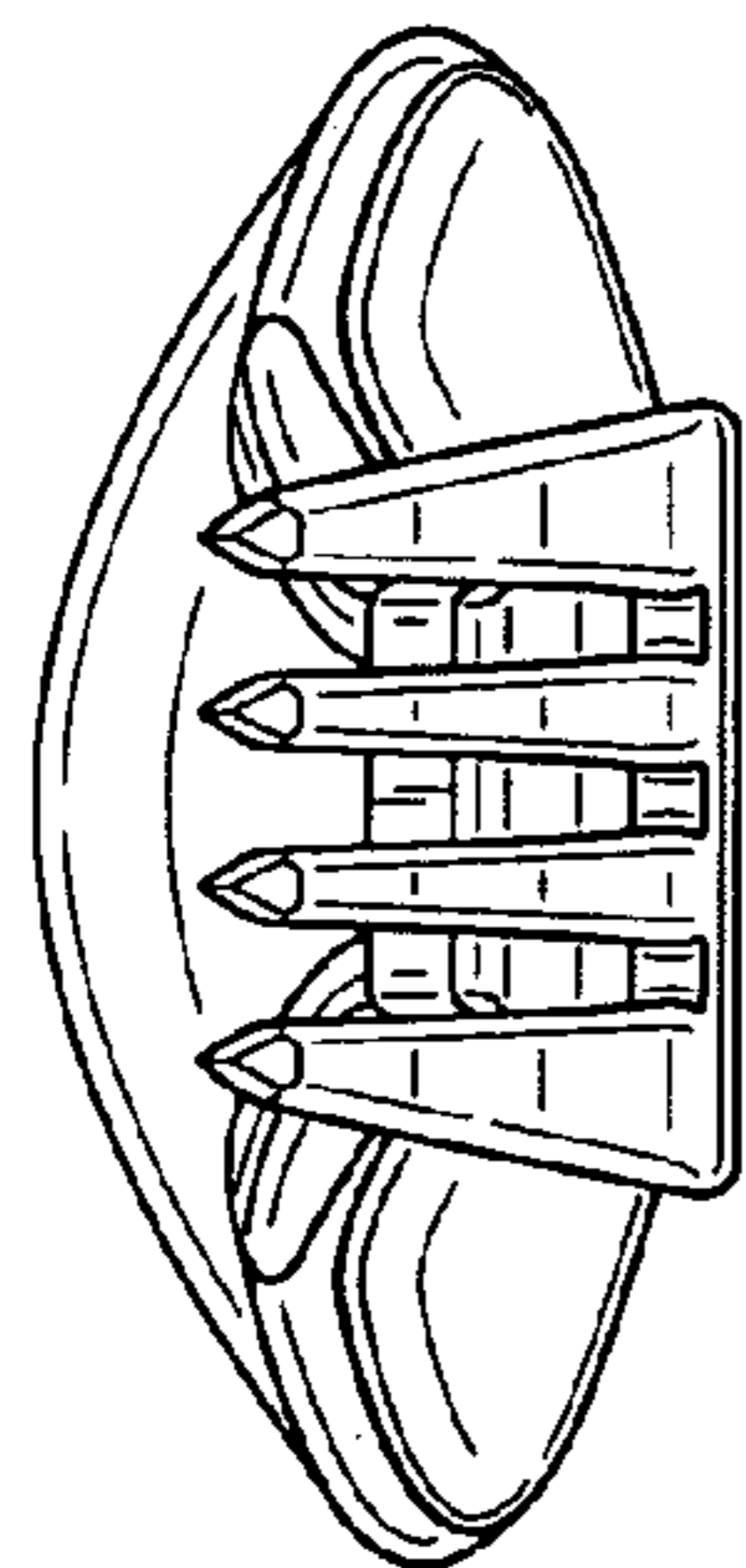


Figure 5

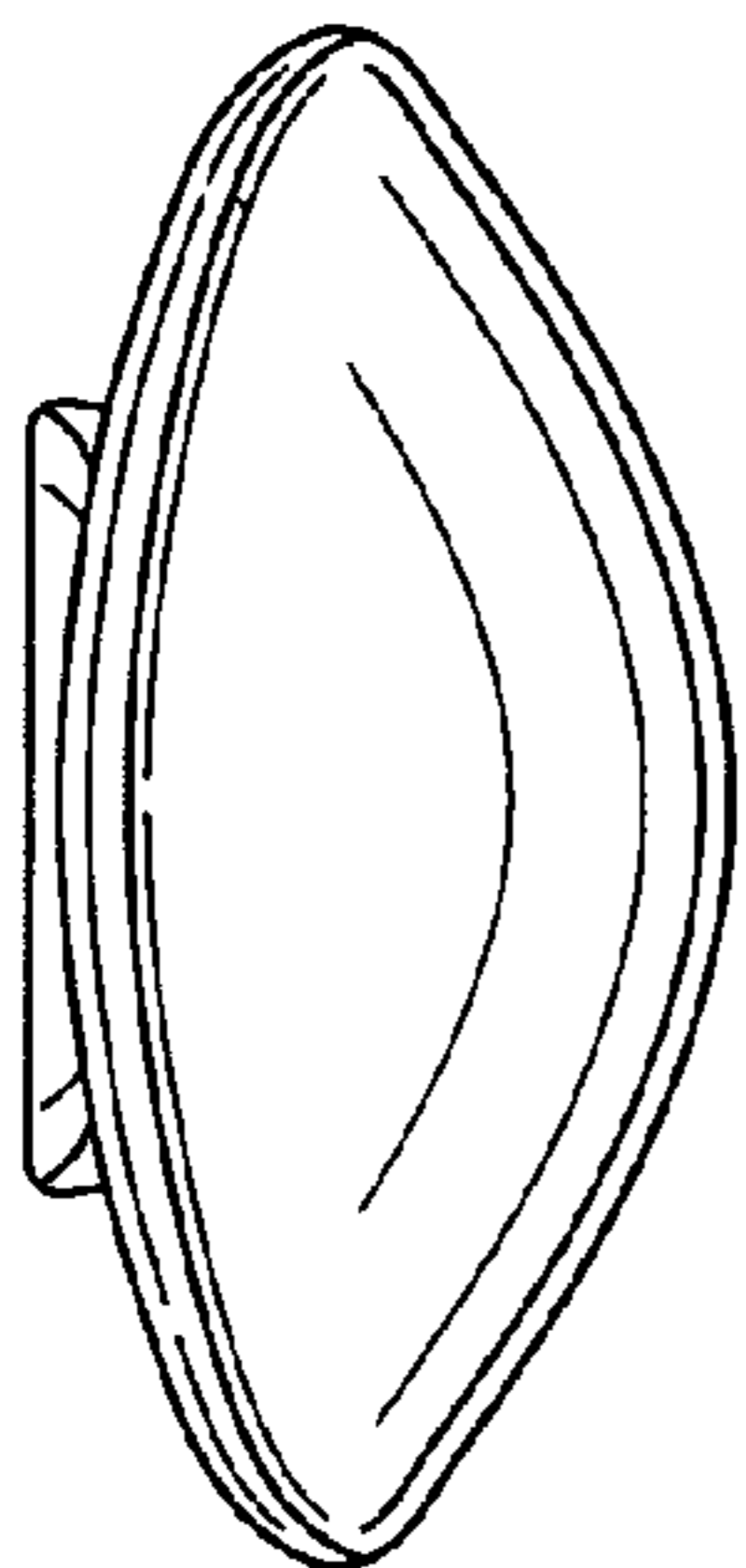


Figure 6

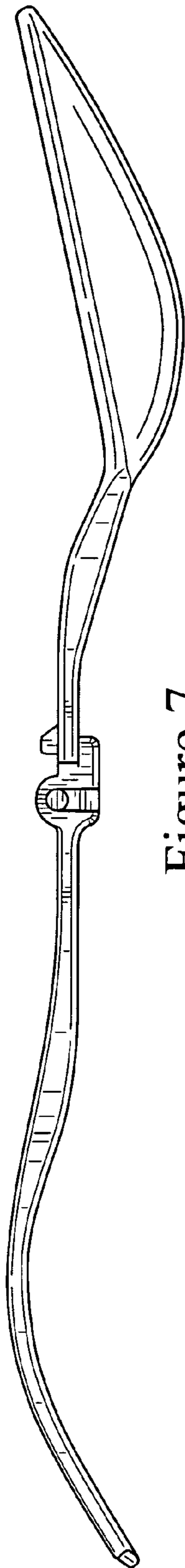


Figure 7

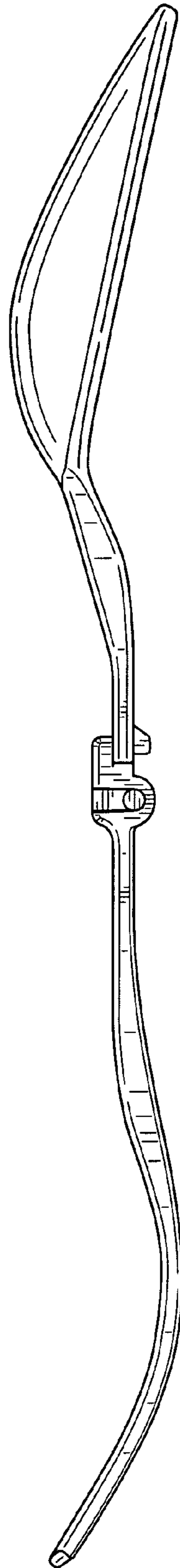


Figure 8

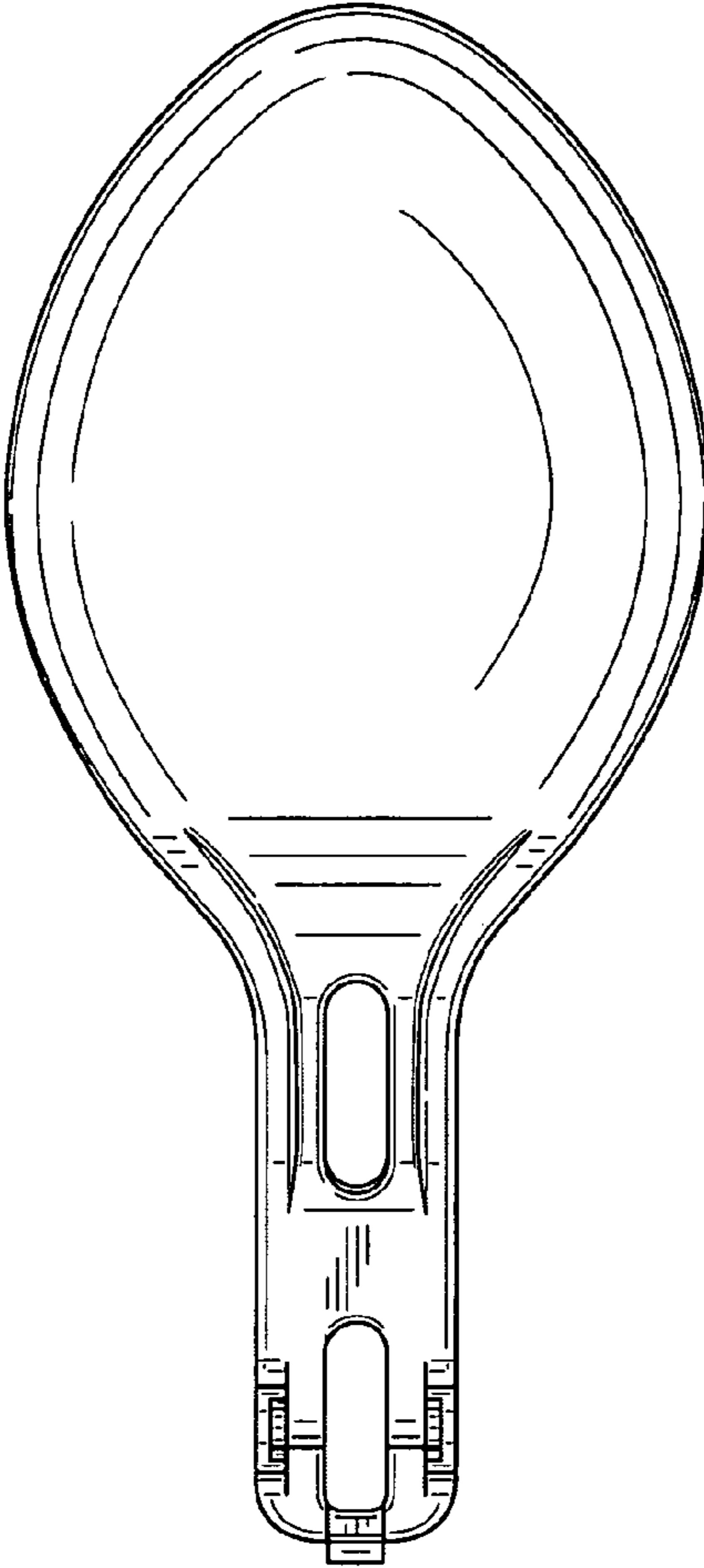


Figure 9

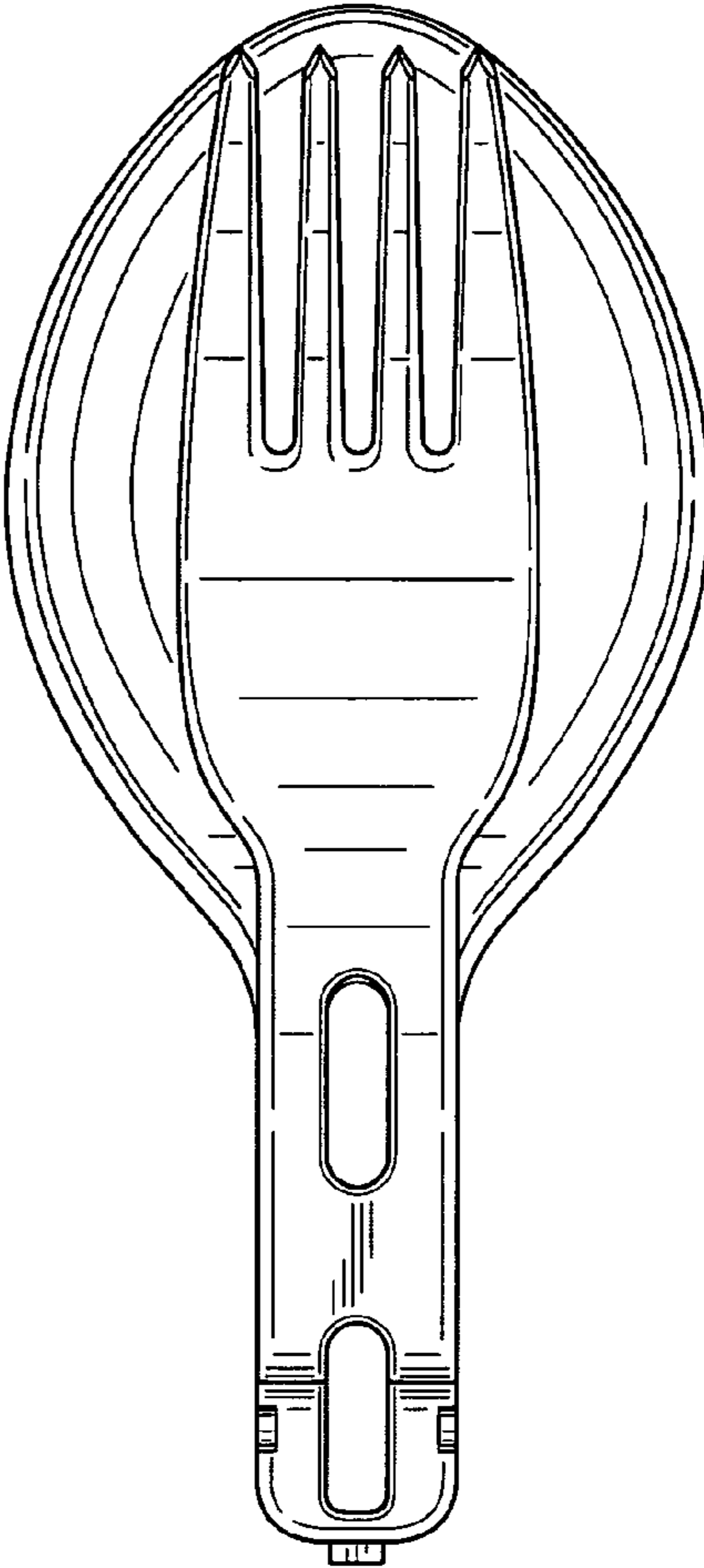


Figure 10

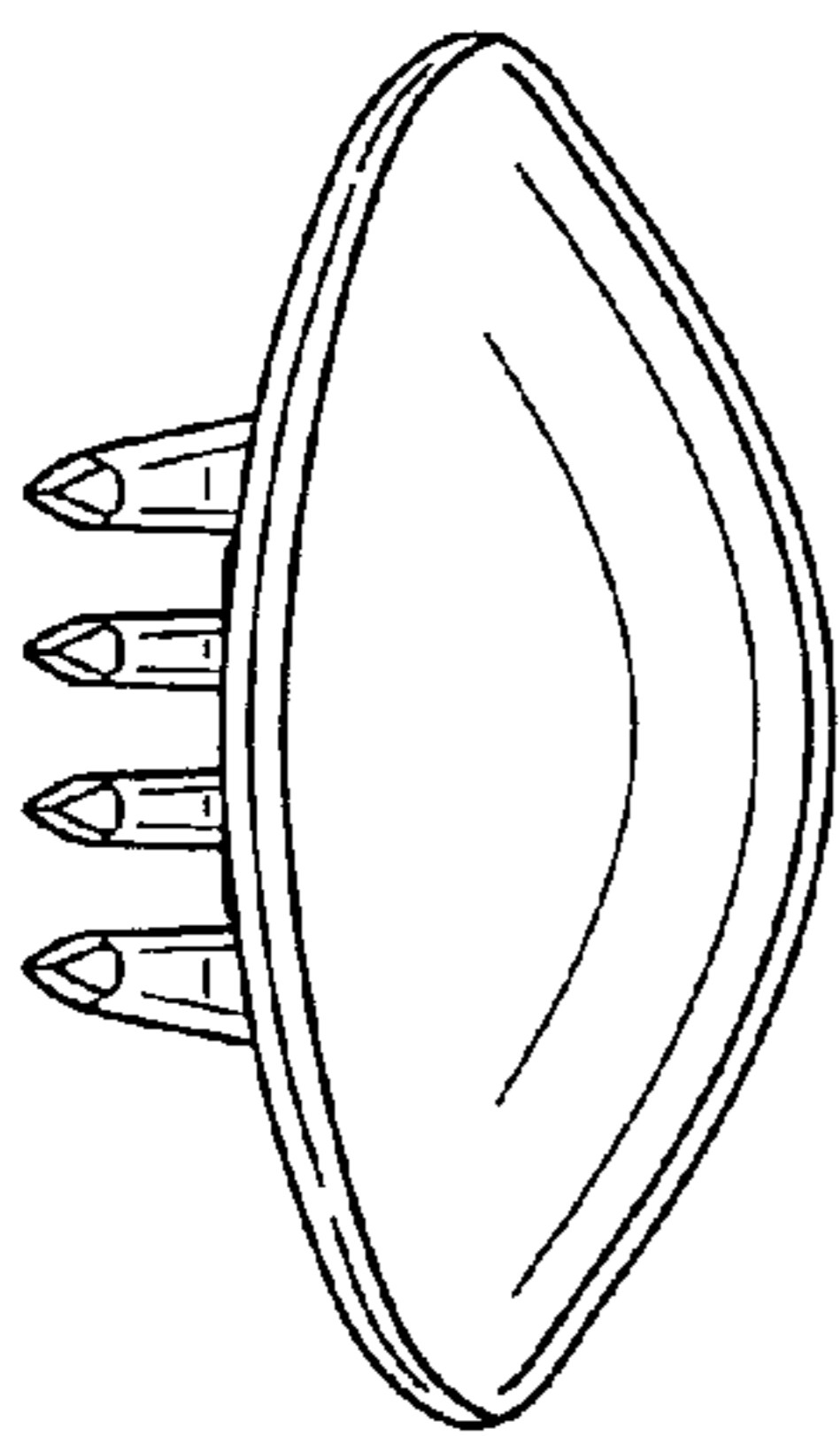


Figure 11

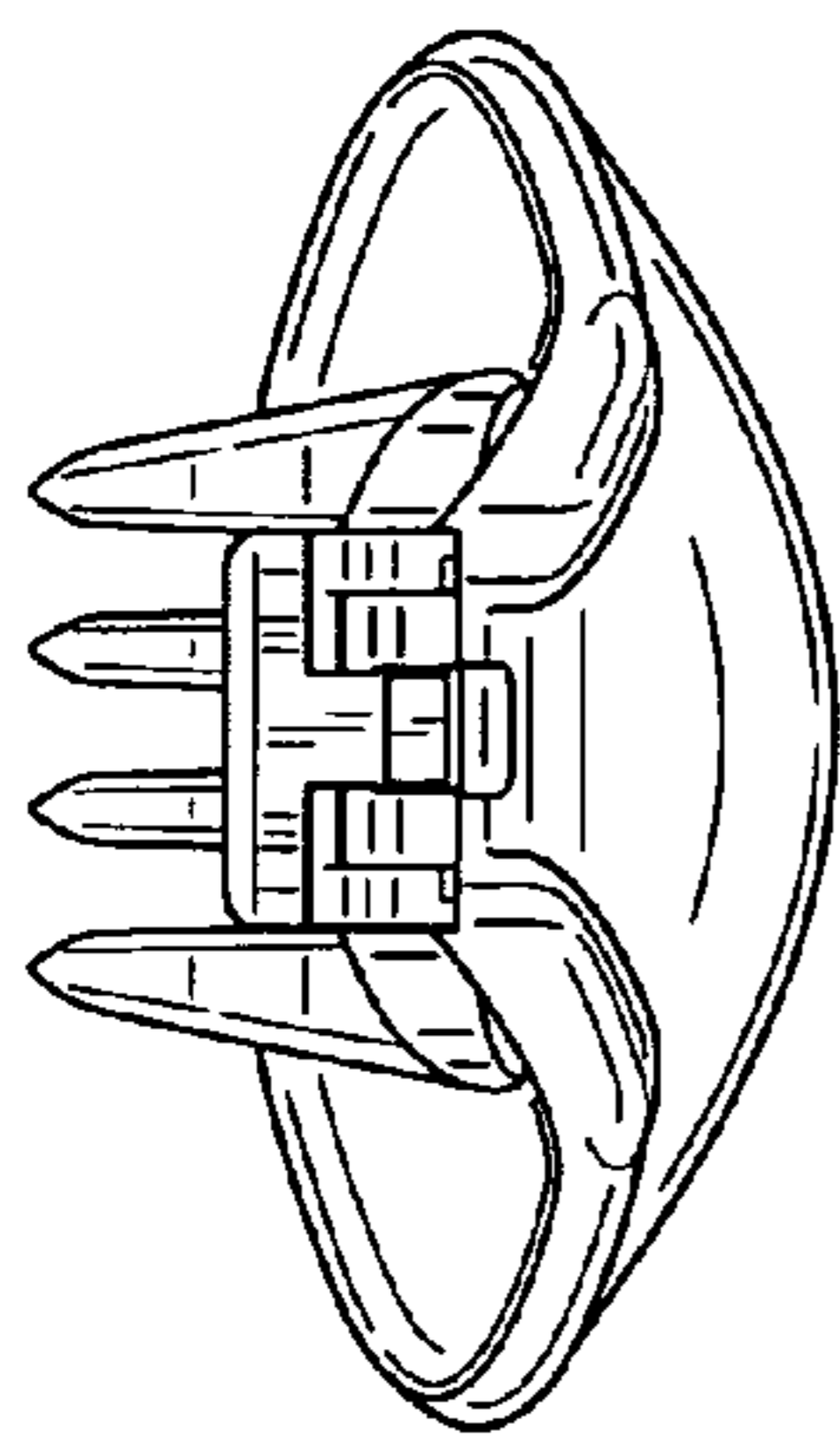


Figure 12

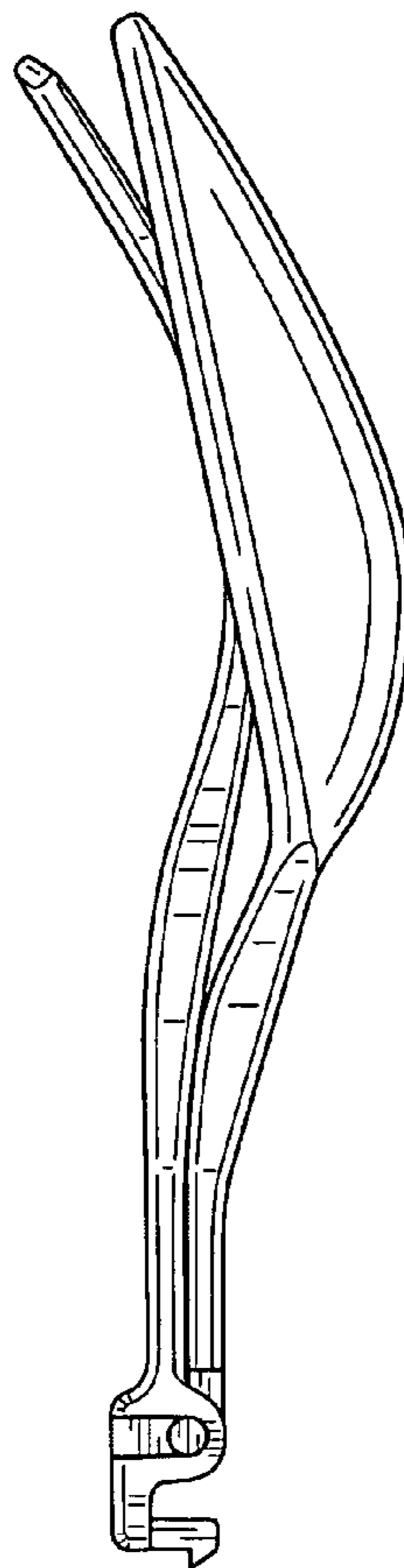


Figure 13

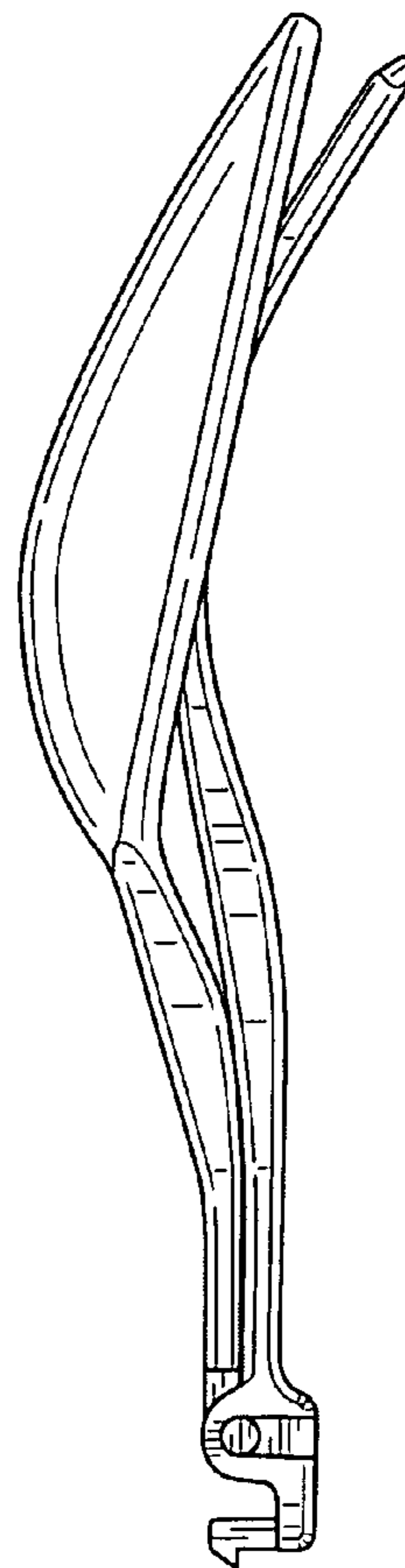


Figure 14