



US00D575584S

(12) **United States Design Patent**
Martin

(10) **Patent No.:** **US D575,584 S**

(45) **Date of Patent:** **** Aug. 26, 2008**

(54) **WRENCH-SHAPED VESSEL**

(75) Inventor: **Gary D. Martin**, Fort Worth, TX (US)

(73) Assignee: **Igloo's Frozen Drinks**, Fort Worth, TX (US)

(**) Term: **14 Years**

(21) Appl. No.: **29/295,229**

(22) Filed: **Sep. 24, 2007**

(51) **LOC (8) Cl.** **07-01**

(52) **U.S. Cl.** **D7/515; D7/509**

(58) **Field of Classification Search** D7/509,
D7/514, 515, 17, 520, 525; D11/240, 150,
D11/160; 427/266; 428/187; D9/679; 215/391,
215/43; 220/703; D8/25; 81/125, 177.1
See application file for complete search history.

(56) **References Cited**

U.S. PATENT DOCUMENTS

3,292,501	A *	12/1966	Verbeek	92/144
D226,573	S *	3/1973	Casad	D7/515
D302,225	S *	7/1989	Shapard	D7/524
5,620,112	A *	4/1997	Brown	220/703
D400,051	S *	10/1998	Miyagi	D7/524
D414,655	S *	10/1999	Schwarz	D7/514
D435,194	S *	12/2000	Betras	D7/511

D471,093	S *	3/2003	Thorne et al.	D9/641
D489,001	S *	4/2004	Martin	D9/668
6,810,774	B2 *	11/2004	Hsien	81/125
D530,220	S *	10/2006	Rubin	D9/679
D561,532	S *	2/2008	Martin	D7/515

* cited by examiner

Primary Examiner—Marianne Pandozzi

(74) *Attorney, Agent, or Firm*—Michael A. O'Neil

(57) **CLAIM**

The ornamental design for a wrench-shaped vessel, as shown and described.

DESCRIPTION

FIG. 1 is a perspective view of a wrench-shaped vessel showing my new design;

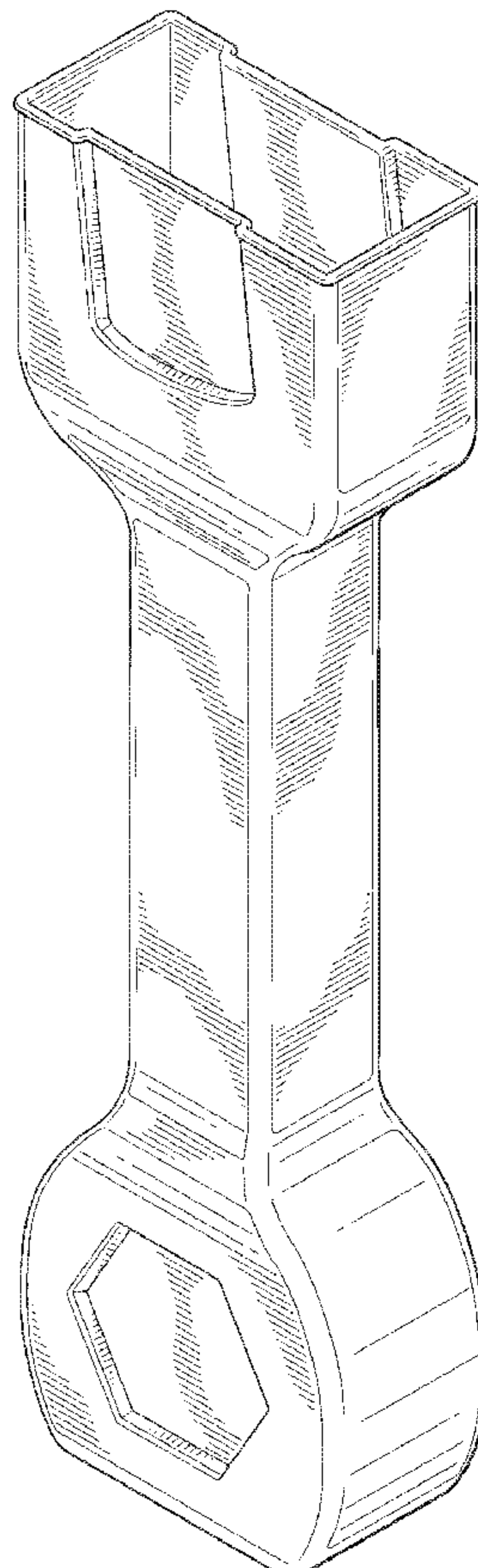
FIG. 2 is a front elevational view thereof, the rear view being a mirror image of the front;

FIG. 3 is a right side view of the wrench-shaped vessel of FIG. 1;

FIG. 4 is a top view of the wrench-shaped vessel of FIG. 1; and,

FIG. 5 is a bottom view of the wrench-shaped vessel of FIG. 1.

1 Claim, 2 Drawing Sheets



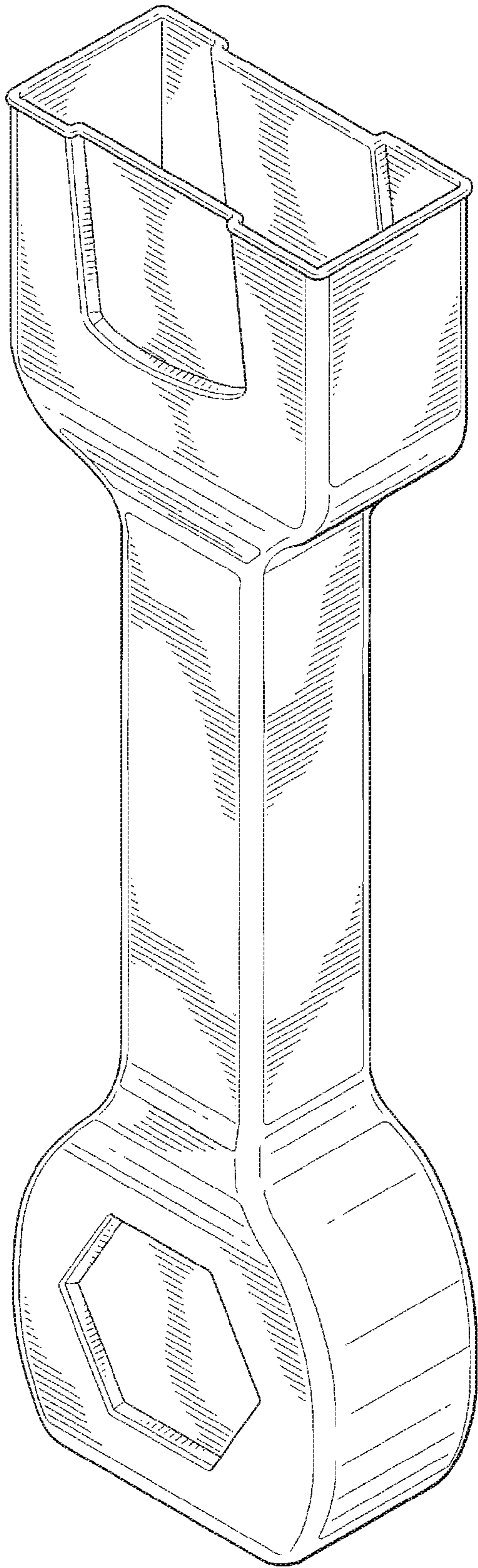


FIG. 1

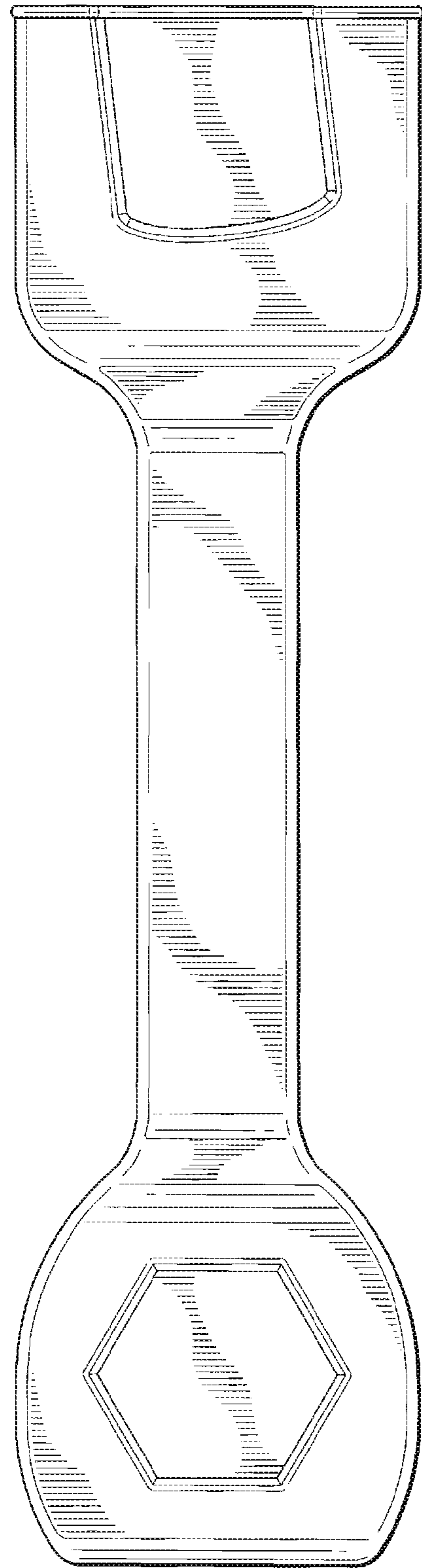


FIG. 2

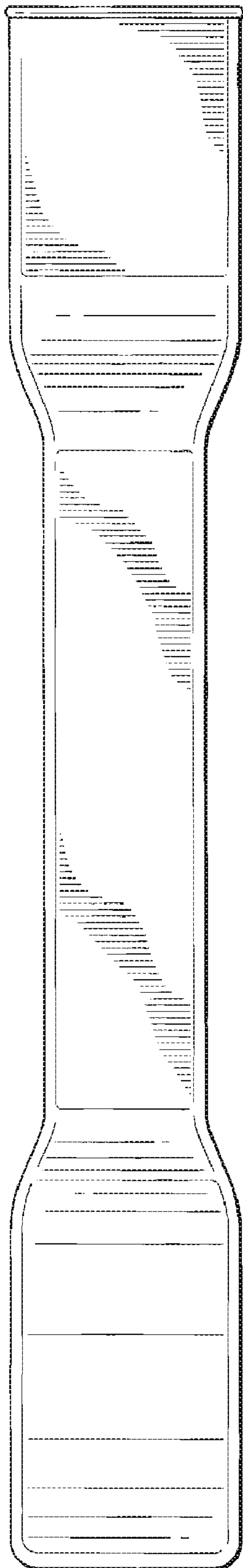


FIG. 3

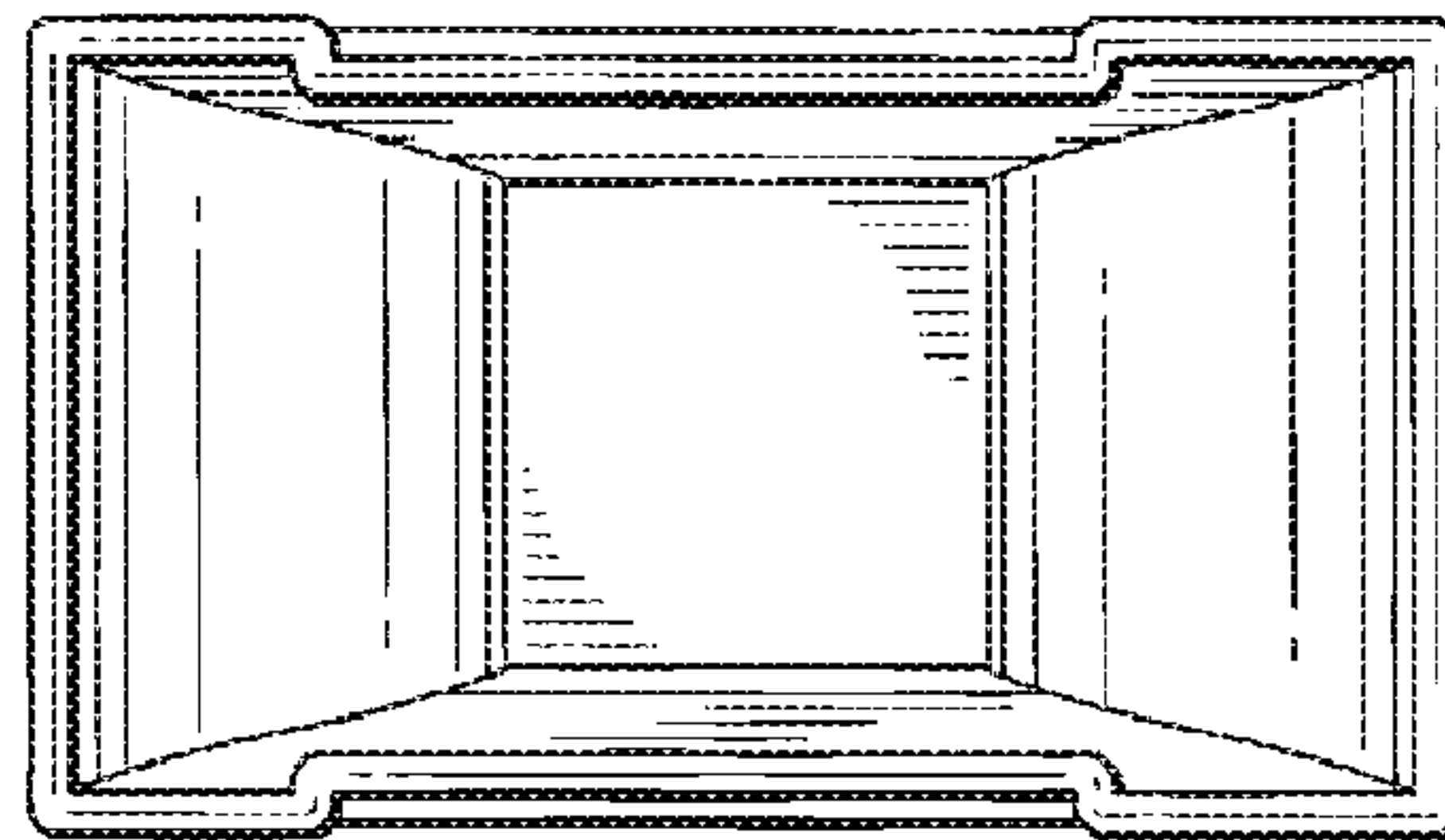


FIG. 4

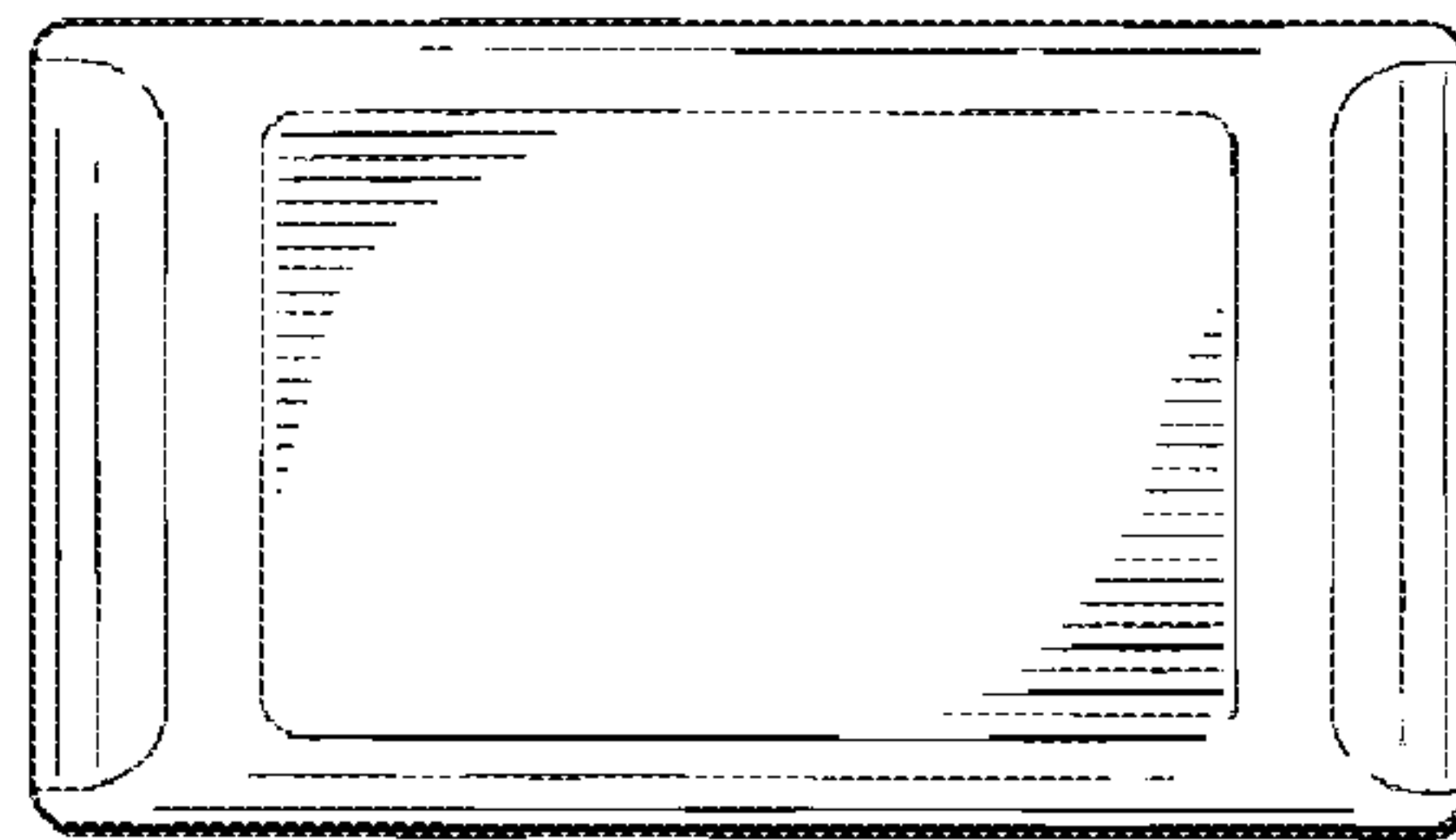


FIG. 5