



US00D575579S

(12) **United States Design Patent**  
**Ball**

(10) **Patent No.:** **US D575,579 S**

(45) **Date of Patent:** **\*\* Aug. 26, 2008**

(54) **SLOW COOKER**

(75) Inventor: **Alan D. Ball**, Somerville, MA (US)

(73) Assignee: **Conair Corporation**, Stamford, CT (US)

(\*\*) Term: **14 Years**

(21) Appl. No.: **29/299,985**

(22) Filed: **Jan. 8, 2008**

(51) **LOC (8) Cl.** ..... **07-02**

(52) **U.S. Cl.** ..... **D7/360**

(58) **Field of Classification Search** ..... D7/323,  
D7/337, 354-361, 378, 384, 545, 560; 99/324-325,  
99/340, 347, 403, 410-413, 419; 219/401,  
219/440-441; 220/573.1, 912

See application file for complete search history.

(56) **References Cited**

**U.S. PATENT DOCUMENTS**

D115,168 S *	6/1939	Hadley	.....	D7/360
D152,042 S *	12/1948	Sundberg et al.	.....	D7/360
D420,246 S *	2/2000	Alonge et al.	.....	D7/360
D420,247 S *	2/2000	Kaney et al.	.....	D7/360
D425,360 S *	5/2000	Dobson et al.	.....	D7/360
D429,596 S *	8/2000	Hlava et al.	.....	D7/360
D451,335 S *	12/2001	Rossmann	.....	D7/360
D511,643 S *	11/2005	Ball et al.	.....	D7/360
D522,308 S *	6/2006	Ball et al.	.....	D7/360

D537,670 S *	3/2007	Genslak et al.	.....	D7/354
D542,095 S *	5/2007	Orent et al.	.....	D7/560
D556,504 S *	12/2007	Averty	.....	D7/360

**FOREIGN PATENT DOCUMENTS**

WO WO 2005004678 A2 \* 1/2005

**OTHER PUBLICATIONS**

Williams-Sonoma Fall 2001, Stainless Steel Slow Cooker, p. 22.\*  
Kitchen Kapers Holiday 2006, Cuisinart 6.5 Quart Slow Cooker, p. 19.\*

\* cited by examiner

*Primary Examiner*—Caron D. Veynar

*Assistant Examiner*—Ricky Pham

(74) *Attorney, Agent, or Firm*—Lawrence Cruz

(57) **CLAIM**

The ornamental design for a slow cooker, as shown.

**DESCRIPTION**

FIG. 1 is a perspective view of a slow cooker, according to the present invention.

FIG. 2 is a front view of the slow cooker;

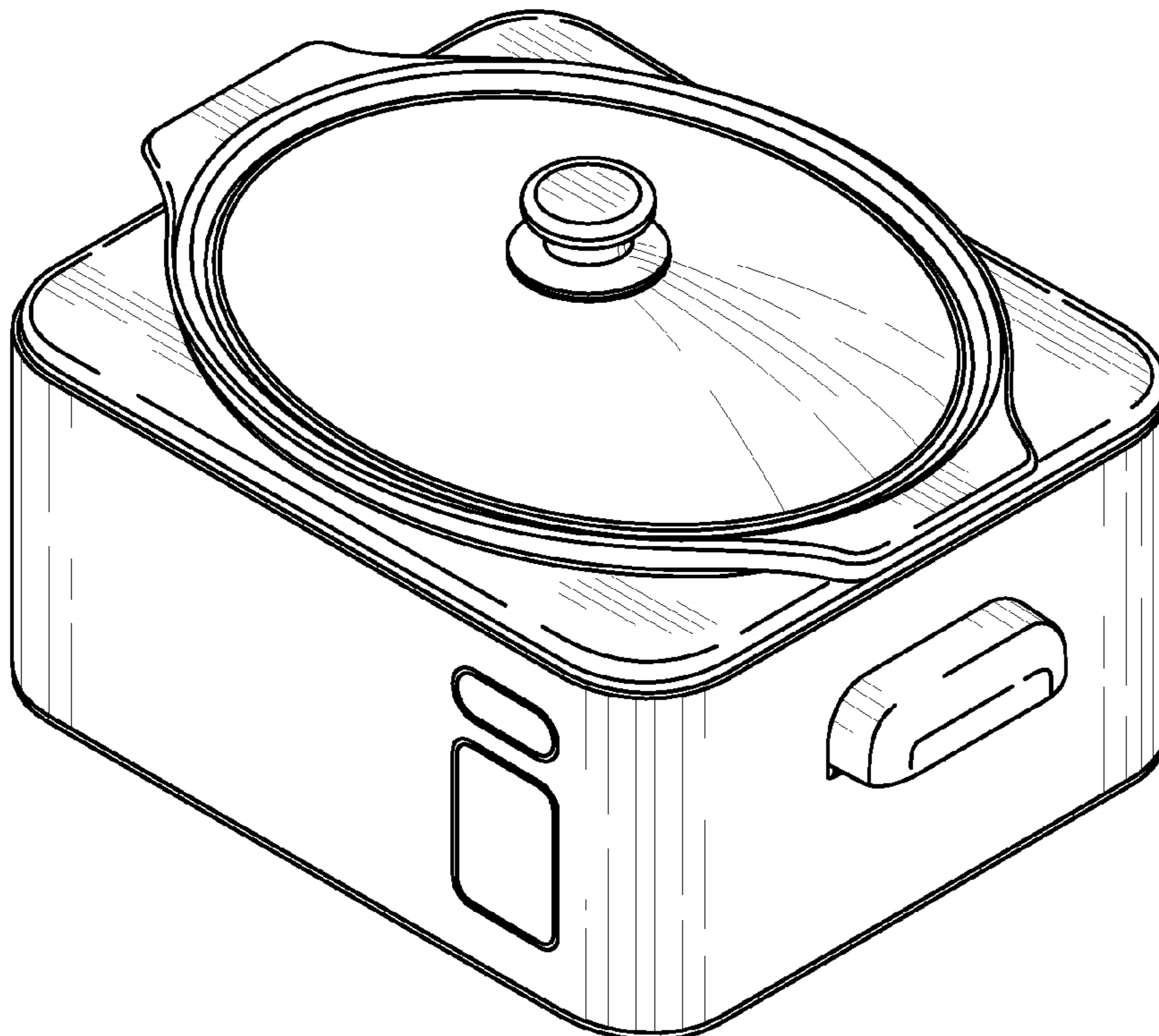
FIG. 3 is a back view thereof;

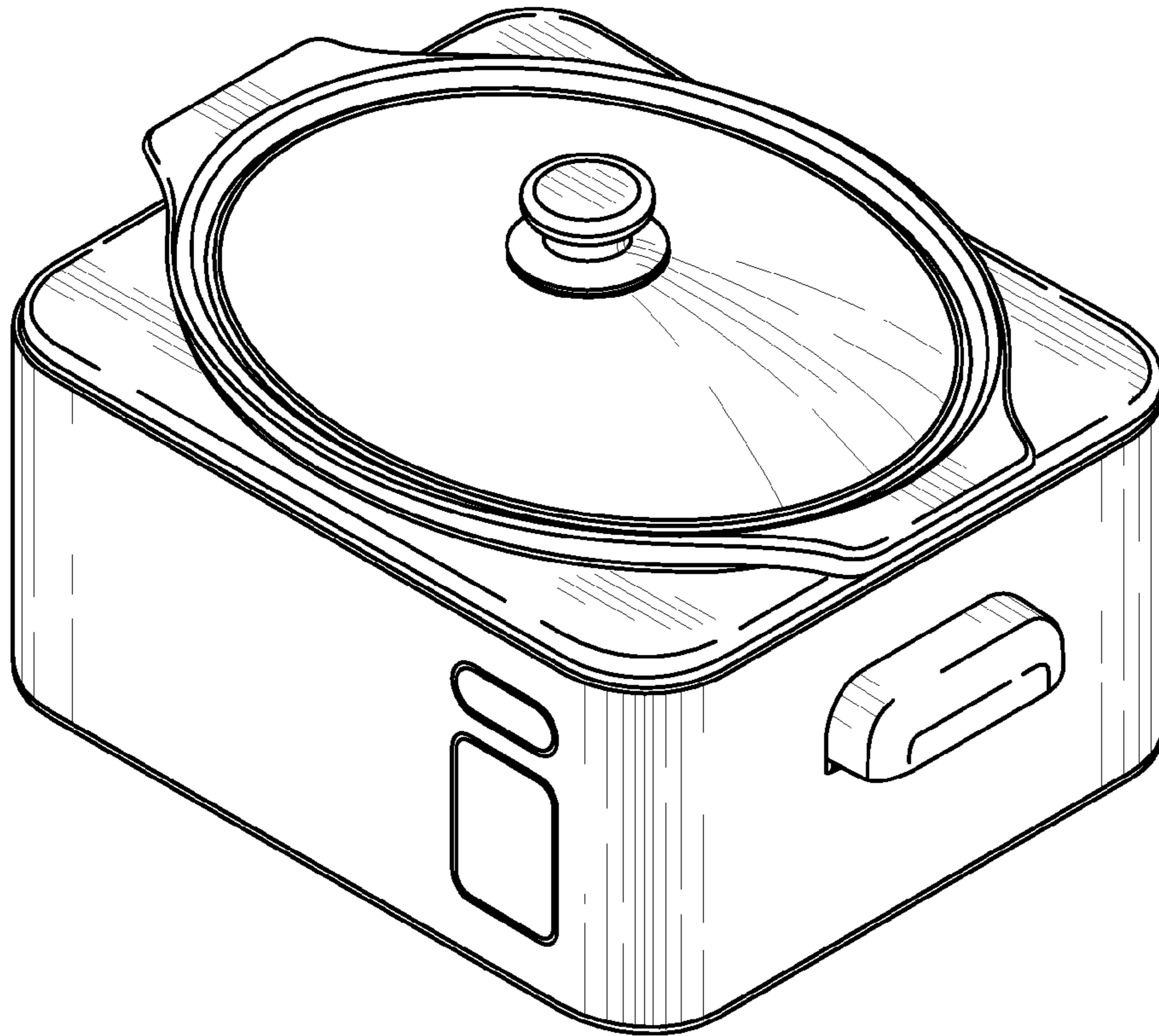
FIG. 4 is a side view thereof;

FIG. 5 is top view thereof; and,

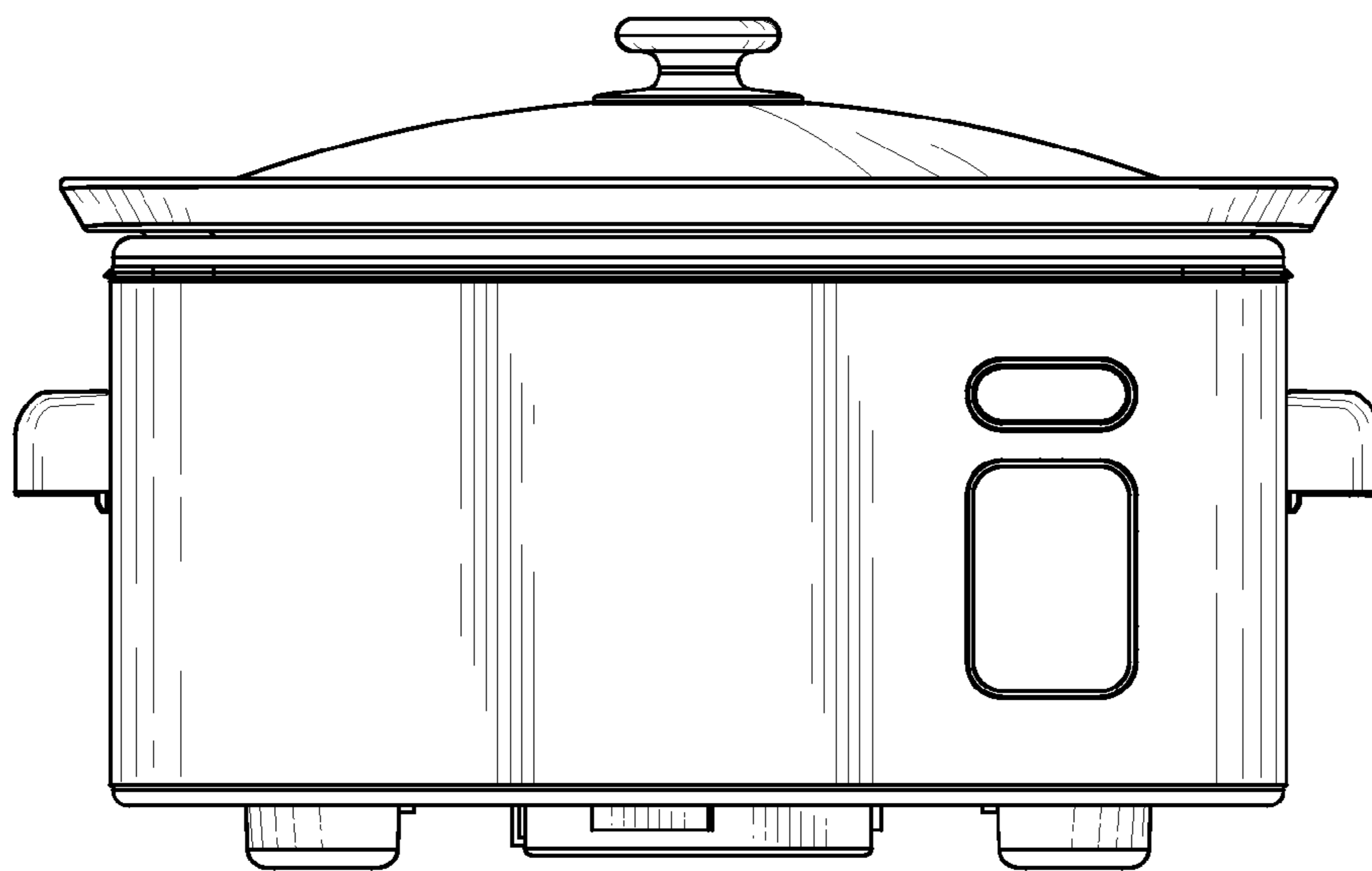
FIG. 6 is a bottom view thereof.

**1 Claim, 3 Drawing Sheets**

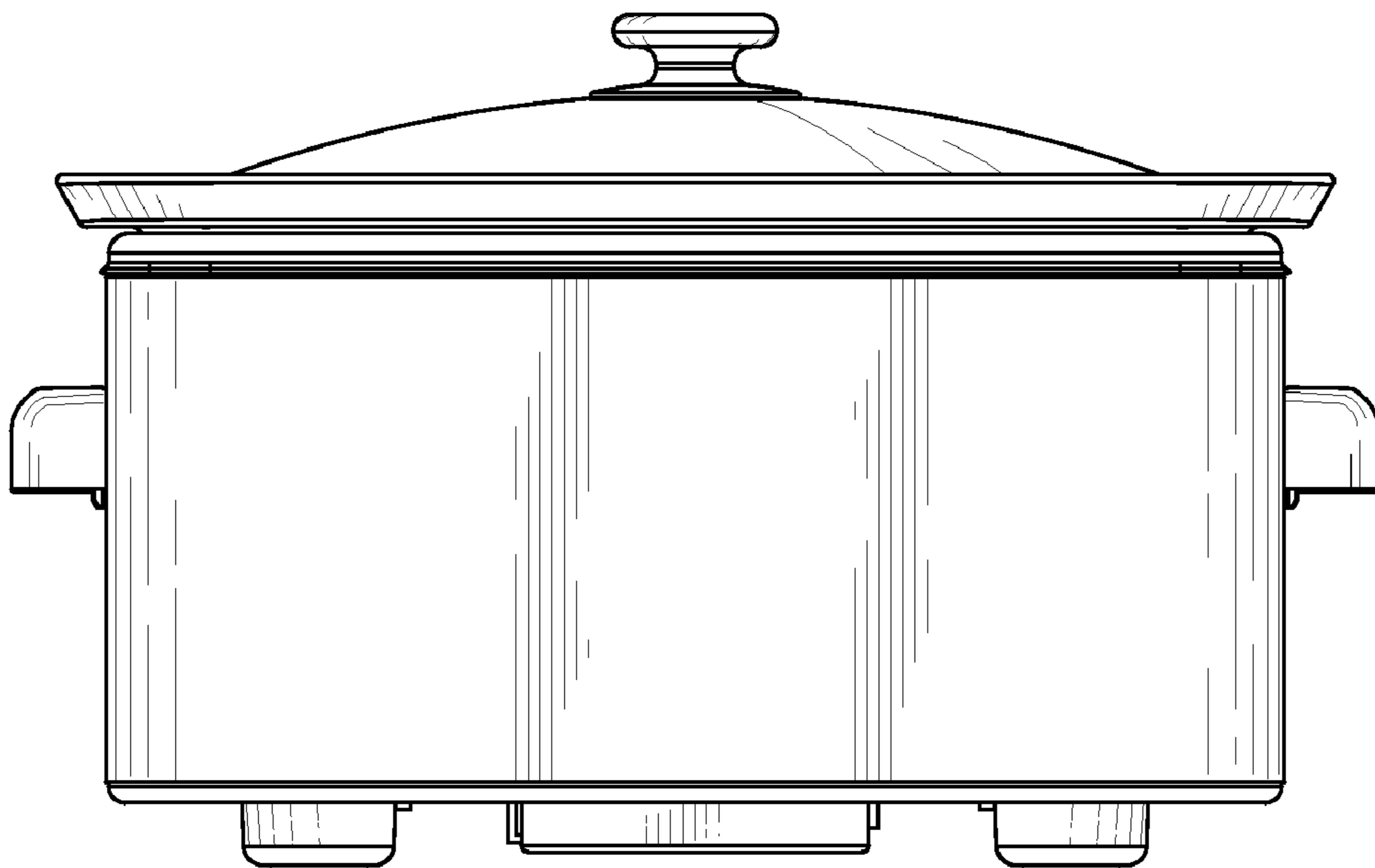




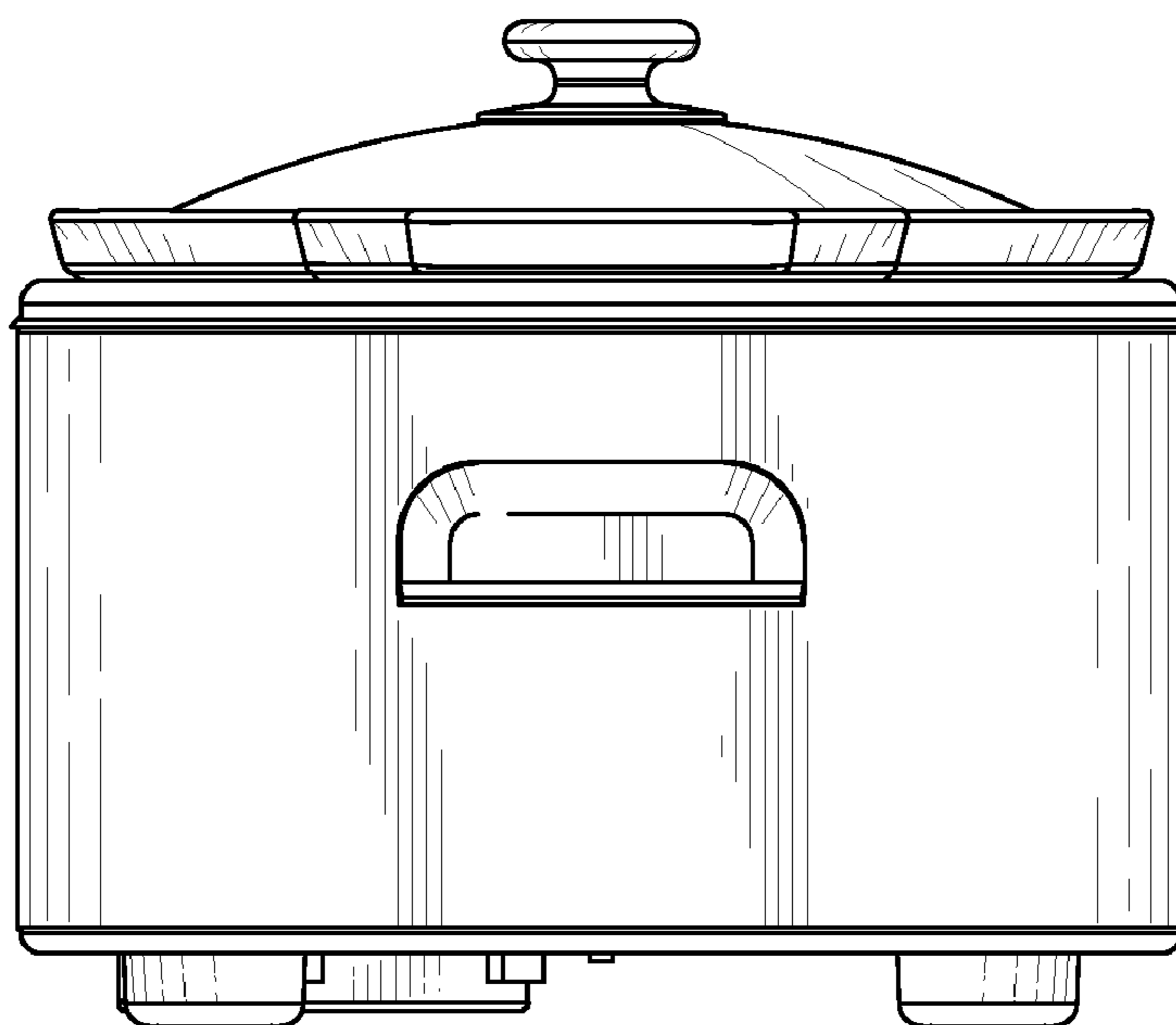
**FIG. 1**



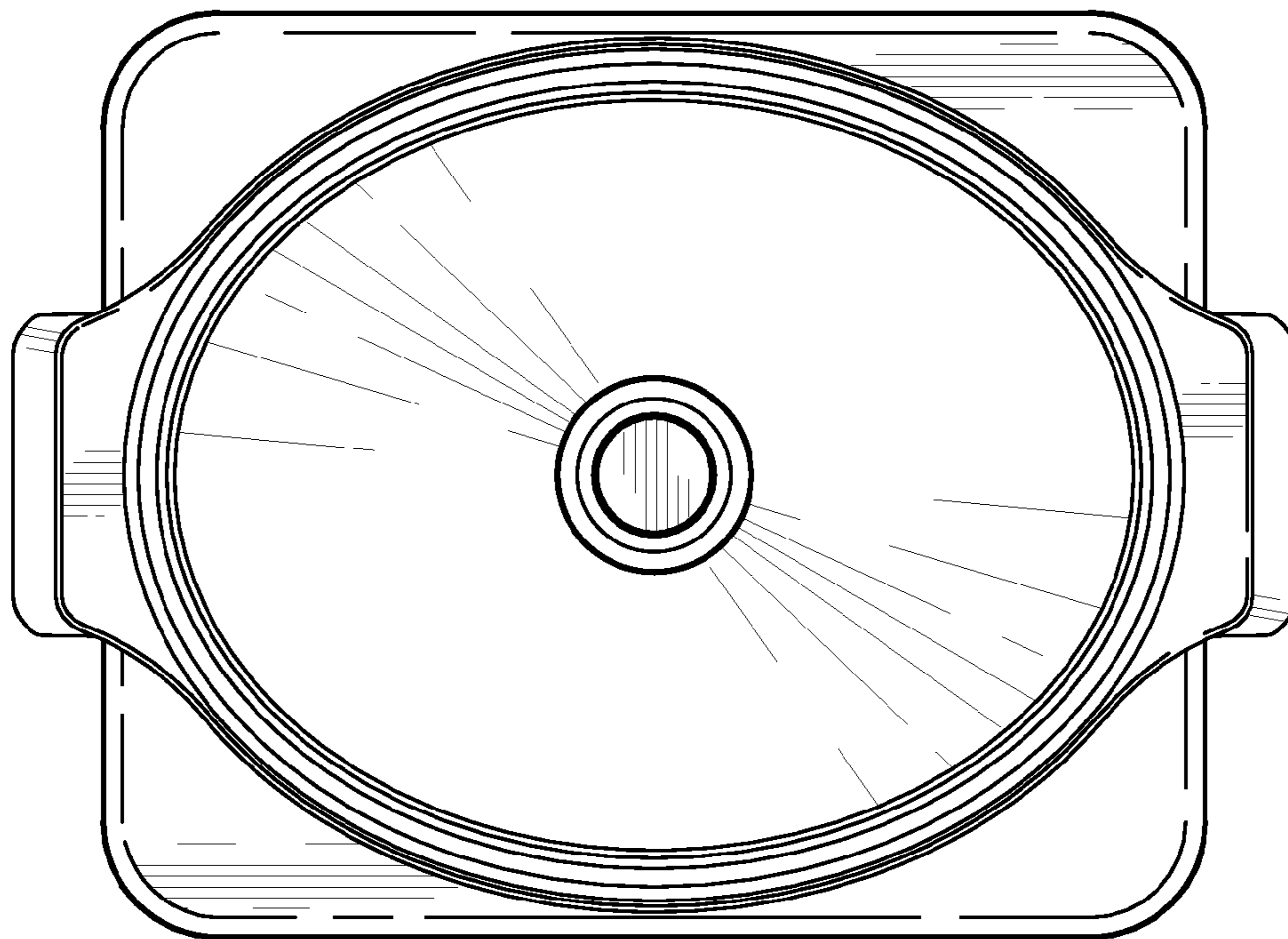
**FIG. 2**



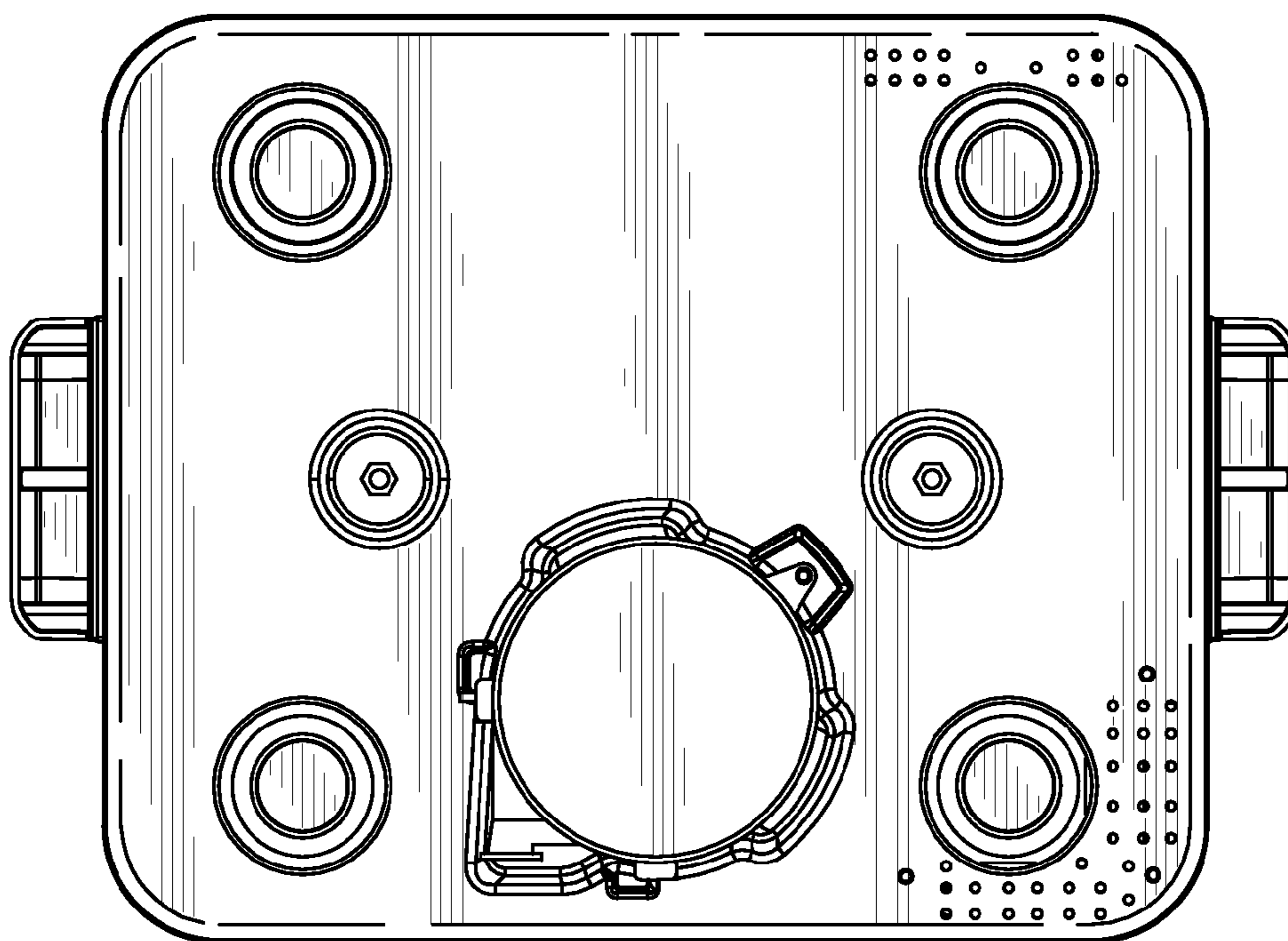
**FIG. 3**



**FIG. 4**



**FIG. 5**



**FIG. 6**