



US00D575571S

(12) **United States Design Patent**
Hammad et al.

(10) **Patent No.:** **US D575,571 S**
(45) **Date of Patent:** **** Aug. 26, 2008**

(54) **ESPRESSO MAKER WITH ACCENTS**

(75) Inventors: **Jamal Hammad**, Boynton Beach, FL
(US); **Kenneth Parker**, Delray Beach,
FL (US)

(73) Assignee: **Sunbeam Products, Inc.**, Boca Raton,
FL (US)

(**) Term: **14 Years**

(21) Appl. No.: **29/271,937**

(22) Filed: **Jan. 29, 2007**

(51) **LOC (8) Cl.** **07-01**

(52) **U.S. Cl.** **D7/309; D7/300**

(58) **Field of Classification Search** D7/300,
D7/306, 307, 309, 310, 311, 387, 397, 399;
99/281, 282, 286, 279, 292, 293, 304, 323.1
See application file for complete search history.

(56) **References Cited**

U.S. PATENT DOCUMENTS

D212,317 S *	9/1968	Hausam	D7/309
D245,163 S *	7/1977	George	D7/309
D268,977 S *	5/1983	Marotta	D7/309
4,406,942 A *	9/1983	Lo Conti	219/433
4,478,139 A *	10/1984	Zimmerman	99/280
D287,212 S *	12/1986	Daugherty	D7/309

D291,766 S *	9/1987	Steinkamp et al.	D7/309
D292,468 S *	10/1987	Ryan, Jr.	D7/309
D297,697 S *	9/1988	Fossella	D7/311
D316,795 S *	5/1991	Brewer	D7/308
7,104,184 B2 *	9/2006	Biderman et al.	99/282

* cited by examiner

Primary Examiner—Philip Hyder
Assistant Examiner—Cynthia Underwood
(74) *Attorney, Agent, or Firm*—Seth Blum

(57) **CLAIM**

The ornamental design for an espresso maker with accents, as shown and described.

DESCRIPTION

FIG. 1 is a top left front perspective view of a espresso maker with accents

FIG. 2 is a left side elevation view thereof;

FIG. 3 is a front view thereof;

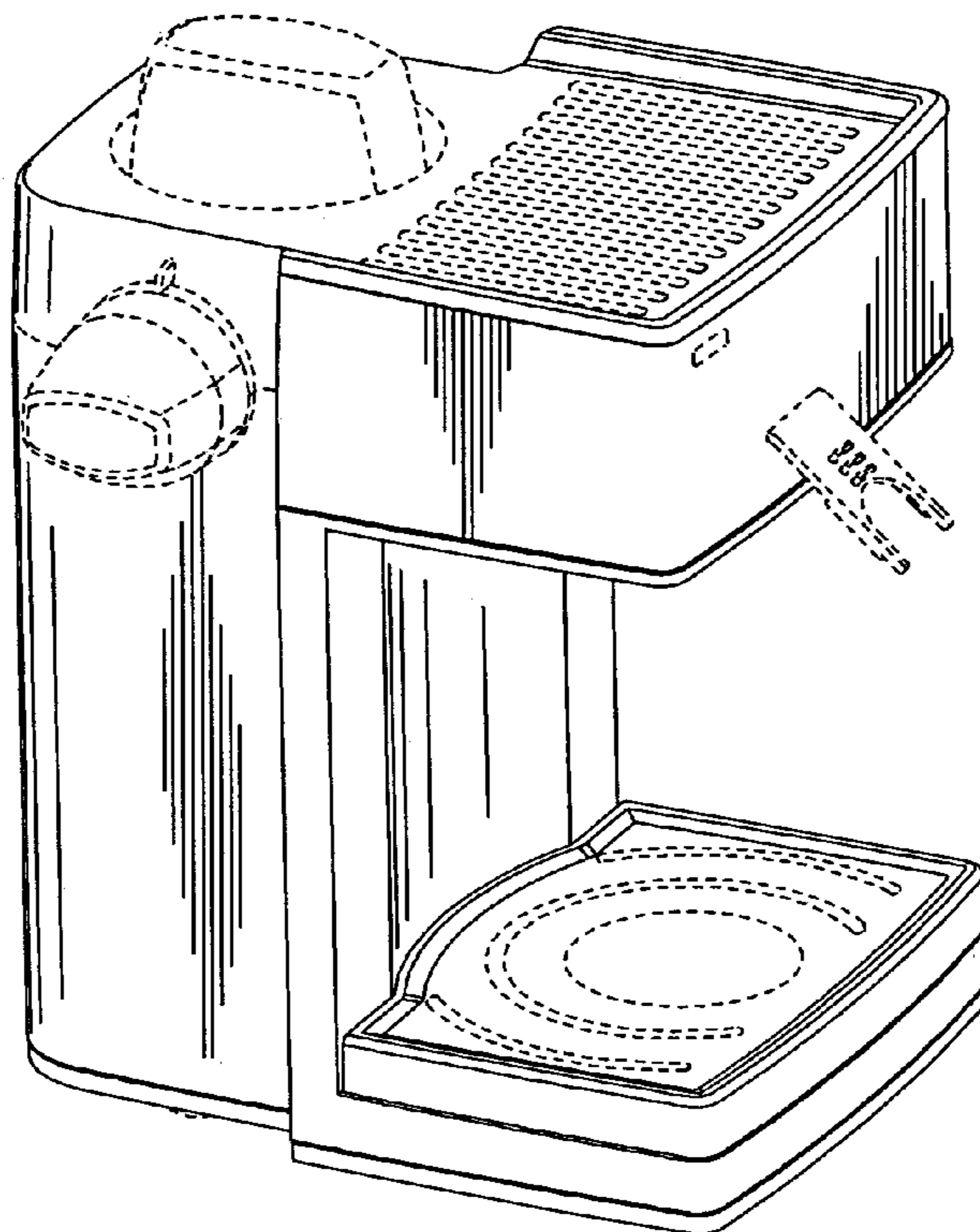
FIG. 4 is a right side elevation view thereof;

FIG. 5 is a rear view thereof; and,

FIG. 6 is a top plan view thereof.

The broken line showing portions of the espresso maker is included for the purpose of illustrating environmental structure and forms no part of the claimed design.

1 Claim, 6 Drawing Sheets



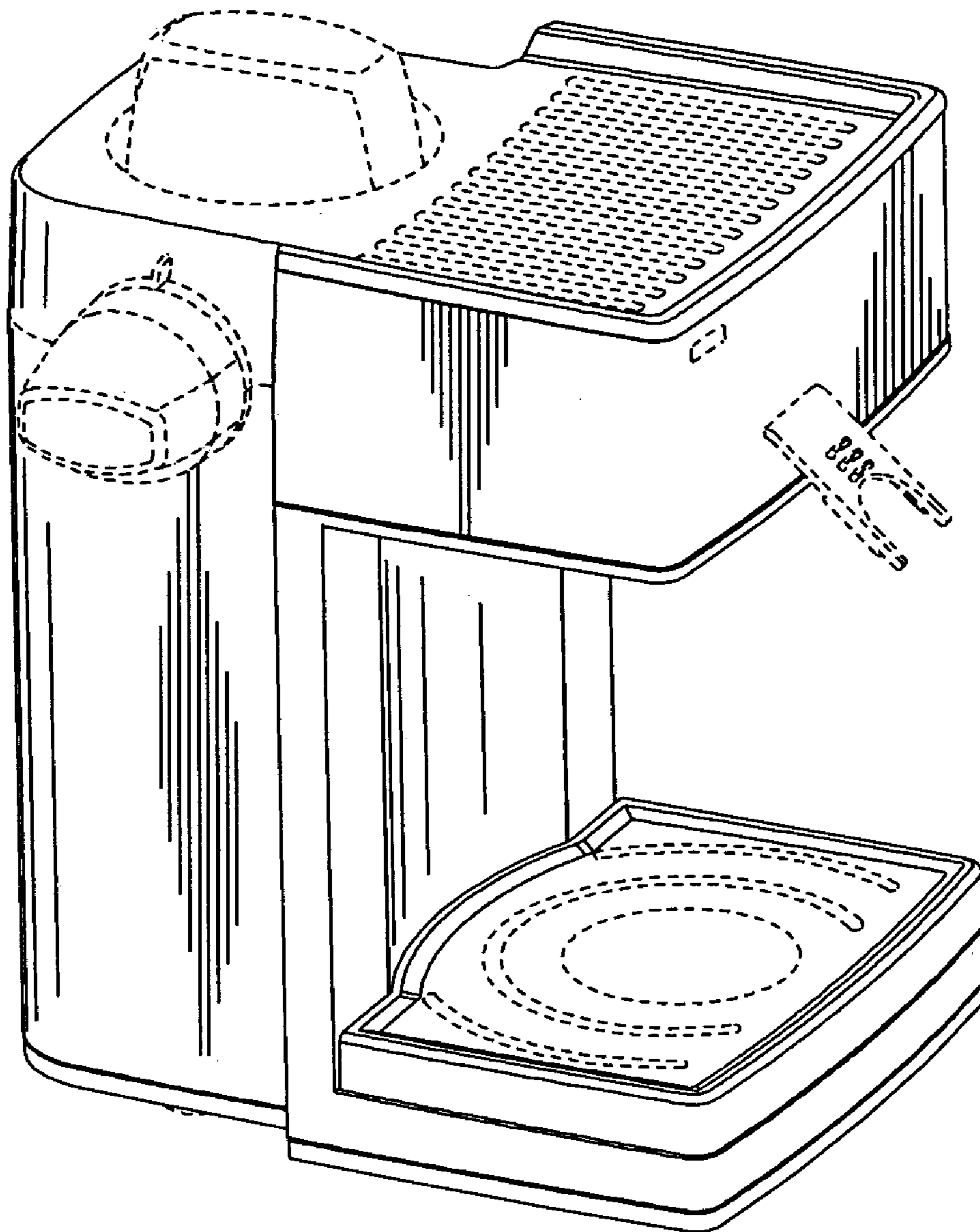


FIG 1

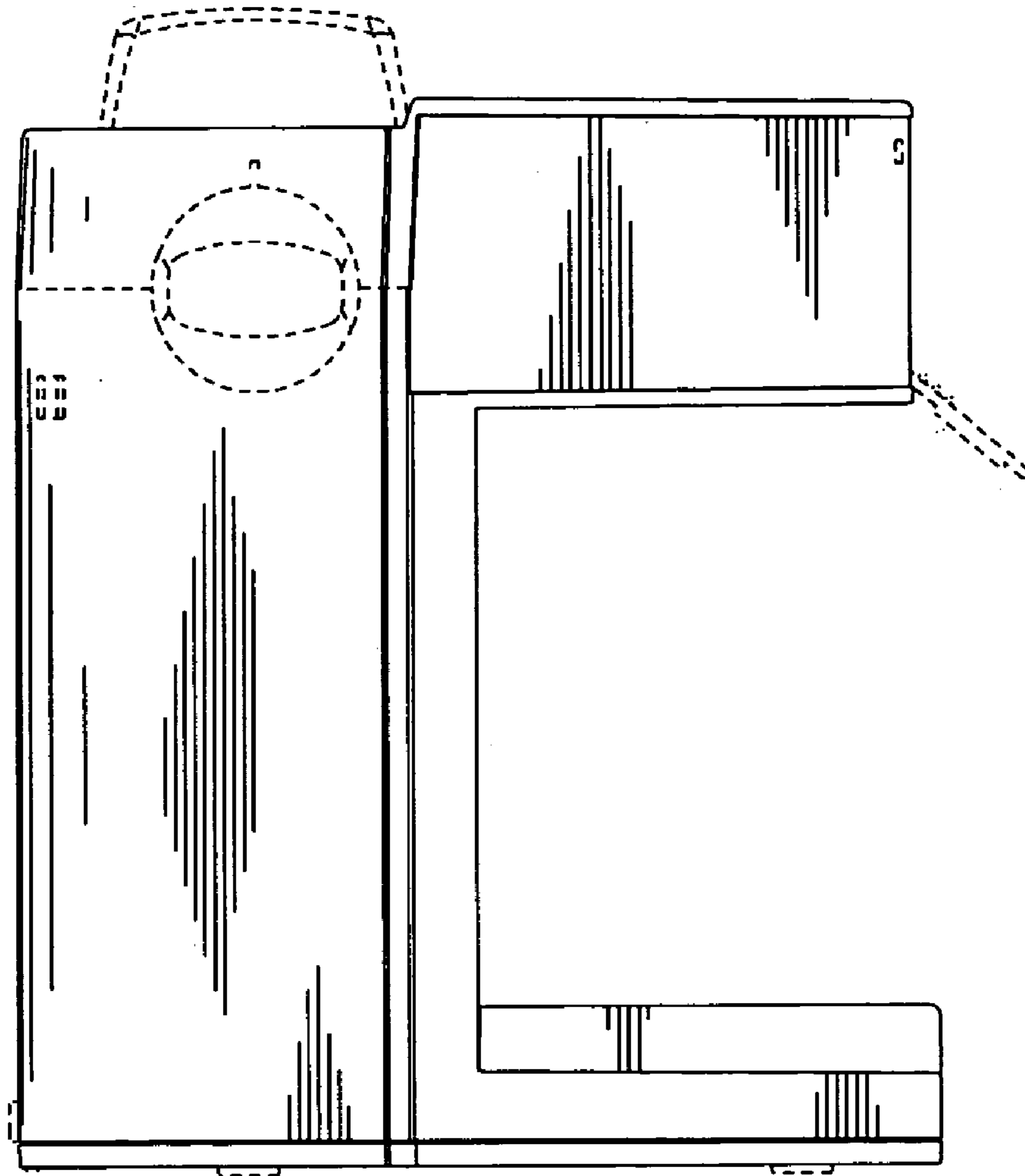


FIG 2

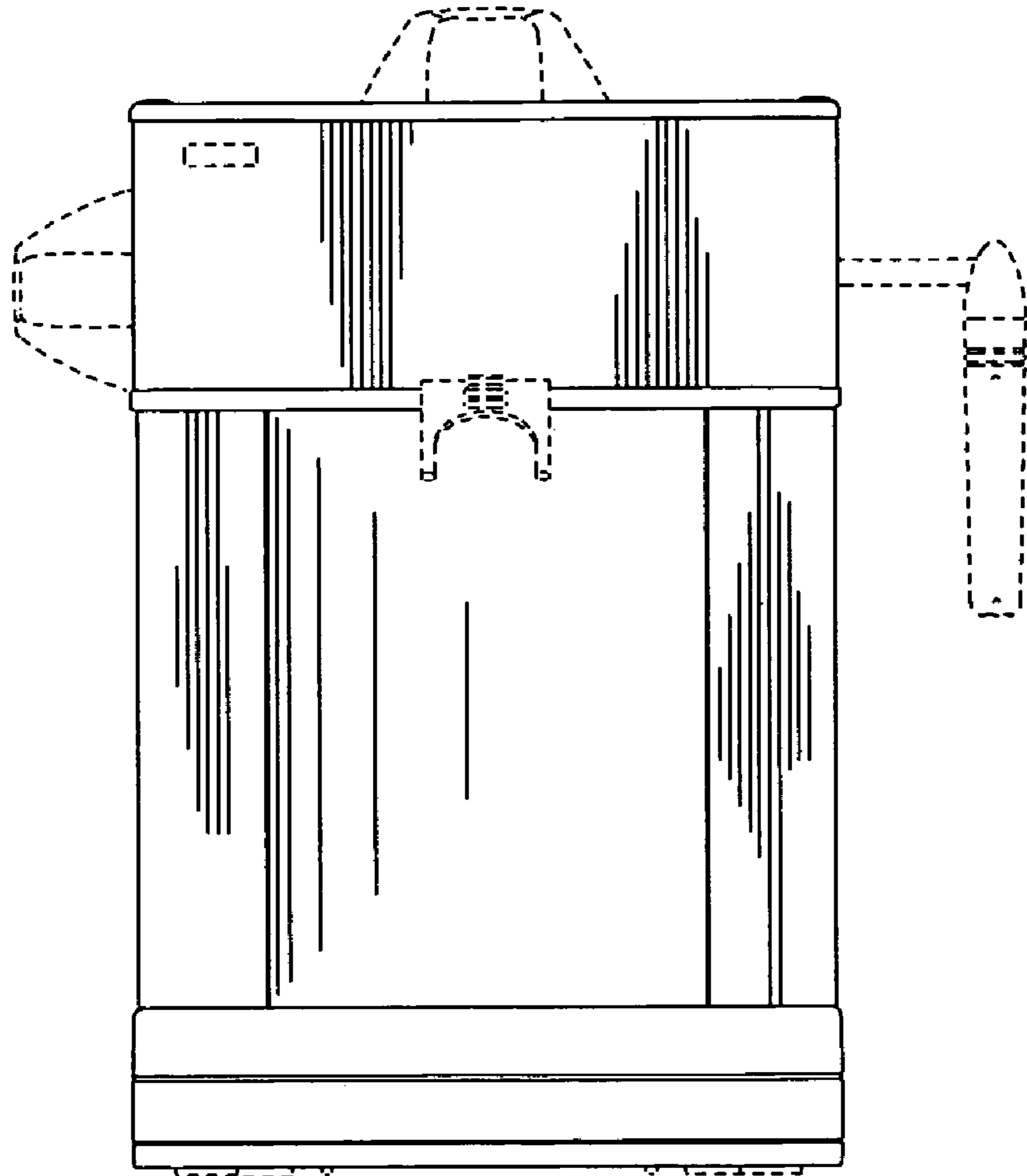


FIG 3

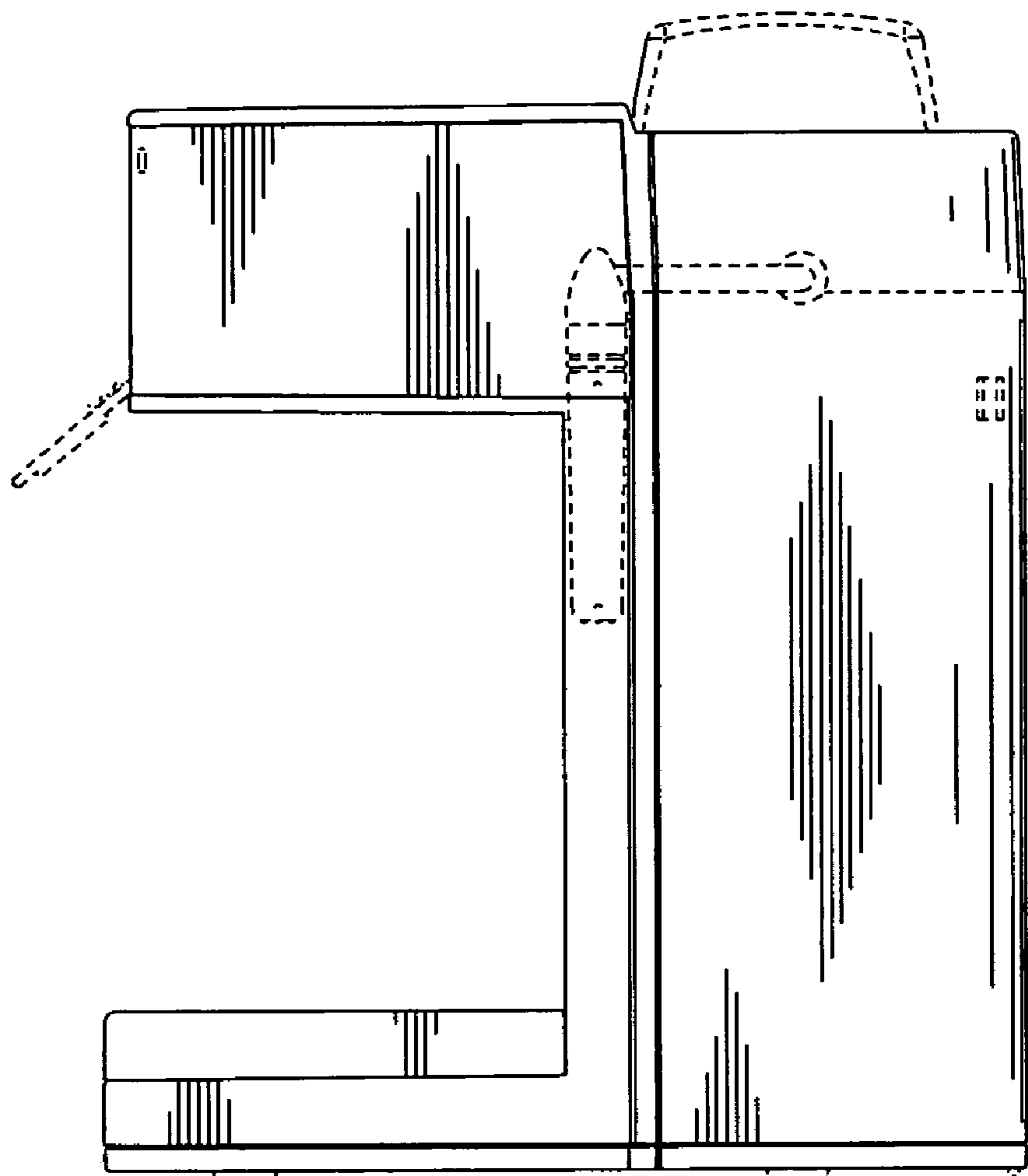


FIG 4

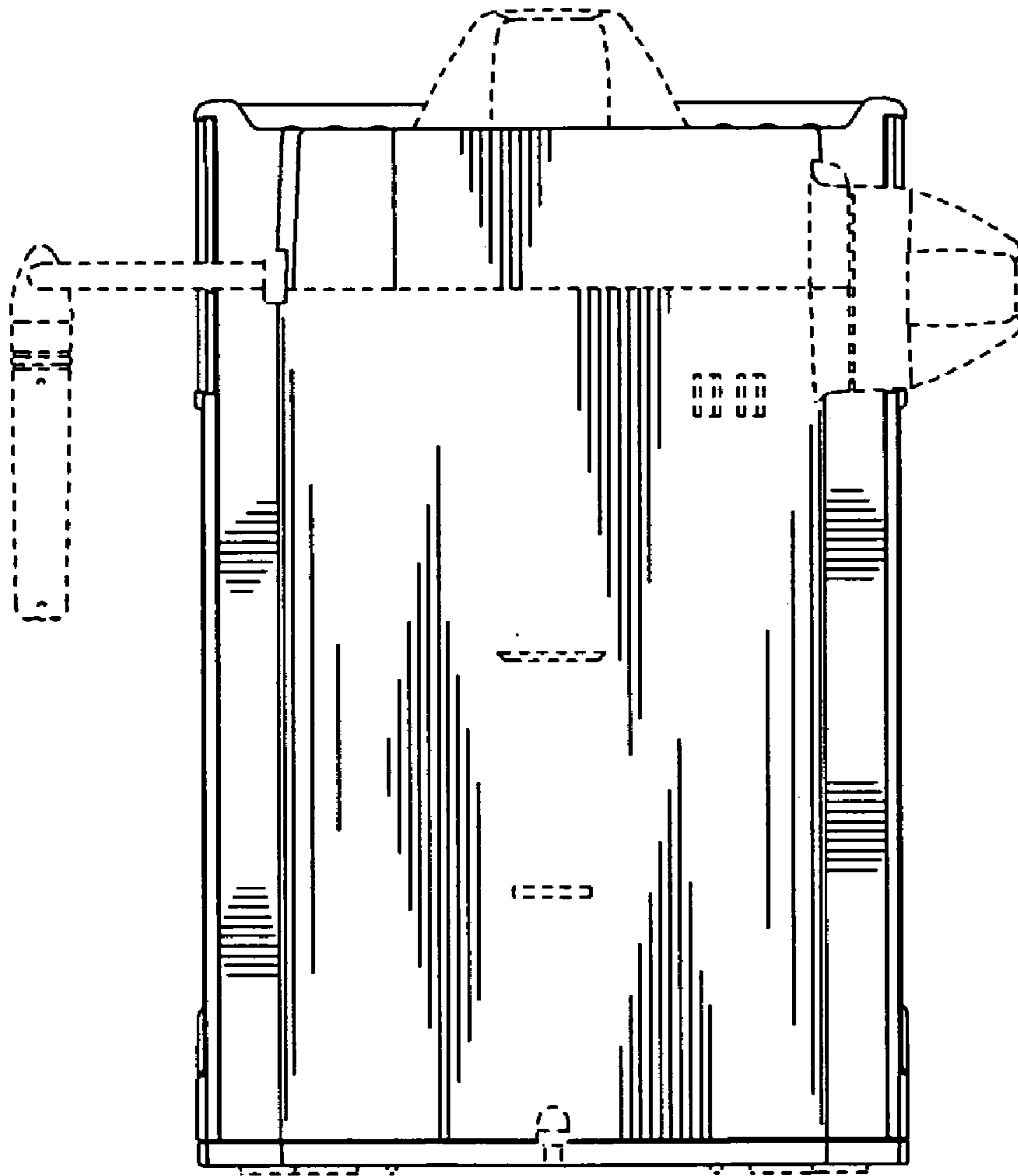


FIG 5

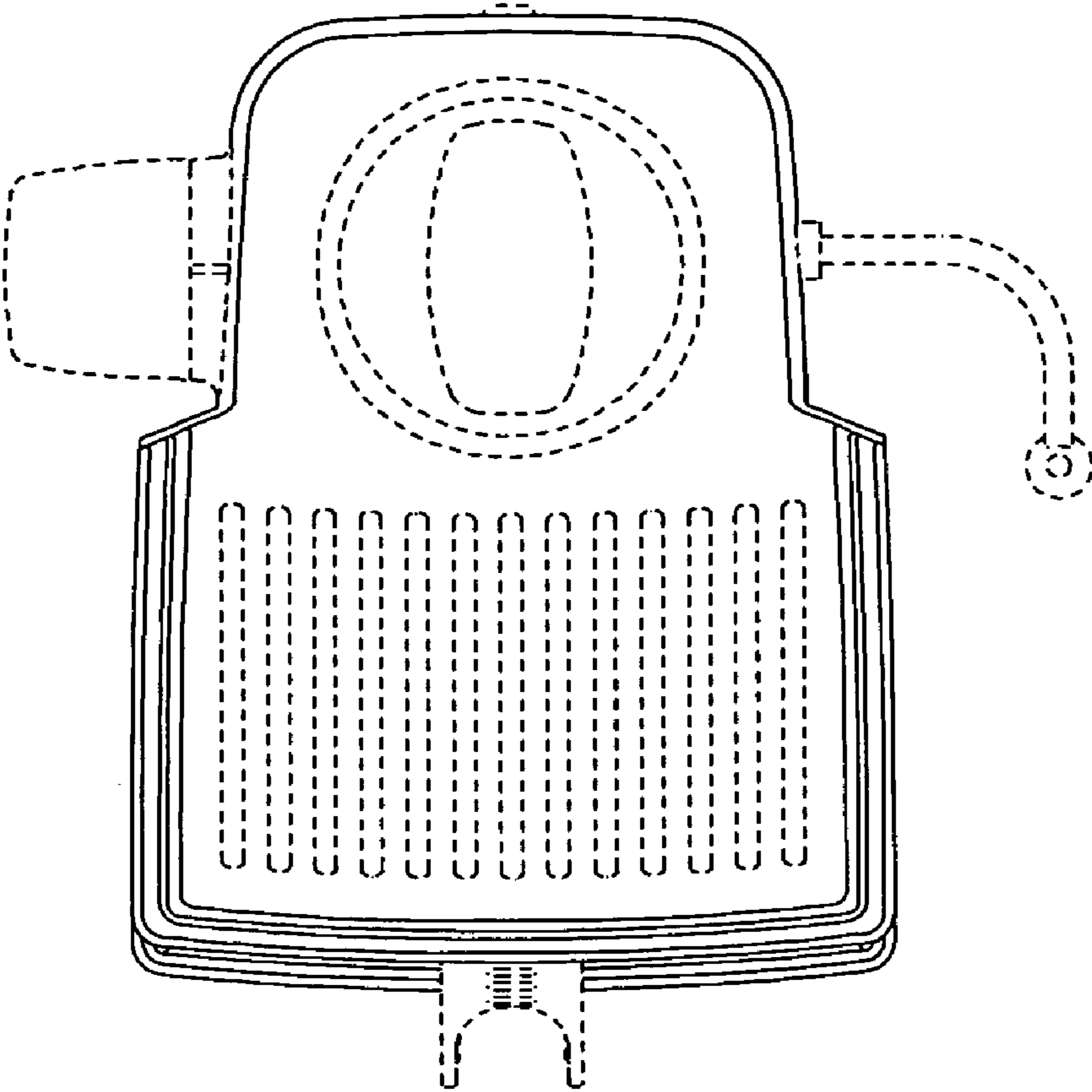


FIG 6