

US00D575570S

(12) **United States Design Patent**  
**Antonelli**

(10) **Patent No.:** **US D575,570 S**

(45) **Date of Patent:** **\*\* Aug. 26, 2008**

(54) **DRINKING STRAW**

(76) Inventor: **Jerry Antonelli**, 11047 Old Highway 99  
SE., Olympia, WA (US) 98501

(\*\*) Term: **14 Years**

(21) Appl. No.: **29/293,431**

(22) Filed: **Nov. 26, 2007**

(51) **LOC (8) Cl.** ..... **07-06**

(52) **U.S. Cl.** ..... **D7/300.2**

(58) **Field of Classification Search** ..... D7/300.2,  
D7/305; D9/436; D24/102, 112; 215/229,  
215/388, 389; 206/216; 239/16, 24-33

See application file for complete search history.

(56) **References Cited**

**U.S. PATENT DOCUMENTS**

- D271,836 S \* 12/1983 Border ..... D7/300.2
- D291,758 S \* 9/1987 Albury, II ..... D7/300.2
- D318,427 S \* 7/1991 Sherburne, Jr. .... D9/436
- D324,824 S \* 3/1992 Hansen ..... D9/436

- D327,848 S \* 7/1992 Hanover ..... D9/436
- D382,759 S \* 8/1997 Adaska ..... D7/300.2
- D469,307 S \* 1/2003 Lipson ..... D7/507
- D487,375 S \* 3/2004 Bengtsson et al. .... D7/300.2
- 6,745,949 B2 \* 6/2004 Lee ..... 239/33
- D547,590 S \* 7/2007 Joyce ..... D7/300.2

\* cited by examiner

*Primary Examiner*—Holly H. Baynham

*Assistant Examiner*—Cynthia M Chin

(74) *Attorney, Agent, or Firm*—Richard L. Mikesell

(57) **CLAIM**

The ornamental design for a drinking straw, as shown and described.

**DESCRIPTION**

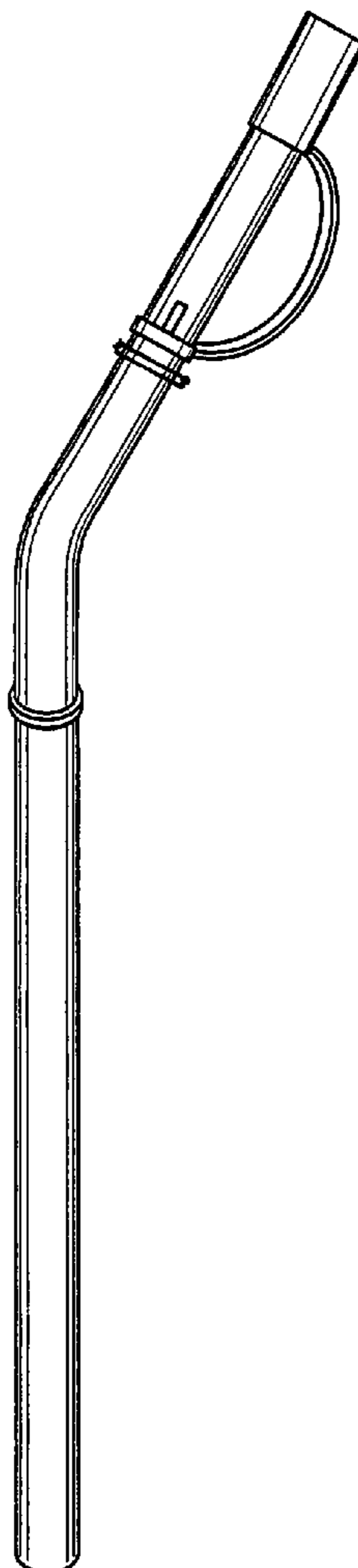
FIG. 1 is a right elevation; and

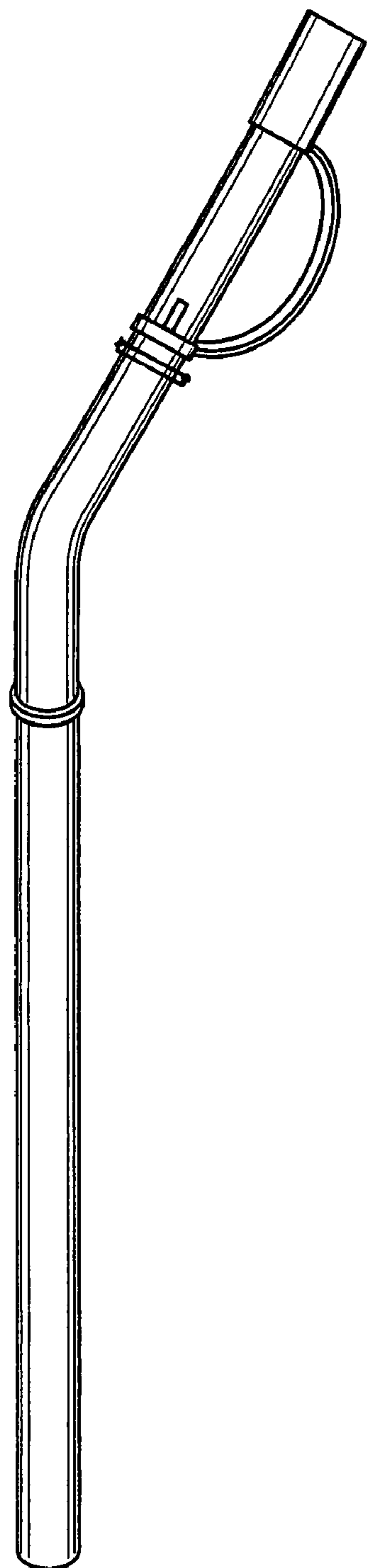
FIG. 2 is a front elevation; and,

FIG. 3 is a top plan view.

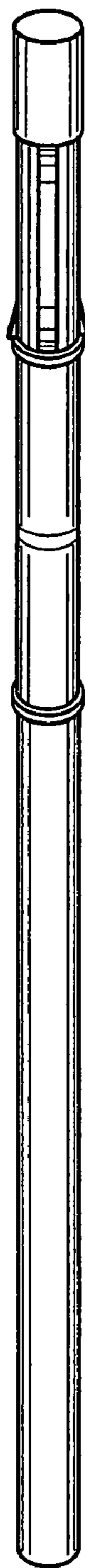
The left elevation is a mirror image of the right elevation.

**1 Claim, 1 Drawing Sheet**





**Fig. 1**



**Fig. 2**



**Fig. 3**