



US00D575569S

(12) **United States Design Patent**  
**Martinetti**

(10) **Patent No.:** **US D575,569 S**

(45) **Date of Patent:** **\*\* Aug. 26, 2008**

(54) **INTERCHANGEABLE CD-PAGE**

(75) Inventor: **Dominick Martinetti**, Hong Kong (HK)

(73) Assignee: **Total Impact Industrial Limited**, Hong Kong (HK)

(\*\*) Term: **14 Years**

(21) Appl. No.: **29/243,584**

(22) Filed: **Nov. 28, 2005**

(51) **LOC (8) Cl.** ..... **06-02**

(52) **U.S. Cl.** ..... **D6/626; D3/247; D3/300**

(58) **Field of Classification Search** ..... D6/407,  
D6/626-635; 206/209, 310-313, 751; 211/40,  
211/41.1, 41.12, 126.1; D14/435, 436, 299,  
D14/478, 479, 483, 474, 477, 363, 364-366,  
D14/368; D9/420; D3/271.12, 219, 328,  
D3/273, 294, 295, 299, 300, 301, 303; D19/75  
See application file for complete search history.

(56) **References Cited**

**U.S. PATENT DOCUMENTS**

|           |   |   |         |               |       |         |
|-----------|---|---|---------|---------------|-------|---------|
| D299,888  | S | * | 2/1989  | Maxwell       | ..... | D6/407  |
| 5,396,987 | A | * | 3/1995  | Temple et al. | ..... | 206/309 |
| D377,434  | S | * | 1/1997  | Hammond       | ..... | D6/626  |
| D419,358  | S | * | 1/2000  | Marcon        | ..... | D6/626  |
| D434,262  | S | * | 11/2000 | Bergh et al.  | ..... | D6/626  |
| D441,591  | S | * | 5/2001  | Drew          | ..... | D6/626  |
| D453,428  | S | * | 2/2002  | Beer          | ..... | D6/407  |
| D483,213  | S | * | 12/2003 | Hassett       | ..... | D6/630  |

|              |    |   |         |                   |       |           |
|--------------|----|---|---------|-------------------|-------|-----------|
| D485,112     | S  | * | 1/2004  | Ballantine et al. | ..... | D6/626    |
| D490,636     | S  | * | 6/2004  | Bergh et al.      | ..... | D6/626    |
| D491,407     | S  | * | 6/2004  | Martinetti        | ..... | D6/626    |
| D493,658     | S  | * | 8/2004  | Hassett           | ..... | D6/626    |
| 6,796,426    | B2 | * | 9/2004  | Fu et al.         | ..... | 206/308.1 |
| D499,597     | S  | * | 12/2004 | Martinetti        | ..... | D6/626    |
| 2003/0099504 | A1 | * | 5/2003  | Fu et al.         | ..... | 402/79    |

\* cited by examiner

*Primary Examiner*—Charles A. Rademaker

*Assistant Examiner*—Charles D Hanson

(74) *Attorney, Agent, or Firm*—Akerman Senterfitt

(57) **CLAIM**

The ornamental design for an interchangeable CD-page, as shown and described.

**DESCRIPTION**

FIG. 1 is a perspective view of an interchangeable CD-page, showing my new design;

FIG. 2 is a front view thereof;

FIG. 3 is a rear view thereof;

FIG. 4 is a side view thereof;

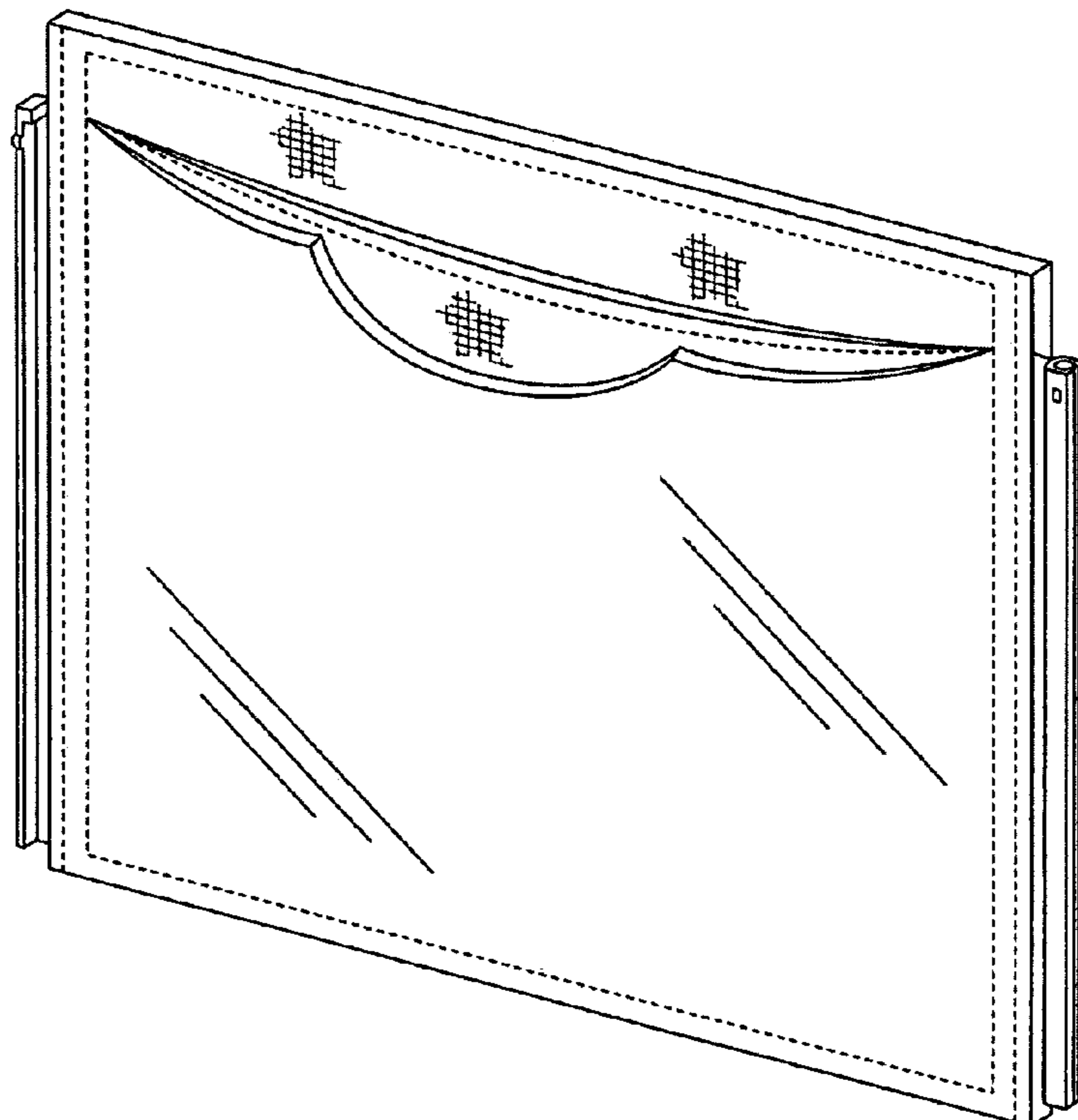
FIG. 5 is another side view thereof

FIG. 6 is a top view thereof; and,

FIG. 7 is a bottom view thereof.

The broken line showing is for the purpose of illustrating stitching.

**1 Claim, 5 Drawing Sheets**



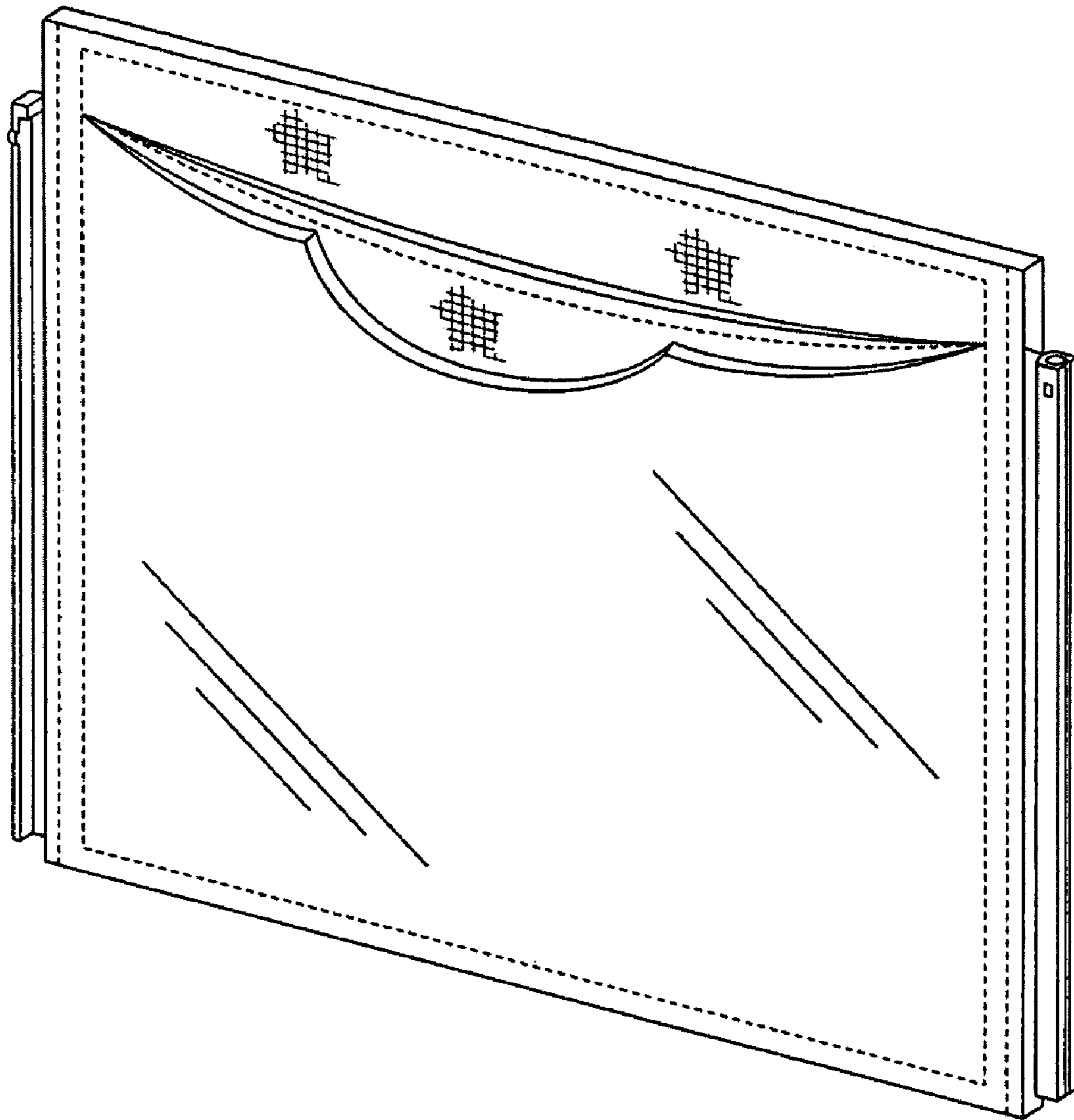
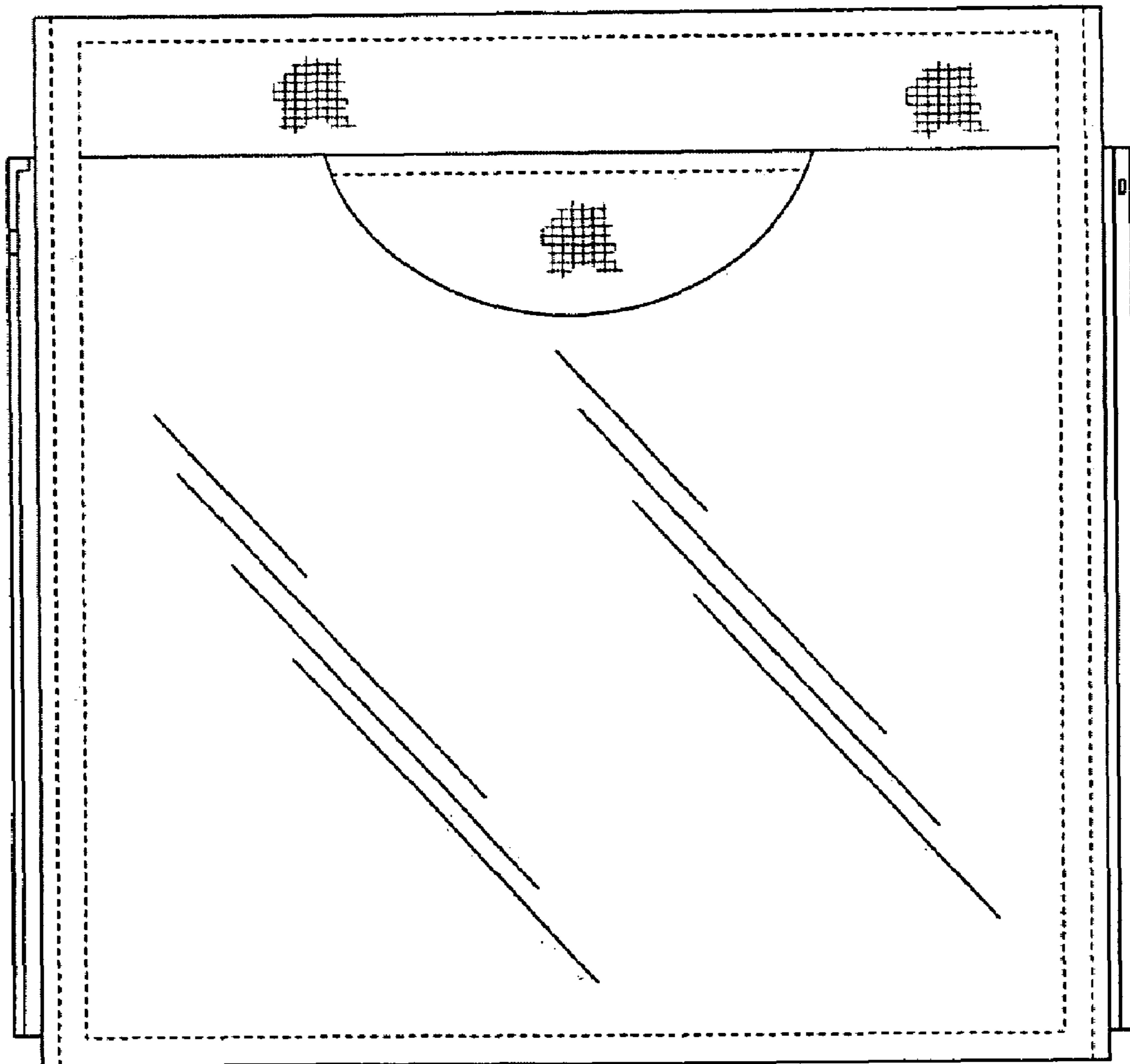
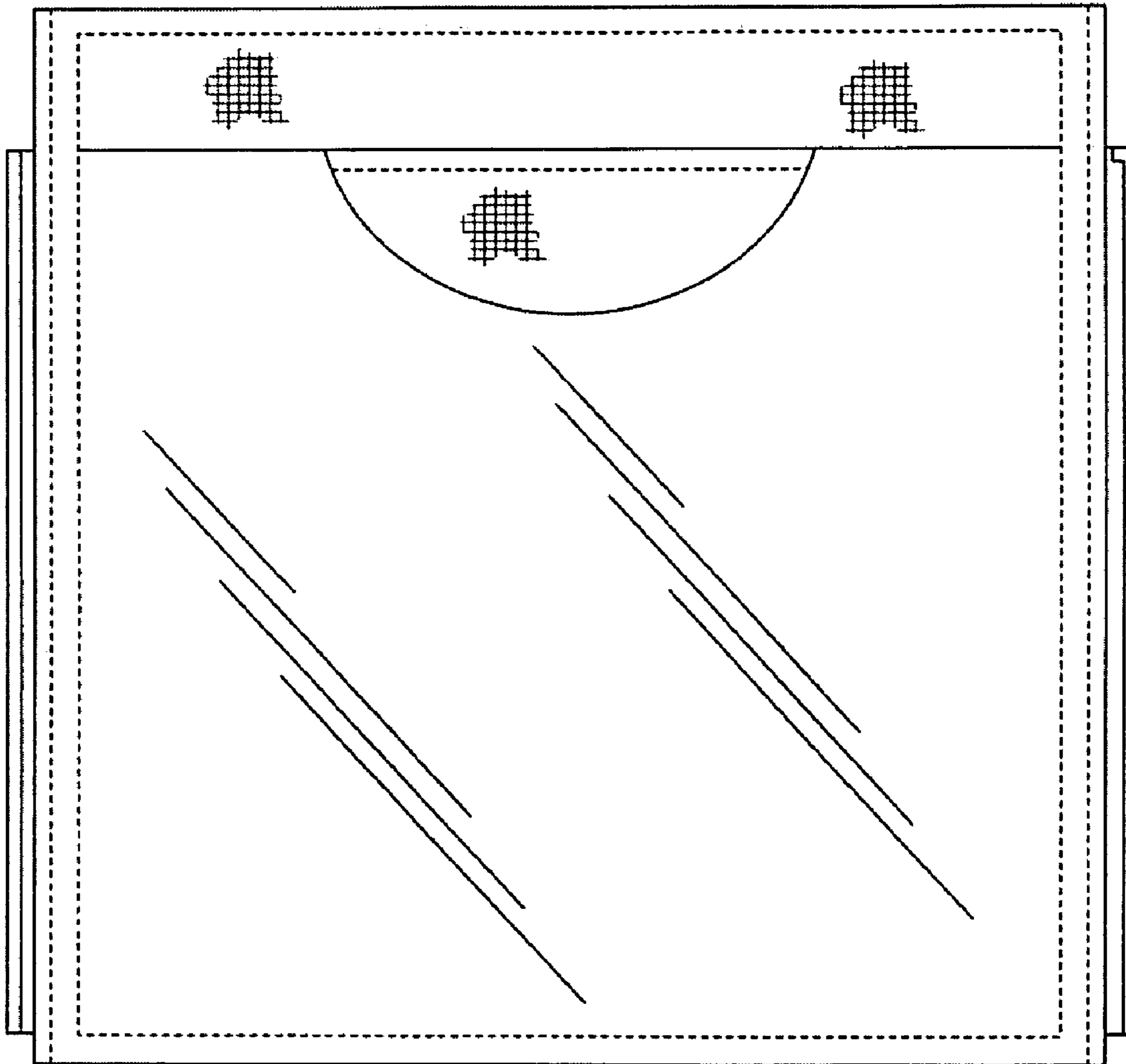


FIG. 1



**FIG. 2**



**FIG. 3**



FIG. 4



FIG. 5

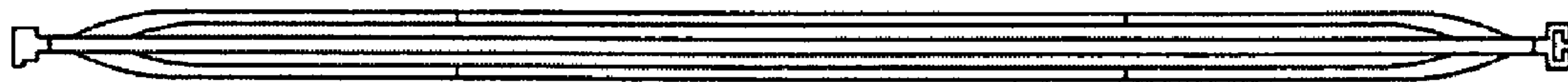


FIG. 6

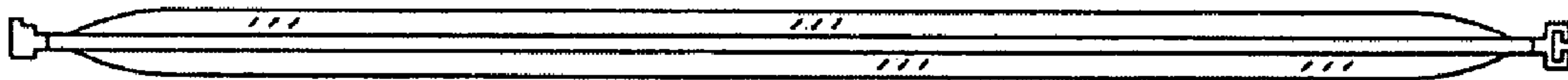


FIG. 7