



US00D575565S

(12) **United States Design Patent**  
**Gilbert**

(10) **Patent No.:** **US D575,565 S**

(45) **Date of Patent:** **\*\* Aug. 26, 2008**

(54) **ACCESSORY POST**

(75) **Inventor:** **Christopher Jon Gilbert**, Moreland Hills, OH (US)

(73) **Assignee:** **Moen Incorporated**, North Olmstead, OH (US)

(\*\*) **Term:** **14 Years**

(21) **Appl. No.:** **29/291,949**

(22) **Filed:** **Sep. 21, 2007**

D509,568 S	9/2005	Blattner et al.	
D516,354 S *	3/2006	Sedwick .....	D6/550
D516,357 S *	3/2006	Gilbert et al. ....	D6/550
D520,282 S *	5/2006	Hoernig .....	D6/550
D520,789 S *	5/2006	Zhu et al. ....	D6/550
D520,792 S *	5/2006	Wu .....	D6/550
D522,617 S	6/2006	Egee	
D533,384 S *	12/2006	Gilbert .....	D6/550
D533,642 S *	12/2006	Gilbert et al. ....	D6/524
D544,266 S *	6/2007	Wu .....	D6/524
D551,325 S *	9/2007	Kennard .....	D6/524
D551,479 S *	9/2007	Gilbert .....	D6/524
D554,406 S *	11/2007	Sedwick .....	D6/524
D557,049 S *	12/2007	Sedwick et al. ....	D6/524

(51) **LOC (8) Cl.** ..... **23-02**

(52) **U.S. Cl.** ..... **D6/524; D6/550**

(58) **Field of Classification Search** ..... D6/524, D6/546-550; D8/300, 303, 315-321, 354, D8/363, 373, 380; 108/28-29; 211/13.1, 211/16, 60.1, 86.01, 87.01, 88.01, 88.04, 211/100, 105.1, 105.2, 123, 126.1, 133.6, 211/134, 181.1, 182; 248/175, 176.1, 200, 248/251, 302, 309.1; 16/110.1, 412, 415; 242/570, 590, 595-598; 206/389, 557

See application file for complete search history.

\* cited by examiner

*Primary Examiner*—Brian N Vinson

(74) *Attorney, Agent, or Firm*—Calfee Halter & Griswold LLP

(57) **CLAIM**

The ornamental design for an accessory post, as shown and described.

**DESCRIPTION**

FIG. 1 is a perspective view of an accessory post of the new design;

FIG. 2 is a front elevational view of the accessory post of FIG. 1;

FIG. 3 is a left side elevational view of the accessory post of FIG. 1;

FIG. 4 is a right side elevational view of the accessory post of FIG. 1; and,

FIG. 5 is a top plan view of the accessory post of FIG. 1, the bottom plan view being a mirror image.

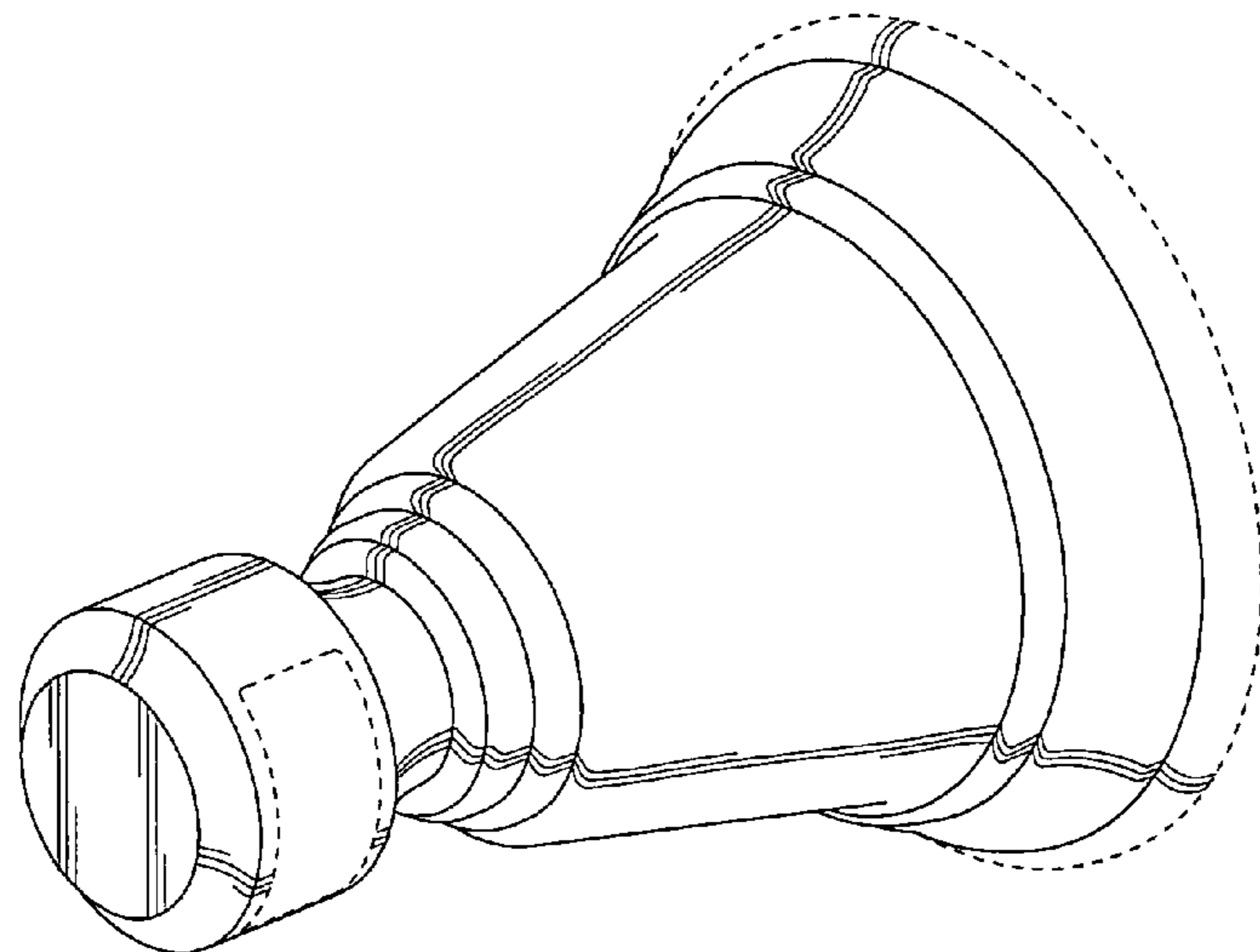
The portions of the Figures shown in broken lines are not part of the claimed design and are for illustration only.

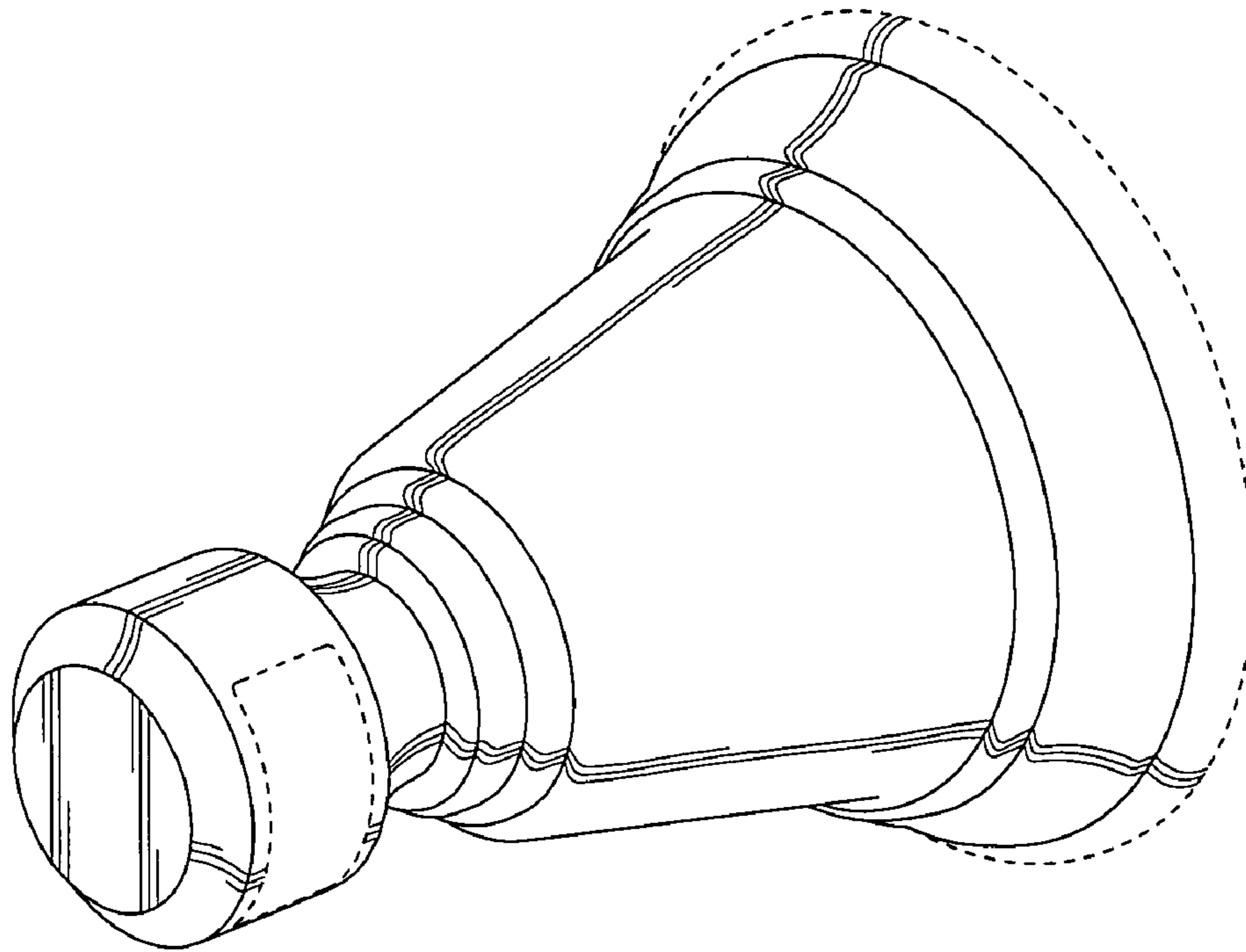
(56) **References Cited**

**U.S. PATENT DOCUMENTS**

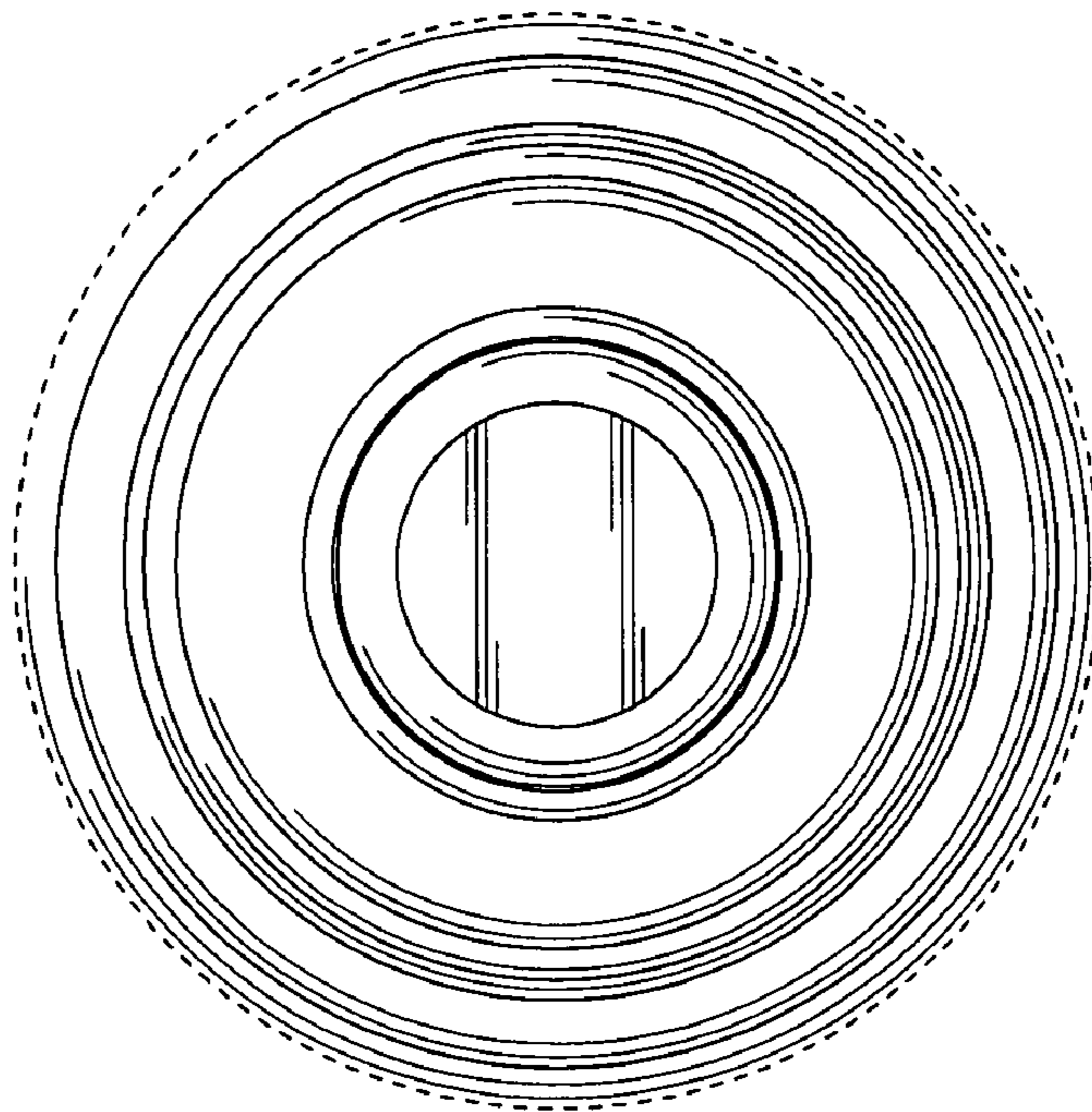
2,348,238 A	5/1944	Beeke et al.
D140,556 S	3/1945	Stanitz
D280,543 S	9/1985	Paul
D290,496 S	6/1987	Ryan
D404,470 S	1/1999	Pitsch et al.
D404,802 S	1/1999	Delker
D443,919 S	6/2001	Lord
D458,344 S	6/2002	Mullenmeister
D458,347 S	6/2002	Mullenmeister
D473,290 S	4/2003	Zhao
D483,440 S	12/2003	Smith
D489,120 S	4/2004	Shieh
D498,290 S	11/2004	Egee
D509,285 S	9/2005	Blattner et al.

**1 Claim, 3 Drawing Sheets**

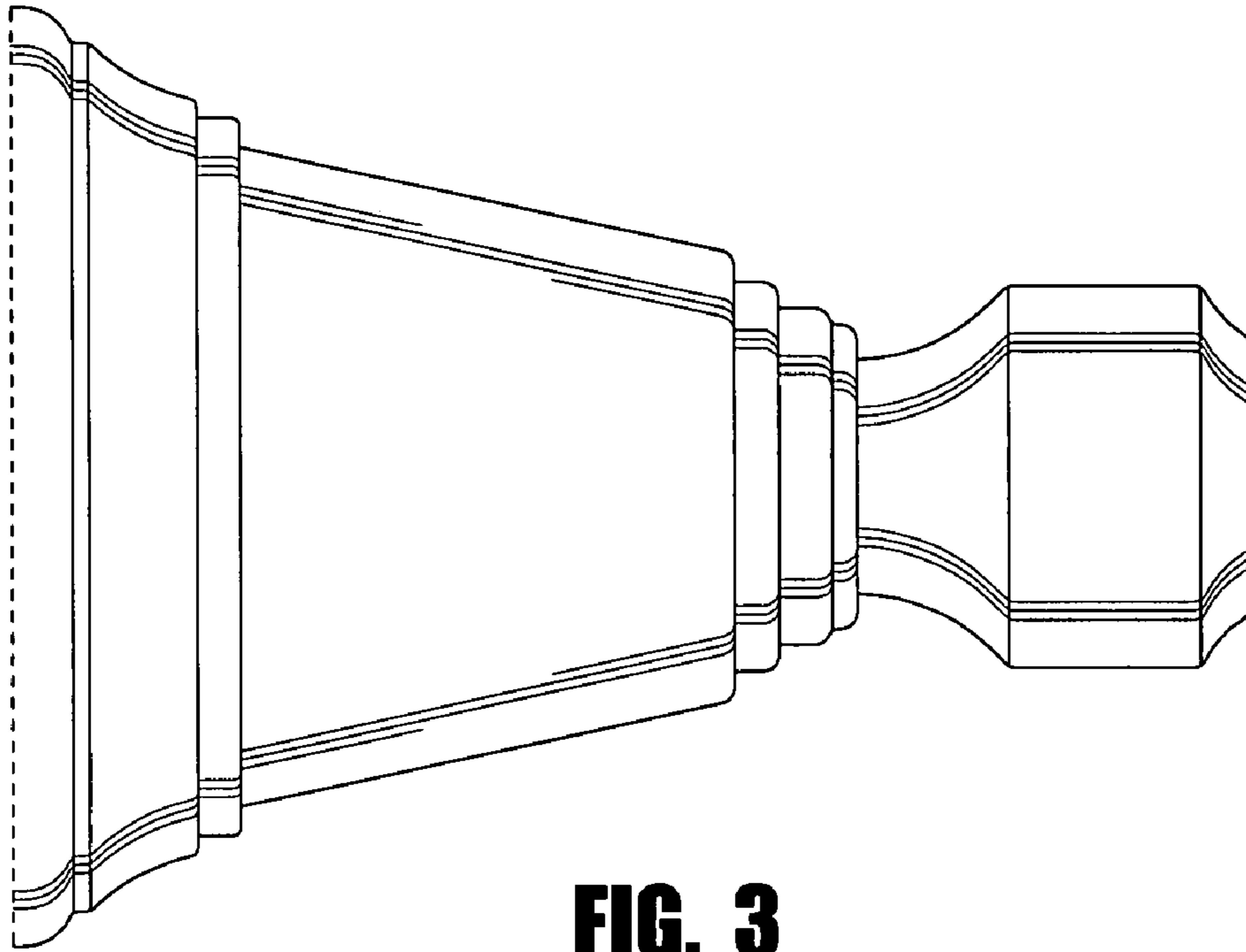




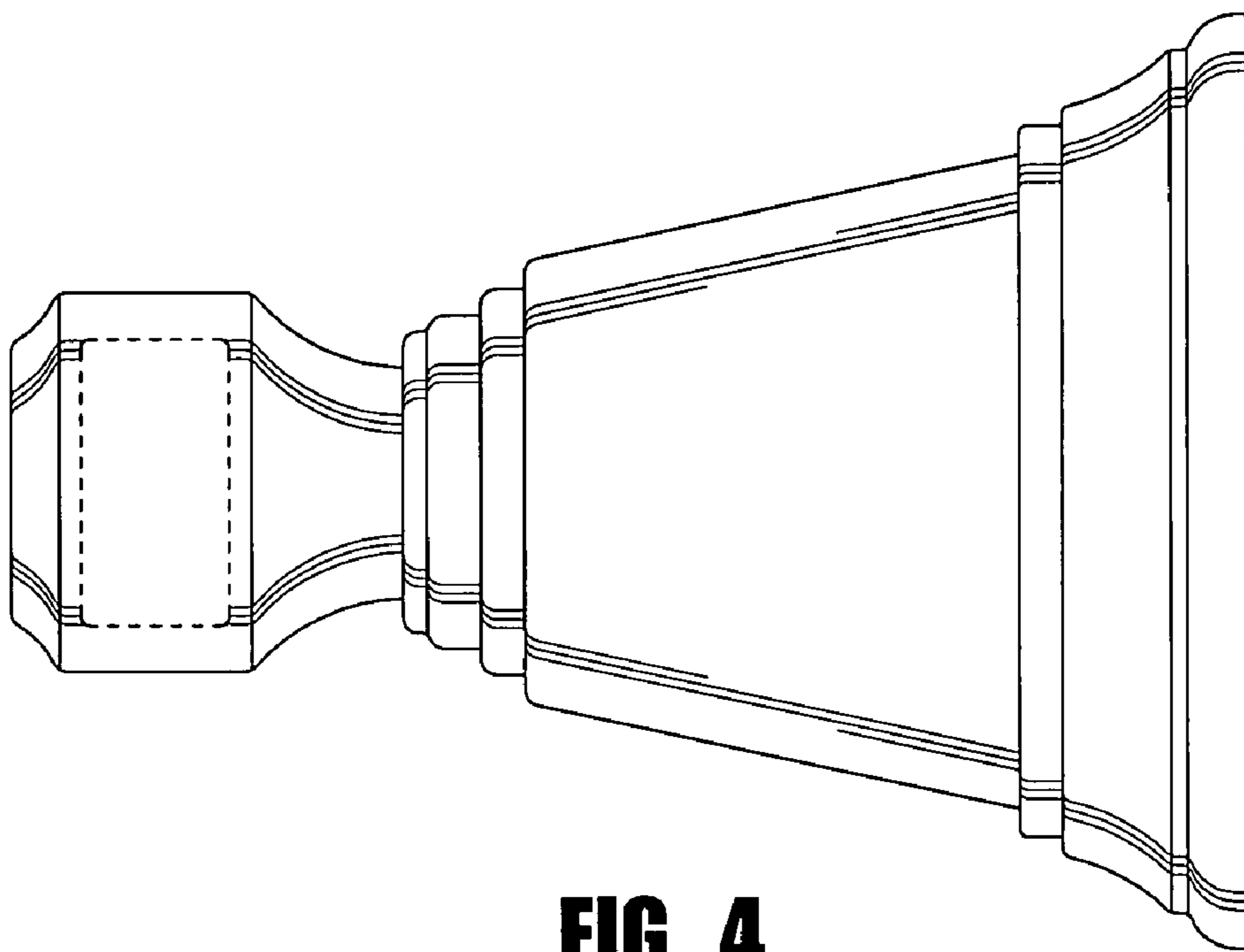
**FIG. 1**



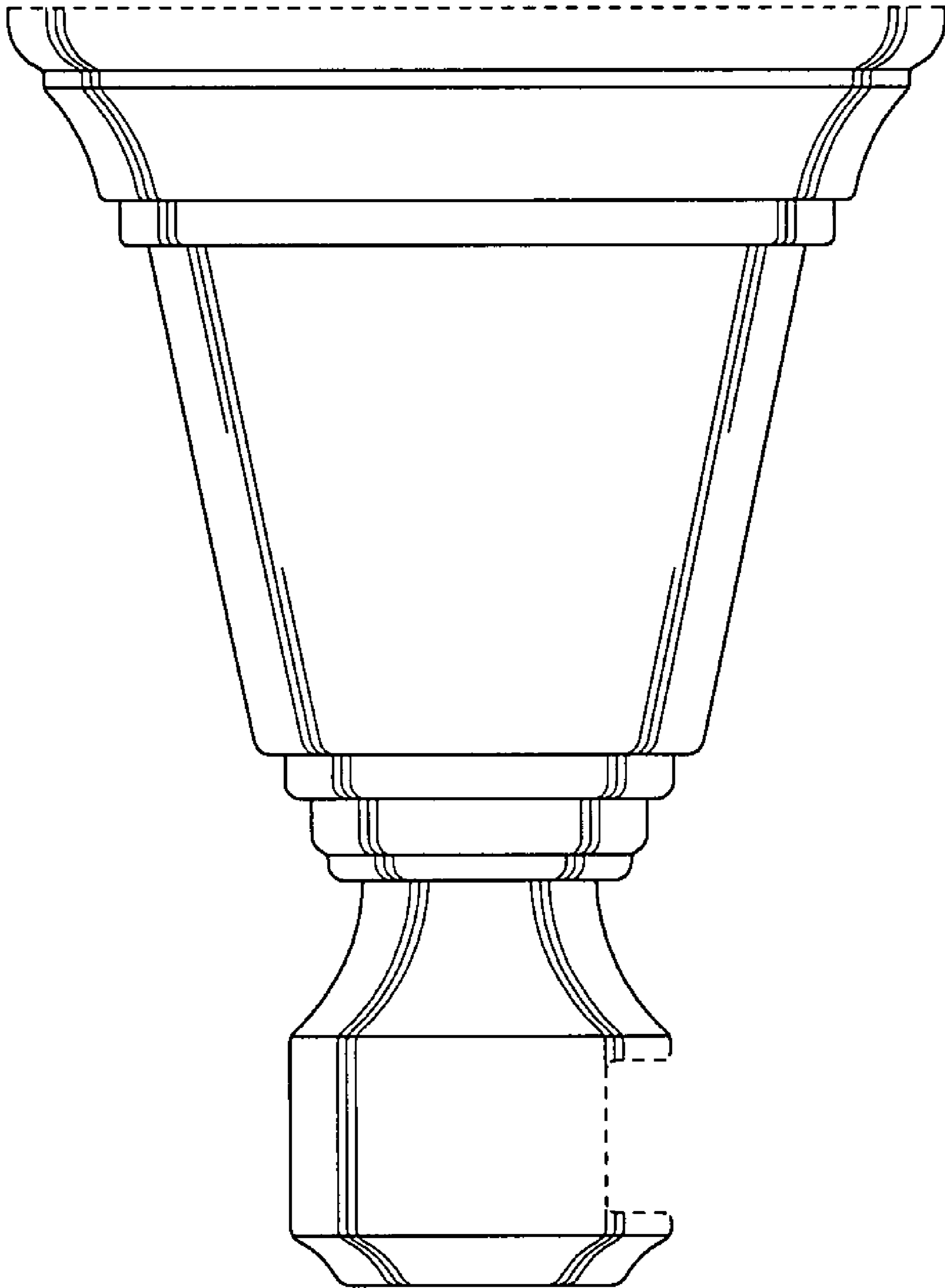
**FIG. 2**



**FIG. 3**



**FIG. 4**



**FIG. 5**

UNITED STATES PATENT AND TRADEMARK OFFICE  
**CERTIFICATE OF CORRECTION**

PATENT NO. : Des. 575,565 S  
APPLICATION NO. : 29/291949  
DATED : August 26, 2008  
INVENTOR(S) : Christopher Jon Gilbert

Page 1 of 1

It is certified that error appears in the above-identified patent and that said Letters Patent is hereby corrected as shown below:

On the Title page of the patent, in Assignee Item (73), "North Olmstead" should read --North Olmsted--.

Signed and Sealed this

Fourth Day of November, 2008

A handwritten signature in black ink that reads "Jon W. Dudas". The signature is written in a cursive style with a large, looped initial "J".

JON W. DUDAS  
*Director of the United States Patent and Trademark Office*