



US00D575563S

(12) **United States Design Patent**
Kaczmarek

(10) **Patent No.:** **US D575,563 S**

(45) **Date of Patent:** **** Aug. 26, 2008**

(54) **CHAIR BACK**

(75) Inventor: **Piotr Kaczmarek**, Mississauga (CA)

(73) Assignee: **Global Total Office**, Toronto (CA)

(**) Term: **14 Years**

(21) Appl. No.: **29/274,288**

(22) Filed: **Apr. 11, 2007**

(51) **LOC (8) Cl.** **06-01**

(52) **U.S. Cl.** **D6/502**

(58) **Field of Classification Search** D6/502,
D6/334-336, 358, 364-367, 370, 372-375,
D6/379, 500-501; 297/411.2, 411.27, 411.28,
297/411.36, 452.29, 284.4, 452.3

See application file for complete search history.

(56) **References Cited**

U.S. PATENT DOCUMENTS

D342,849 S *	1/1994	Grosfillex	D6/502
D345,477 S *	3/1994	Infanti	D6/502
D345,478 S *	3/1994	Infanti	D6/502
D411,397 S *	6/1999	Arango	D6/502
D463,693 S *	10/2002	Hsieh	D6/502
D471,042 S *	3/2003	Schmitz et al.	D6/502
D483,583 S *	12/2003	Raftery	D6/502
D496,547 S *	9/2004	Gasser	D6/502
D506,629 S *	6/2005	Koepke et al.	D6/502
D515,340 S *	2/2006	Gasser	D6/502
D534,748 S *	1/2007	Chu	D6/502
D539,578 S *	4/2007	Chen	D6/502
D540,578 S *	4/2007	Chen	D6/502
D545,383 S *	6/2007	Bingham et al.	D21/695

* cited by examiner

Primary Examiner—Caron D. Veynar

Assistant Examiner—Katrina A Kile

(74) *Attorney, Agent, or Firm*—Bereskin & Parr

(57) **CLAIM**

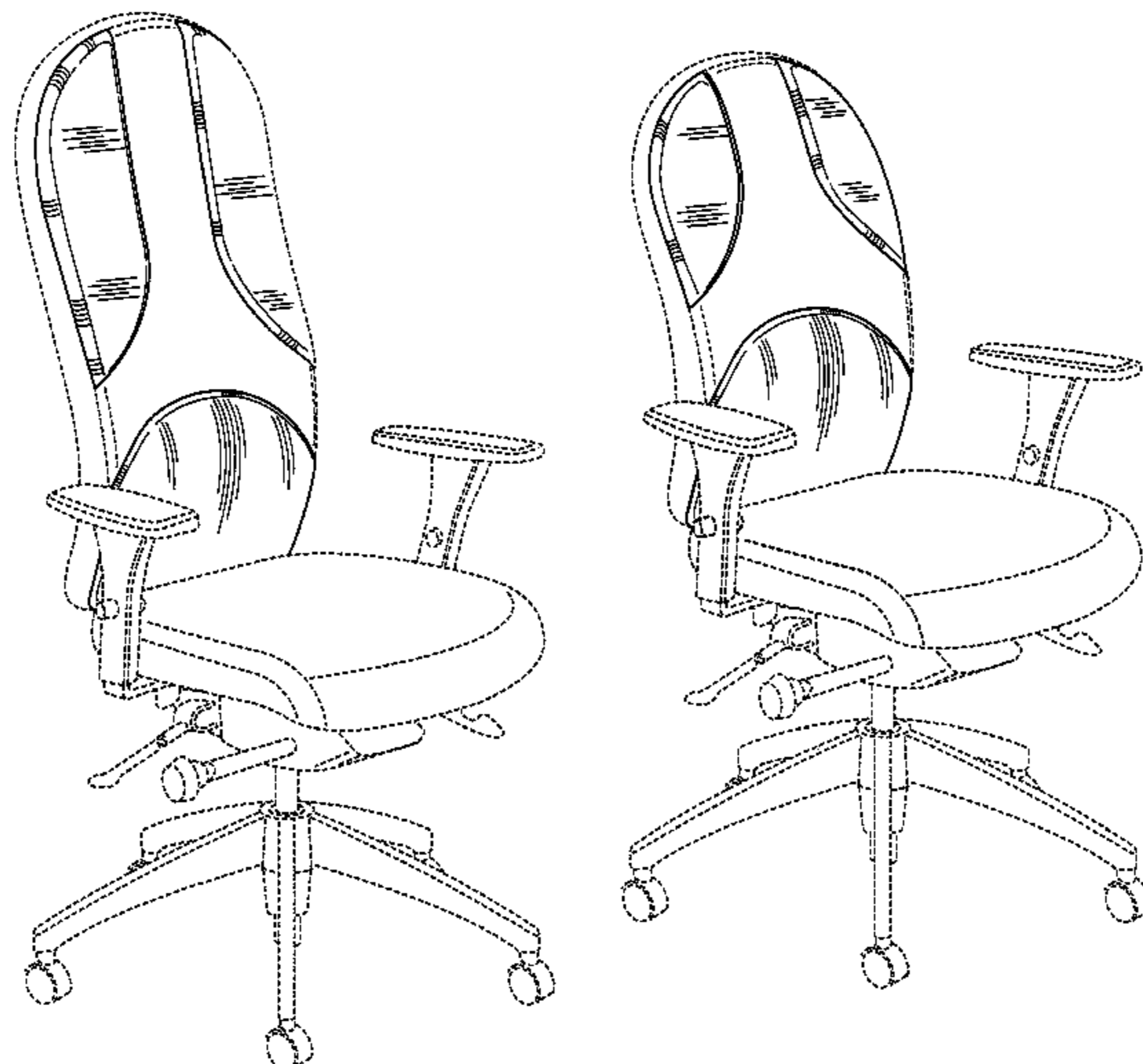
The ornamental design for a chair back, as shown and described.

DESCRIPTION

FIG. 1 is a front perspective view of a chair back;
 FIG. 2 is a rear perspective view of a chair back;
 FIG. 3 is a right side elevation view of a chair back;
 FIG. 4 is a front elevation view of a chair back;
 FIG. 5 is a left side elevation view of a chair back;
 FIG. 6 is a rear elevation view of a chair back;
 FIG. 7 is a top plan view of a chair back;
 FIG. 8 is a bottom plan view of a chair back;
 FIG. 9 is a front perspective view of a second embodiment of a chair back;
 FIG. 10 is a rear perspective view of a second embodiment of a chair back;
 FIG. 11 is a right side elevation view of a second embodiment of a chair back;
 FIG. 12 is a front elevation view of a second embodiment of a chair back;
 FIG. 13 is a left side elevation view of a second embodiment of a chair back;
 FIG. 14 is a rear elevation view of a second embodiment of a chair back;
 FIG. 15 is a top plan view of a second embodiment of a chair back; and,
 FIG. 16 is a bottom plan view of a second embodiment of a chair back.

In the drawings, the broken lines depict environmental subject matter only and form no part of the claimed design.

1 Claim, 10 Drawing Sheets



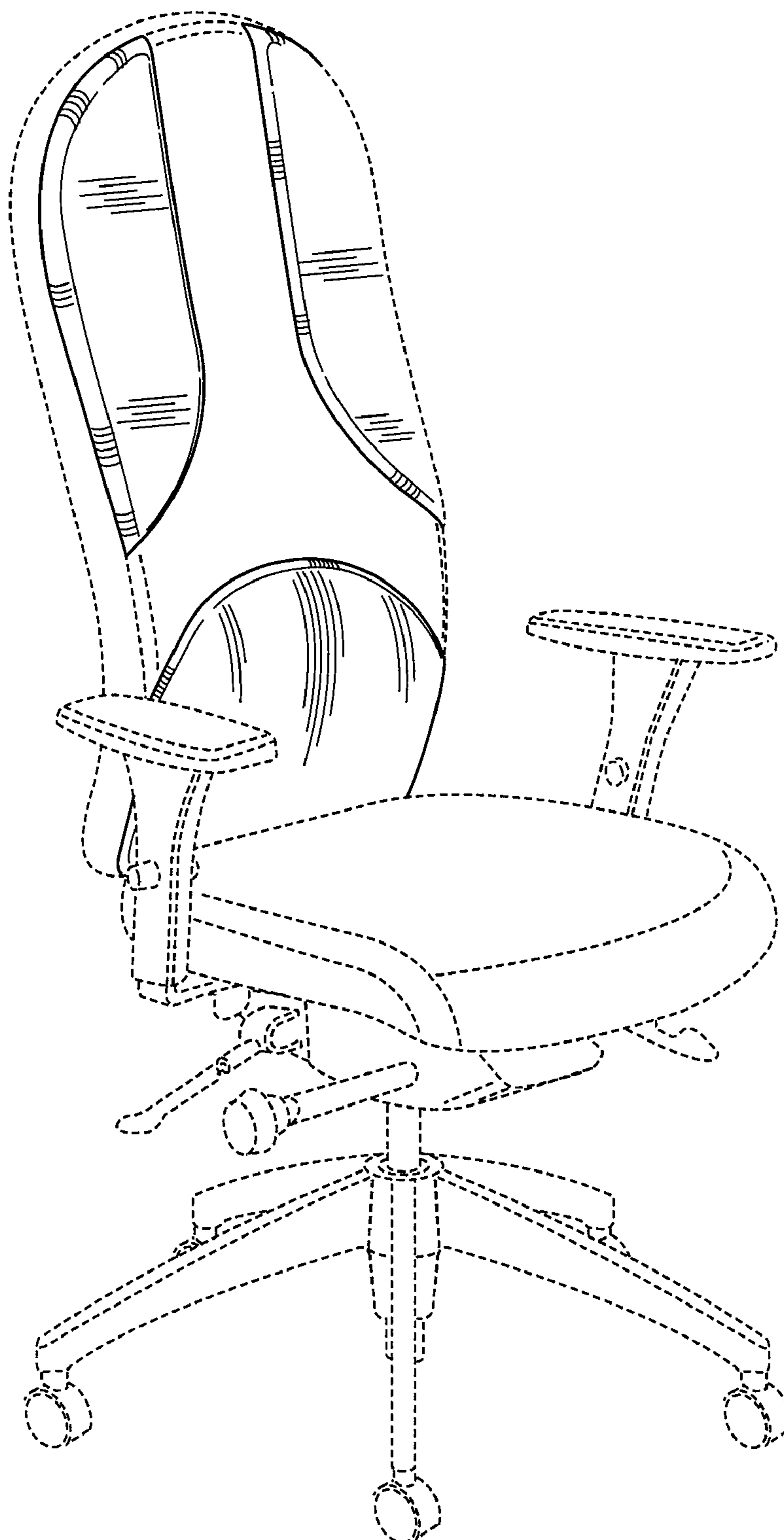


FIG. 1

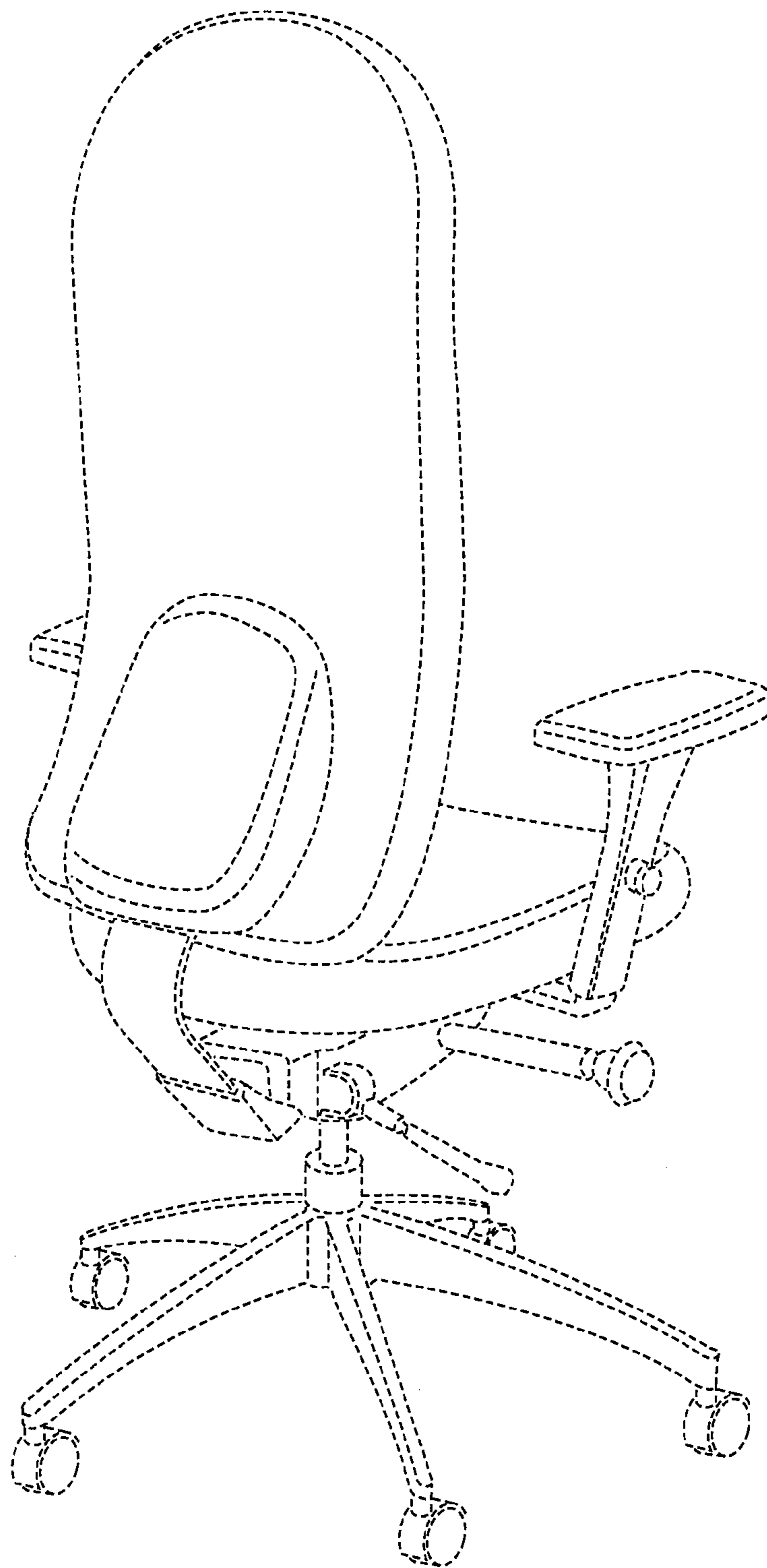


FIG. 2

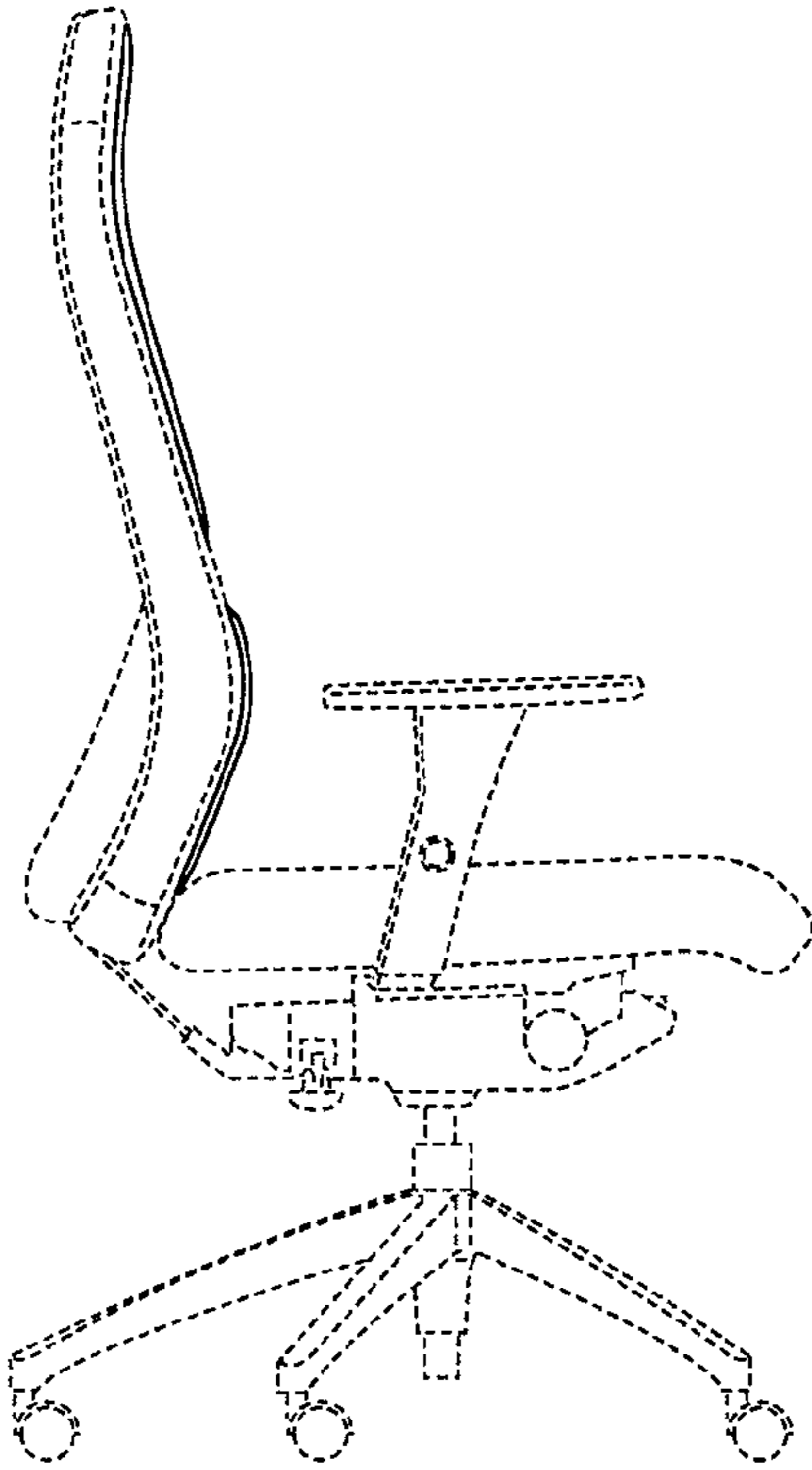


FIG. 3

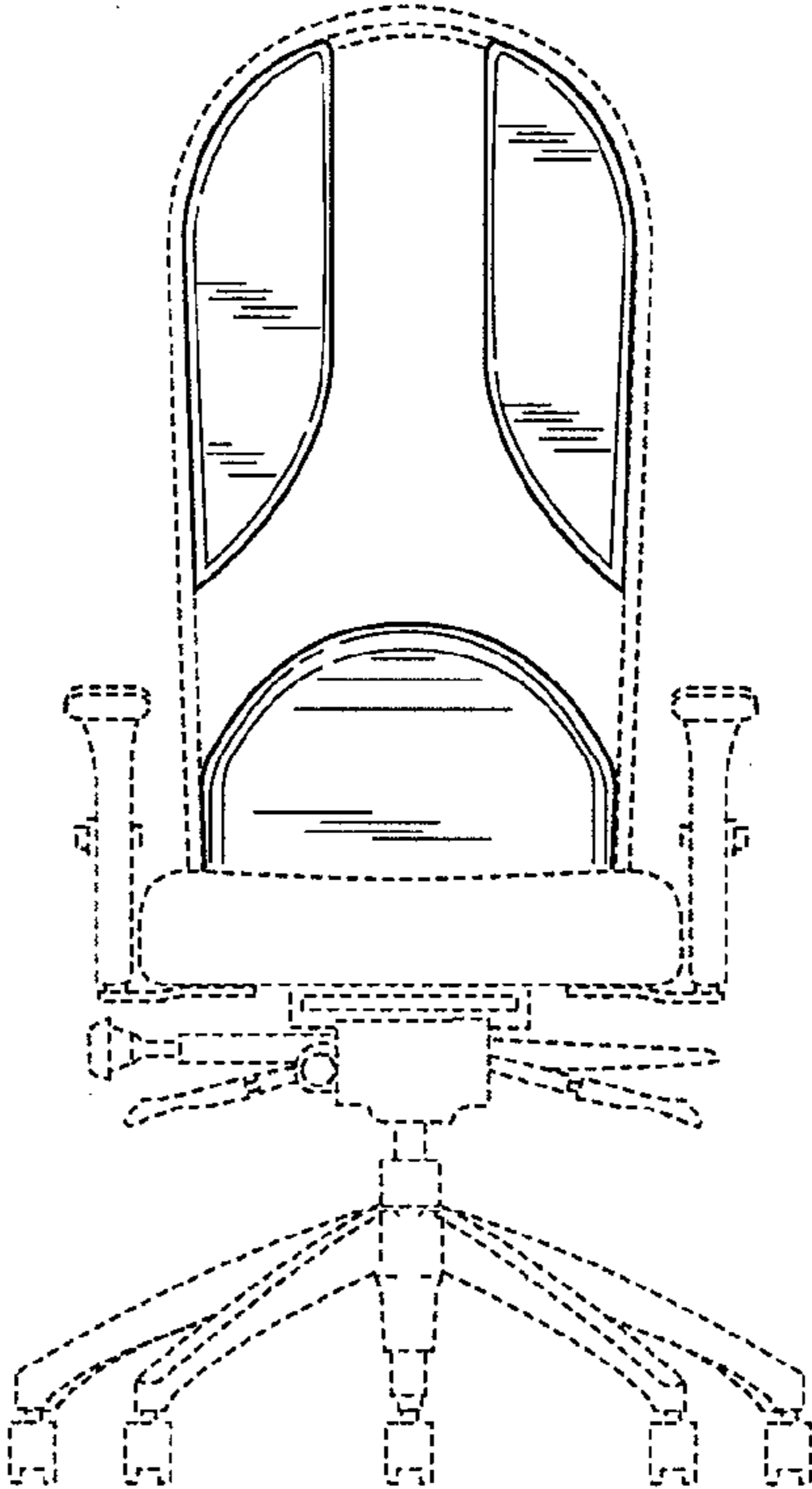


FIG. 4

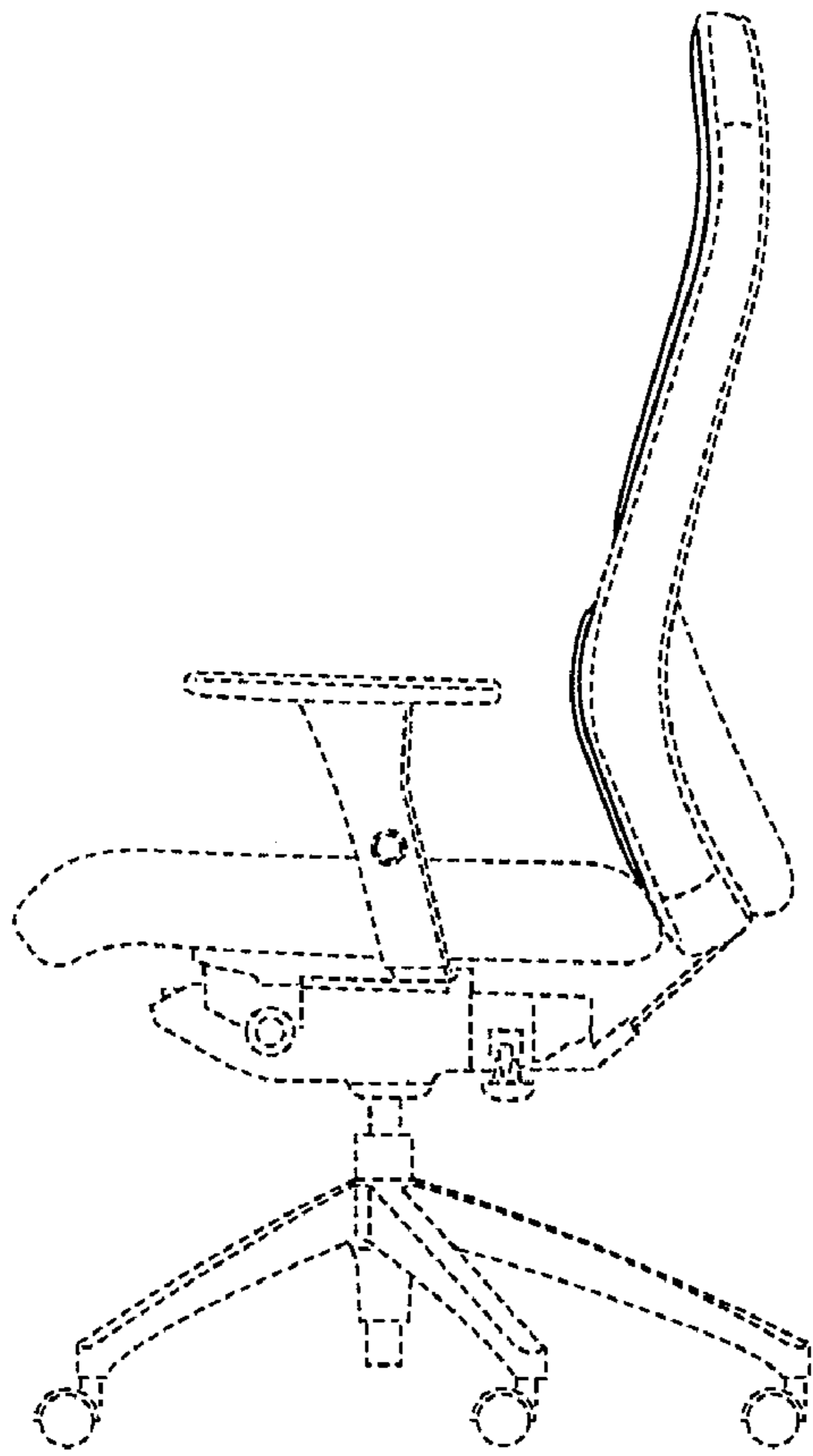


FIG. 5

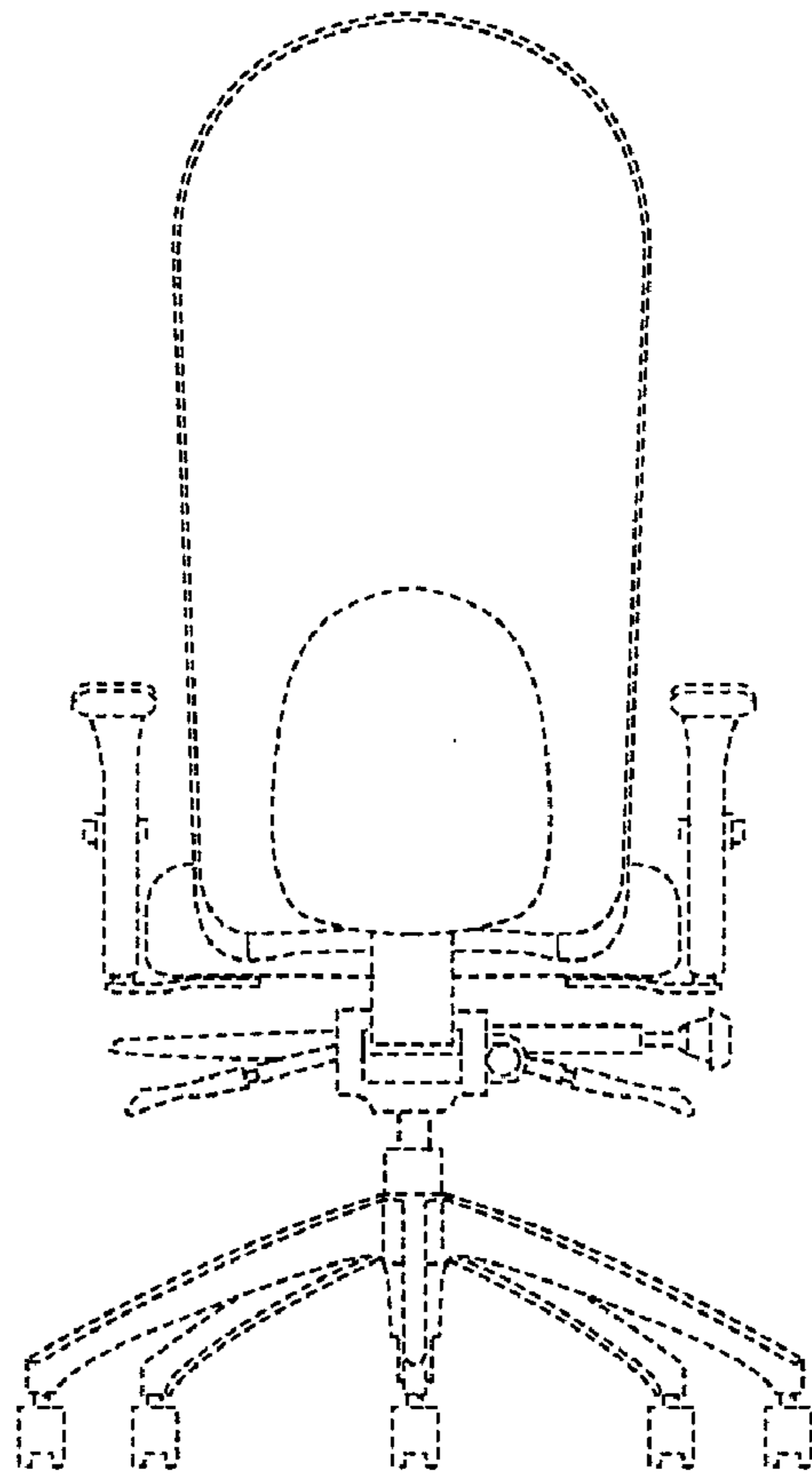


FIG. 6

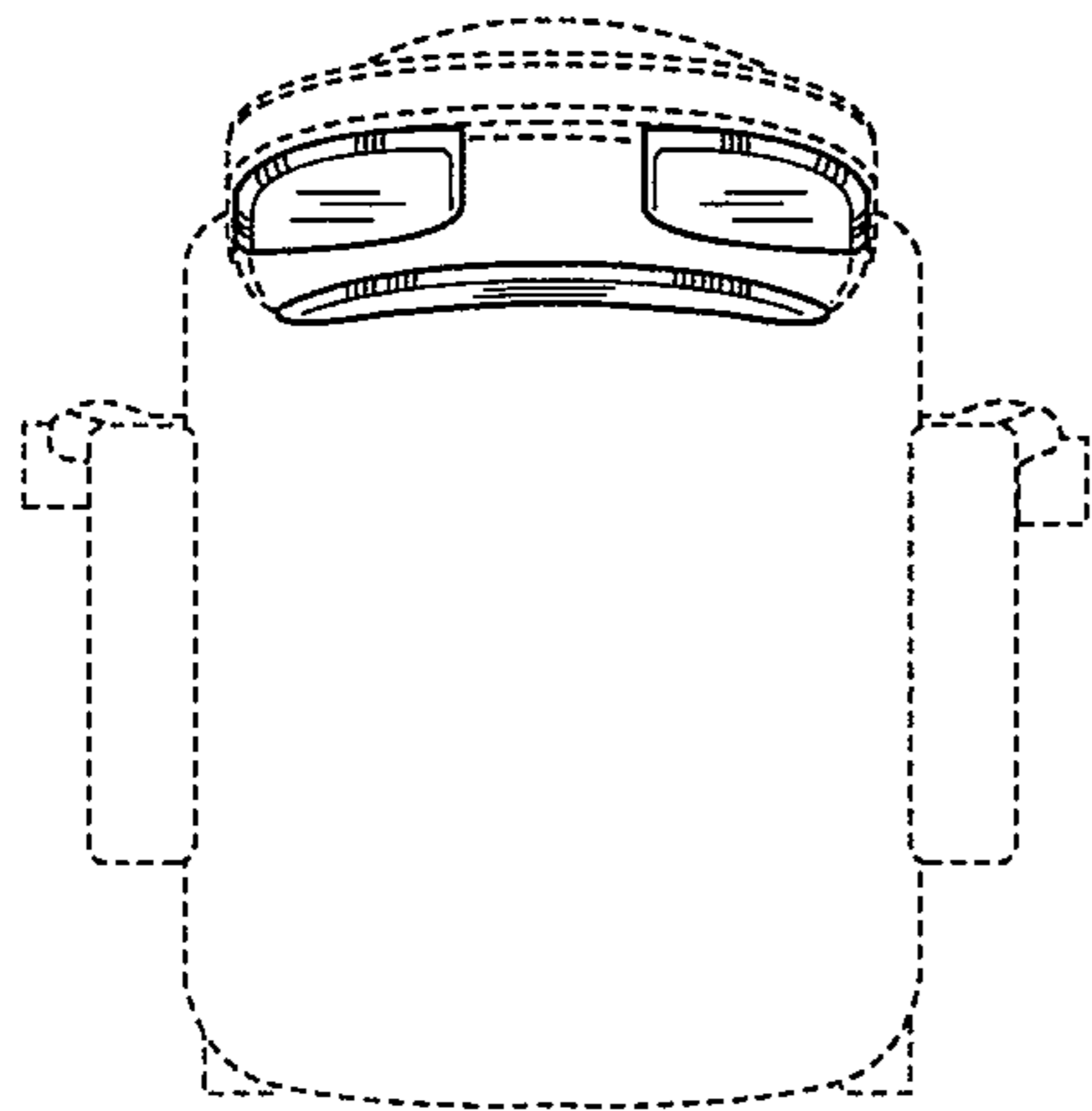


FIG. 7

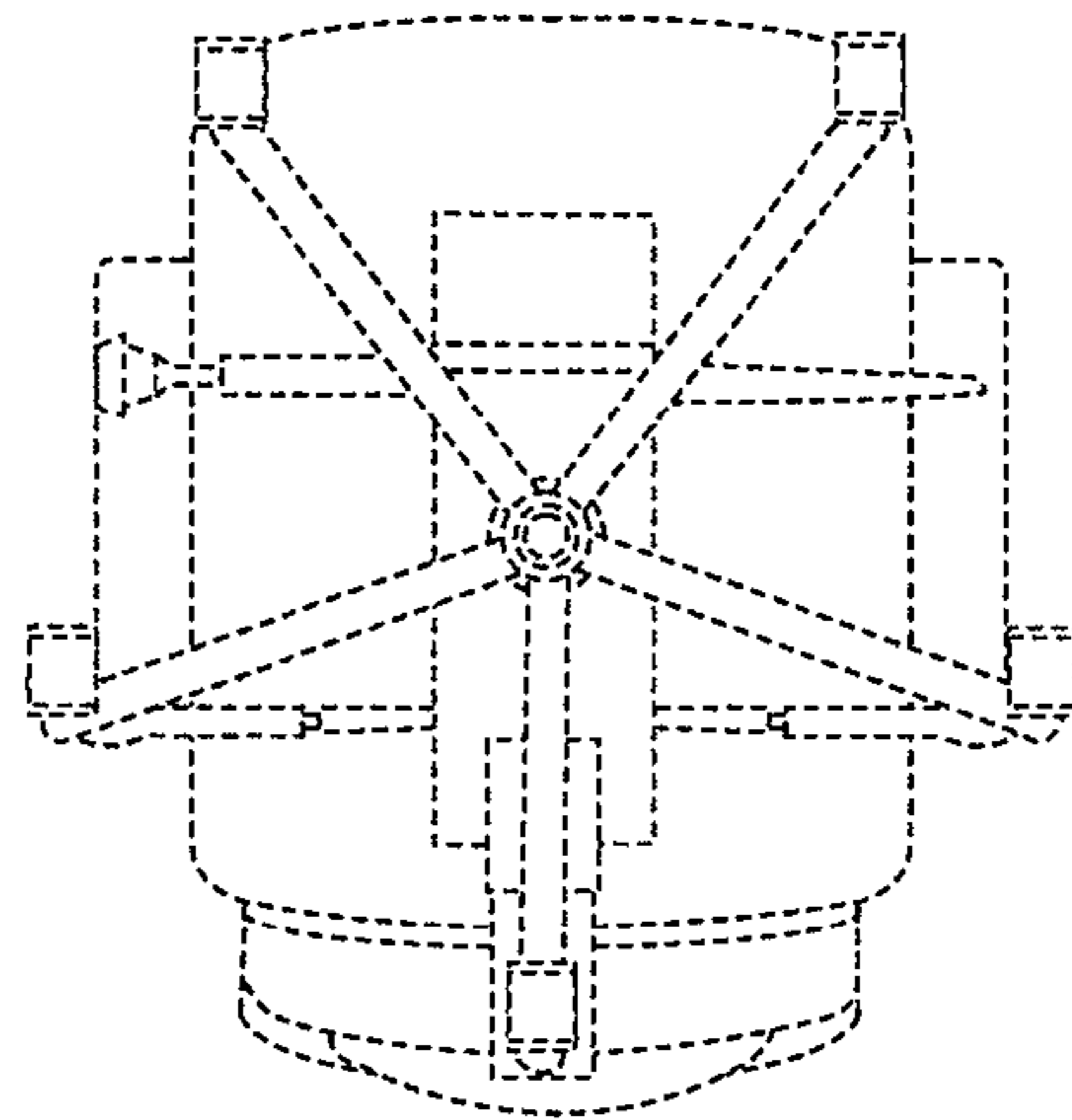


FIG. 8

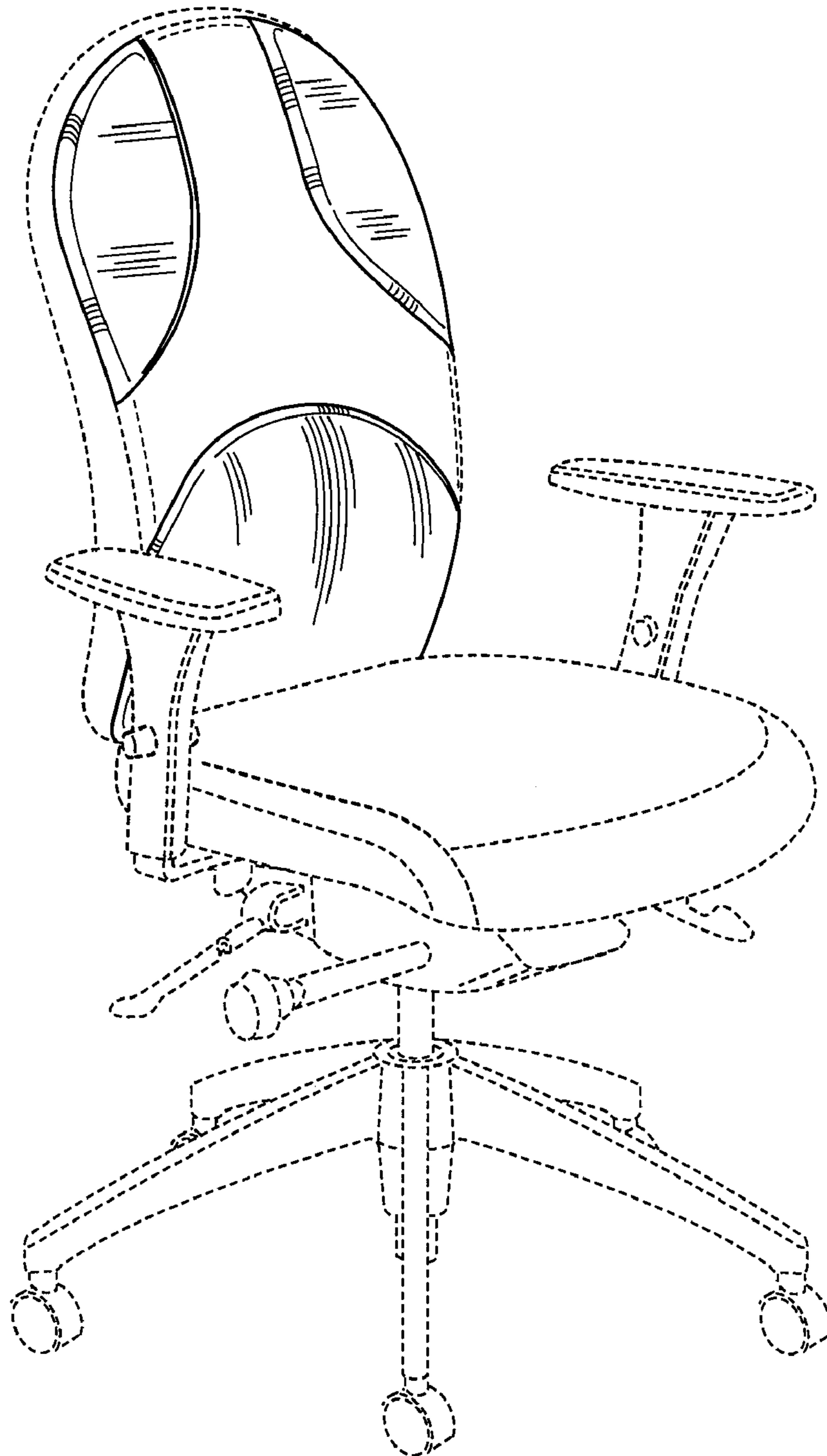


FIG. 9

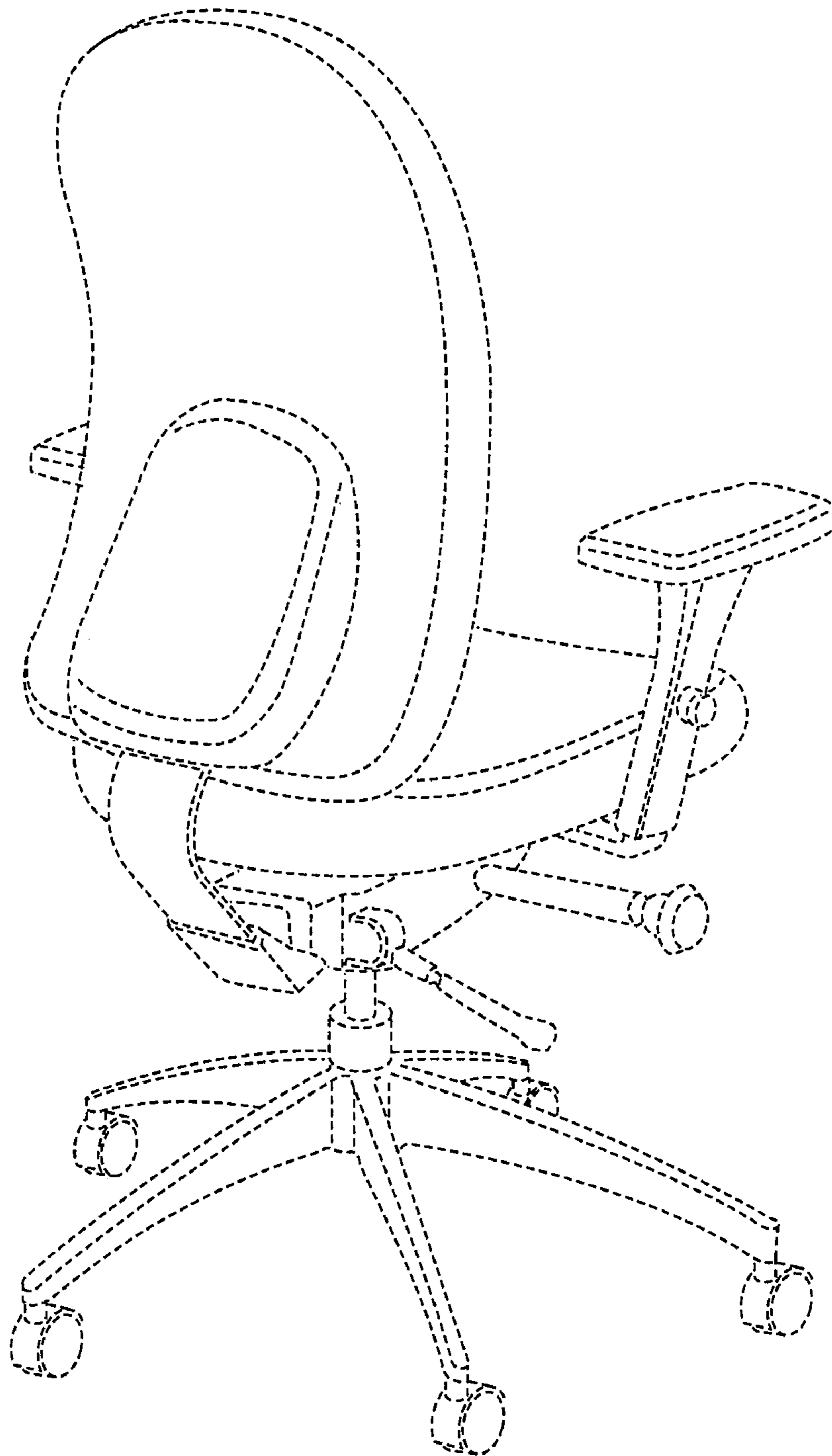


FIG. 10

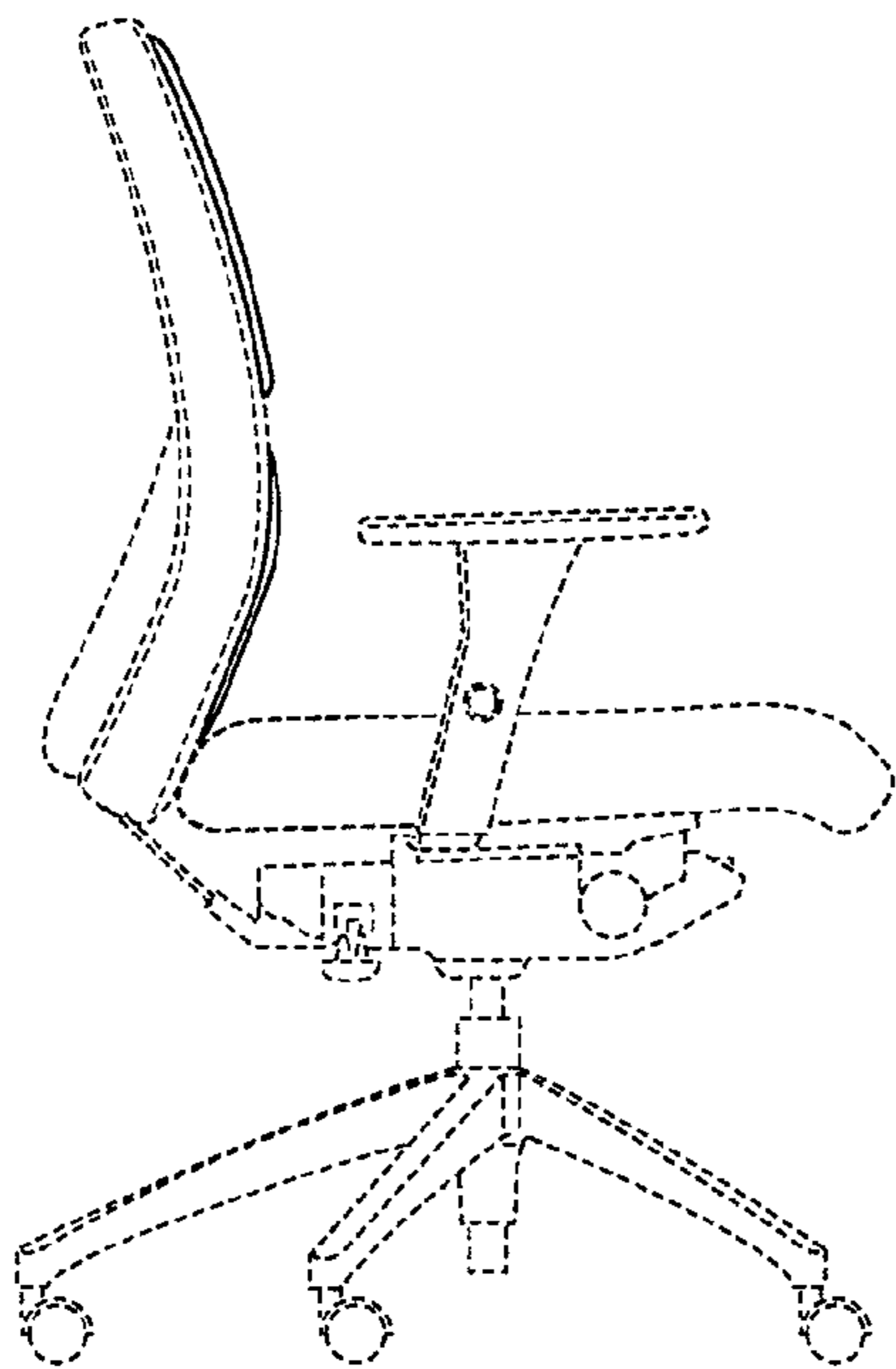


FIG. 11

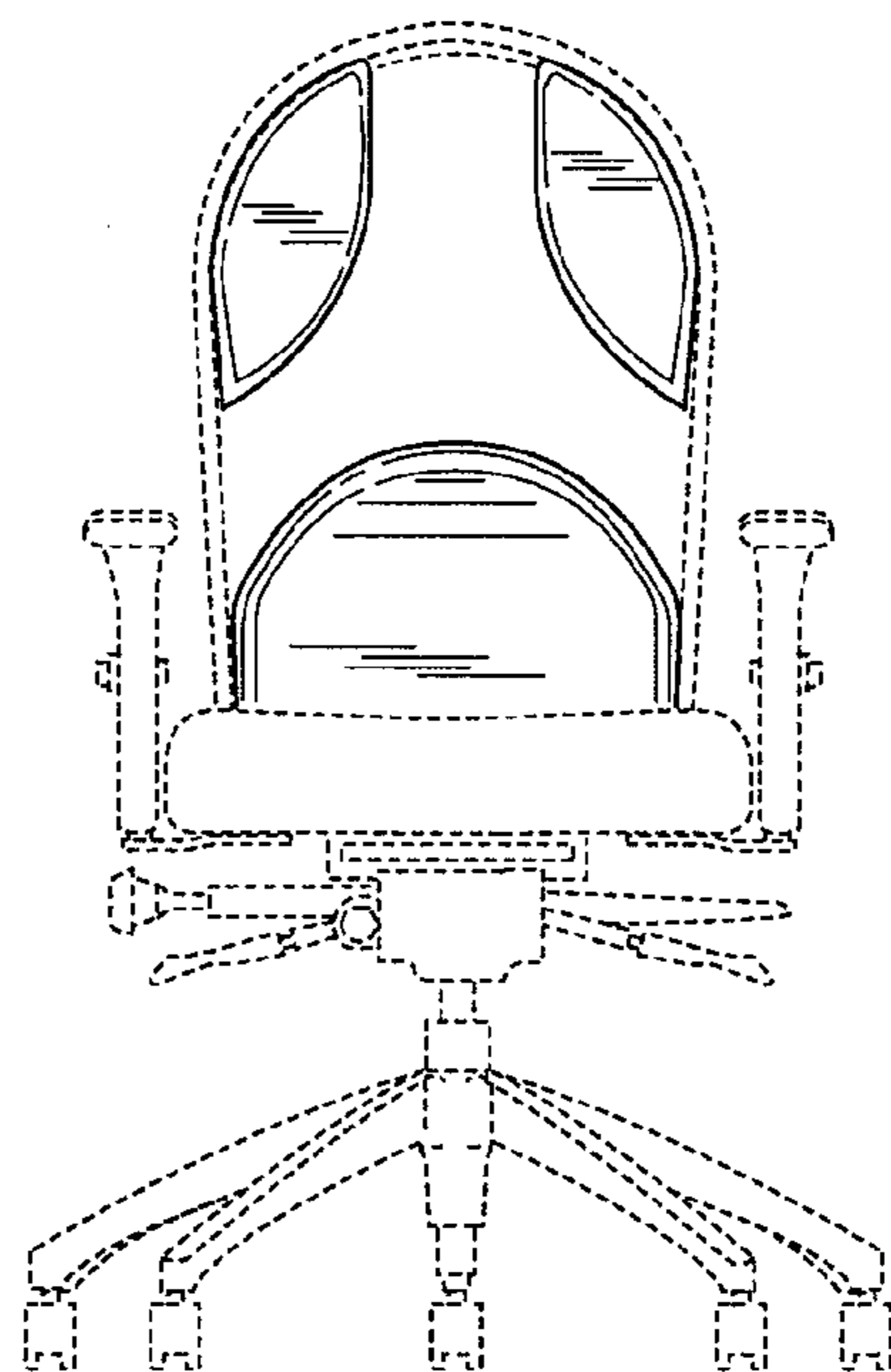


FIG. 12

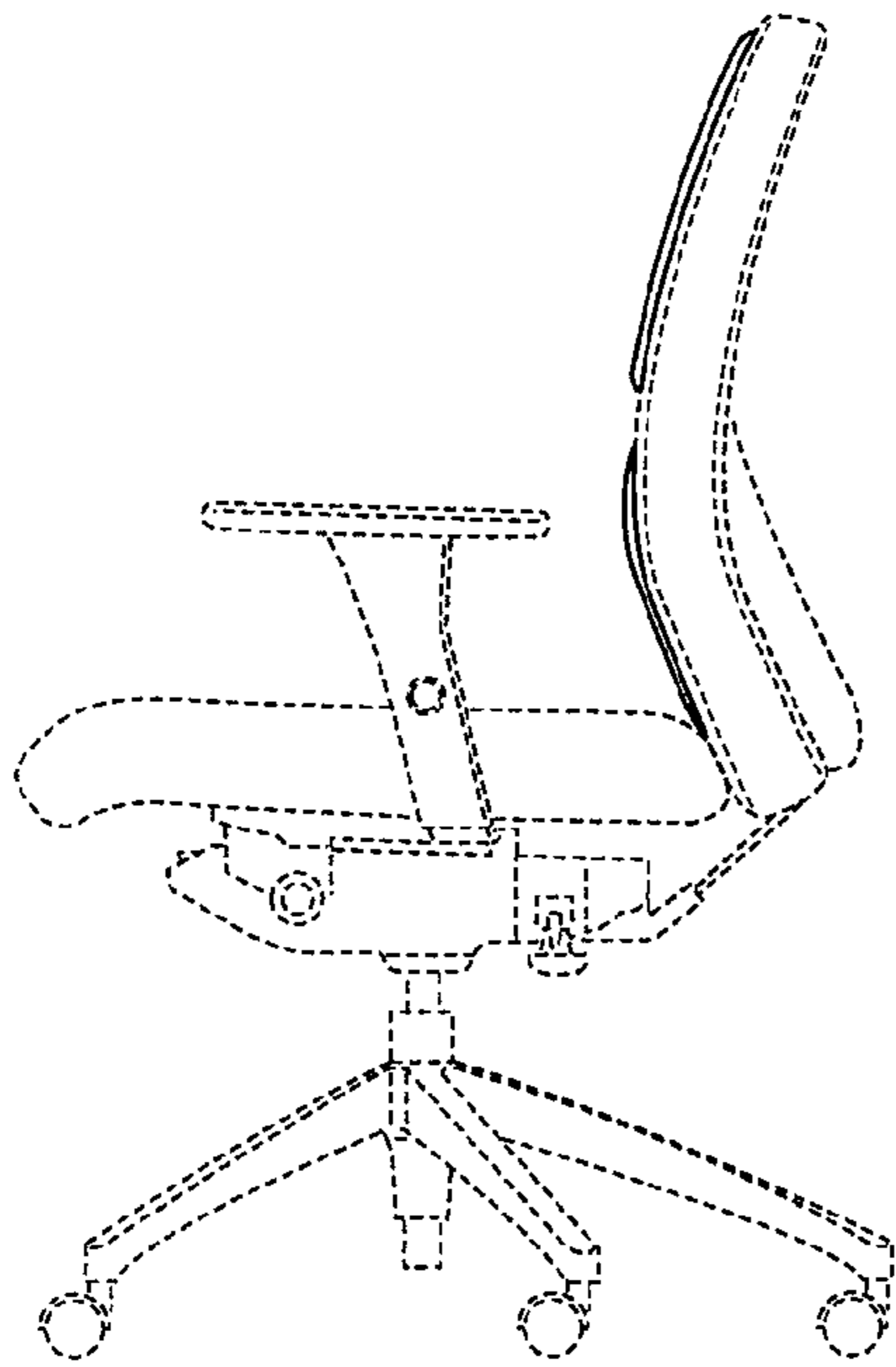


FIG. 13

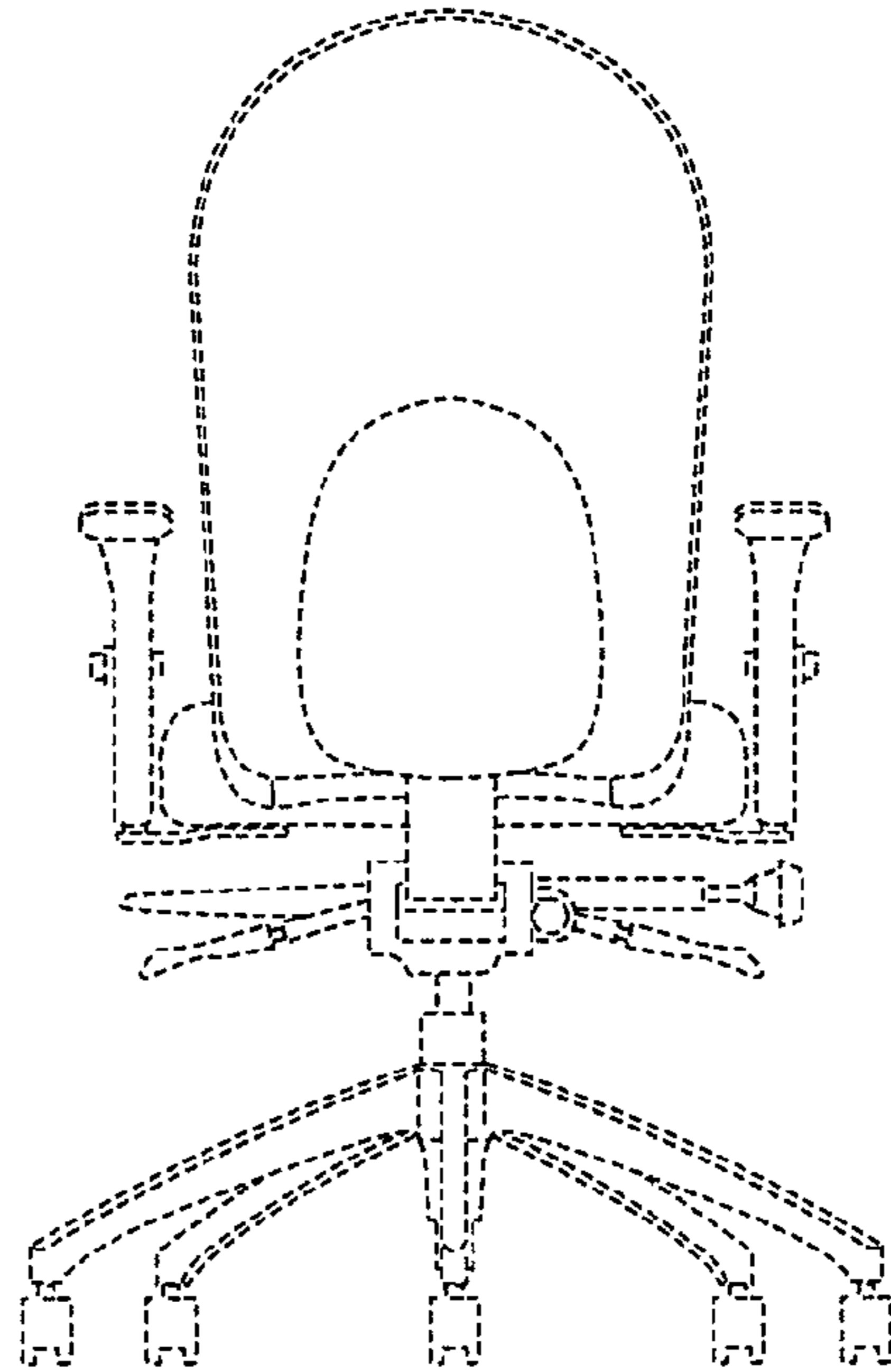


FIG. 14

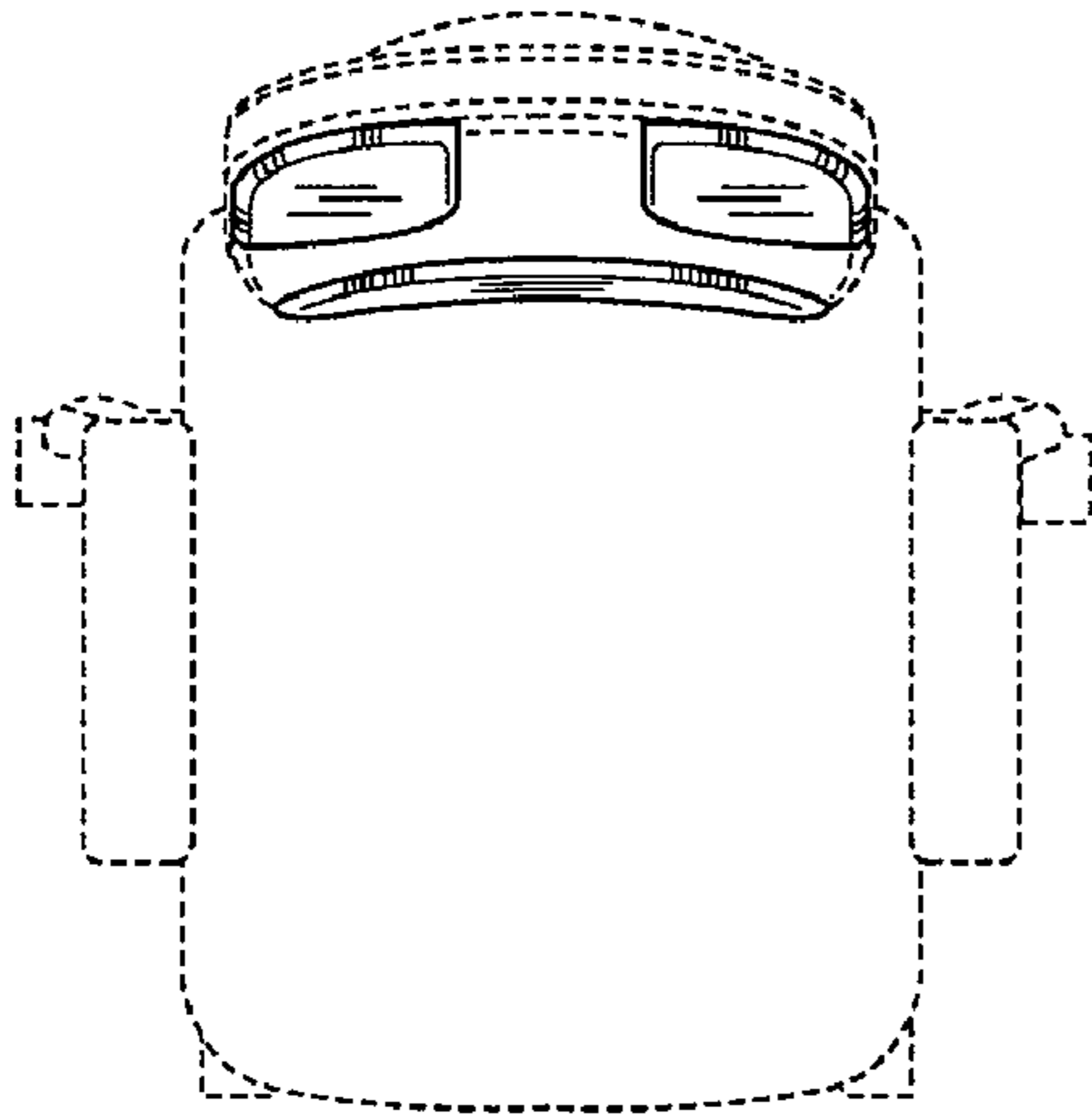


FIG. 15

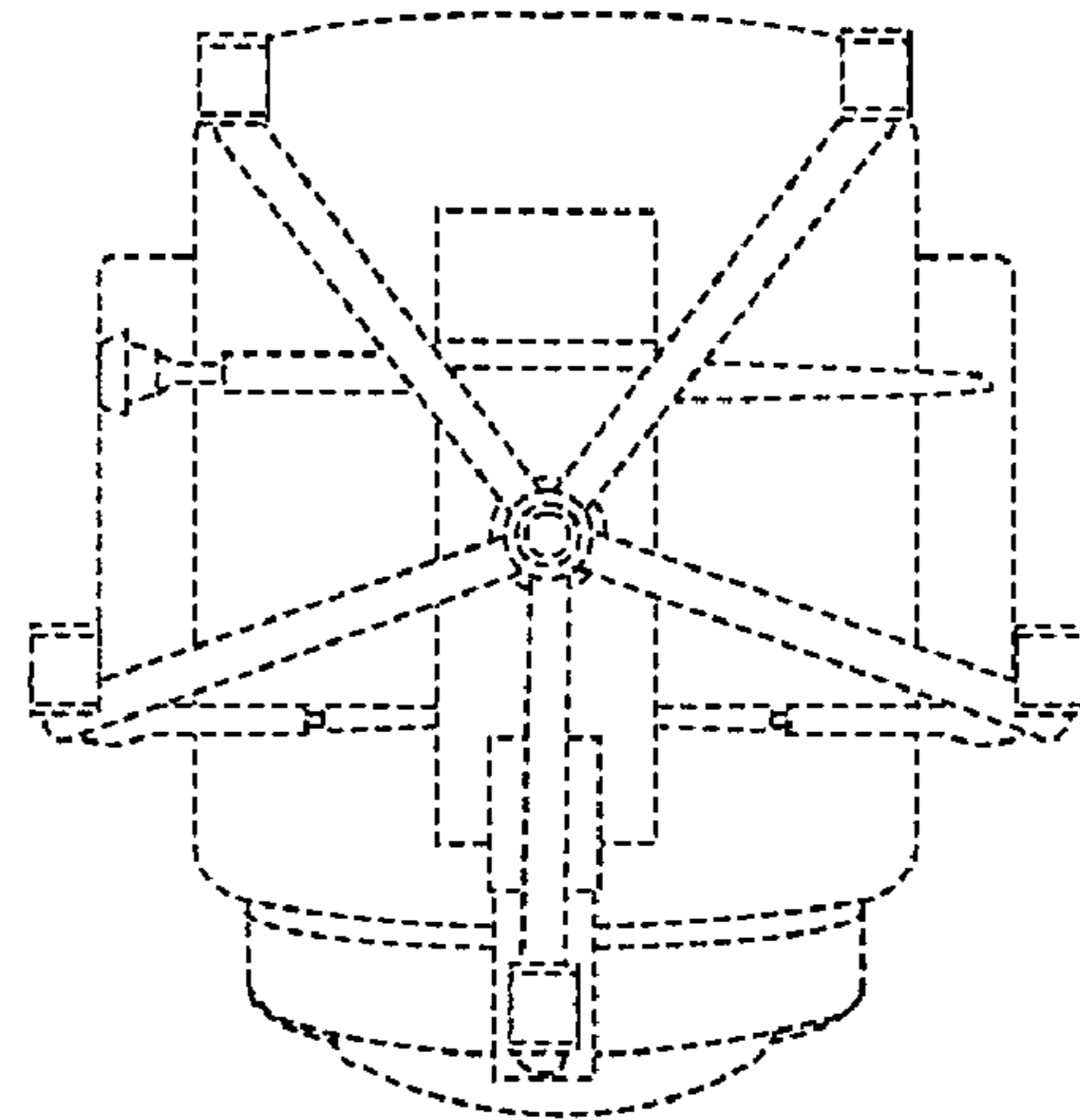


FIG. 16