



US00D575560S

(12) **United States Design Patent**  
**English**

(10) **Patent No.:** **US D575,560 S**

(45) **Date of Patent:** **\*\* Aug. 26, 2008**

(54) **ADJUSTABLY POSITIONABLE SNEEZE GUARD**

(76) Inventor: **Douglas A. English**, 3234 Monier Cir., Bldg. E, Rancho Cordova, CA (US) 95762

(\*\*) Term: **14 Years**

(21) Appl. No.: **29/296,884**

(22) Filed: **Oct. 30, 2007**

**Related U.S. Application Data**

(63) Continuation of application No. 11/055,926, filed on Feb. 10, 2005, now abandoned.

(51) **LOC (8) Cl.** ..... **06-04**

(52) **U.S. Cl.** ..... **D6/491**

(58) **Field of Classification Search** ..... D6/471, D6/491, 511, 470, 472, 509, 510, 481, 524; 211/85.4; 312/114, 116, 137, 138.1, 140.4; 362/218; D14/224

See application file for complete search history.

(56) **References Cited**

**U.S. PATENT DOCUMENTS**

D206,198 S *	11/1966	Molitor	.....	D6/509
4,013,880 A *	3/1977	Kennedy et al.	.....	362/218
D290,254 S *	6/1987	Arevalo	.....	D14/224
D300,591 S *	4/1989	Marchais	.....	D6/481
4,892,366 A *	1/1990	Yerman	.....	312/140.4
D308,779 S *	6/1990	Foster	.....	D6/491
D309,839 S *	8/1990	Newhouse	.....	D6/491
D329,762 S *	9/1992	Weeks	.....	D6/419
D337,462 S *	7/1993	LaVaute et al.	.....	D6/491
D347,343 S *	5/1994	Von Gunten et al.	.....	D6/491
5,584,545 A *	12/1996	LaVaute et al.	.....	312/140.4
D427,460 S *	7/2000	McGrath	.....	D6/491
6,132,018 A *	10/2000	McGrath	.....	312/140.4
6,485,118 B2 *	11/2002	Matus, Jr.	.....	312/137
D472,083 S *	3/2003	English et al.	.....	D6/509
6,588,863 B1 *	7/2003	Yatchak et al.	.....	312/140.4

D492,866 S *	7/2004	Graves et al.	.....	D6/524
D497,739 S *	11/2004	English et al.	.....	D6/471
7,040,723 B2 *	5/2006	Matus, Jr.	.....	312/140.4

\* cited by examiner

*Primary Examiner*—Caron D. Veynar

*Assistant Examiner*—Sydney R Buffalow

(74) *Attorney, Agent, or Firm*—Catherine Ashley Straight

(57) **CLAIM**

The ornamental design for an adjustably positionable sneeze guard, as shown and described.

**DESCRIPTION**

FIG. 1 is a perspective view of an adjustably positionable sneeze guard, showing my new design;

FIG. 2 is a left side elevational view, thereof, the right side elevational view thereof being a mirror image;

FIG. 3 is a top plan view, thereof;

FIG. 4 is a front elevational view, thereof;

FIG. 5 is a rear elevational view, thereof;

FIG. 6 is a bottom plan view, thereof;

FIG. 7 is a left side elevational view as in FIG. 2, but showing the flexible support legs in a bent backward position, with the transparent panel raised and tilted backward into an alternate position;

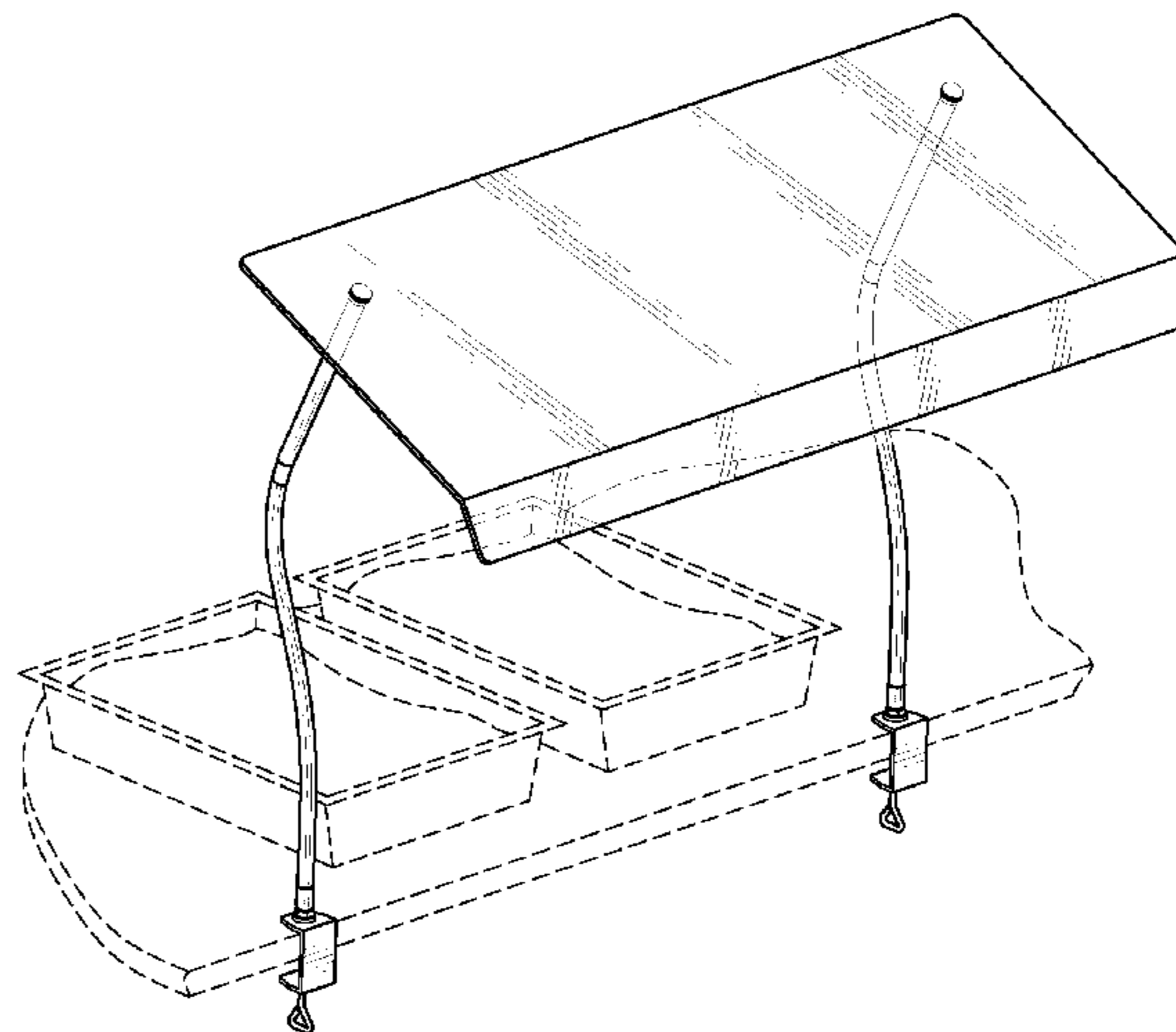
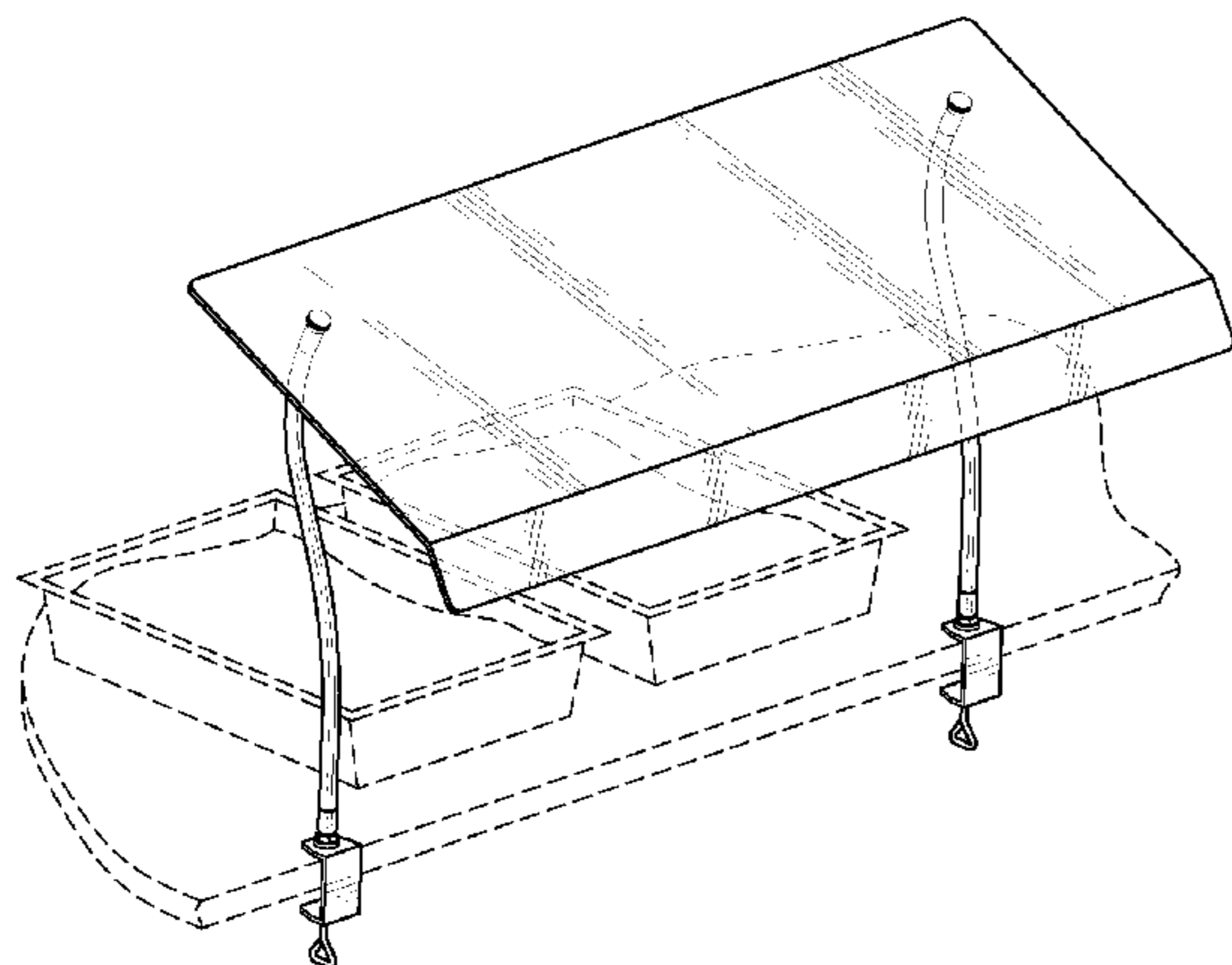
FIG. 8 is a left side elevational view as in FIG. 2, but showing the flexible support legs in a bent forward position, with the transparent panel angled forward at a nearly vertical angle into a further alternate position;

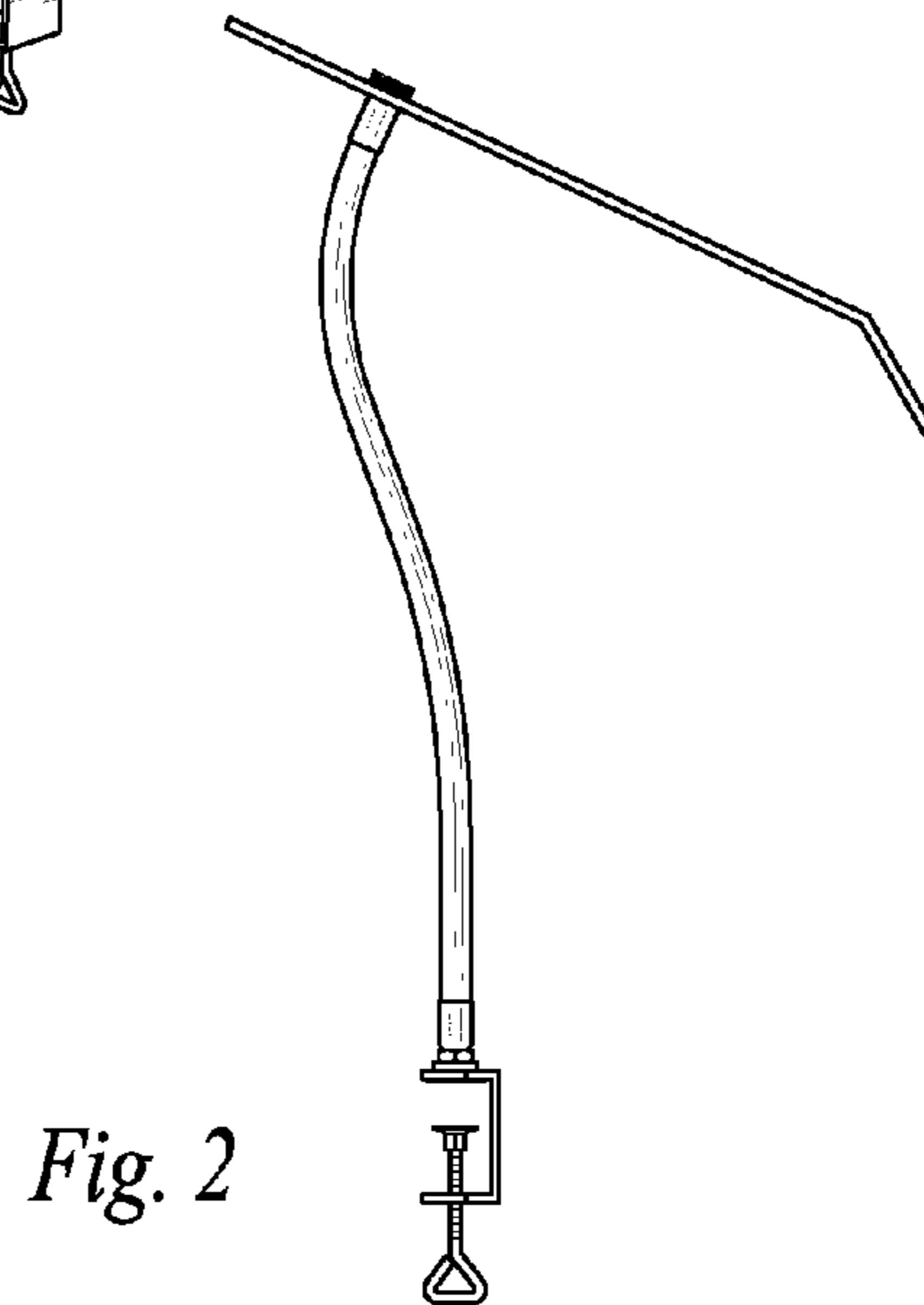
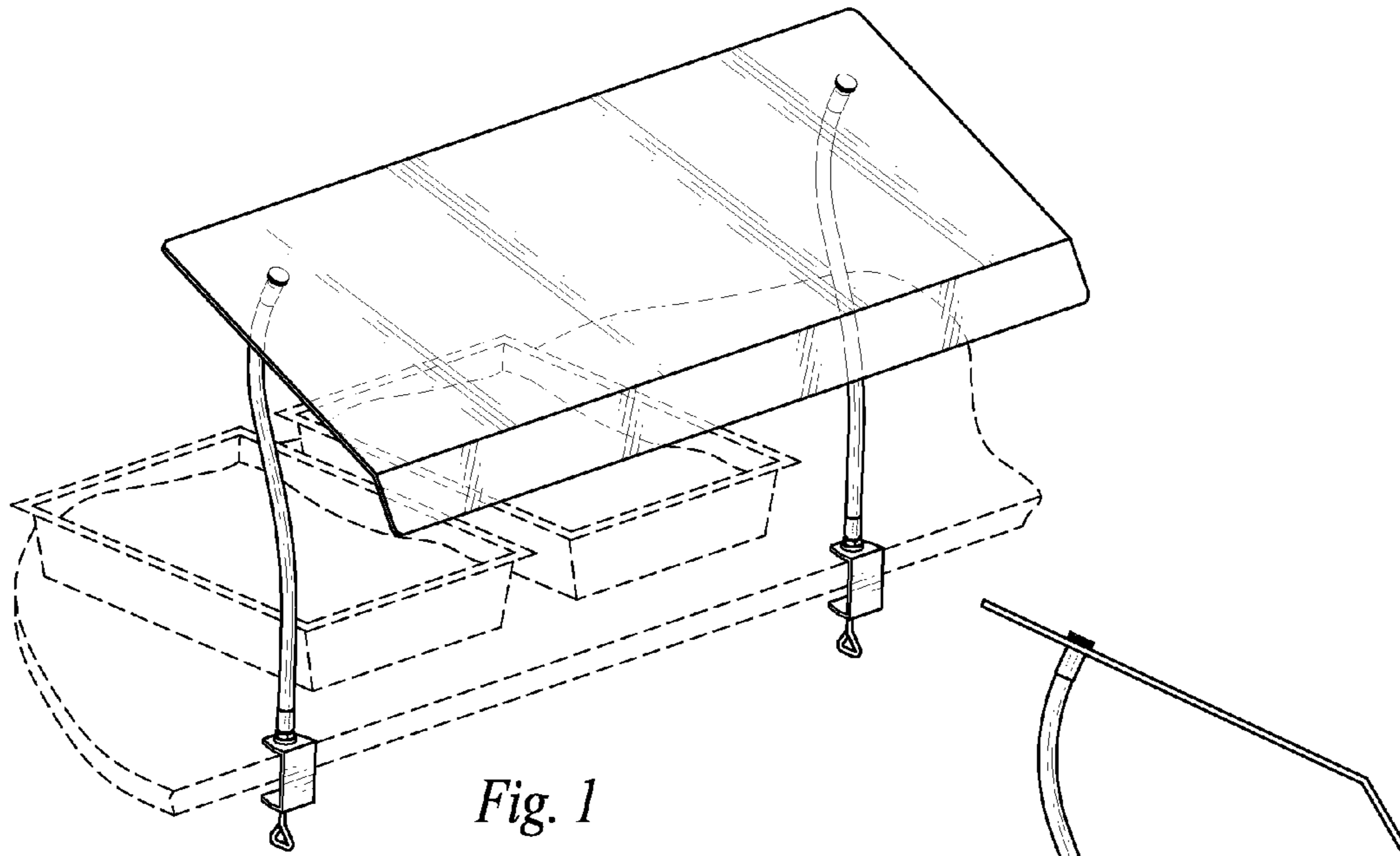
FIG. 9 is a perspective view of a second embodiment of the adjustably positionable sneeze guard; and,

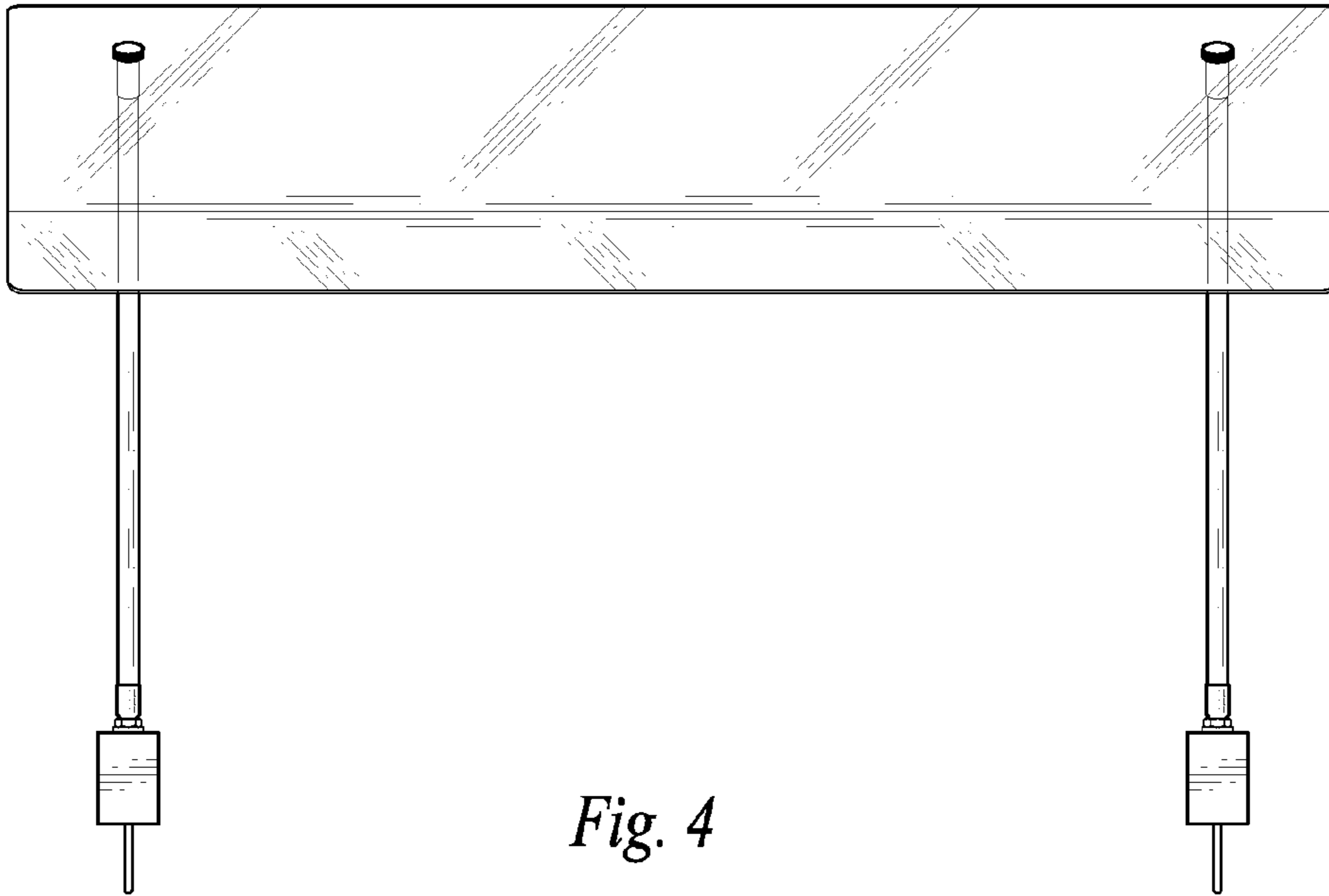
FIG. 10 is a left side elevational view of FIG. 9, thereof, the right side being a mirror image.

The broken lines showing the environment in FIGS. 1 and 9 are for illustrative purposes only and form no part of the claimed design.

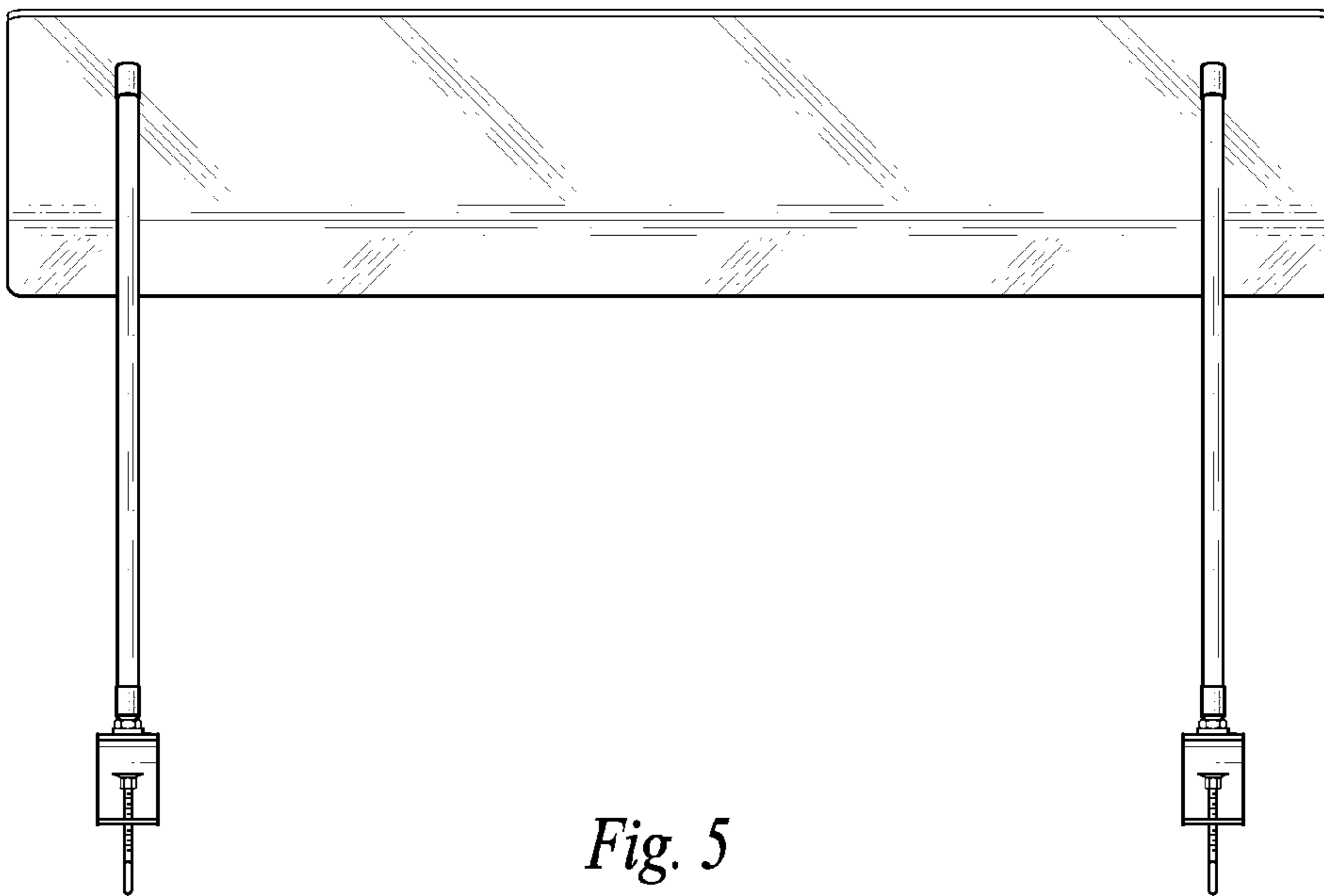
**1 Claim, 3 Drawing Sheets**



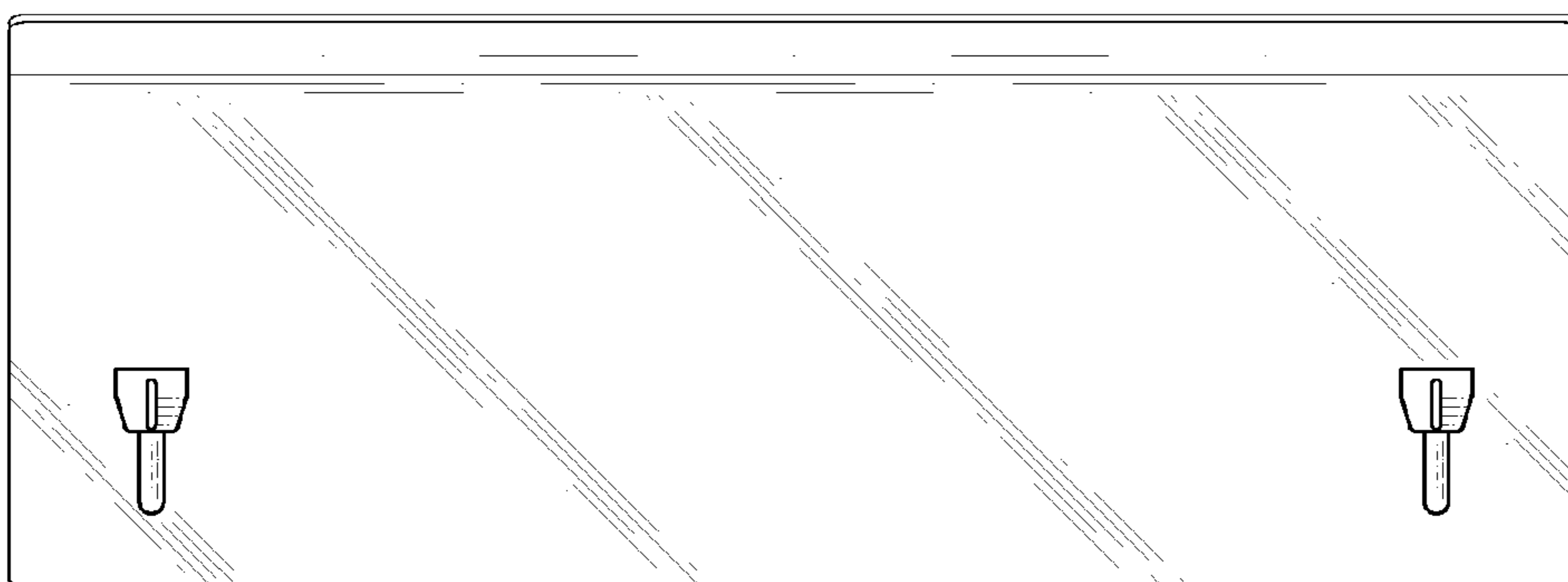




*Fig. 4*



*Fig. 5*



*Fig. 6*

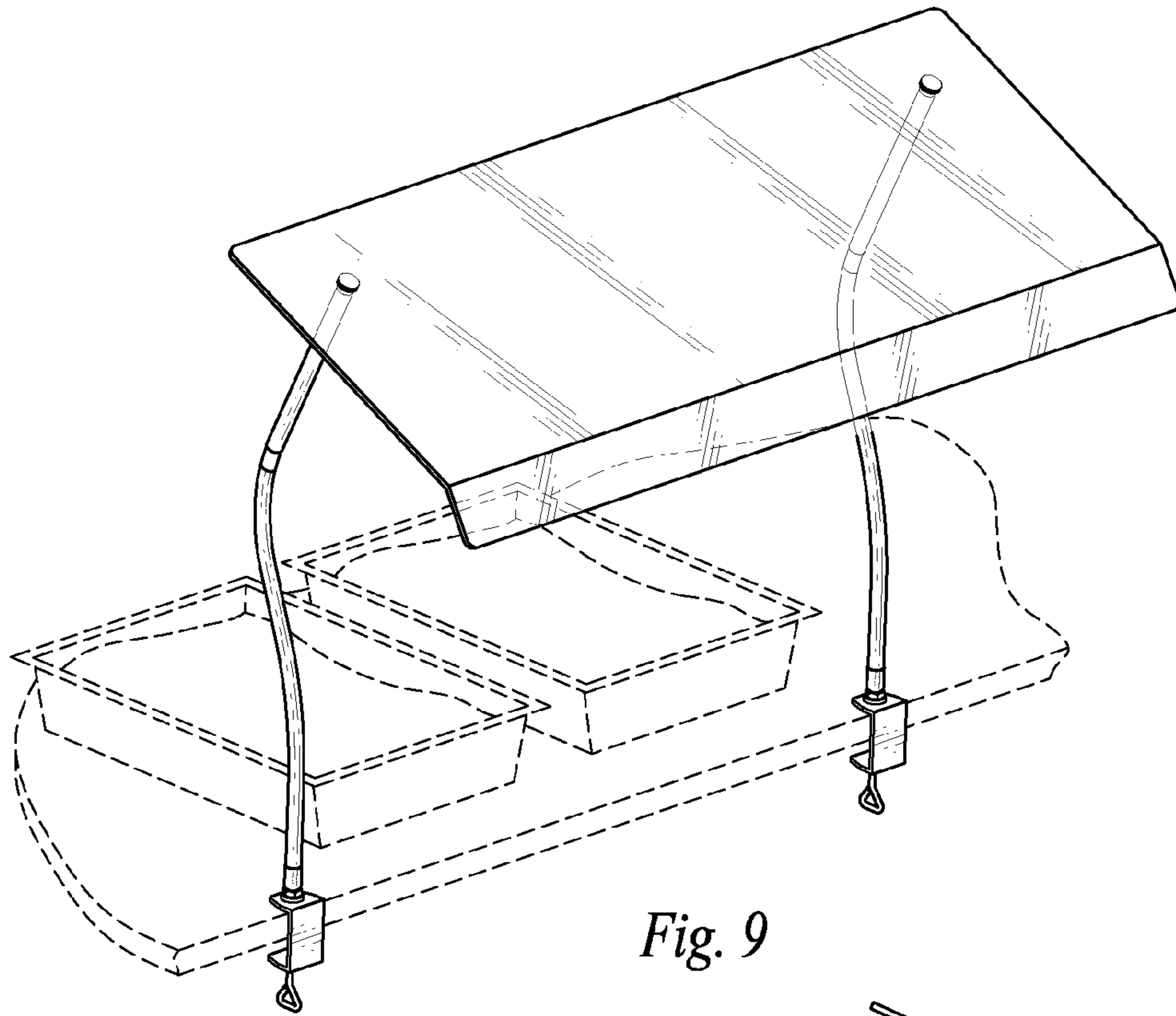


Fig. 9

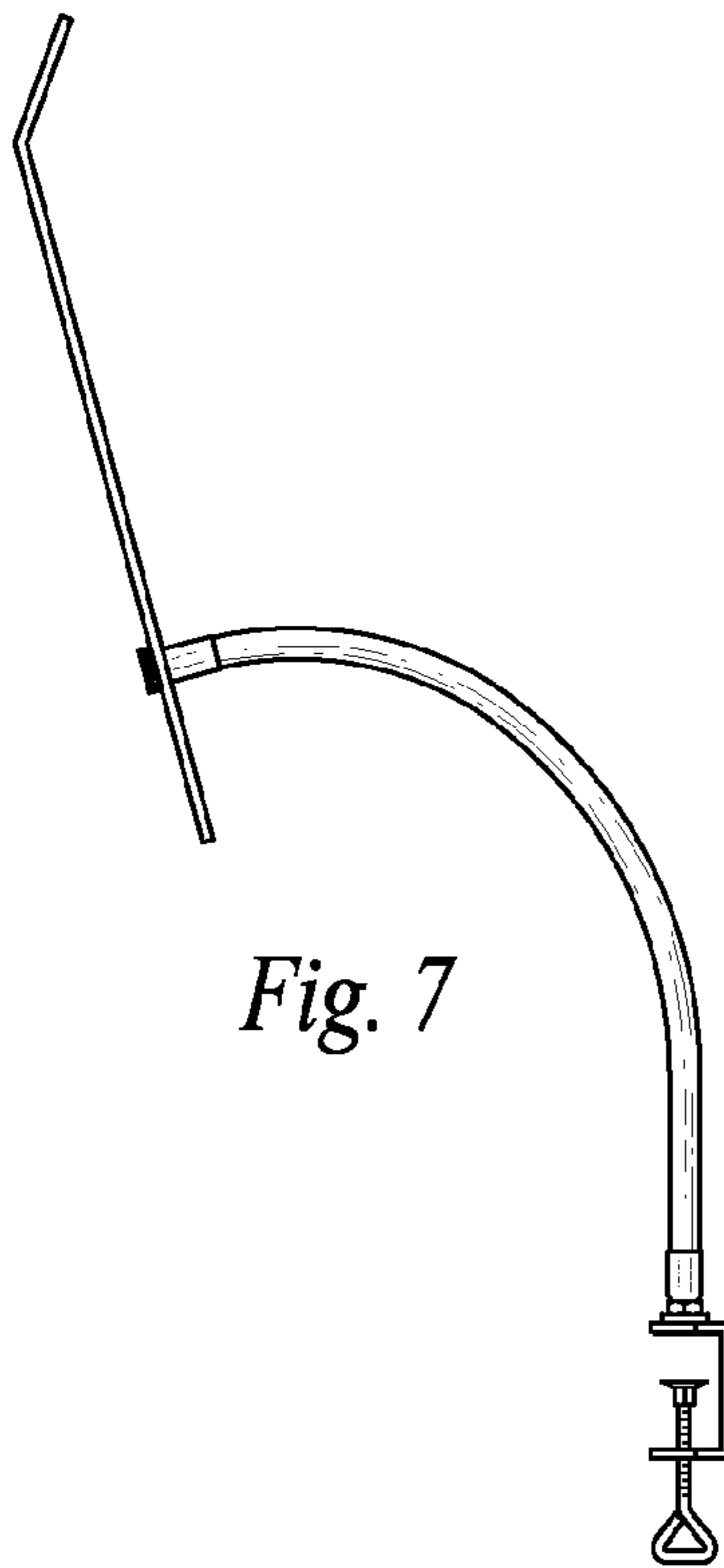


Fig. 7

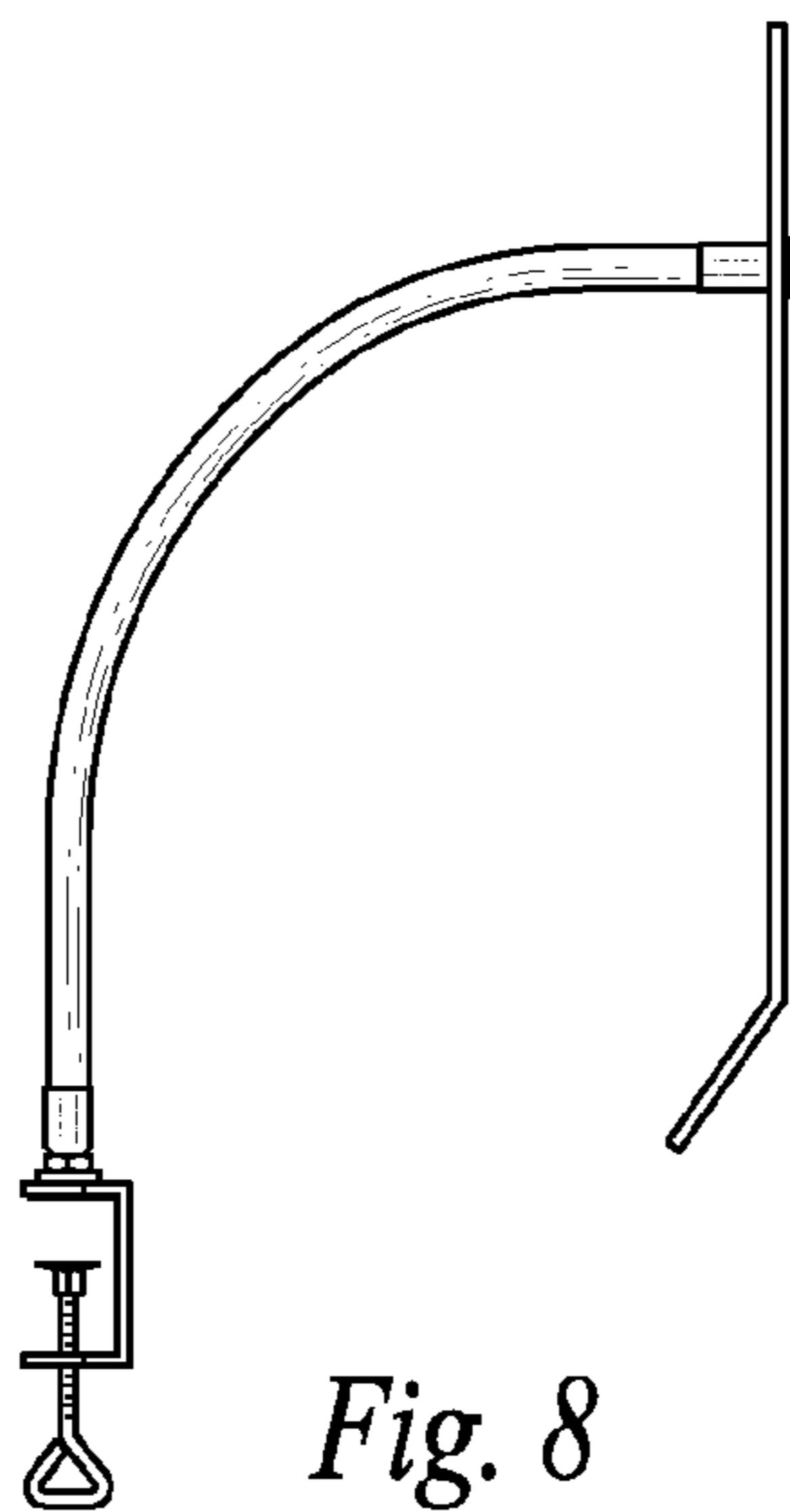


Fig. 8

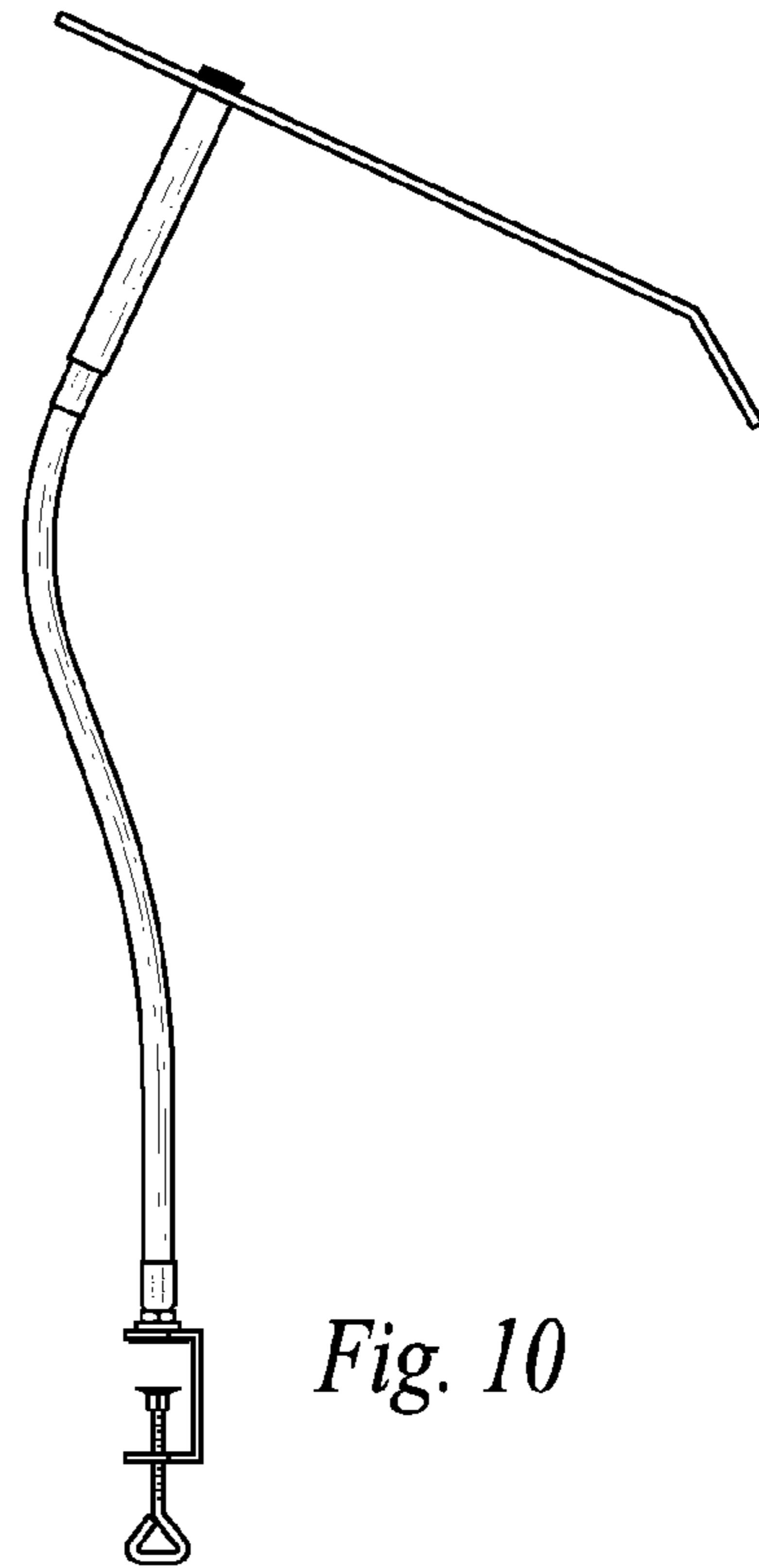


Fig. 10