



US00D575558S

(12) **United States Design Patent**  
**Garzon**

(10) **Patent No.:** **US D575,558 S**

(45) **Date of Patent:** **\*\* Aug. 26, 2008**

(54) **TABLE**

(75) Inventor: **Alex Garzon**, 303 Melvin Ave.,  
Morrisville, PA (US) 19067

(73) Assignee: **Alex Garzon**, Morrisville, PA (US)

(\*\*) Term: **14 Years**

(21) Appl. No.: **29/283,657**

(22) Filed: **Aug. 20, 2007**

(51) **LOC (8) Cl.** ..... **06-03**

(52) **U.S. Cl.** ..... **D6/480**

(58) **Field of Classification Search** ..... D6/480-489,  
D6/495-499, 349, 511; 108/50.01, 50.02,  
108/150, 153.1, 155, 156, 161, 157.1; 248/188,  
248/188.1, 188.7, 188.8

See application file for complete search history.

(56) **References Cited**

**U.S. PATENT DOCUMENTS**

D200,466 S \* 3/1965 Eby ..... D6/349  
D217,908 S \* 6/1970 de Rebeval ..... D6/349  
D303,877 S \* 10/1989 Norton ..... D6/349

D415,909 S \* 11/1999 Valderen ..... D6/480  
D566,976 S \* 4/2008 Pattison ..... D6/349

\* cited by examiner

*Primary Examiner*—Janice E Seeger

(57) **CLAIM**

The ornamental design for a table, as shown and described.

**DESCRIPTION**

FIG. 1 is a side top perspective view of a table showing my new design;

FIG. 2 is a side bottom perspective view thereof;

FIG. 3 is a front top perspective view thereof;

FIG. 4 is a front left perspective view thereof;

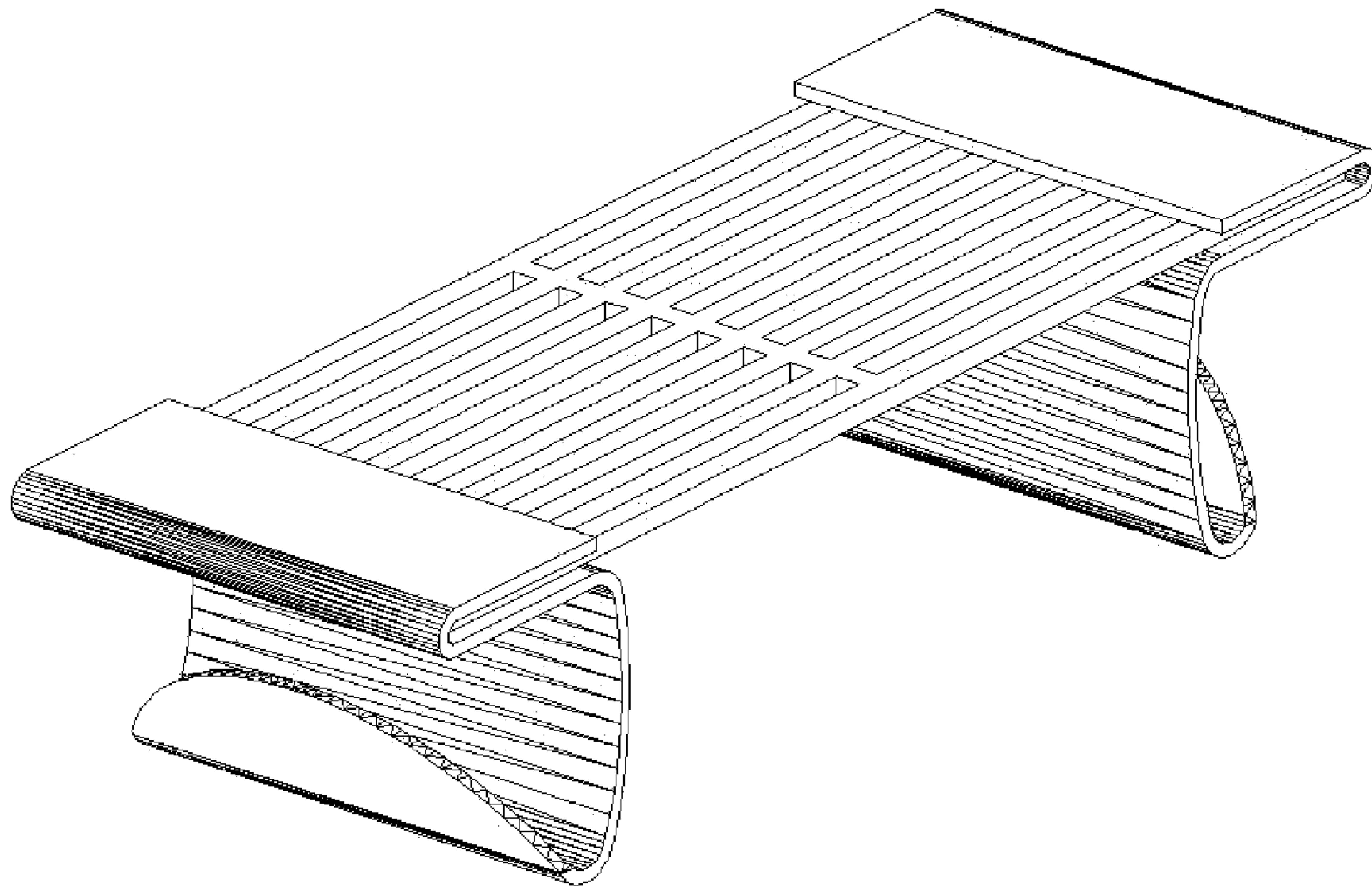
FIG. 5 is a front bottom perspective view thereof;

FIG. 6 is a top view thereof;

FIG. 7 is a left side view thereof, the opposite side being a mirror image thereof; and,

FIG. 8 is a front side view thereof, the opposite side being a mirror image thereof.

**1 Claim, 3 Drawing Sheets**



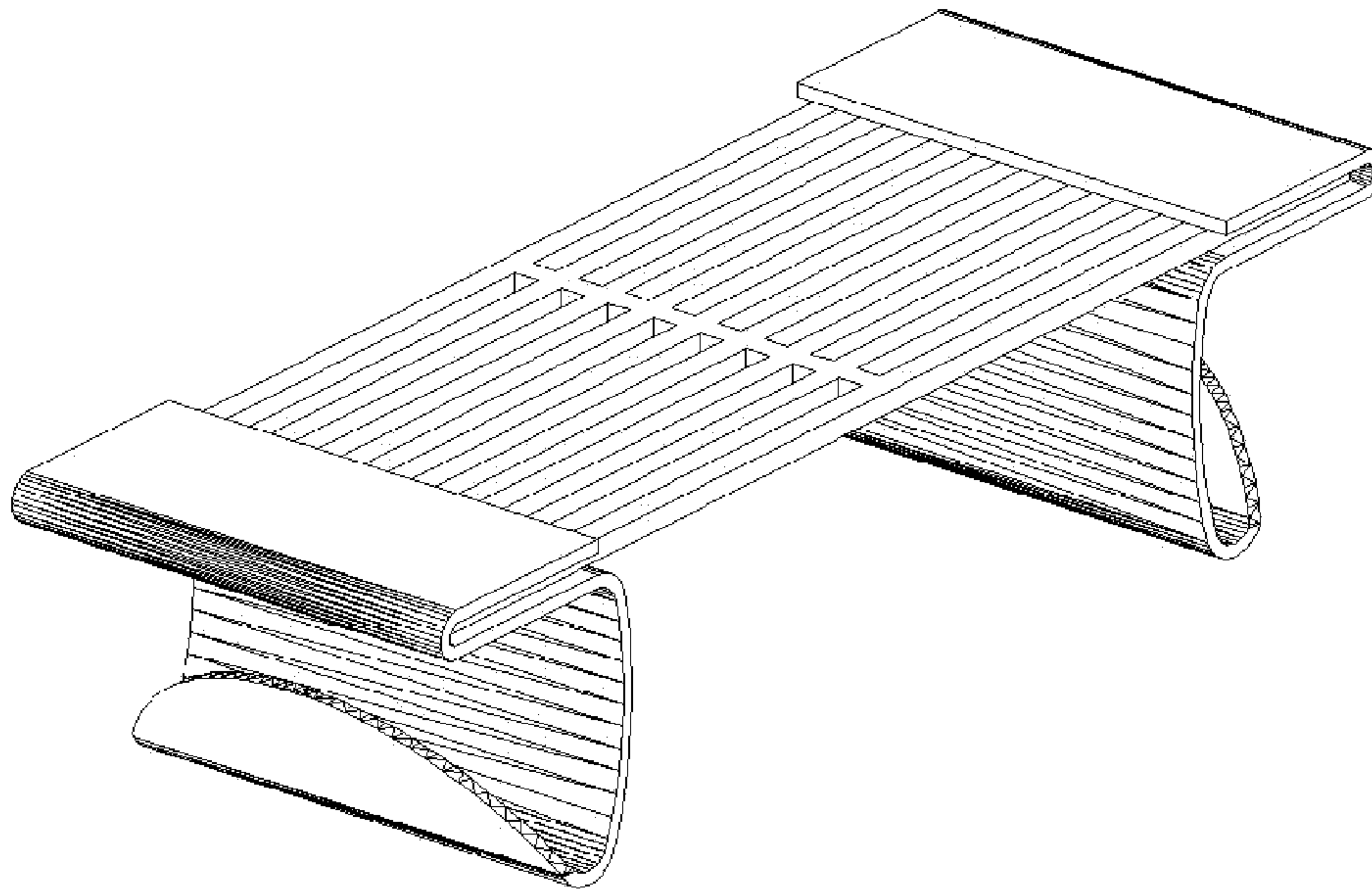


FIG. 1

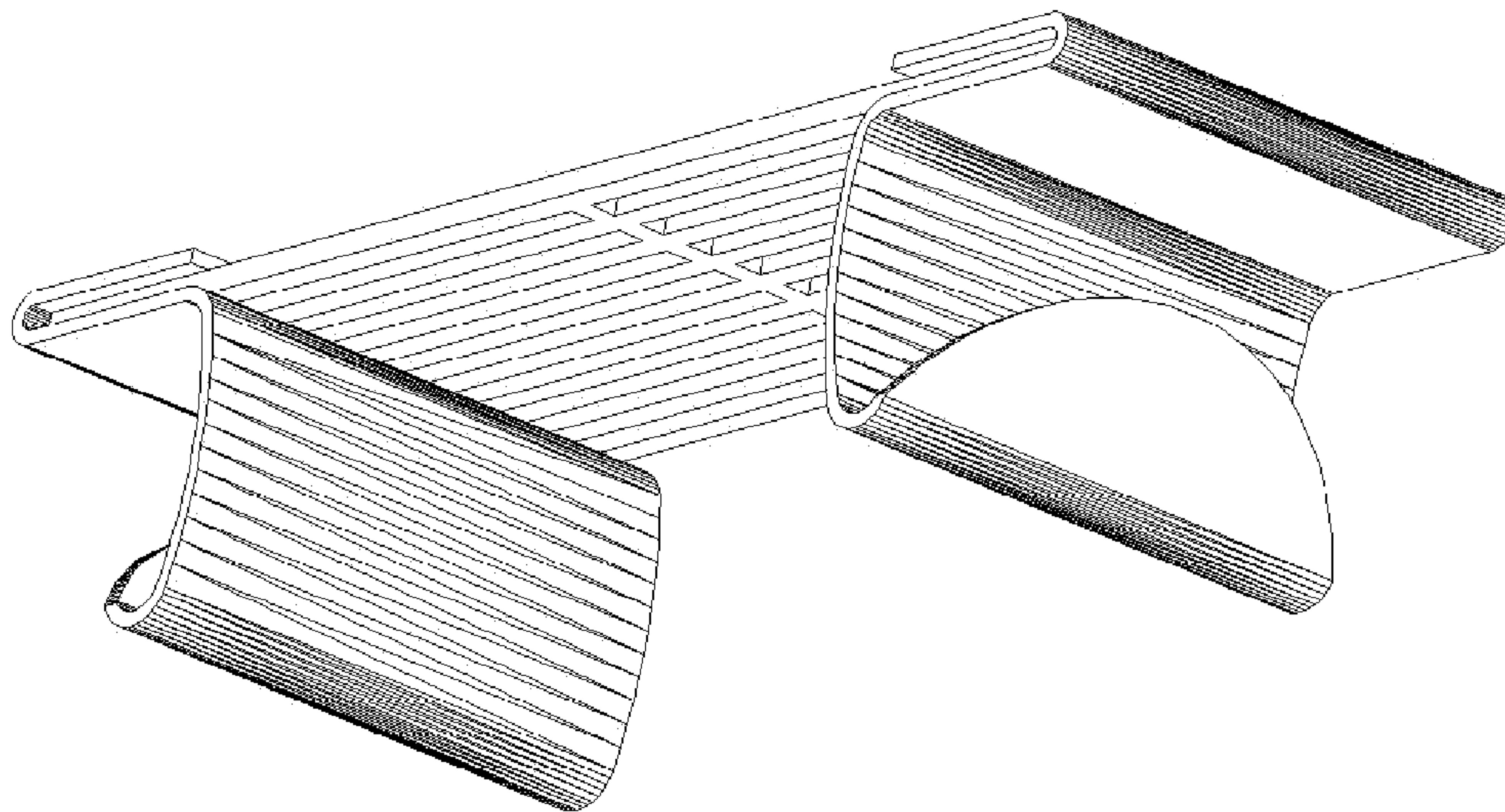


FIG. 2

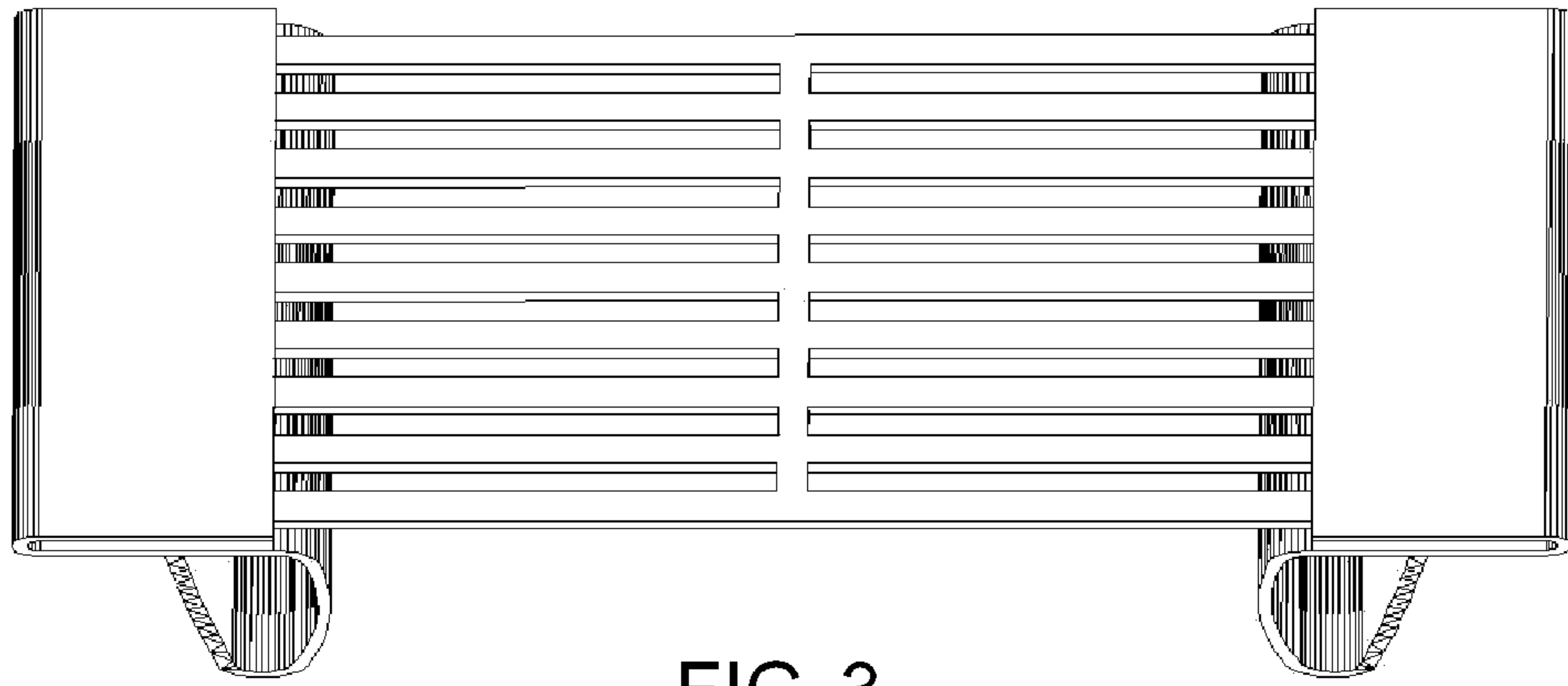


FIG. 3

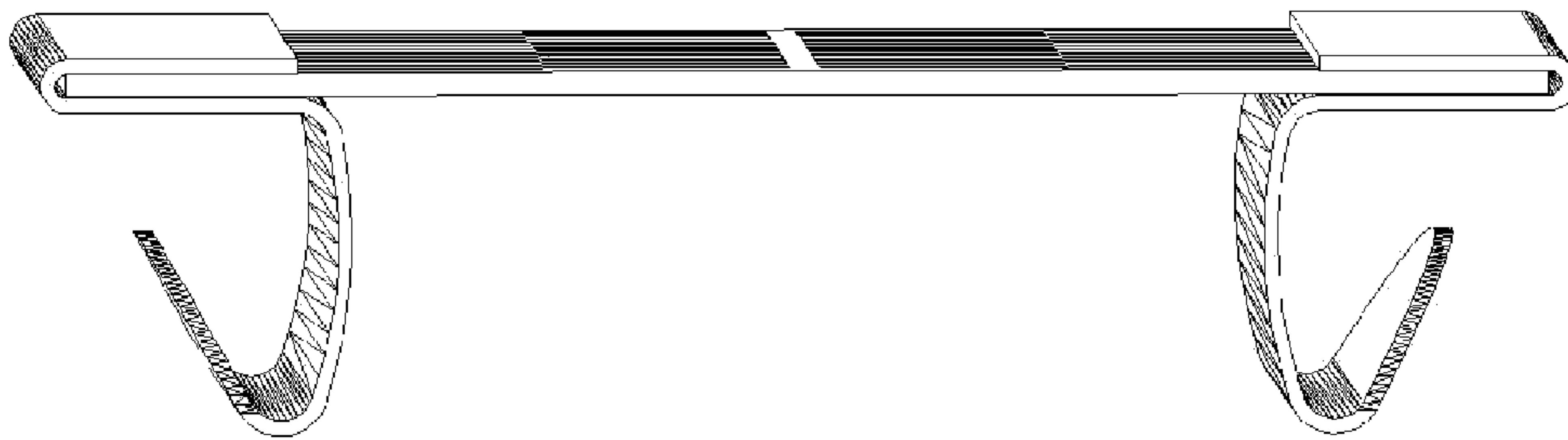


FIG. 4

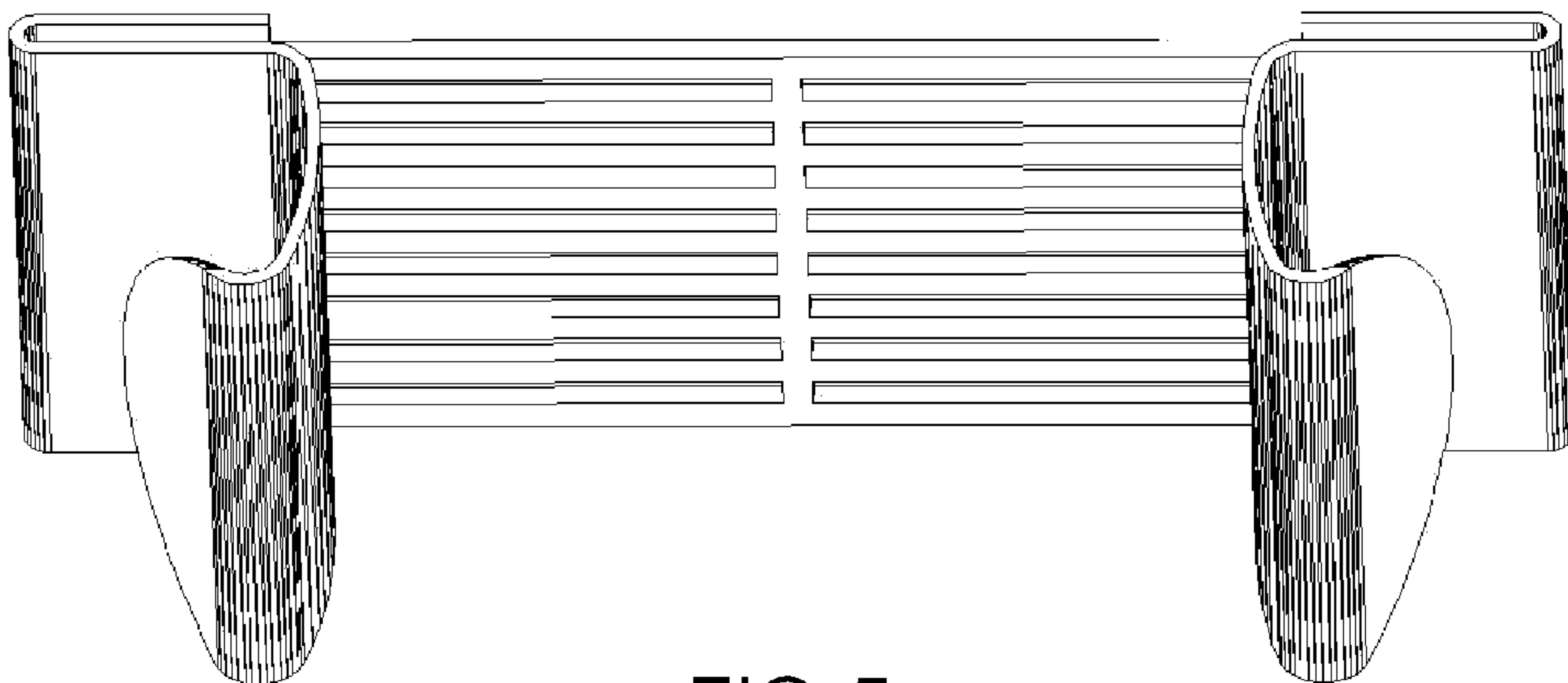


FIG. 5

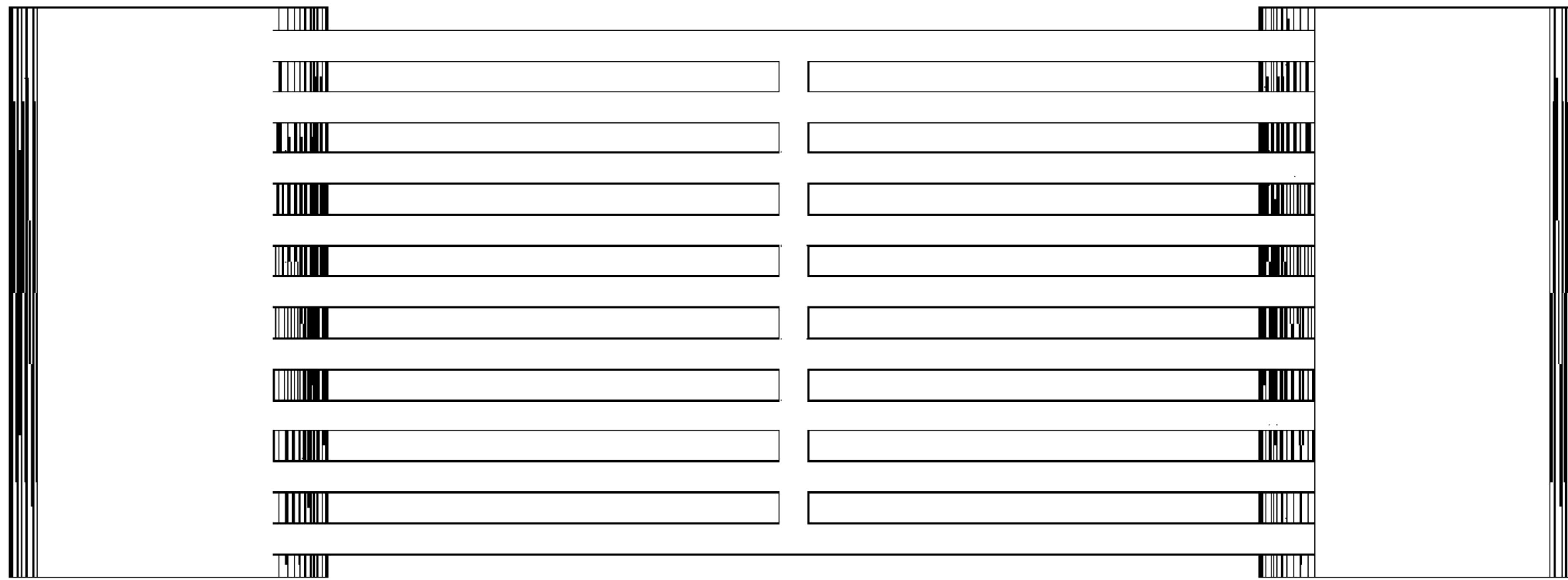


FIG. 6

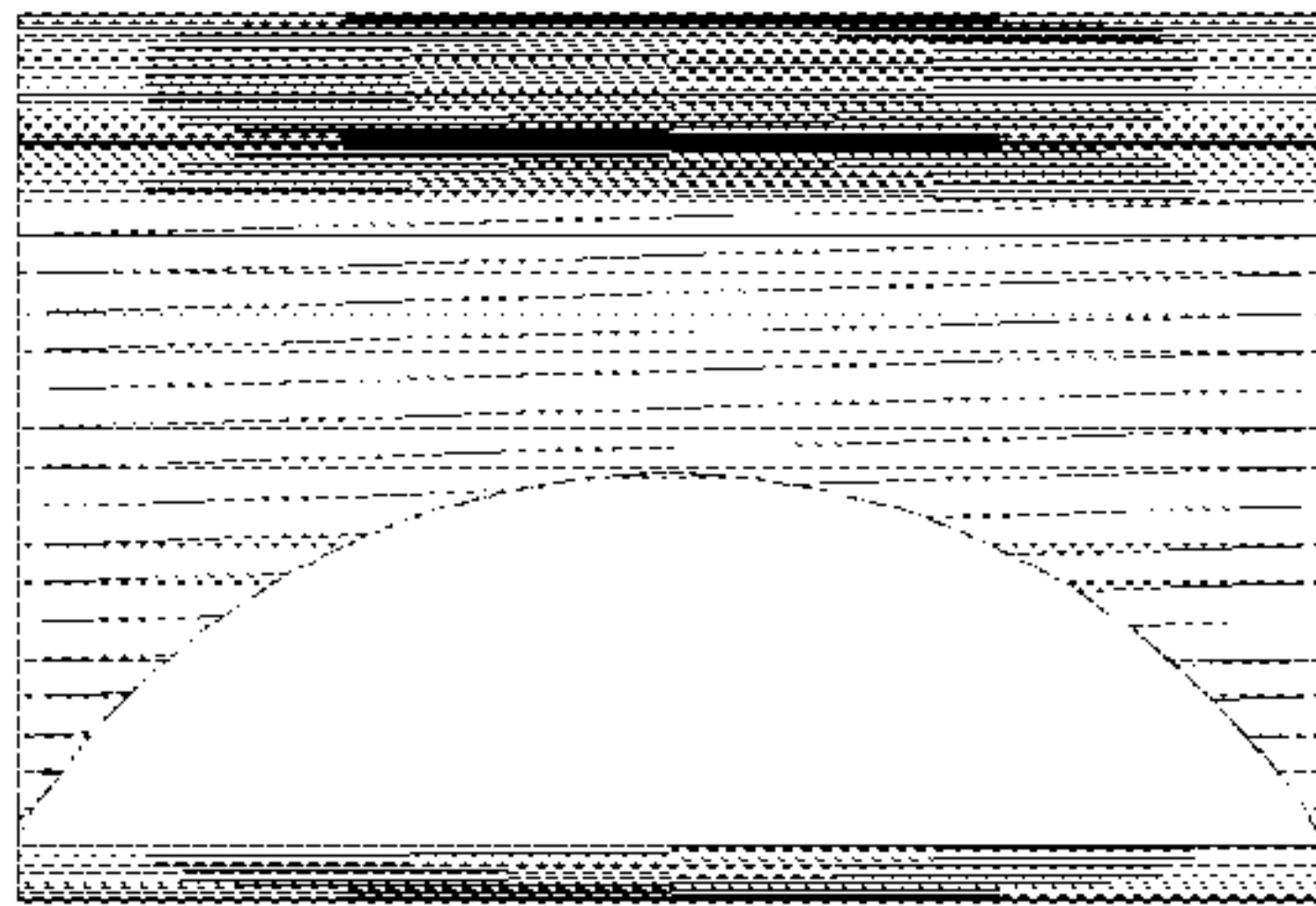


FIG. 7



FIG. 8