



US00D575557S

(12) **United States Design Patent**
Sexton

(10) **Patent No.:** **US D575,557 S**

(45) **Date of Patent:** **** Aug. 26, 2008**

(54) **TELEVISION STAND**

D515,848 S * 2/2006 Takami et al. D6/477
D539,057 S * 3/2007 Senda et al. D6/477

(75) Inventor: **James S. Sexton**, San Ramon, CA (US)

* cited by examiner

(73) Assignee: **Z-Line Designs, Inc.**, San Ramon, CA (US)

Primary Examiner—Elizabeth A. Albert

Assistant Examiner—Kelley A Donnelly

(**) Term: **14 Years**

(74) *Attorney, Agent, or Firm*—Townsend and Townsend and Crew LLP

(21) Appl. No.: **29/282,944**

(57) **CLAIM**

(22) Filed: **Aug. 1, 2007**

The ornamental design for television stand, as shown and described.

(51) **LOC (8) Cl.** **06-04**

(52) **U.S. Cl.** **D6/477**

(58) **Field of Classification Search** D6/477-479,
D6/474, 460-461, 466, 468, 511; 108/59,
108/91-92, 96; 211/40, 41.12, 42, 49.1,
211/50, 85.2, 187, 190; 312/9.1, 7.2, 107,
312/204, 238

See application file for complete search history.

DESCRIPTION

FIG. 1 is a perspective view of a television stand showing my new design;

FIG. 2 is a front elevational view thereof;

FIG. 3 is a rear elevational view thereof;

FIG. 4 is a left side elevational view thereof;

FIG. 5 is a right side elevational view thereof;

FIG. 6 is a top plan view thereof; and,

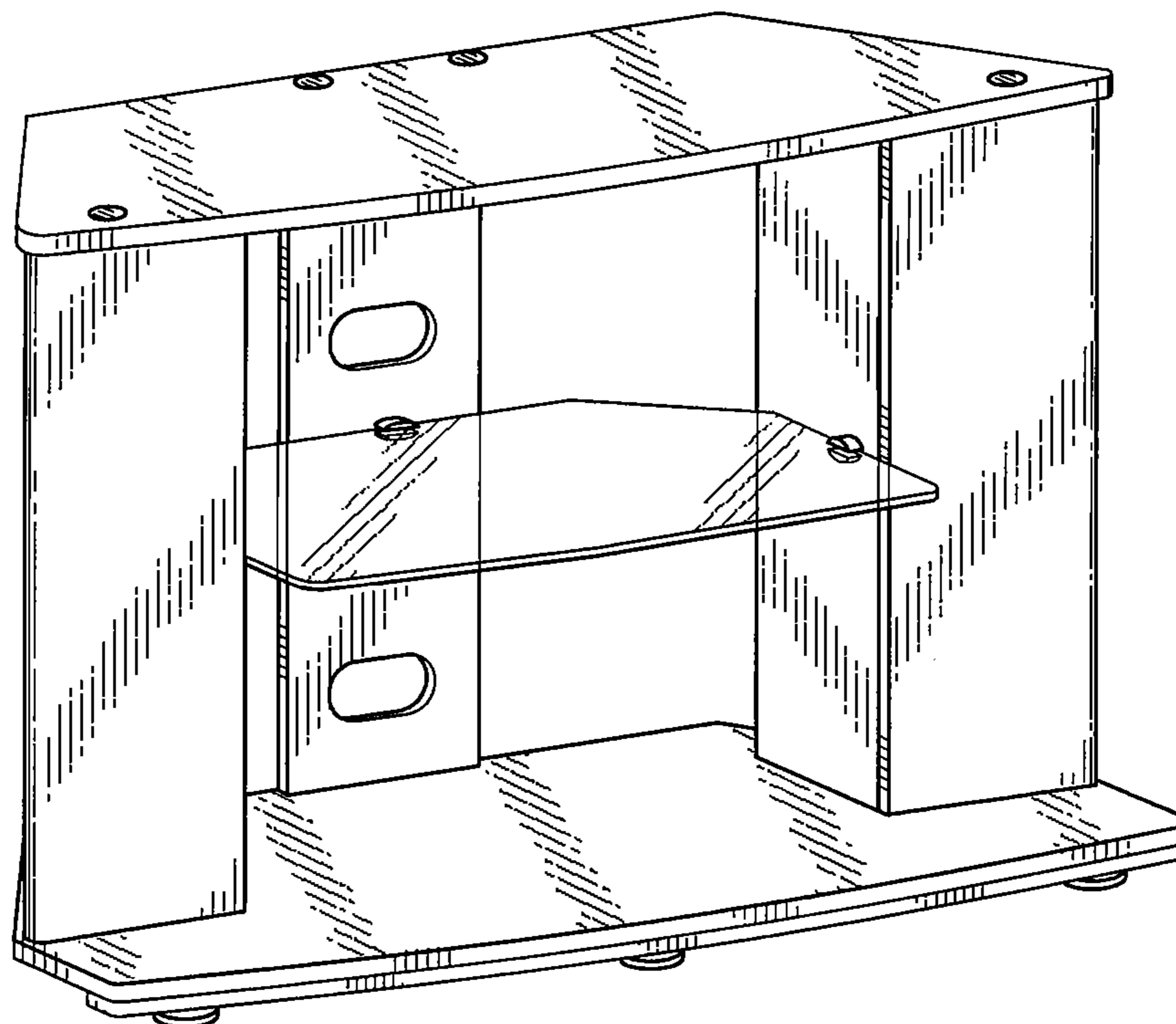
FIG. 7 is a bottom plan view thereof.

(56) **References Cited**

U.S. PATENT DOCUMENTS

D378,175 S * 2/1997 Hamami D6/479
D457,755 S * 5/2002 Sun et al. D6/479
D496,543 S * 9/2004 Forlenza D6/477
D497,060 S * 10/2004 Chang D6/477

1 Claim, 4 Drawing Sheets



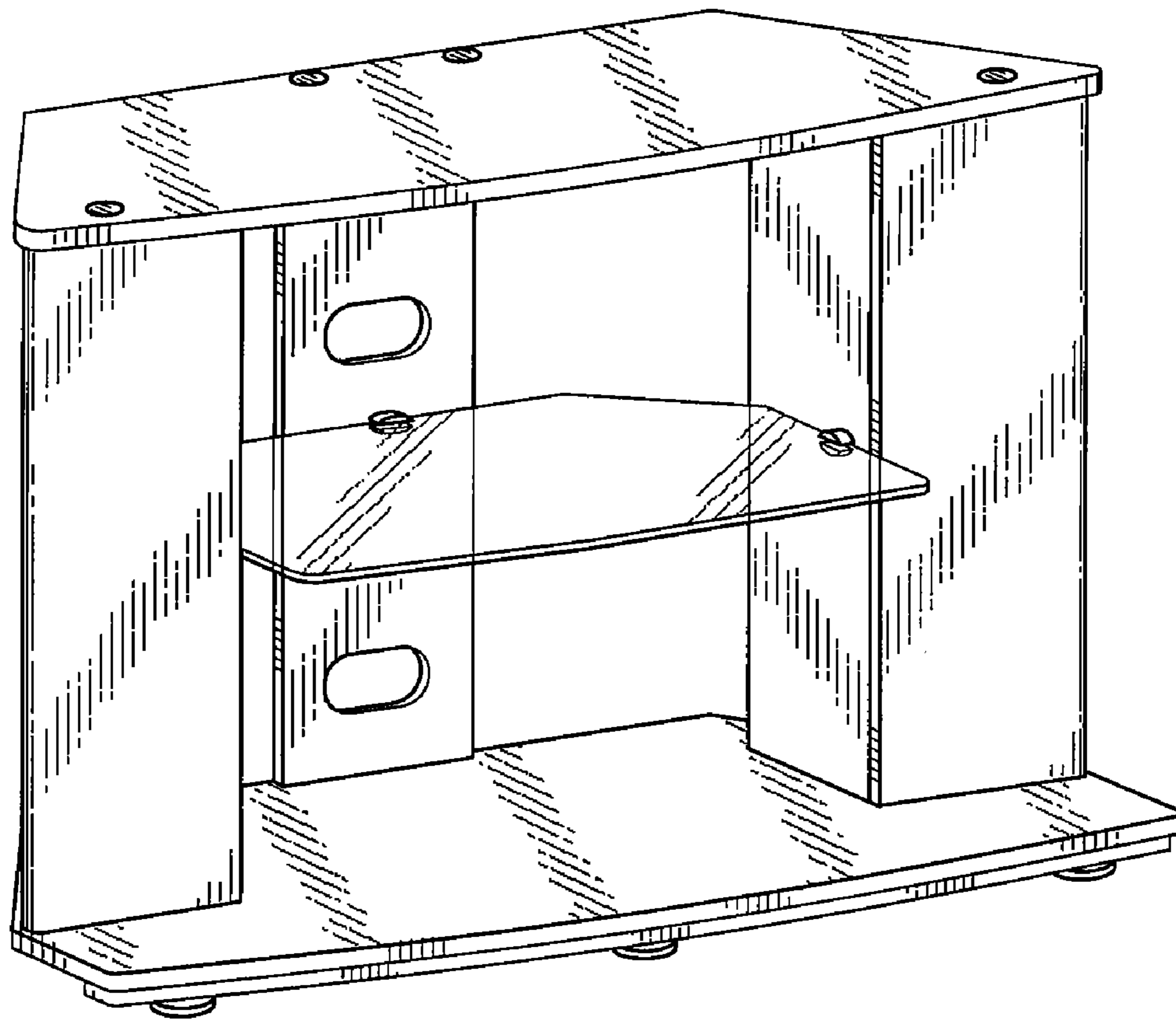


FIG. 1

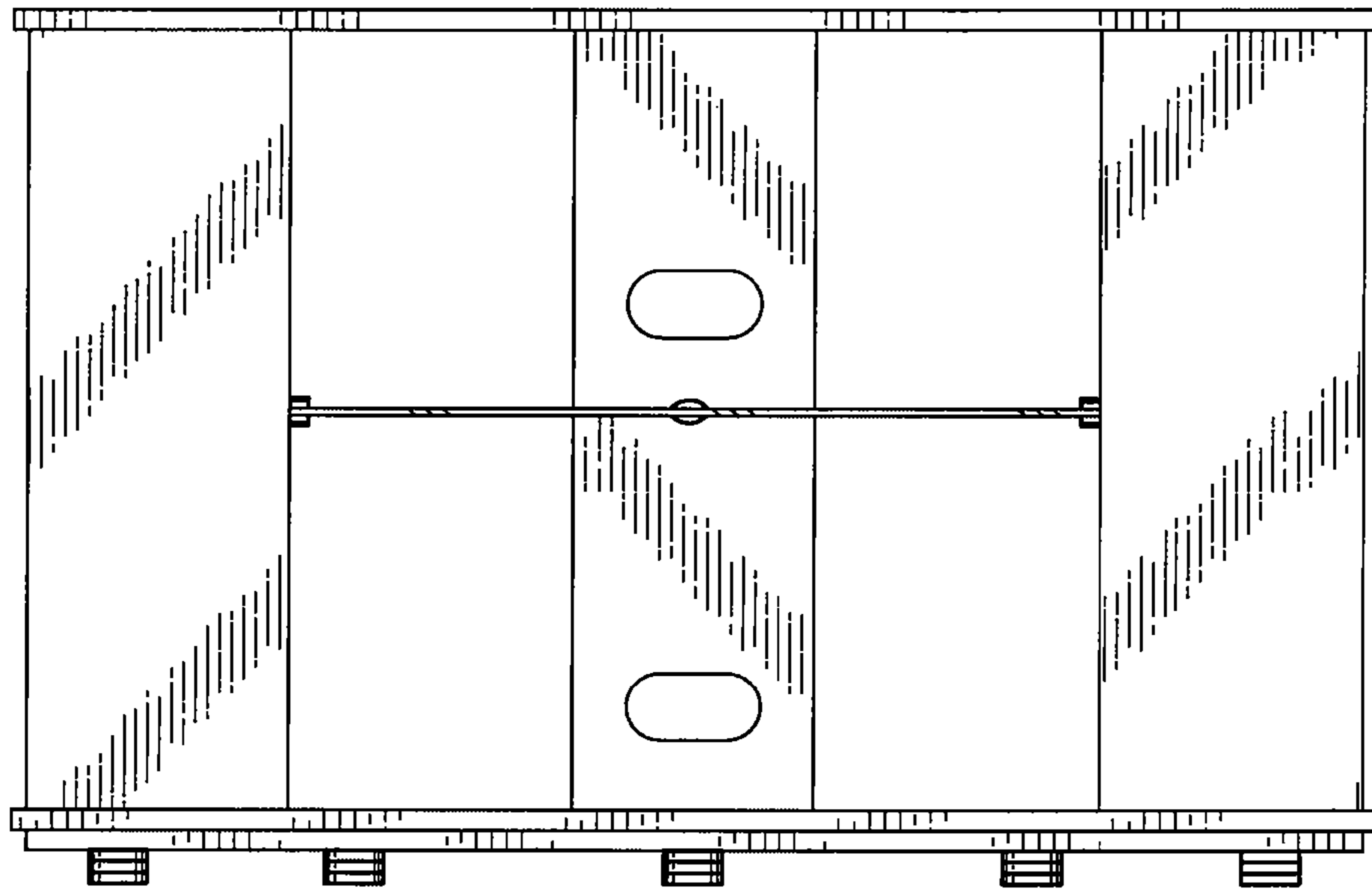


FIG. 2

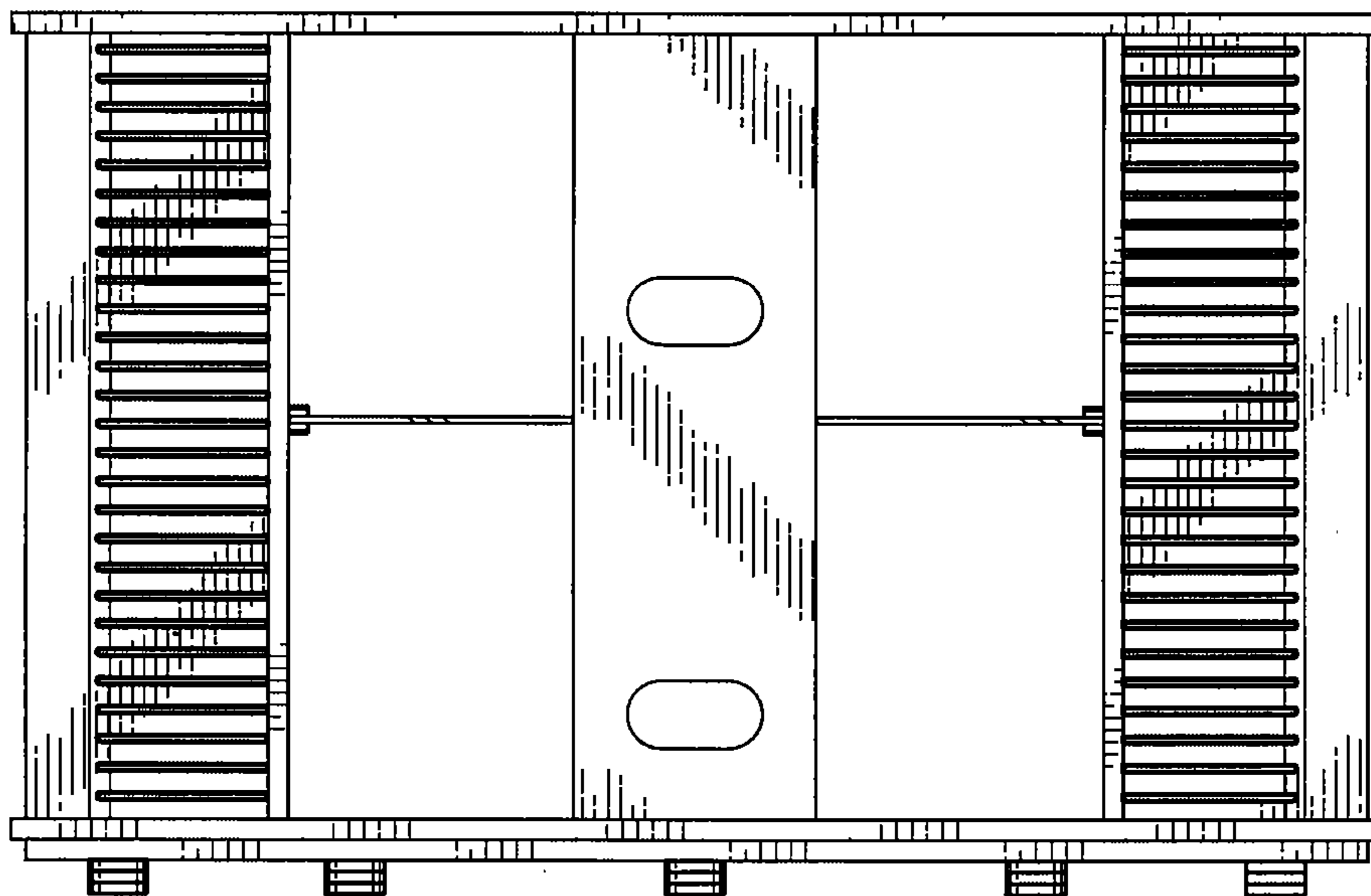


FIG. 3

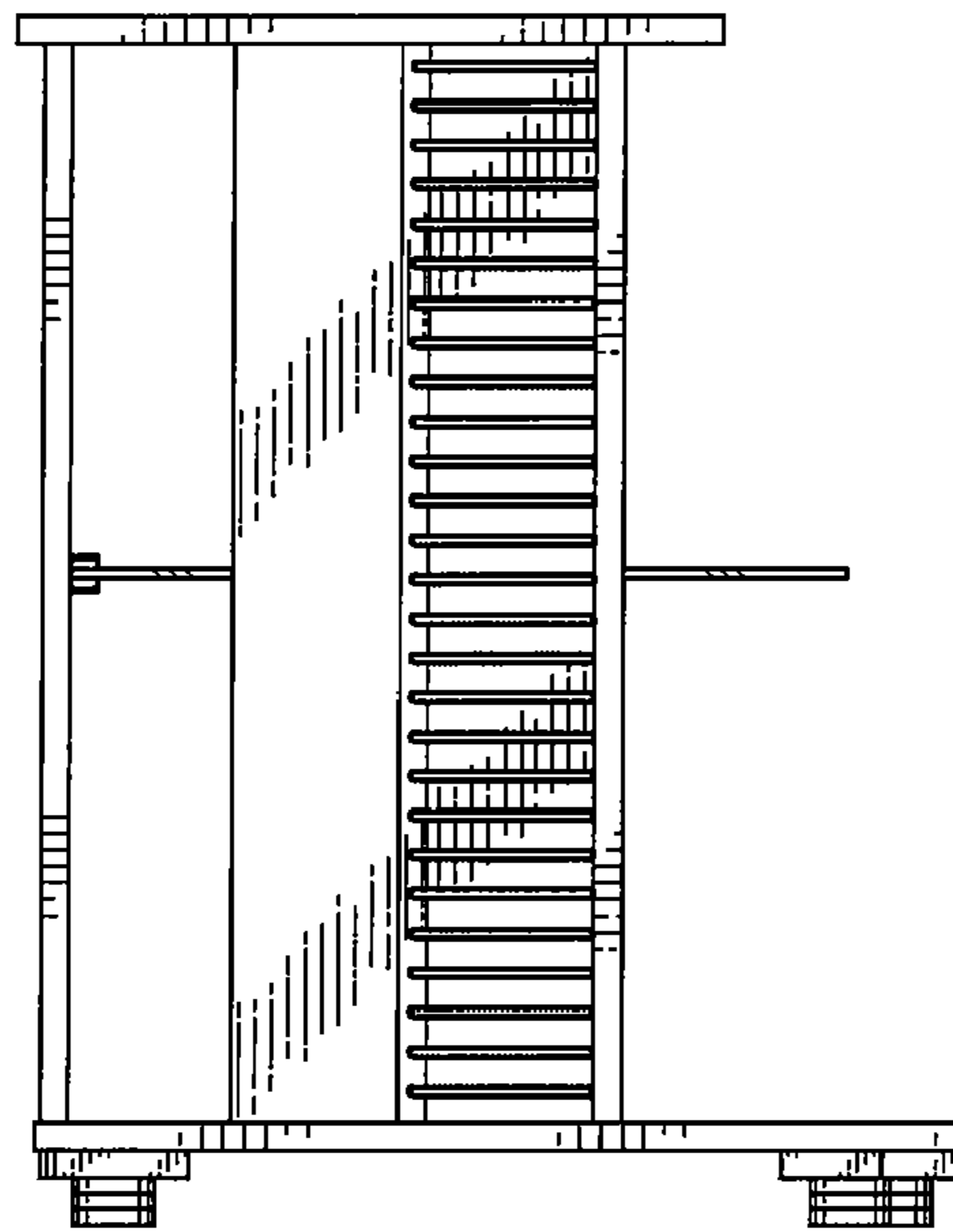


FIG. 4

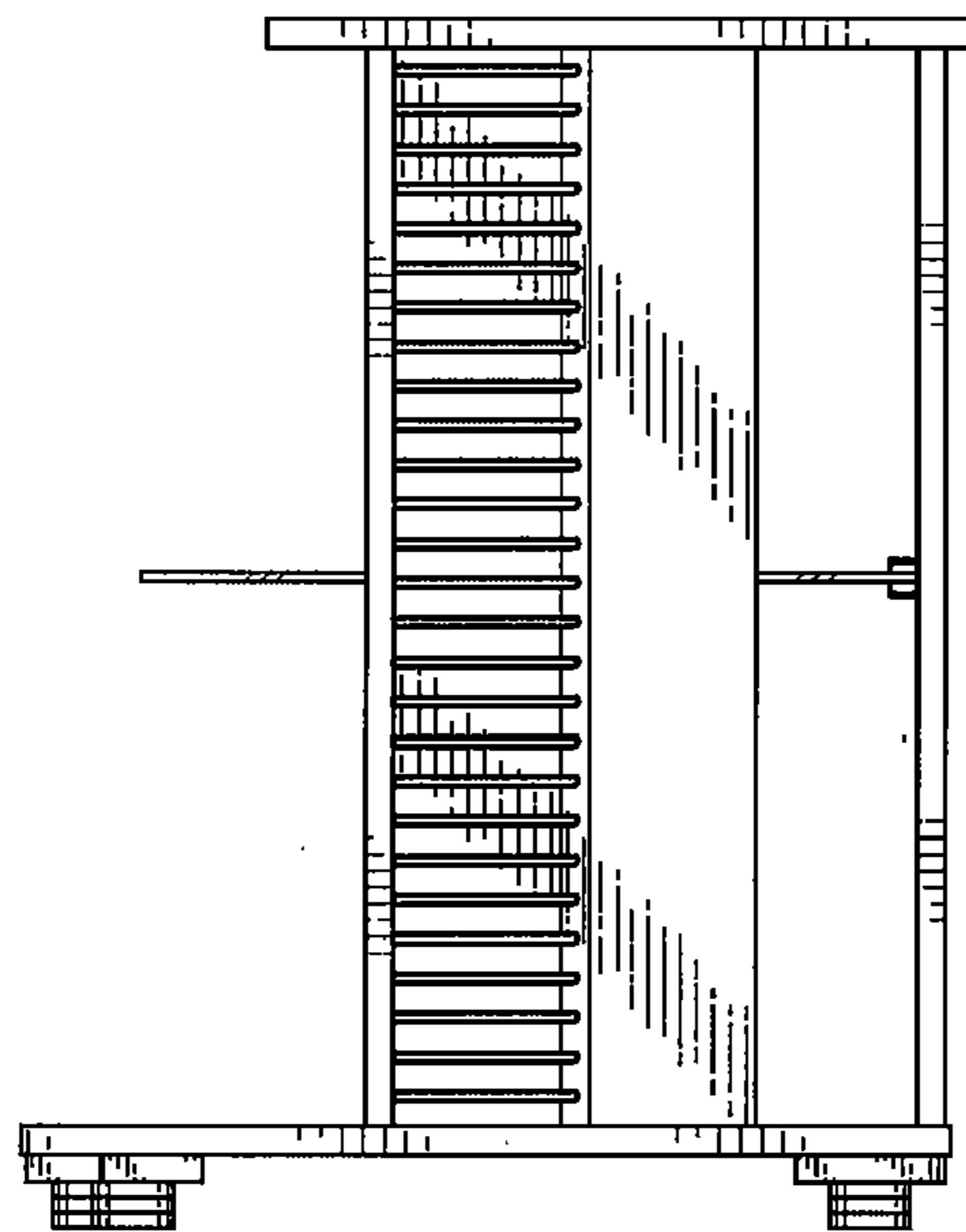


FIG. 5

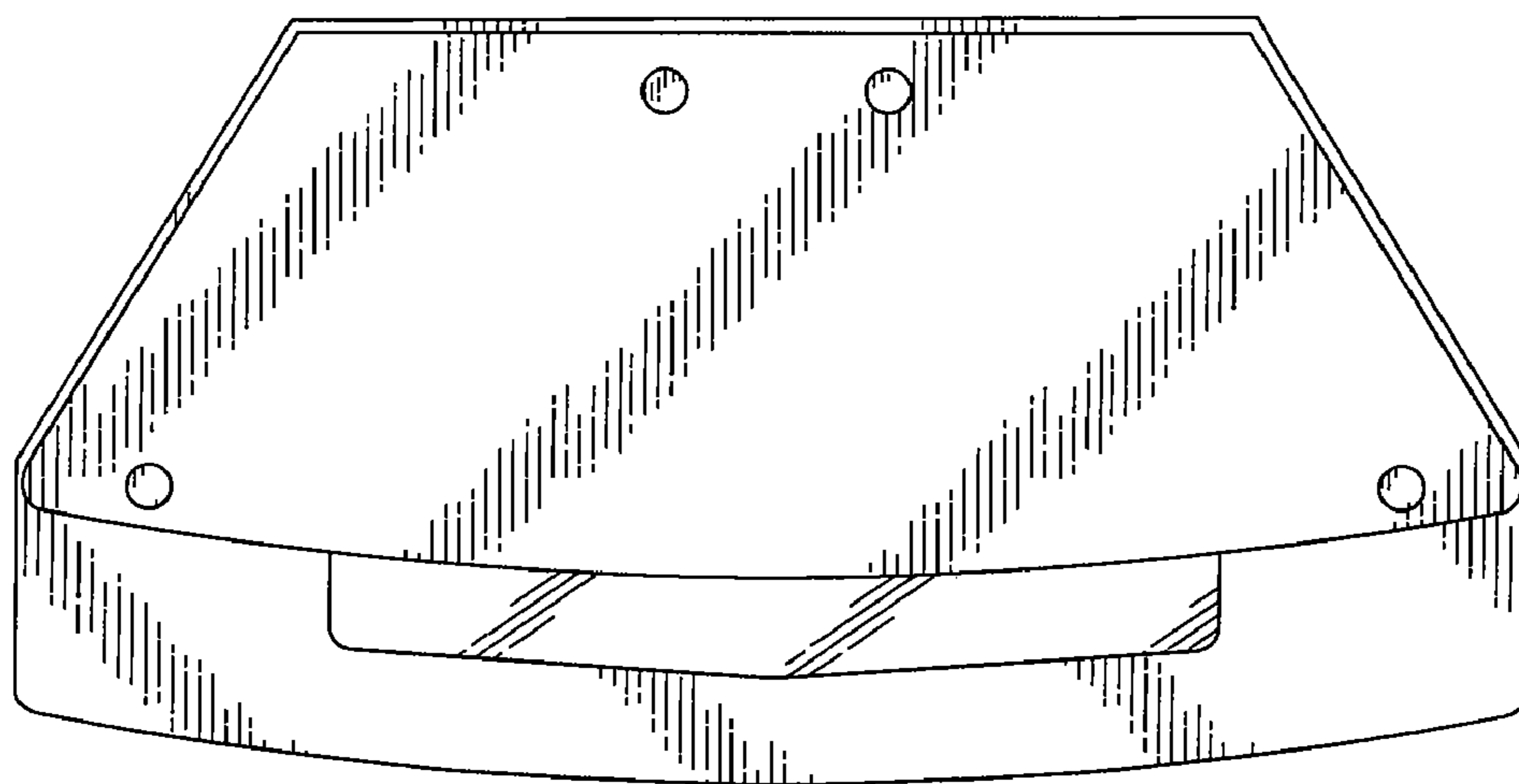


FIG. 6

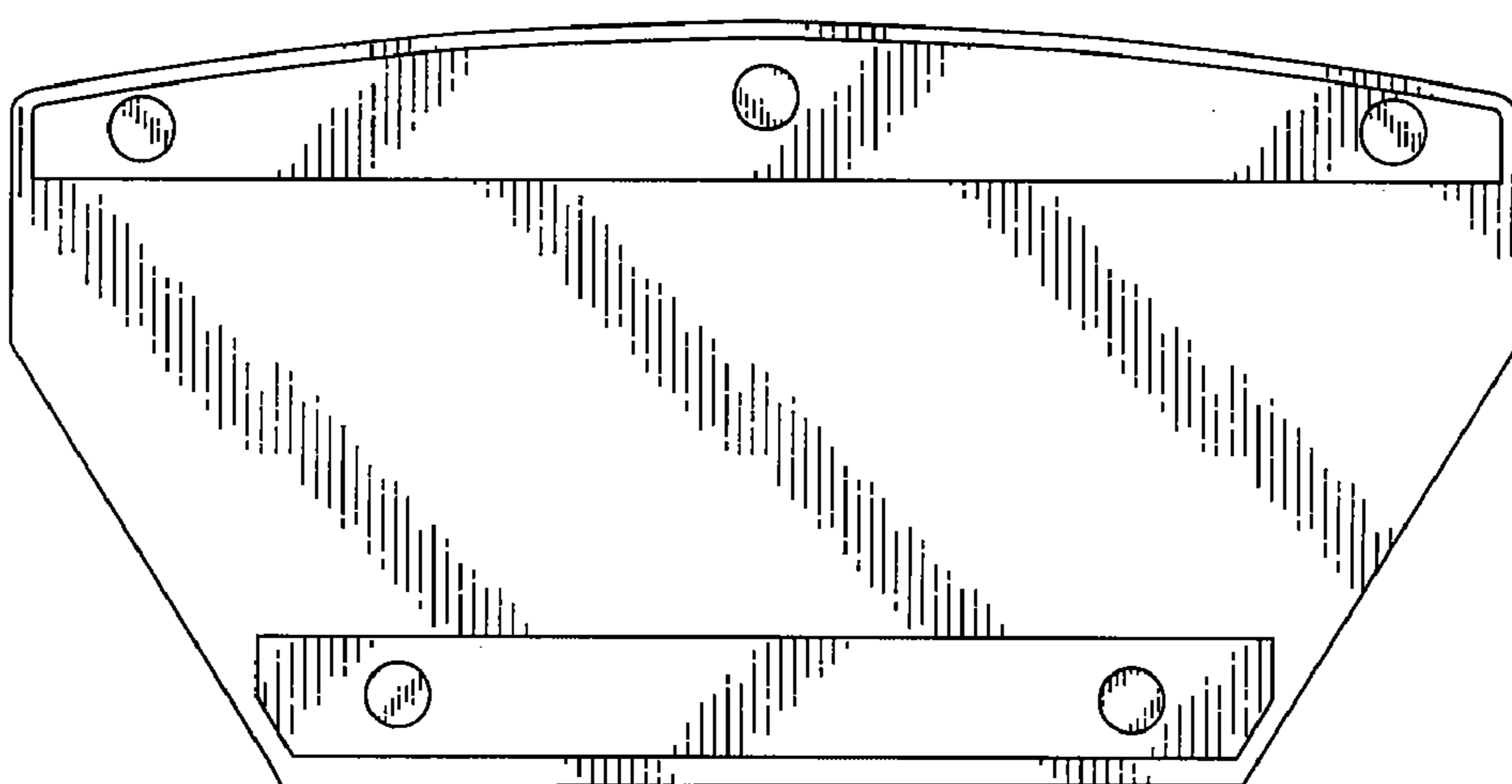


FIG. 7