



US00D575556S

(12) **United States Design Patent**  
**Rohkar, Jr.**

(10) **Patent No.:** **US D575,556 S**

(45) **Date of Patent:** **\*\* Aug. 26, 2008**

(54) **RING HOLDER**

(76) **Inventor:** **Carl Wilson Rohkar, Jr.**, 2511 Western Hills Dr., Nashville, TN (US) 37214

(\*\*) **Term:** **14 Years**

(21) **Appl. No.:** **29/288,524**

(22) **Filed:** **Jun. 14, 2007**

(51) **LOC (8) Cl.** ..... **06-07**

(52) **U.S. Cl.** ..... **D6/466**

(58) **Field of Classification Search** ..... D6/397,  
D6/396, 466, 449, 469, 455.512, 411, 491,  
D6/522, 495, 521; 242/176, 141; 206/343;  
D26/105; D7/553.4; D19/75; 623/2.11;  
D11/144, 152, 146; D3/24, 903; D28/73;  
248/188, 188.8, 188.1; 108/150, 153.1; 211/13.1,  
211/85.2, 85.5

See application file for complete search history.

(56) **References Cited**

**U.S. PATENT DOCUMENTS**

- D41,860 S \* 10/1911 Mowery ..... D3/24
- 2,222,039 A \* 11/1940 Mahoney ..... 242/176
- D151,343 S \* 10/1948 Greger ..... D19/75
- 2,491,585 A \* 12/1949 Sammons ..... 242/141
- D245,368 S \* 8/1977 Mueller ..... D26/105
- 4,043,452 A \* 8/1977 Ross ..... 206/343
- D249,911 S \* 10/1978 Cottrell ..... D6/455
- D261,588 S \* 11/1981 Fichte ..... D7/553.4

- D317,461 S \* 6/1991 Willie ..... D19/75
- 5,041,130 A \* 8/1991 Cosgrove et al. .... 623/2.11
- D346,763 S \* 5/1994 Smith ..... D11/144
- 5,350,420 A \* 9/1994 Cosgrove et al. .... 623/2.11
- D357,886 S \* 5/1995 Fuller ..... D11/152
- D413,546 S \* 9/1999 Gasper ..... D11/146
- D432,828 S \* 10/2000 Snell ..... D6/522
- D451,310 S \* 12/2001 Schwartz et al. .... D6/495
- D457,271 S \* 5/2002 Jackson ..... D28/73
- D499,915 S \* 12/2004 Snell ..... D6/521

\* cited by examiner

*Primary Examiner*—Caron D. Veynar

*Assistant Examiner*—Sydney R Buffalow

(74) *Attorney, Agent, or Firm*—David D. Winters

(57) **CLAIM**

The ornamental design for a ring holder, as shown and described.

**DESCRIPTION**

FIG. 1 is a left side perspective view of a ring holder showing my new design;

FIG. 2 is a right side perspective view thereof;

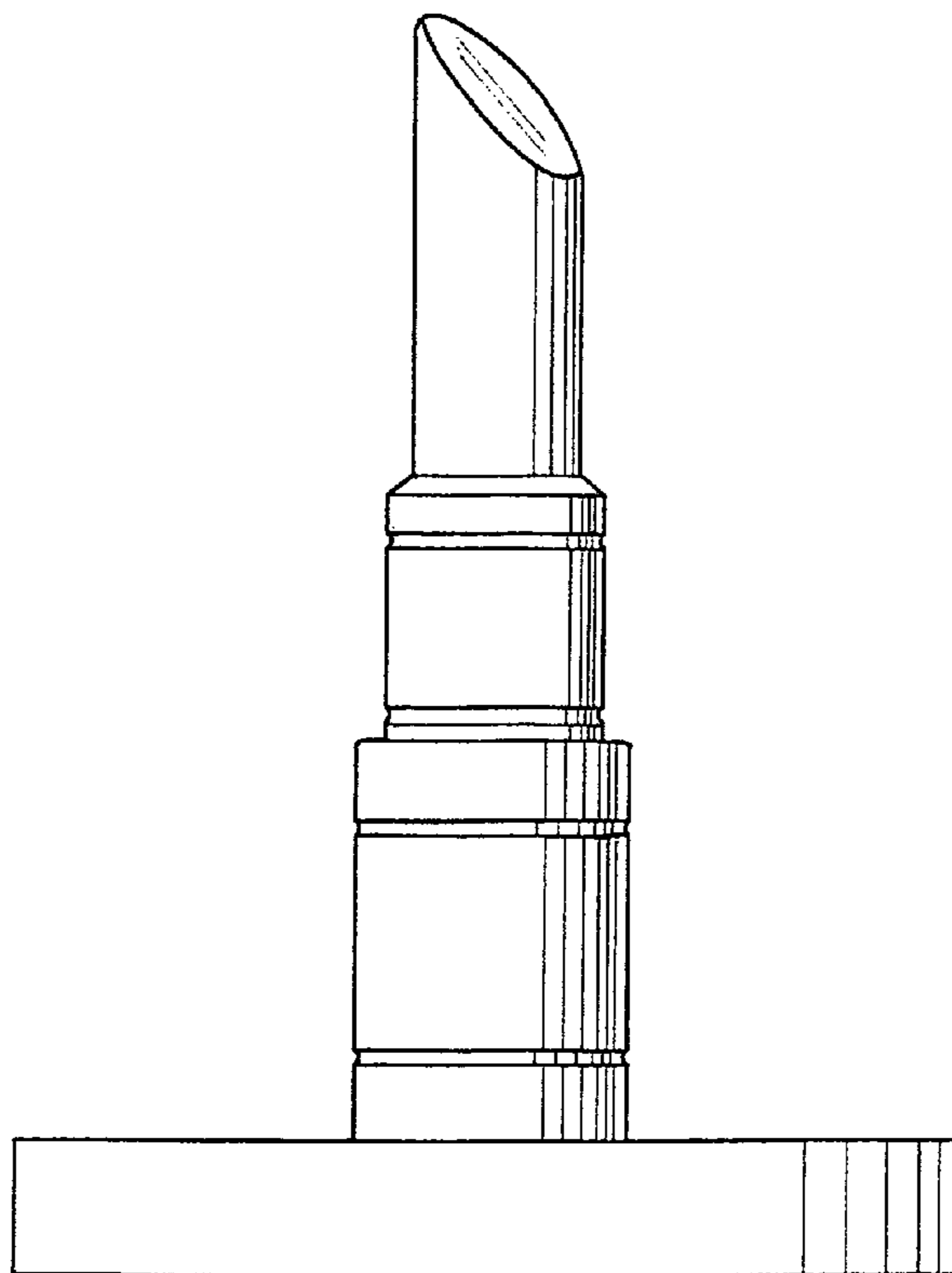
FIG. 3 is a front perspective view thereof;

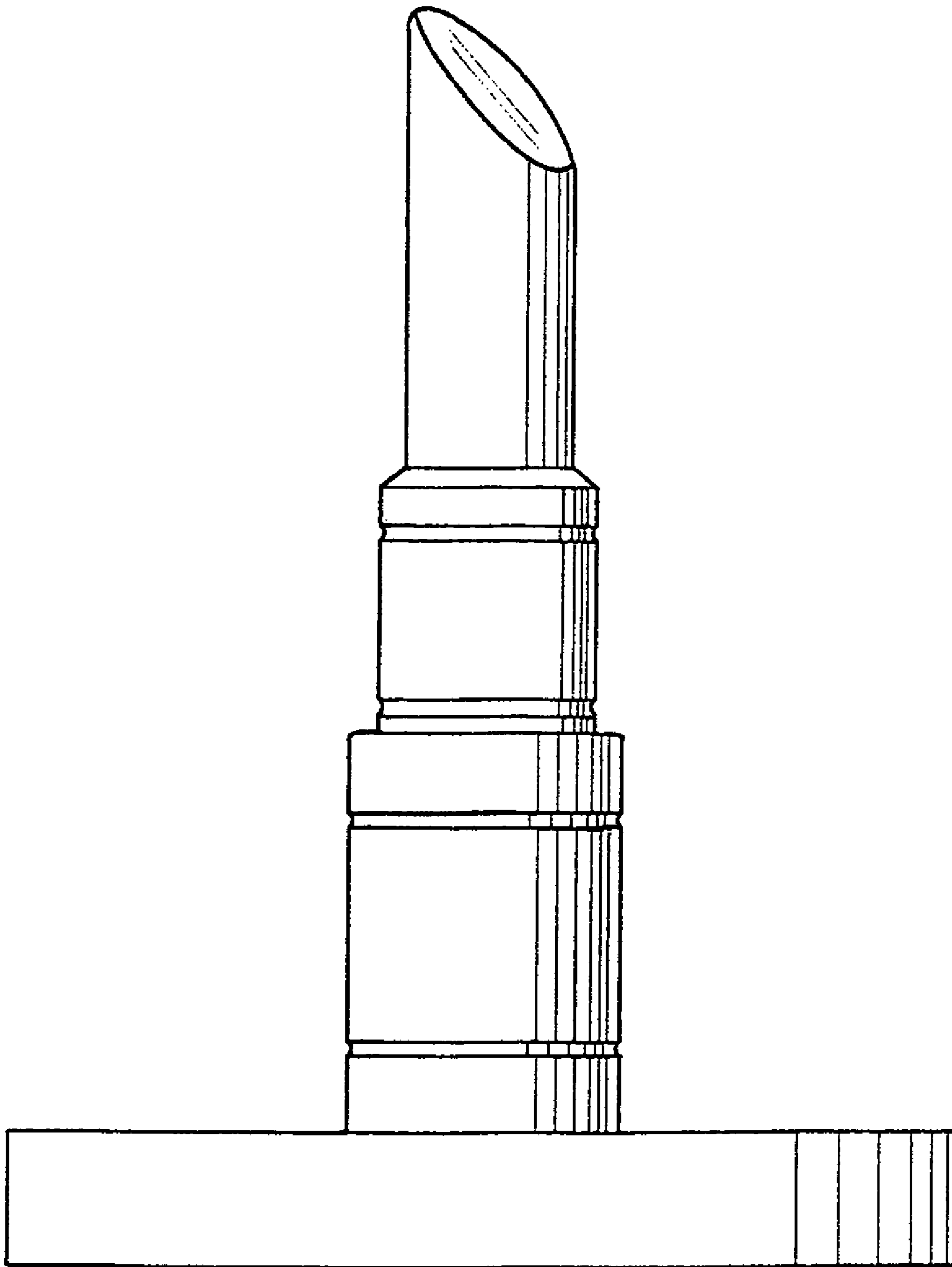
FIG. 4 is a back perspective view thereof; and,

FIG. 5 is a top plan view thereof.

The ring holder has a pedestal, a base, and a holder.

**1 Claim, 5 Drawing Sheets**





*Figure 1*

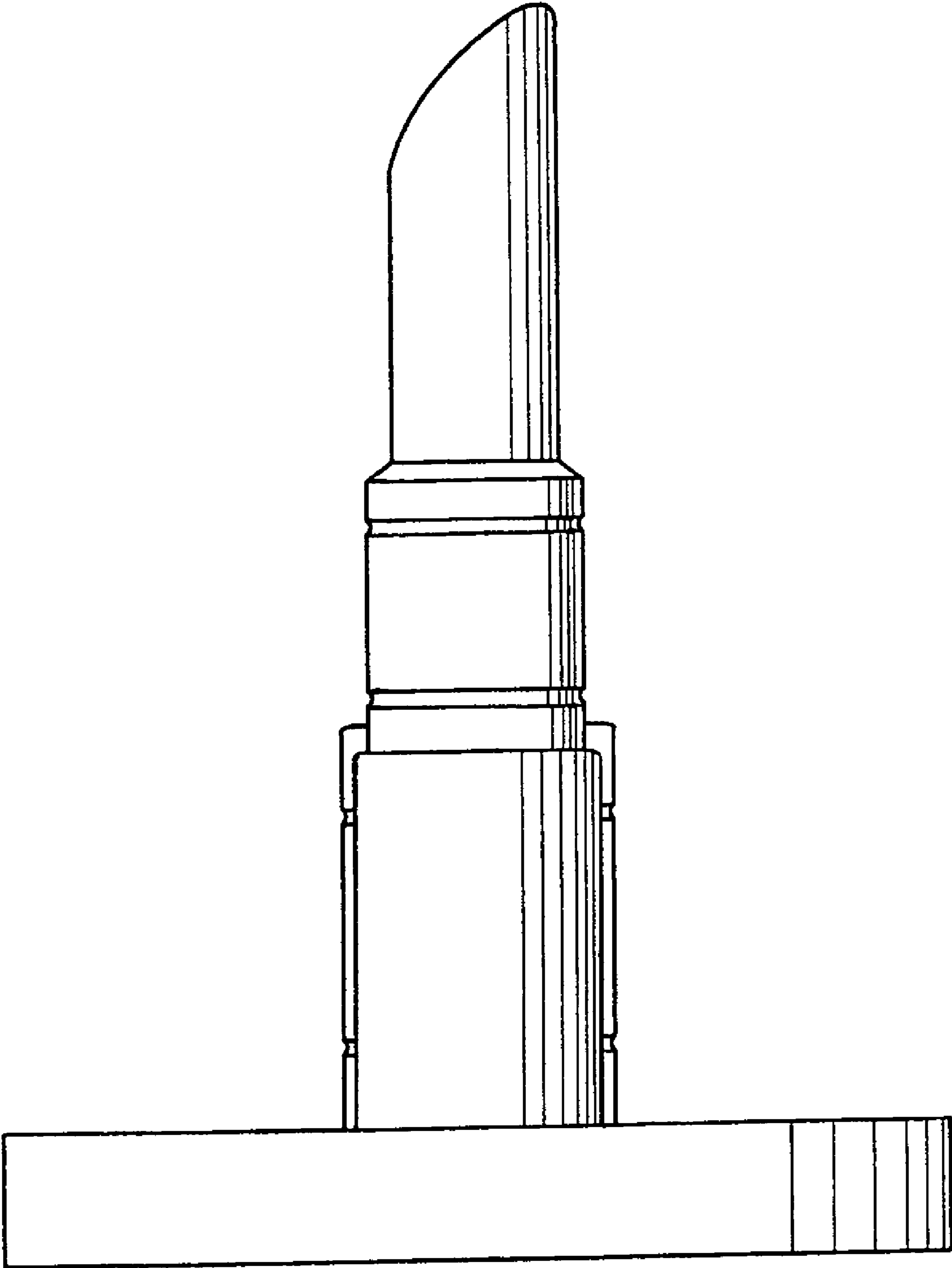
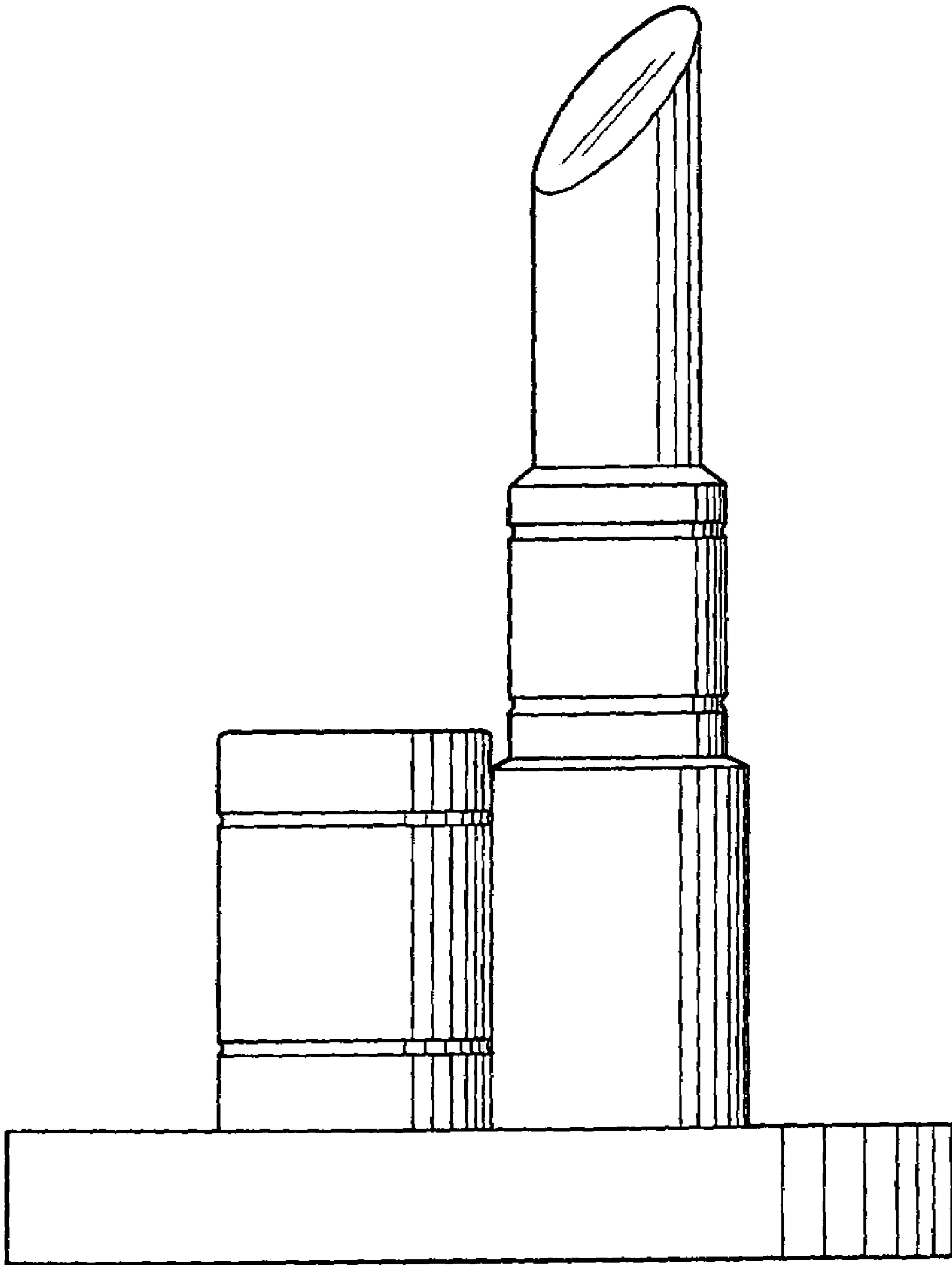


Figure 2



*Figure 3*

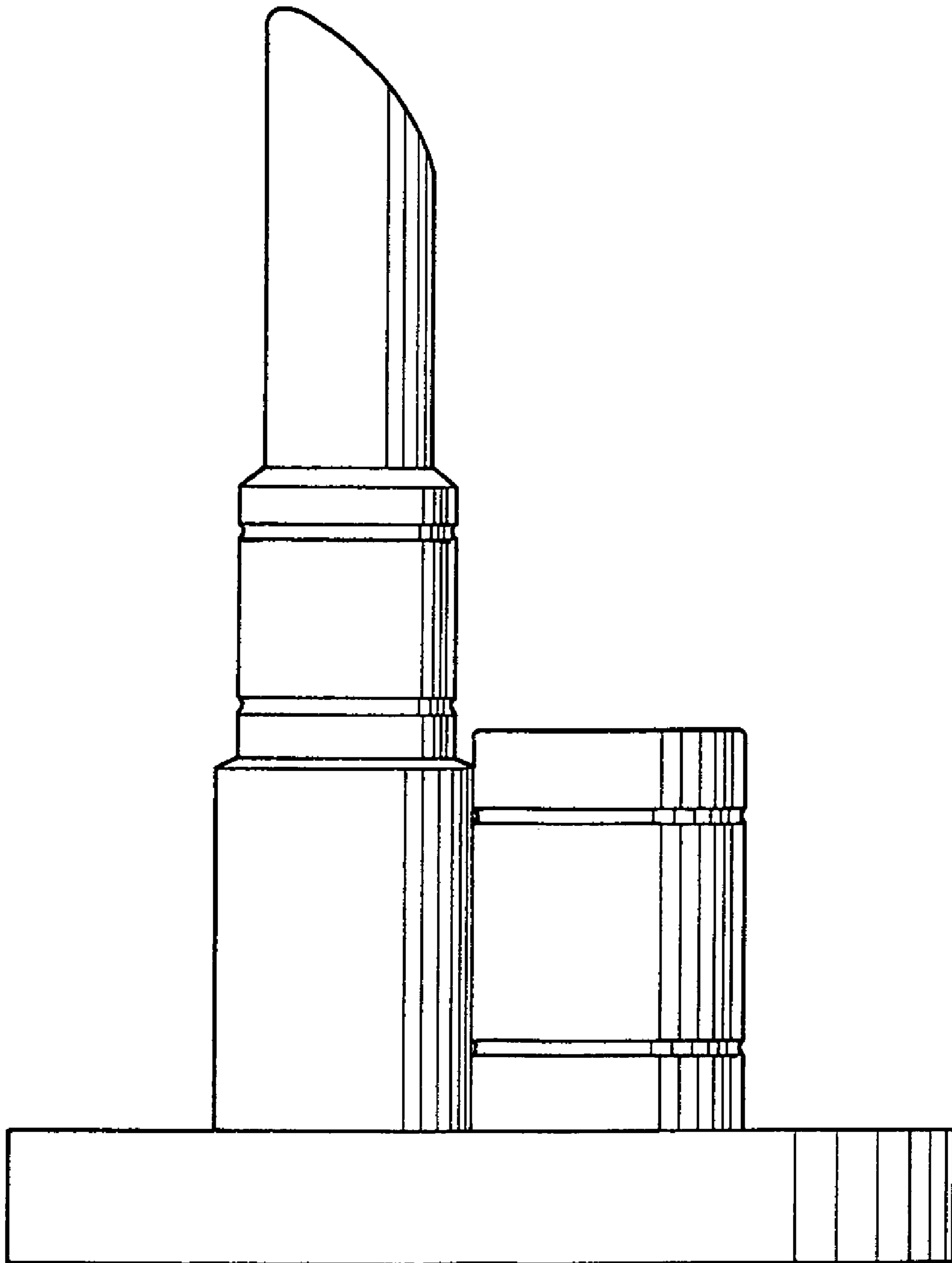
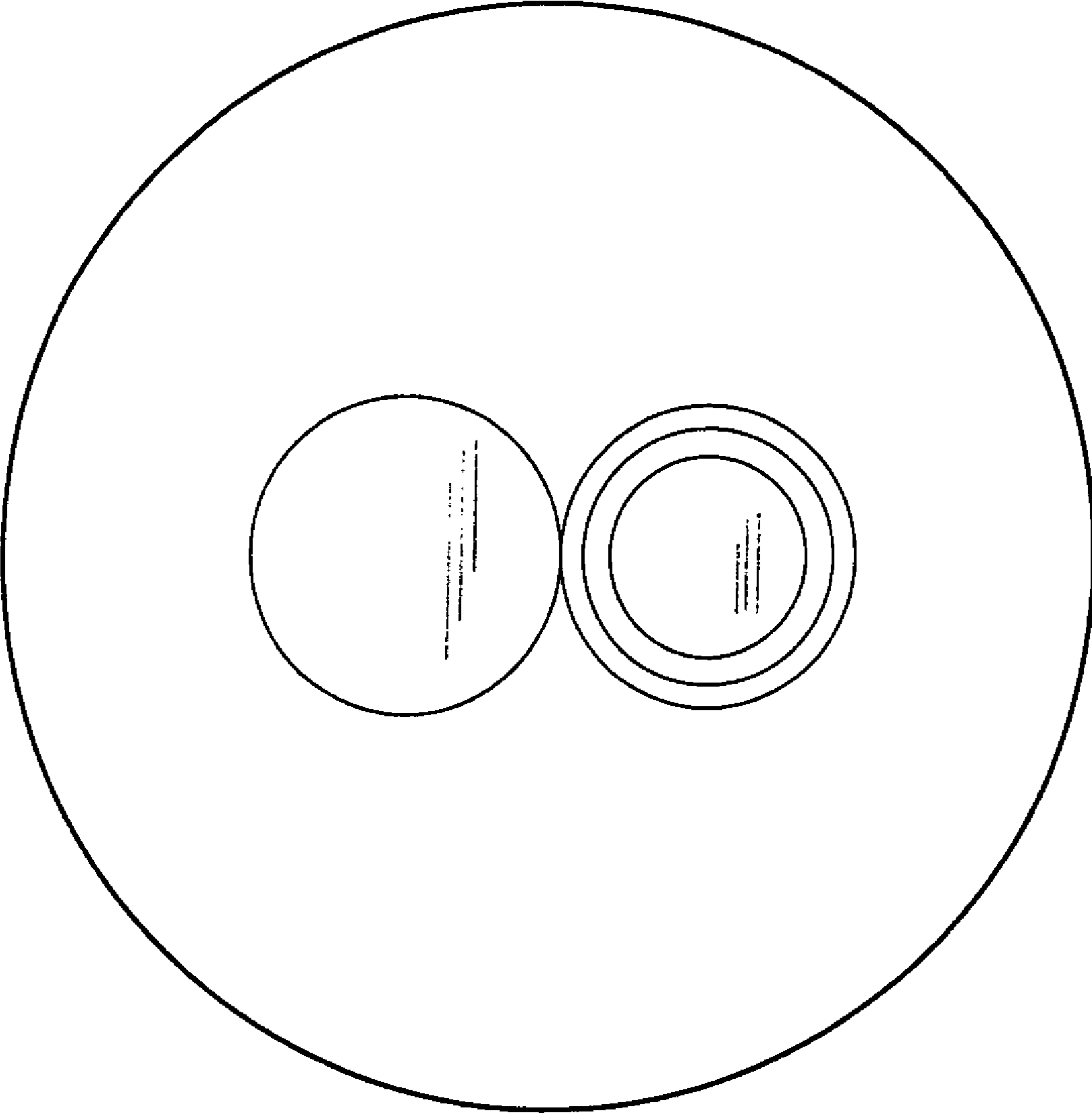


Figure 4



*Figure 5*