



US00D575554S

(12) **United States Design Patent**
Calabria et al.

(10) **Patent No.:** **US D575,554 S**

(45) **Date of Patent:** **** Aug. 26, 2008**

(54) **BIN**

(75) Inventors: **Melanie Calabria**, Columbia, MD (US);
Joseph Edward Jasinski, Raleigh, NC
(US); **Kevin Owen Roughton**, Saco, ME
(US); **Jeannette Anne Gatlin**, Raleigh,
NC (US); **Rebecca Blount Pezdek**,
Cary, NC (US); **Xiao Gang Guo**,
Greensburg, PA (US)

2,822,229 A 2/1958 Carlson
2,919,966 A 1/1960 Preston
3,114,459 A * 12/1963 Kersting 211/40
D243,042 S * 1/1977 Dorn D6/462
4,002,240 A * 1/1977 Dorn 211/42
D264,761 S * 6/1982 Dekarski D3/306
D280,788 S * 10/1985 Levin D6/406.6
4,569,447 A * 2/1986 Cifranic 211/42

(Continued)

(73) Assignee: **Newell Operating Company**, Atlanta,
GA (US)

(**) Term: **14 Years**

(21) Appl. No.: **29/250,356**

(22) Filed: **Nov. 10, 2006**

Related U.S. Application Data

(63) Continuation of application No. 29/229,524, filed on
May 9, 2005, now Pat. No. Des. 532,215.

(51) **LOC (8) Cl.** **06-04**

(52) **U.S. Cl.** **D6/462; D6/491; D6/499**

(58) **Field of Classification Search** D6/462,
D6/499, 491, 458, 449, 455, 461, 523; 211/24,
211/41.1, 41.7, 41.4, 42, 53, 56, 58, 70, 85,
211/95, 85.31, 90.03, 112, 115, 126.8, 129.1,
211/131.1, 134, 133.1, 144, 133.2, 153, 181.1;
248/153, 175

See application file for complete search history.

(56) **References Cited**

U.S. PATENT DOCUMENTS

2,643,167 A 6/1953 Wade

OTHER PUBLICATIONS

Amerock, Organizers, Hide-A-Shelf Hardware Kit catalog sheet, p.
35.

Rev-A-Shelf, Heavy Duty Mixer Lift catalog sheet.

Primary Examiner—Caron D. Veynar

Assistant Examiner—Sydney R Buffalow

(74) *Attorney, Agent, or Firm*—Banner & Witcoff, Ltd.

(57) **CLAIM**

What is claimed is the ornamental design for a “Bin,” as
shown and described.

DESCRIPTION

FIG. 1 is a perspective view showing a new design for a bin;

FIG. 2 is a top plan view of the bin of FIG. 1;

FIG. 3 is a right side view of the bin of FIG. 1, the left side
view being a mirror image thereof;

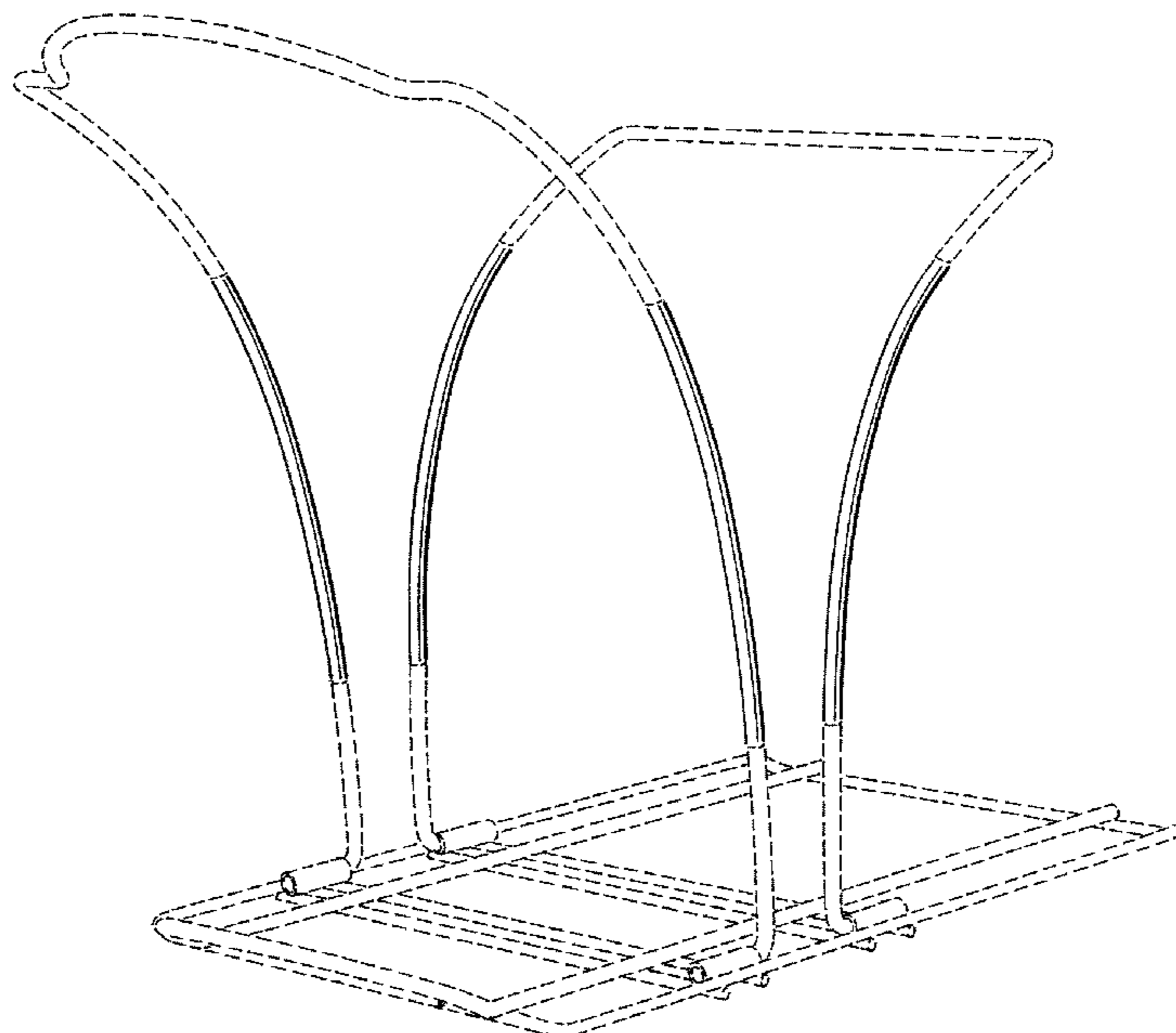
FIG. 4 is a front view of the bin of FIG. 1;

FIG. 5 is a rear view of the bin of FIG. 1; and,

FIG. 6 is a bottom plan view of the bin of FIG. 1.

The broken lines are for illustrative purposes only and form
no part of the claimed design.

1 Claim, 3 Drawing Sheets



US D575,554 S

Page 2

U.S. PATENT DOCUMENTS					
4,893,885	A	1/1990 Borello	D485,706	S *	1/2004 O'Connell
D326,946	S *	6/1992 Szuster D3/306			Cooper et al. D6/462
D360,559	S	7/1995 Grubb et al.	D486,008	S	2/2004 Pospisil et al.
5,437,376	A	8/1995 Larsen	6,702,411	B2	3/2004 Helver
5,586,816	A	12/1996 Geiss, II	6,955,327	B1	10/2005 Skvorecz
D416,169	S *	11/1999 Sarnoff et al. D7/388	D514,354	S *	2/2006 Nix et al. D6/462
6,161,808	A *	12/2000 East et al. 248/175	7,178,887	B2	2/2007 Steadman
6,520,354	B1	2/2003 Skvorecz	2005/0006994	A1	1/2005 Rapier, III
6,595,475	B2 *	7/2003 Svabek et al. 248/150	2005/0023230	A1	2/2005 Lin
			2005/0218274	A1 *	10/2005 Skvorecz 248/153
					* cited by examiner

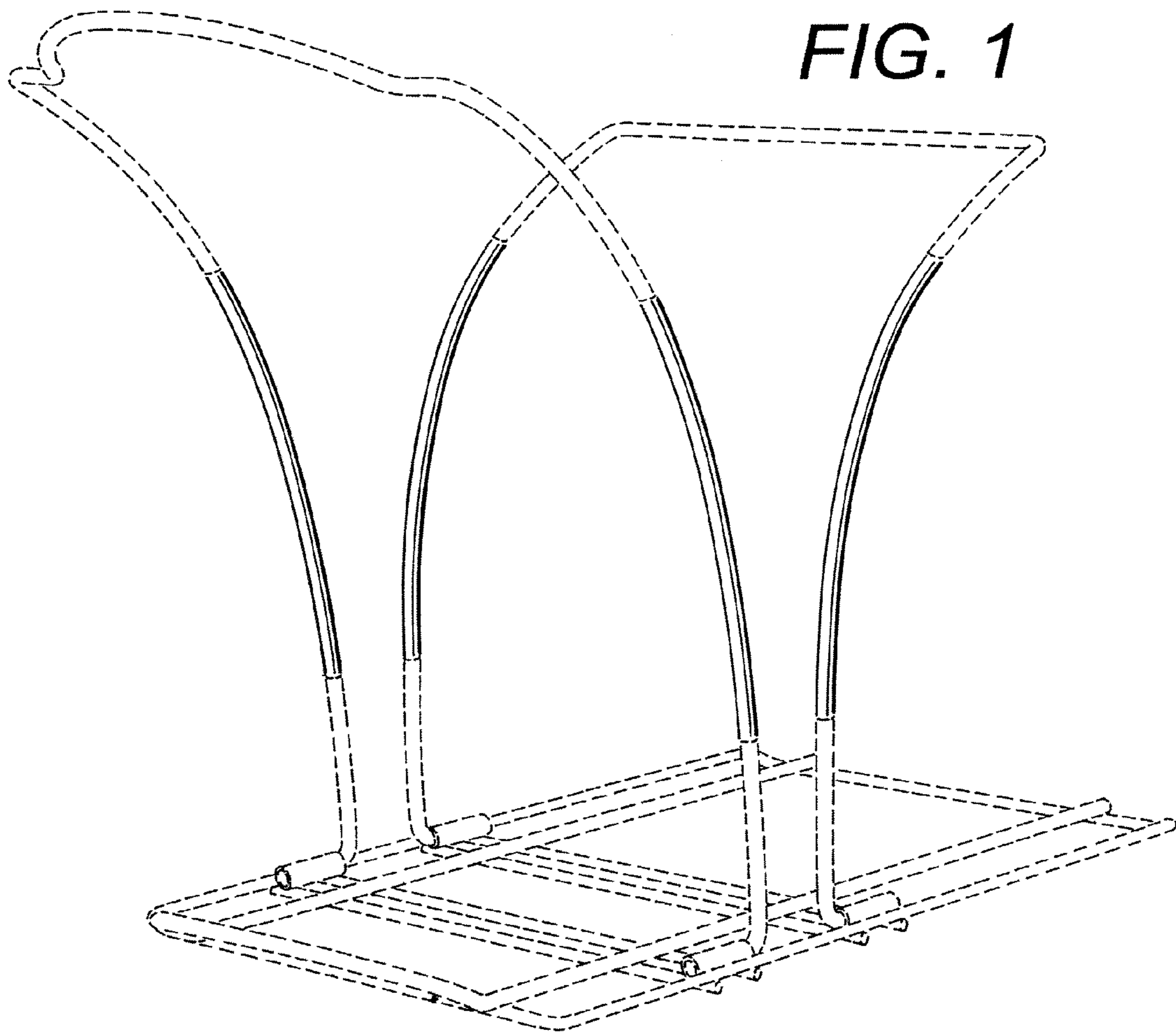


FIG. 2

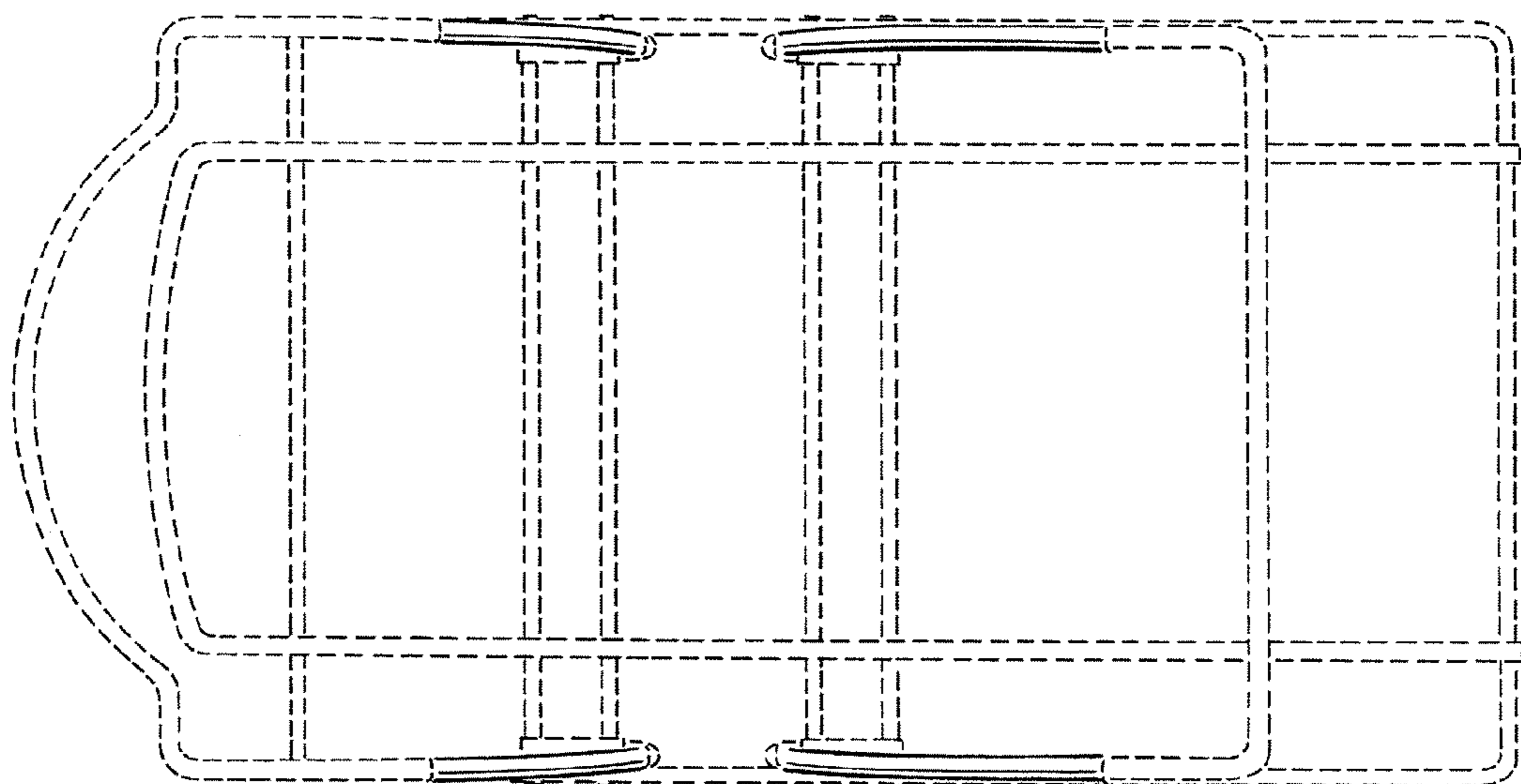


FIG. 4

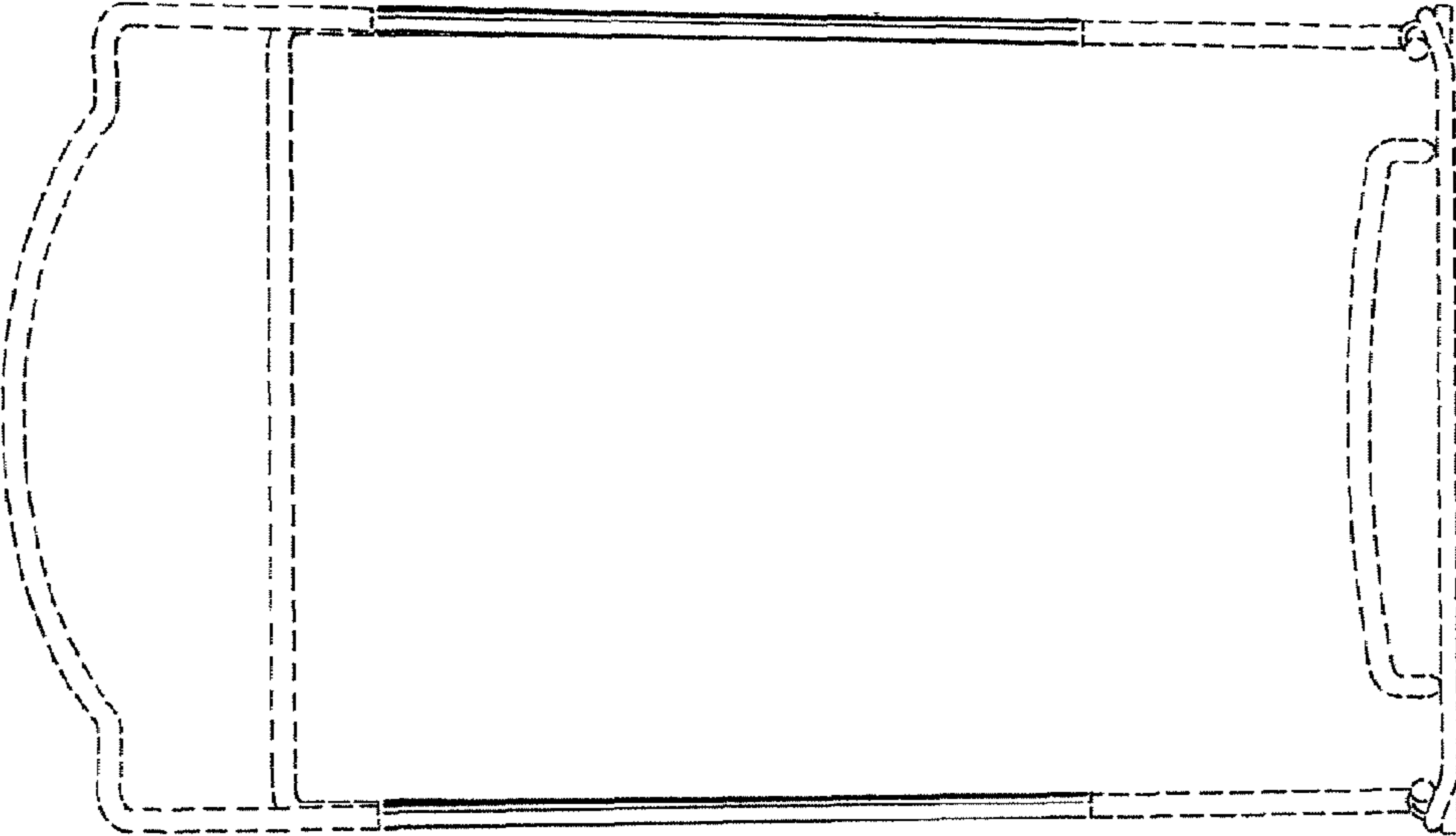


FIG. 3

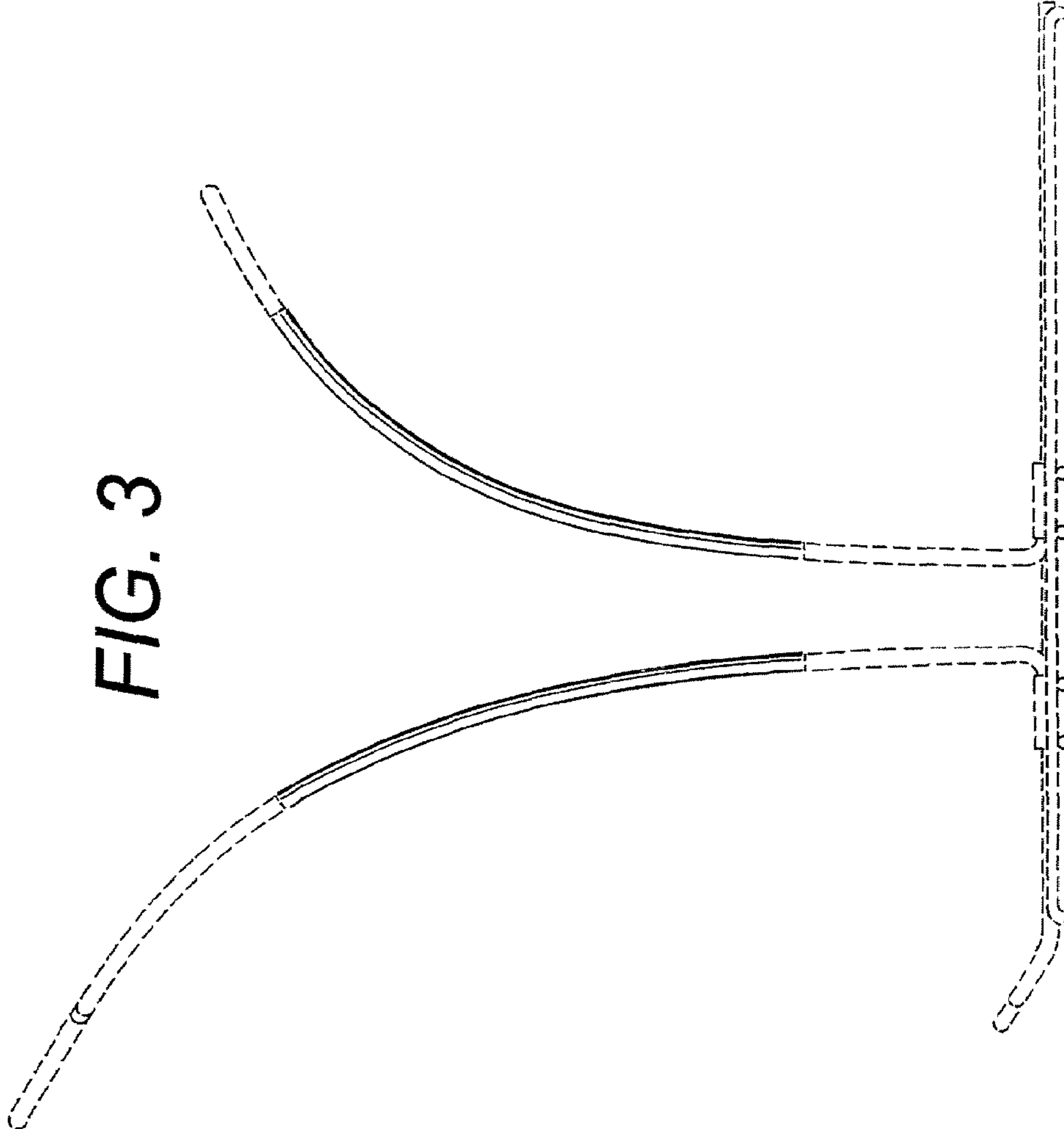


FIG. 5

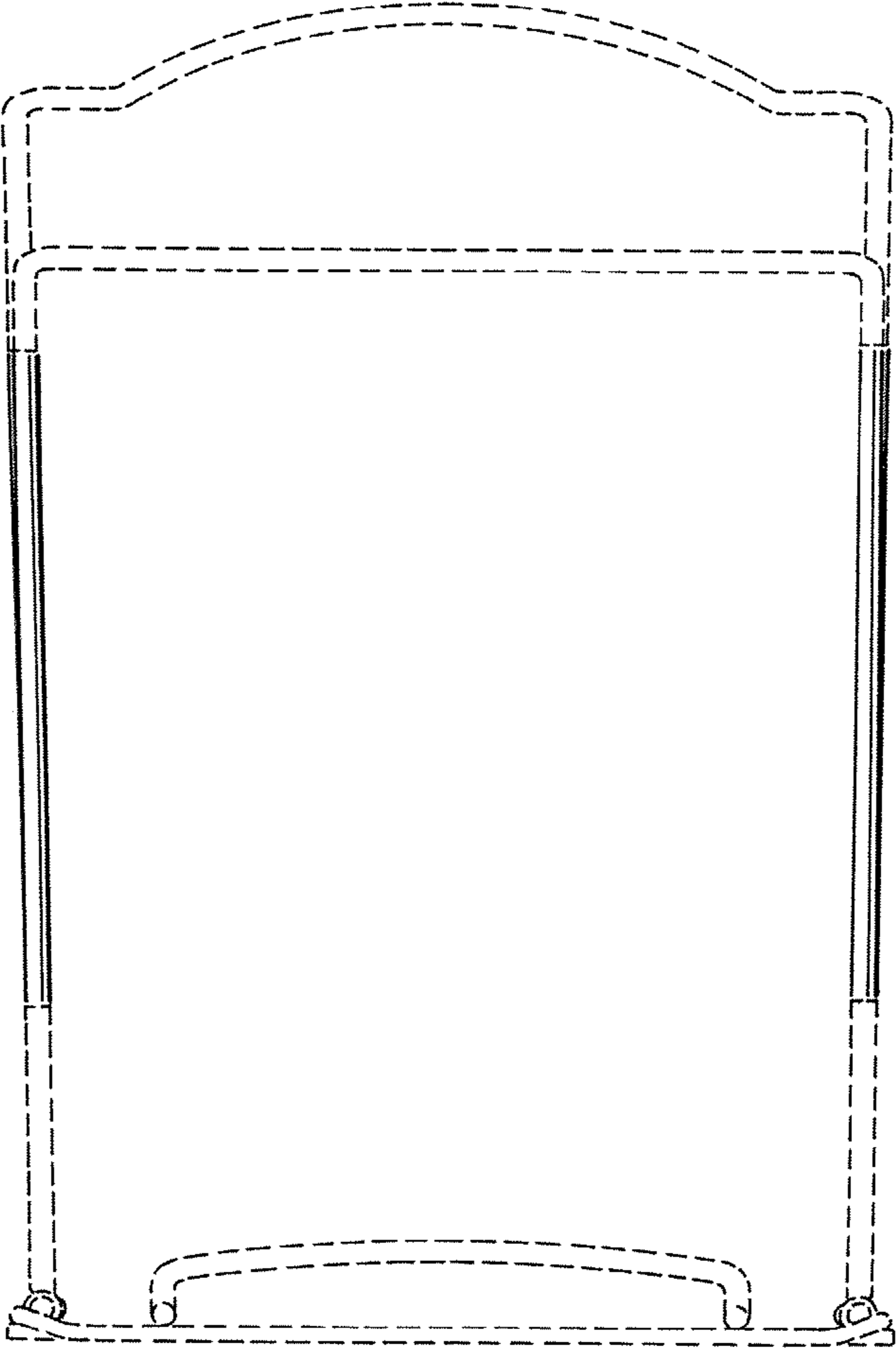


FIG. 6

