

US00D575553S

(12) **United States Design Patent**
Jing

(10) **Patent No.:** **US D575,553 S**

(45) **Date of Patent:** **** Aug. 26, 2008**

(54) **DISPLAY**

(75) Inventor: **Jenny Jing**, Shanghai (CN)

(73) Assignee: **Shanghai Creamode Distribution Co., Ltd**, Shanghai (CN)

(**) Term: **14 Years**

(21) Appl. No.: **29/298,707**

(22) Filed: **Dec. 12, 2007**

(51) **LOC (8) Cl.** **06-04**

(52) **U.S. Cl.** **D6/455**

(58) **Field of Classification Search** D6/458,
D6/514, 472, 463, 460, 465, 464, 566, 327,
D6/397, 449, 467, 455; 211/85.3, 78, 70,
211/58, 56, 53, 463, 128.1, 77; D11/118;
D7/707, 704

See application file for complete search history.

(56) **References Cited**

U.S. PATENT DOCUMENTS

- 1,751,505 A * 3/1930 Borland, Jr. 211/163
- D166,528 S * 4/1952 Cole D6/458
- D182,356 S * 3/1958 Cohen D6/458
- D191,812 S * 11/1961 Tirlet D6/458
- D221,704 S * 8/1971 Pappas, Jr. D6/458

- D229,648 S * 12/1973 Howard D6/458
- D239,579 S * 4/1976 Taub D6/458
- D240,101 S * 6/1976 Redler D6/458
- D325,358 S * 4/1992 Johnson D11/118
- D463,182 S * 9/2002 Klein et al. D6/514
- D512,282 S * 12/2005 Martin D7/707
- D550,480 S * 9/2007 Shoui et al. D6/472

* cited by examiner

Primary Examiner—Caron D. Veynar
Assistant Examiner—Sydney R Buffalow

(57) **CLAIM**

The ornamental design for a display, as shown.

DESCRIPTION

FIG. 1 is a front elevational view of a display showing my new design;

FIG. 2 is a rear elevational view thereof;

FIG. 3 is a left side view thereof;

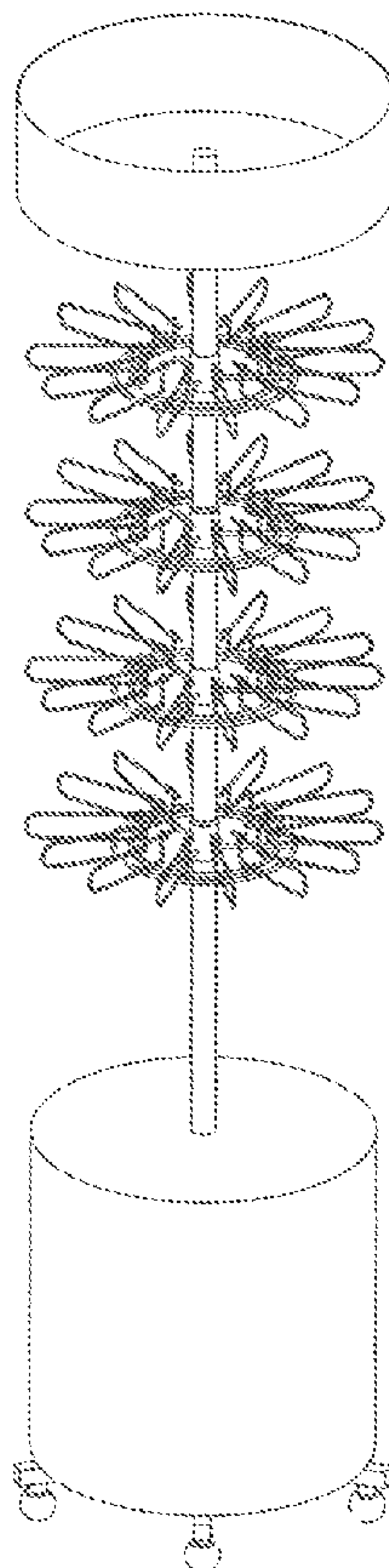
FIG. 4 is a right side view thereof;

FIG. 5 is a top plan view thereof;

FIG. 6 is a bottom plan view thereof; and,

FIG. 7 is a perspective view thereof.

1 Claim, 3 Drawing Sheets



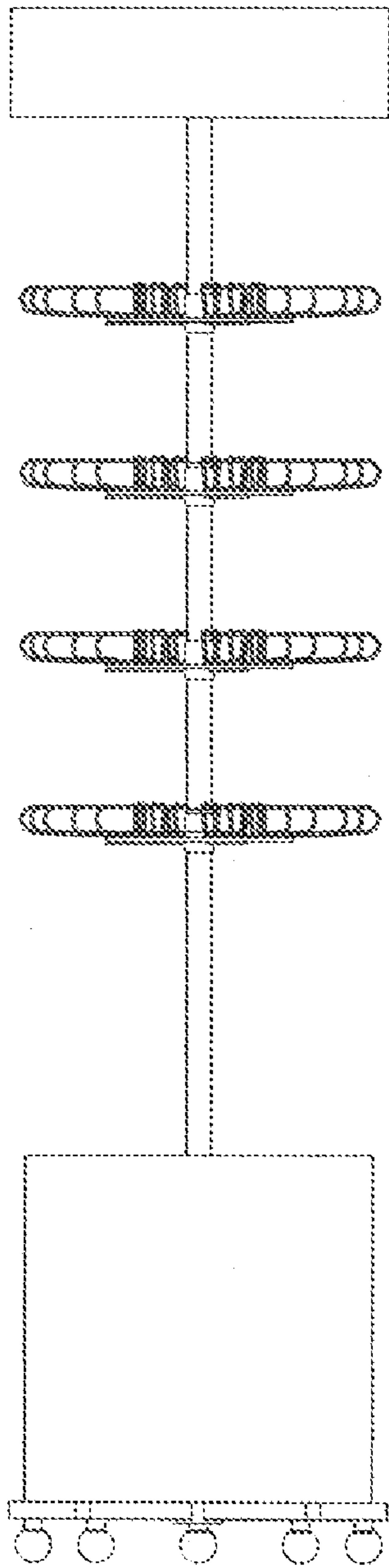


FIG. 1

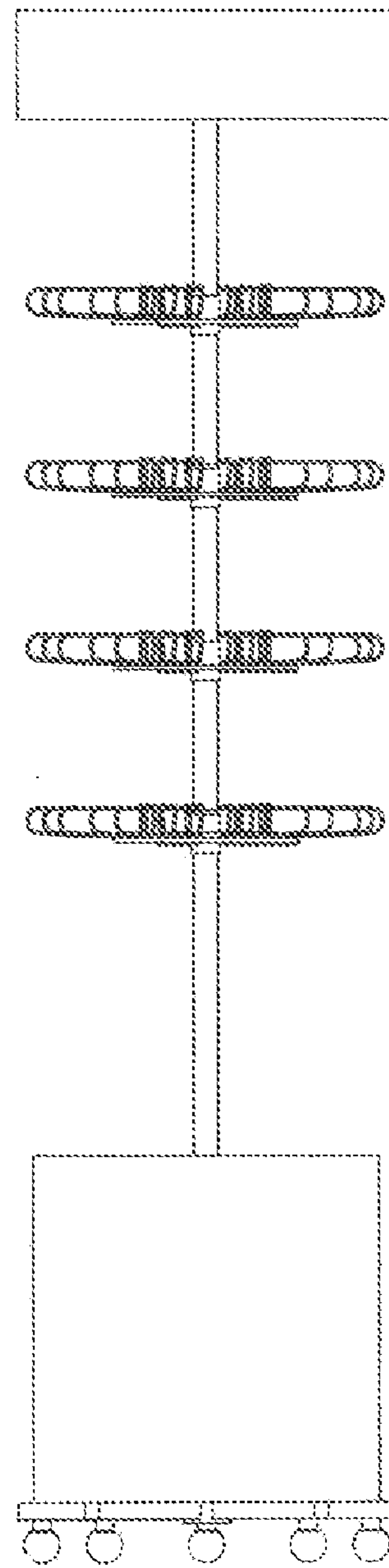


FIG. 2

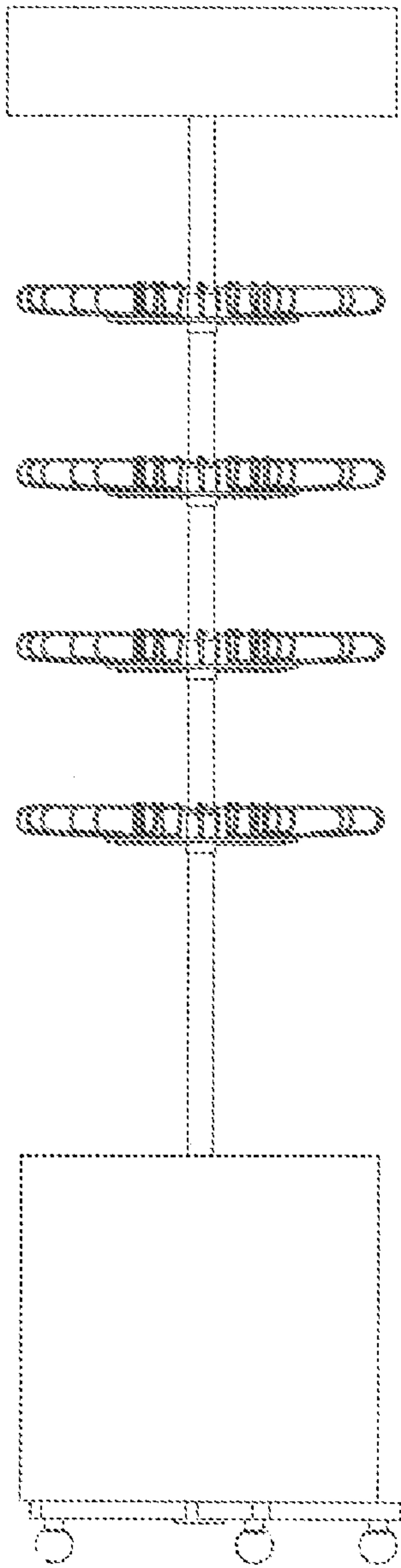


FIG. 3

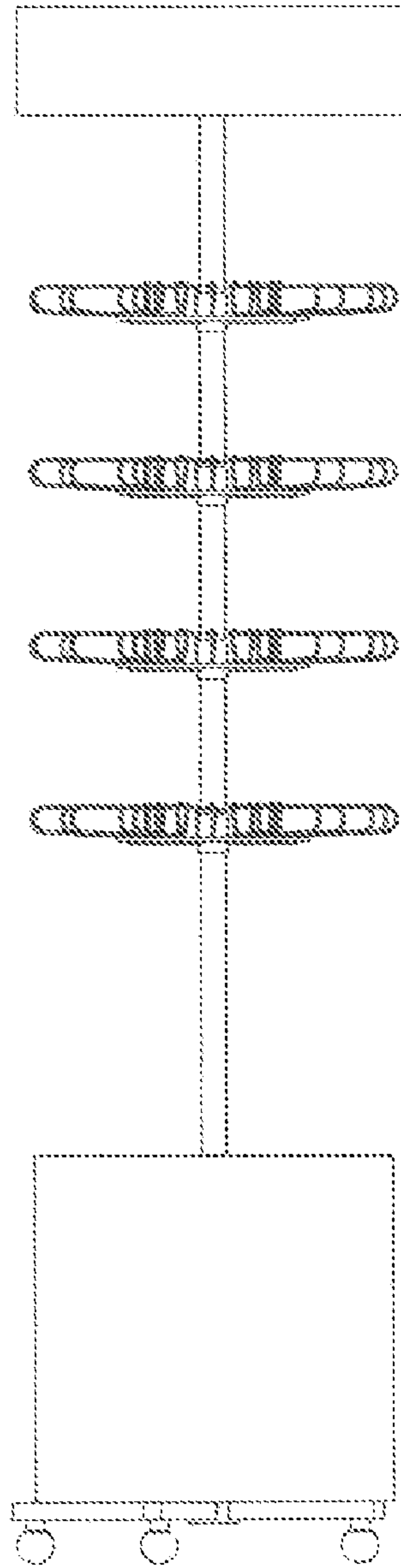


FIG. 4

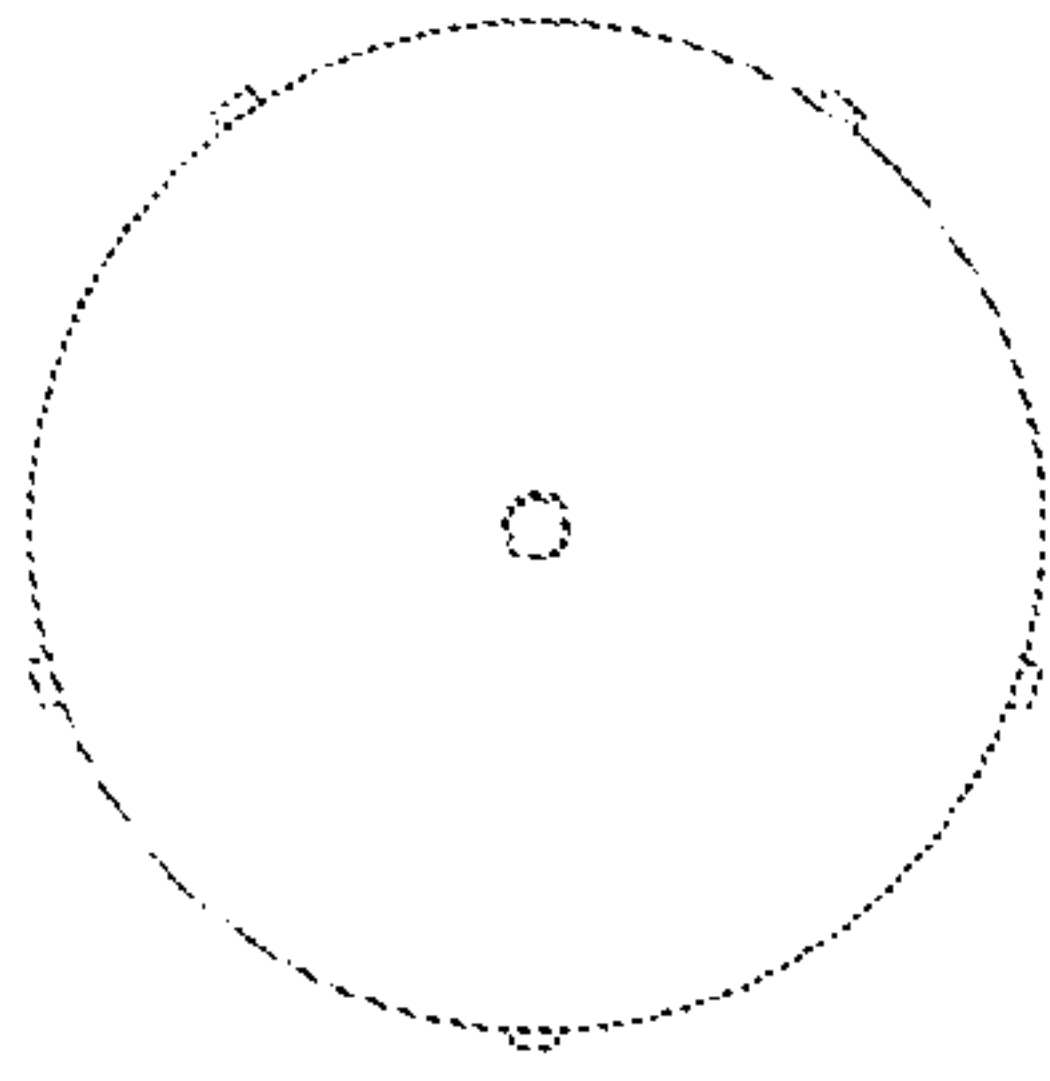


FIG. 5

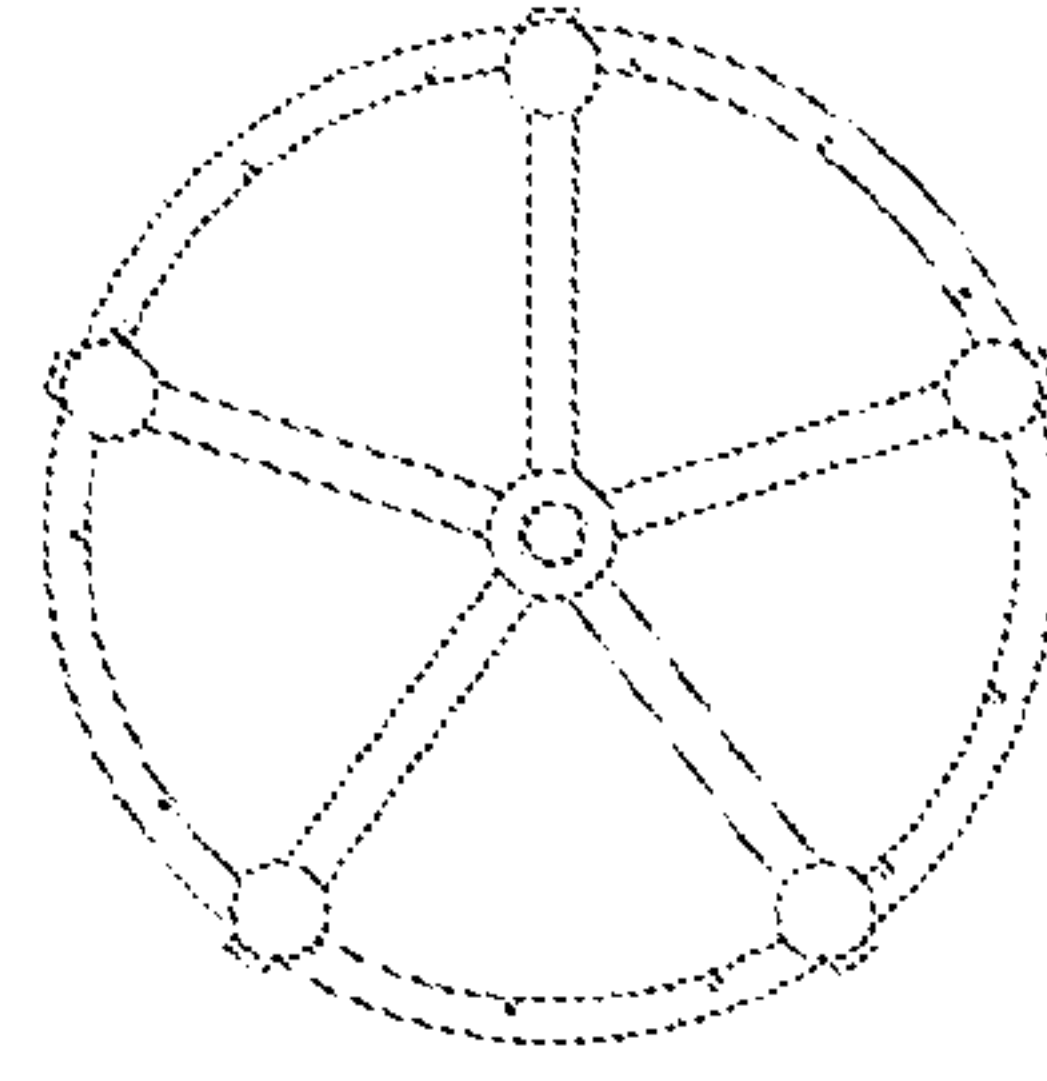


FIG. 6

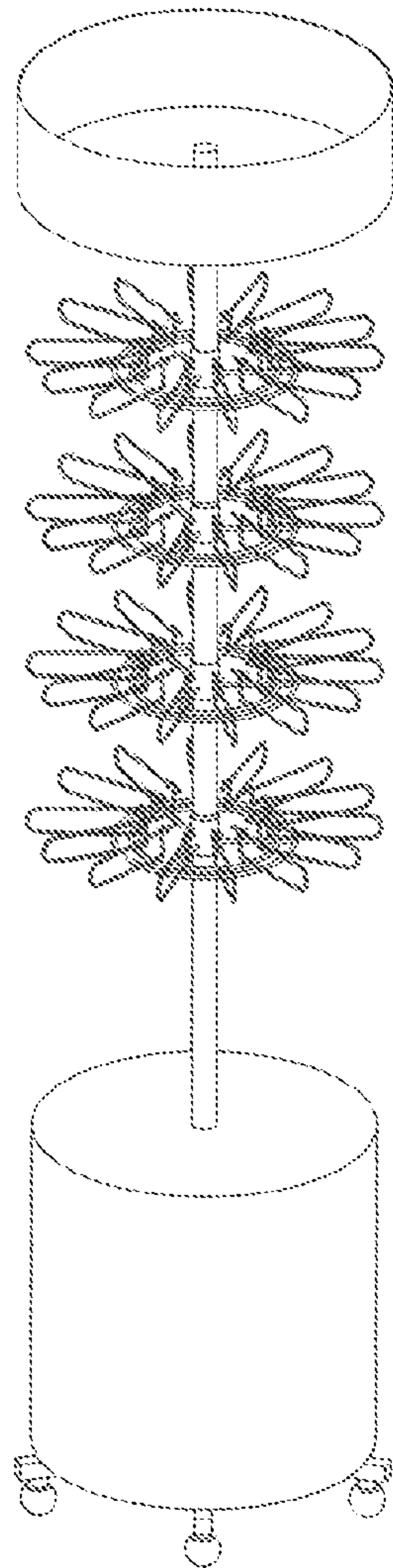


FIG. 7