



US00D575550S

(12) **United States Design Patent**
Chang

(10) **Patent No.:** **US D575,550 S**

(45) **Date of Patent:** **** Aug. 26, 2008**

(54) **COMPUTER TABLE**

D524,580 S * 7/2006 Chang D6/480
D538,062 S * 3/2007 Chang D6/422

(76) Inventor: **Chien-Kuo Chang**, 10-2 No. 447, 3 Sec.
Wen-Hsin Rd., Taichung City (TW) 408

* cited by examiner

(**) Term: **14 Years**

Primary Examiner—Janice E Seeger

(21) Appl. No.: **29/284,198**

(57) **CLAIM**

(22) Filed: **Sep. 3, 2007**

The ornamental design for a computer table, as shown.

(51) **LOC (8) Cl.** **06-03**

DESCRIPTION

(52) **U.S. Cl.** **D6/425; D6/484**

FIG. 1 is a perspective view of a computer table showing my new design thereof;

(58) **Field of Classification Search** D6/480-489,

FIG. 2 is a front elevational view thereof;

D6/495, 422-428; 108/50.01, 50.02; 312/194-196,

FIG. 3 is a rear elevational view thereof;

312/239; 248/188, 188.1, 188.8

FIG. 4 is a left side elevational view thereof;

See application file for complete search history.

FIG. 5 is a right side elevational view thereof;

(56) **References Cited**

U.S. PATENT DOCUMENTS

FIG. 6 is a top plan view thereof; and,

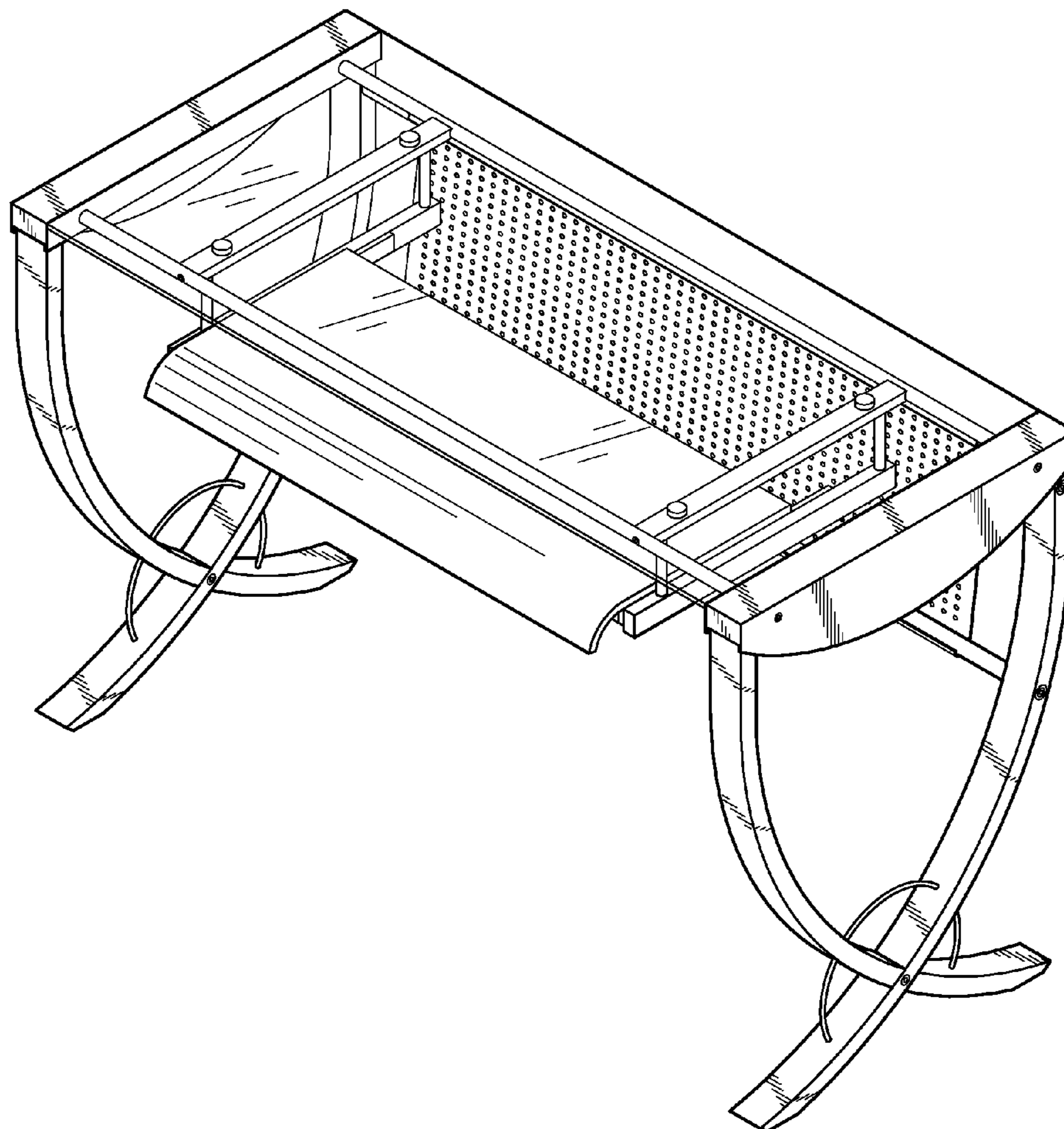
FIG. 7 is a bottom plan view thereof.

D233,382 S * 10/1974 Mondragon D6/480

D477,931 S * 8/2003 Chang D6/422

D505,567 S * 5/2005 Chang D6/425

1 Claim, 4 Drawing Sheets



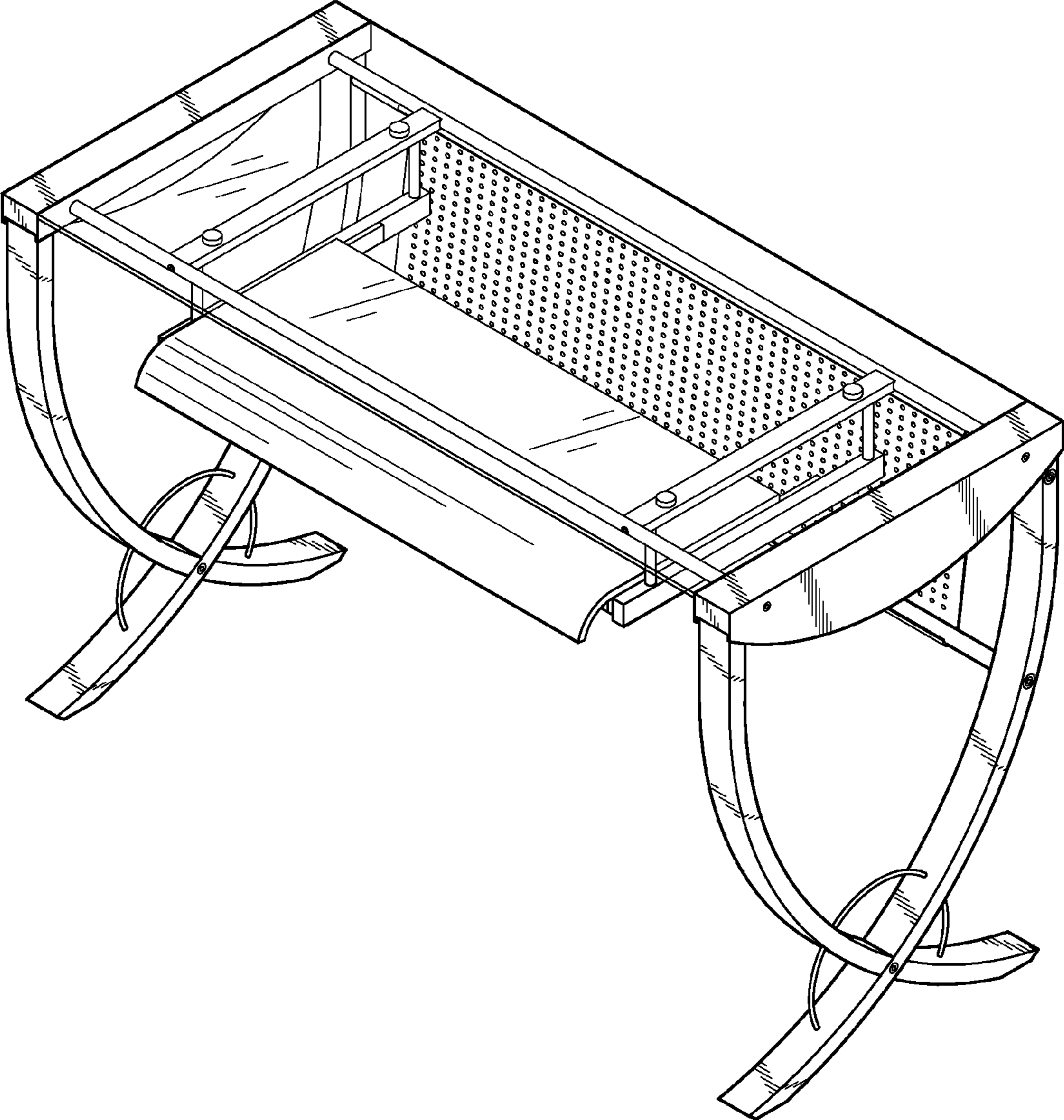


FIG. 1

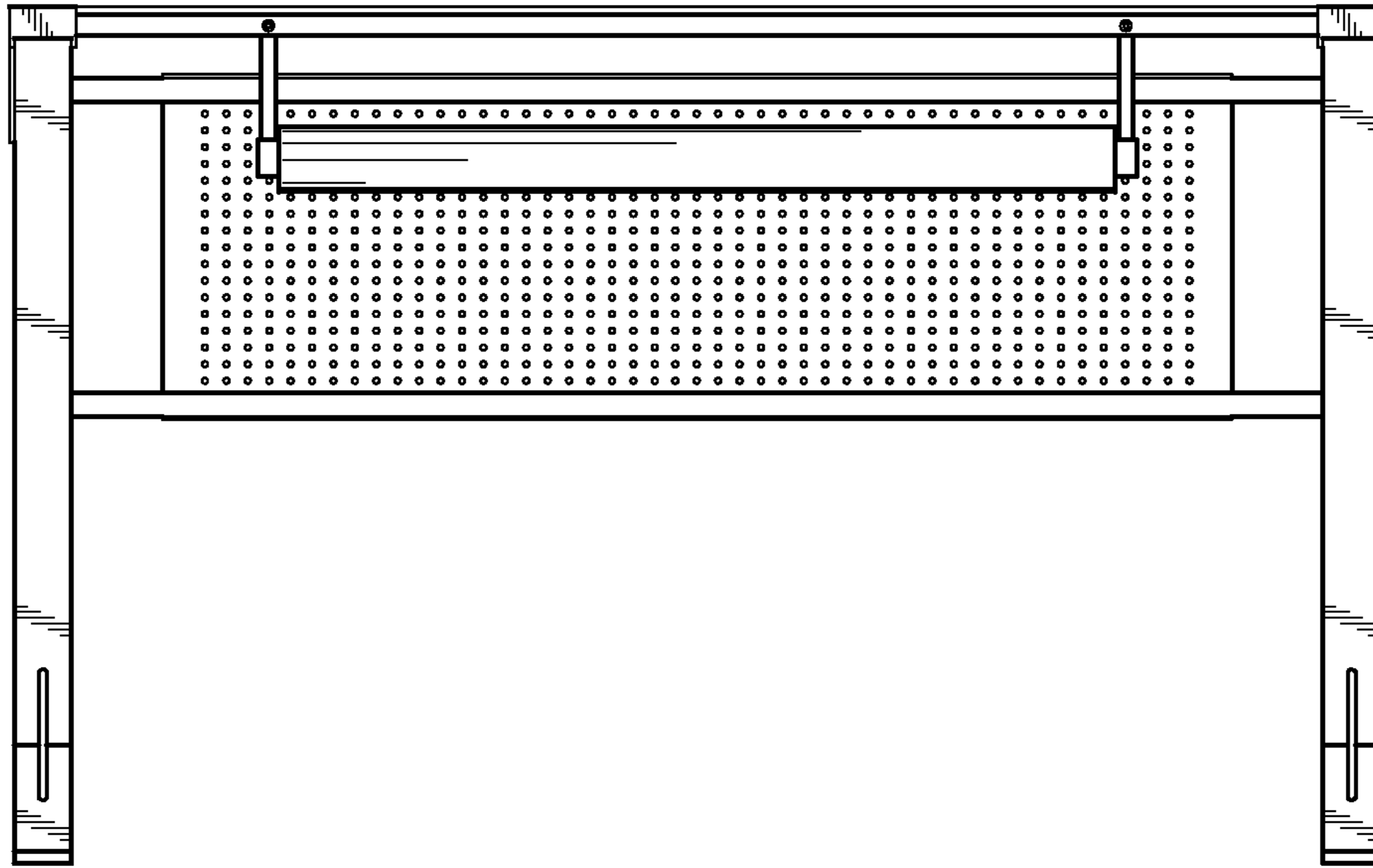


FIG. 2

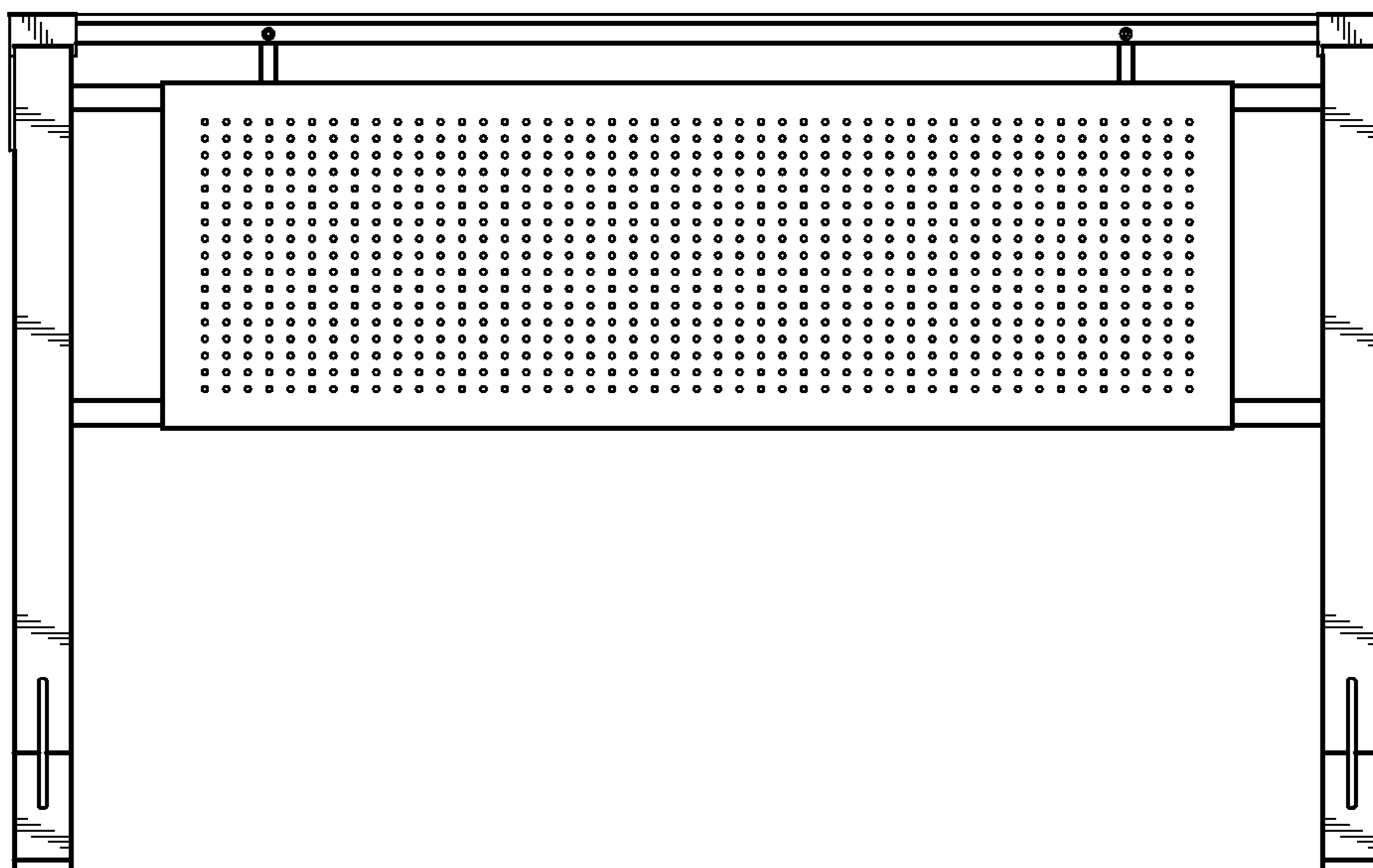


FIG. 3

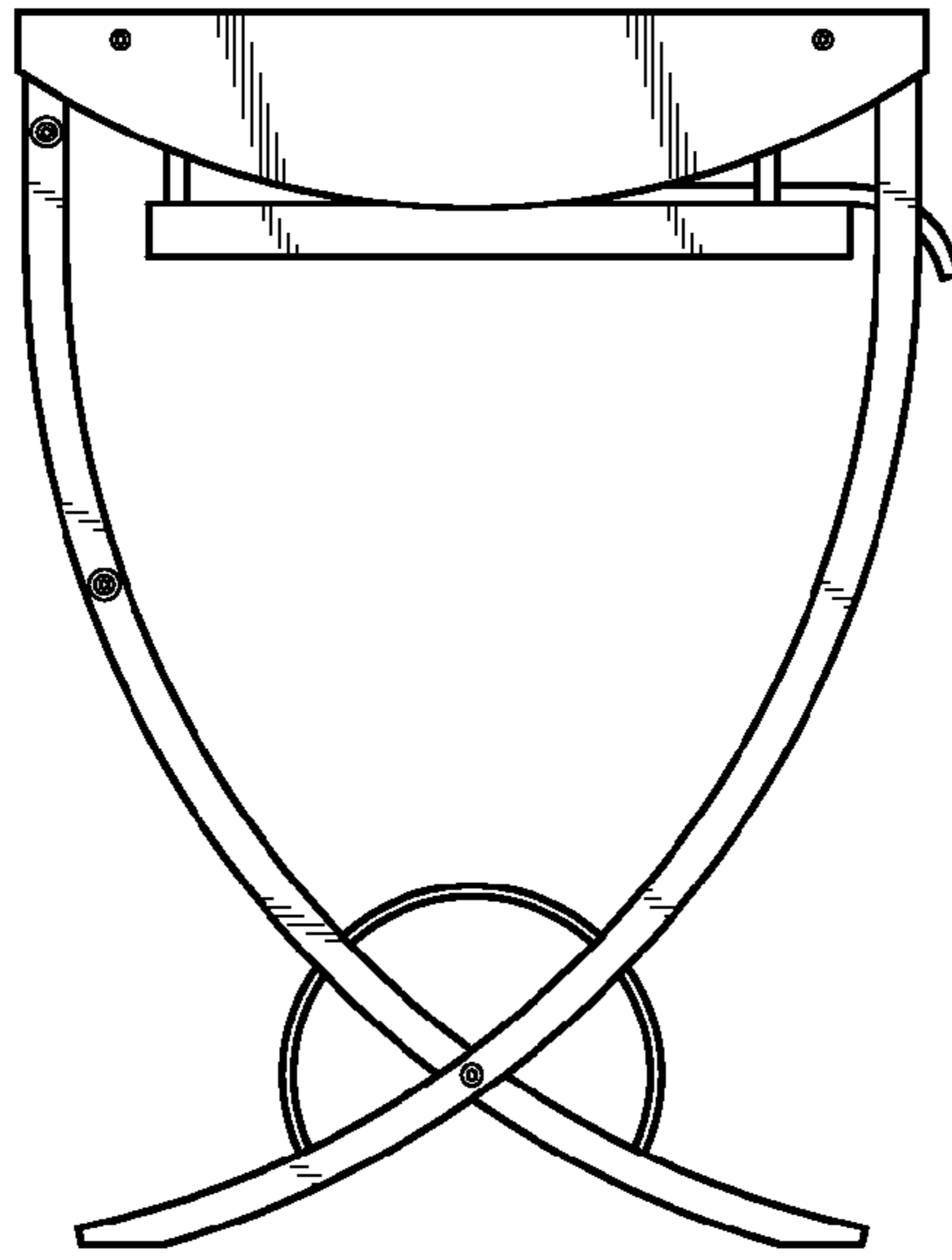


FIG. 4

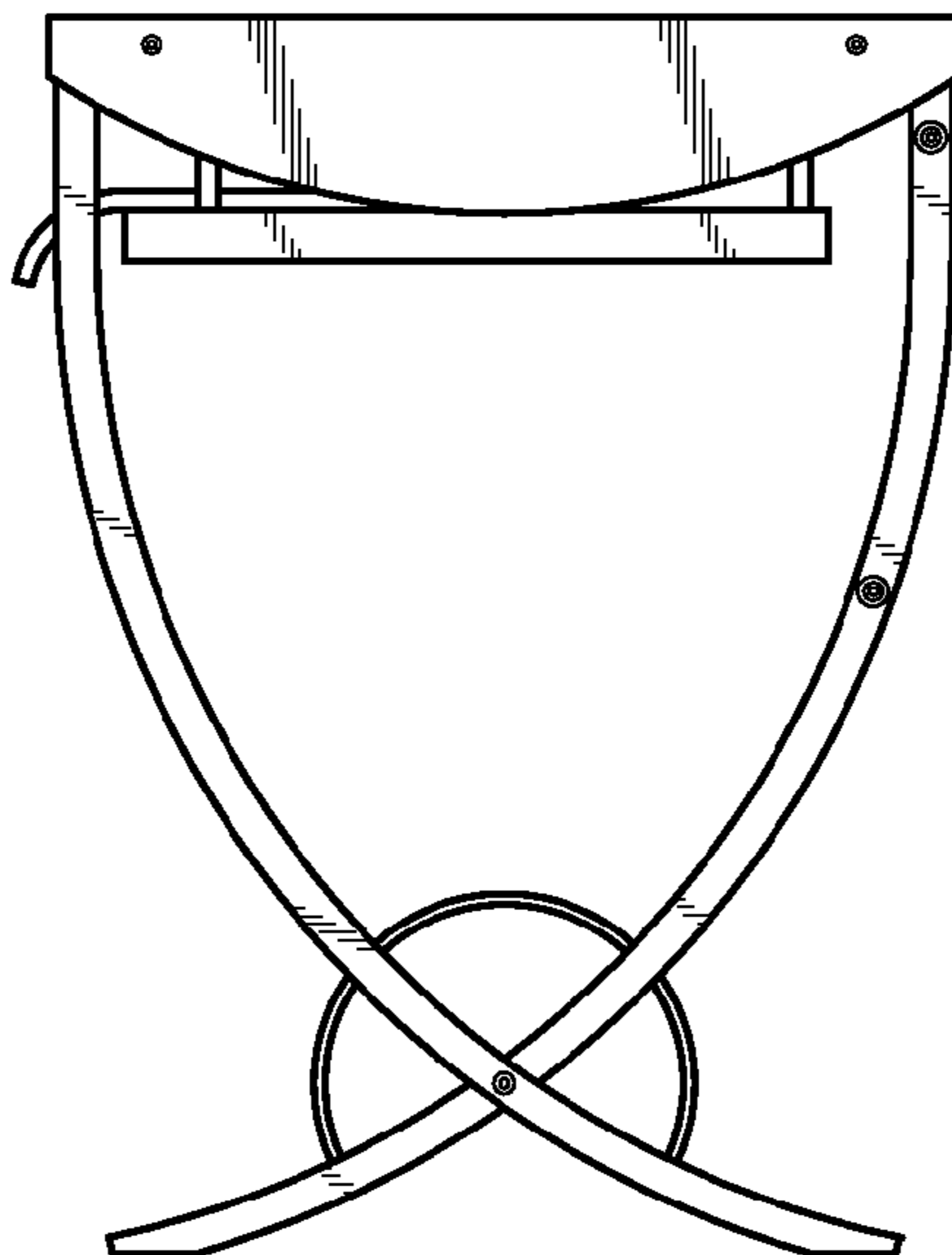


FIG. 5

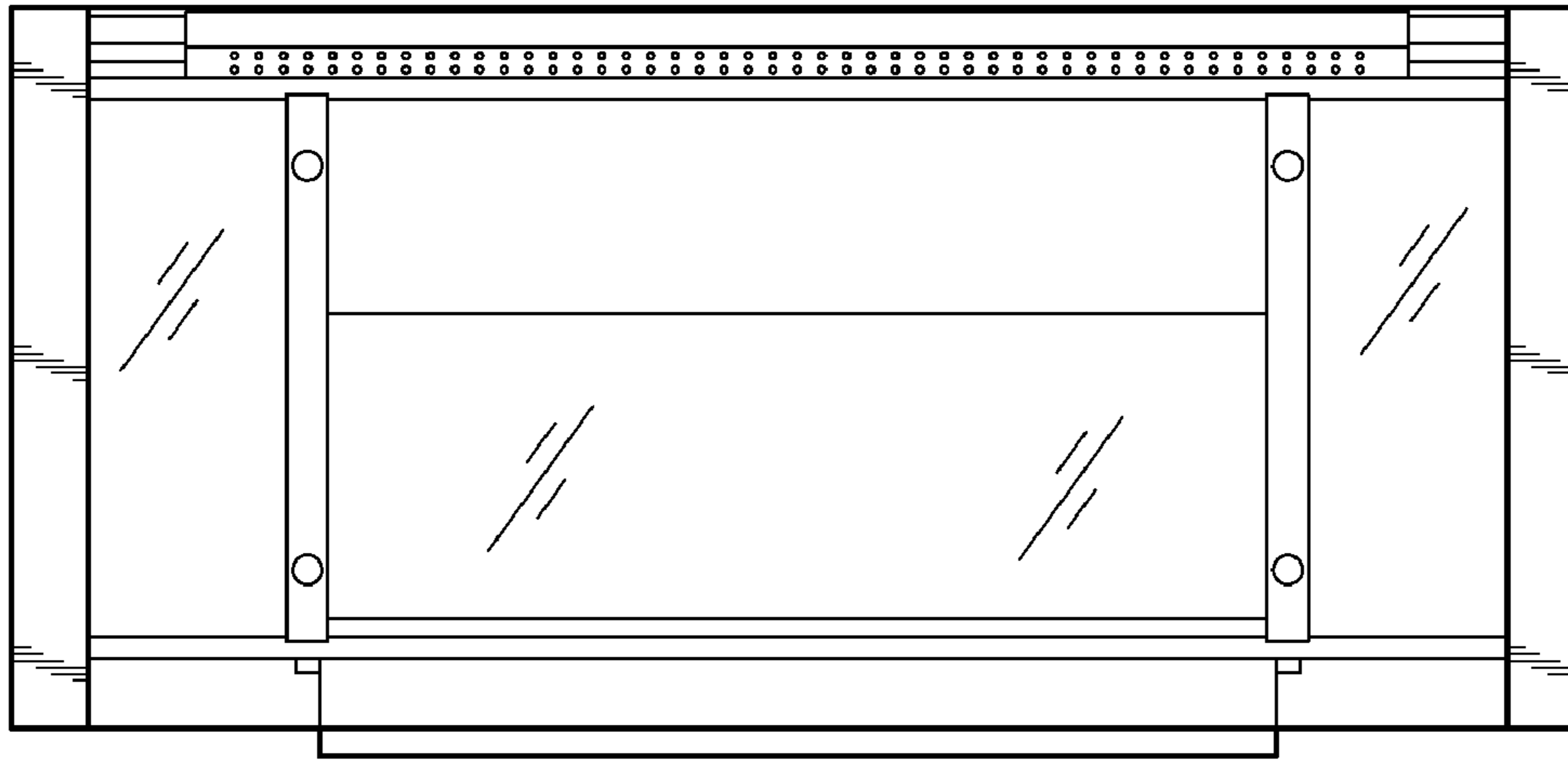


FIG. 6

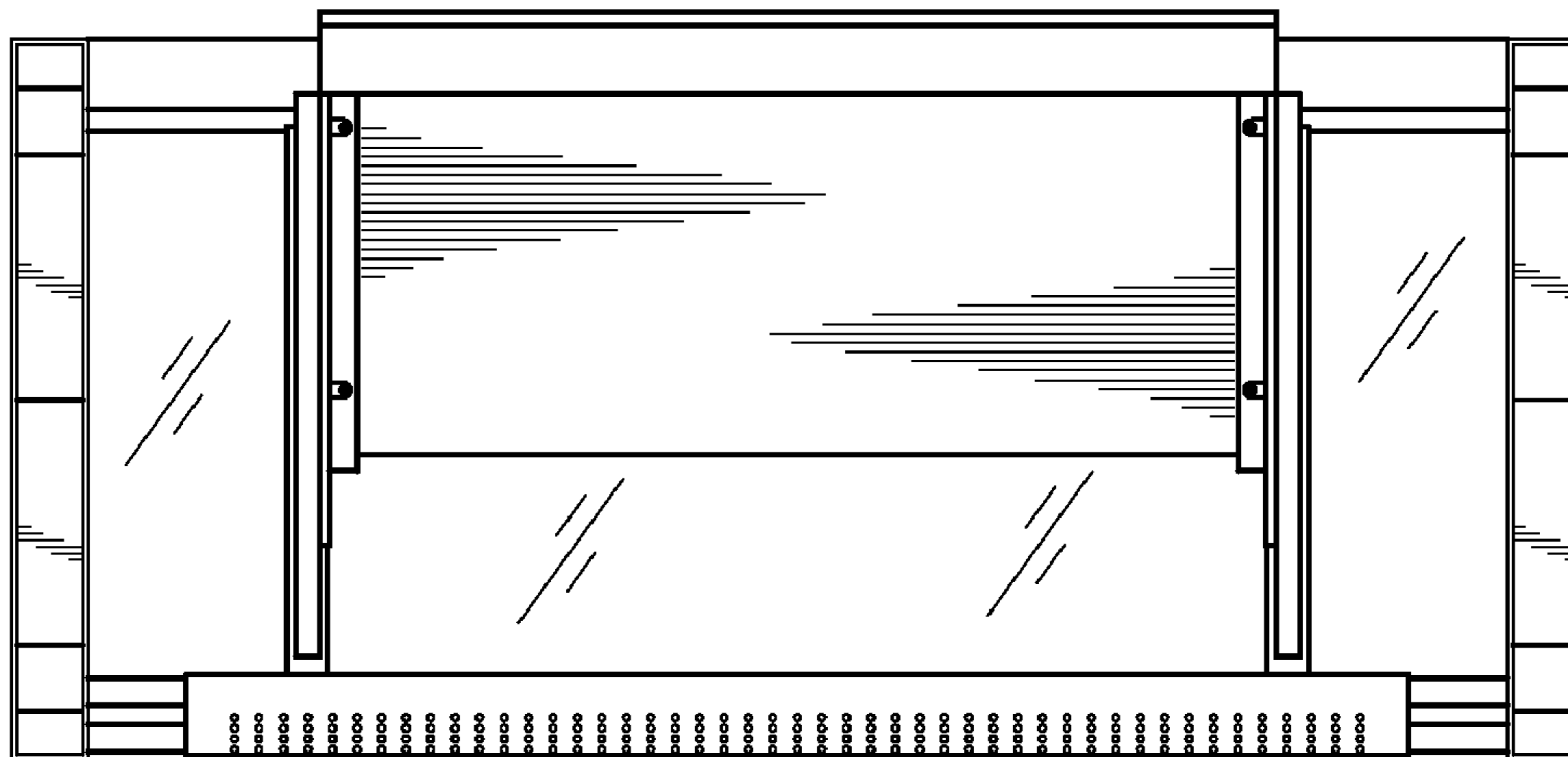


FIG. 7