



US00D575548S

(12) **United States Design Patent**
Ferrari et al.

(10) **Patent No.:** **US D575,548 S**

(45) **Date of Patent:** **** Aug. 26, 2008**

(54) **SHOW STAND FOR TILES AND CERAMIC PRODUCTS**

(75) Inventors: **Laura Ferrari**, Faenza (IT); **Cesare Reggiani**, Faenza (IT)

(73) Assignee: **Industrie Fincuoghi Societa' per Azioni**, Sassuolo (IT)

(**) Term: **14 Years**

(21) Appl. No.: **29/266,444**

(22) Filed: **Sep. 21, 2006**

(30) **Foreign Application Priority Data**

Jul. 27, 2006 (EM) 000566468

(51) **LOC (8) Cl.** **06-04**

(52) **U.S. Cl.** **D6/409**

(58) **Field of Classification Search** D6/396,
D6/409, 432, 449-465, 437, 466, 470, 474;
211/55, 126.1, 128.1; 312/114, 204
See application file for complete search history.

(56) **References Cited**

U.S. PATENT DOCUMENTS

D269,752 S *	7/1983	Bolyn	D6/409
D278,954 S *	5/1985	Bolyn	D6/409
D287,913 S *	1/1987	Knight et al.	D6/409
D300,700 S *	4/1989	Thyselius	D6/409
D303,460 S *	9/1989	Schouten	D6/409
D303,461 S *	9/1989	Schouten et al.	D6/409

D303,462 S *	9/1989	Schouten	D6/409
D304,397 S *	11/1989	Wright et al.	D6/454
D322,523 S *	12/1991	Brooks et al.	D6/409
D335,781 S *	5/1993	Moncrief et al.	D6/409
D433,838 S *	11/2000	O'Hara	D6/409

* cited by examiner

Primary Examiner—Caron D. Veynar

Assistant Examiner—Abraham Bahta

(74) *Attorney, Agent, or Firm*—Modiano & Associati; Albert Josif; Daniel J. O'Byrne

(57) **CLAIM**

The ornamental design for a “show stand,” for tiles and ceramic products, as shown and described.

DESCRIPTION

FIG. 1 is a perspective view of the show stand for tiles and ceramic products showing our new design;

FIG. 2 is a top plan view thereof;

FIG. 3 is a bottom plan view thereof;

FIG. 4 is a front view thereof;

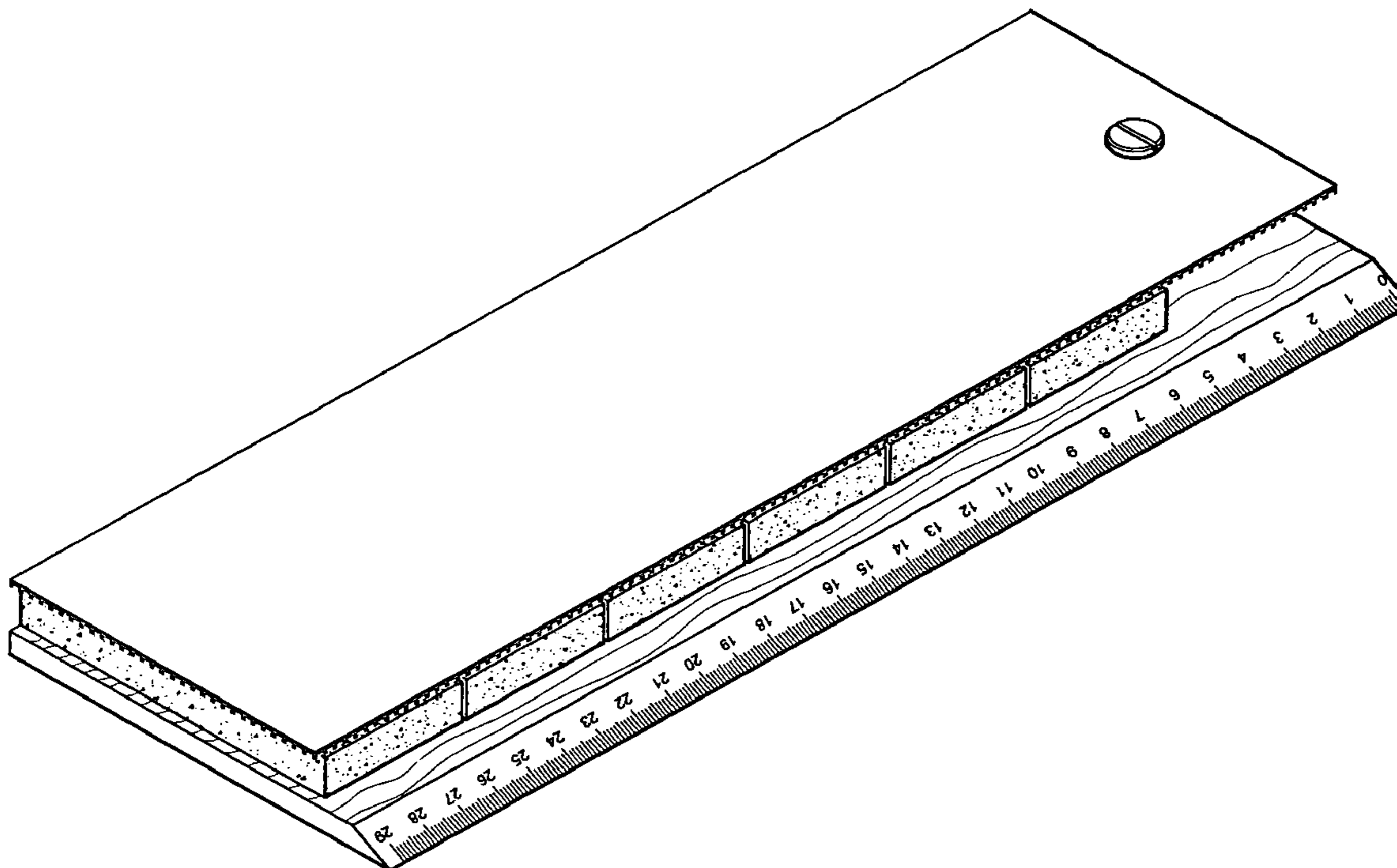
FIG. 5 is a right side view thereof;

FIG. 6 is a left side view thereof; and,

FIG. 7 is a perspective view (in an open configuration) thereof.

The broken lines shown in FIG. 7 are for illustrative purposes only and form no part of the claimed design.

1 Claim, 3 Drawing Sheets



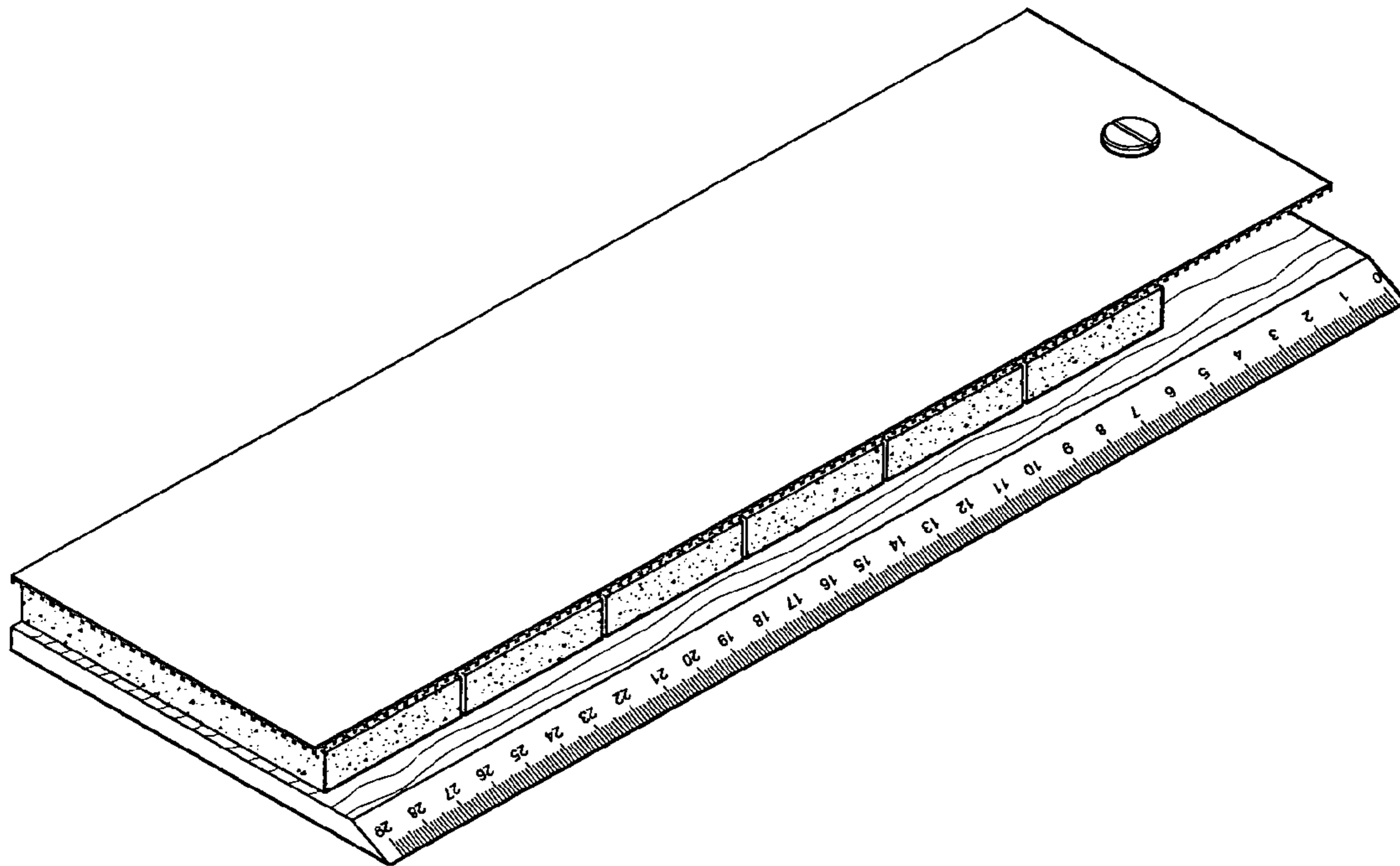


Fig. 1

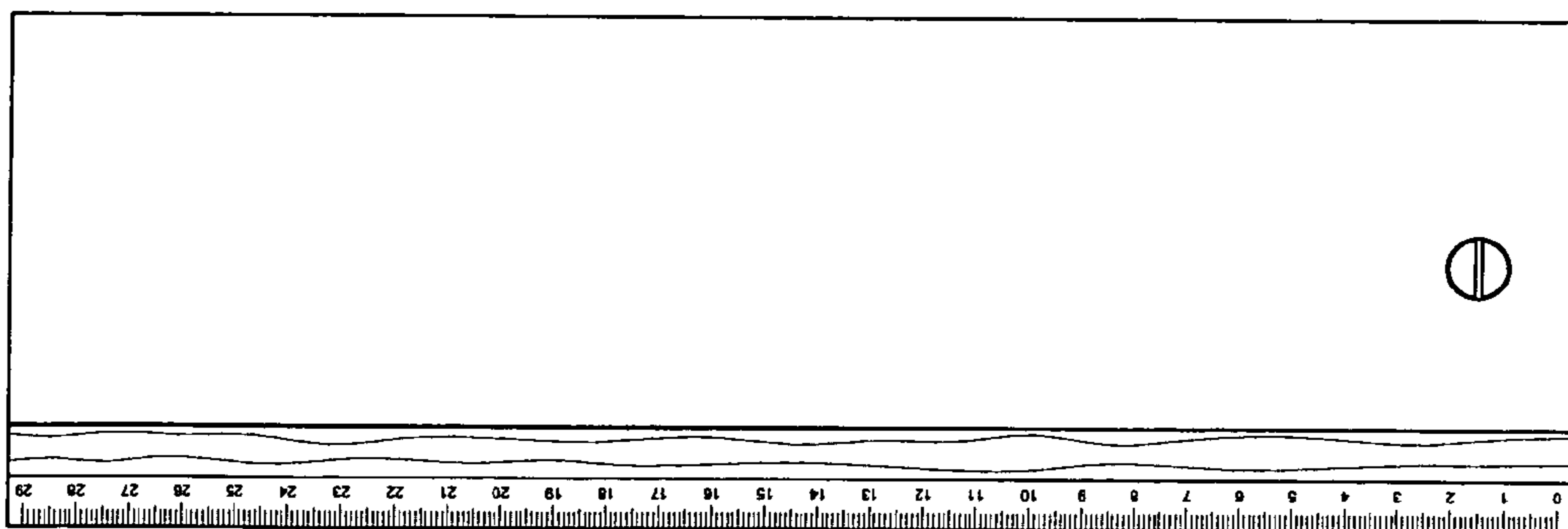


Fig. 2

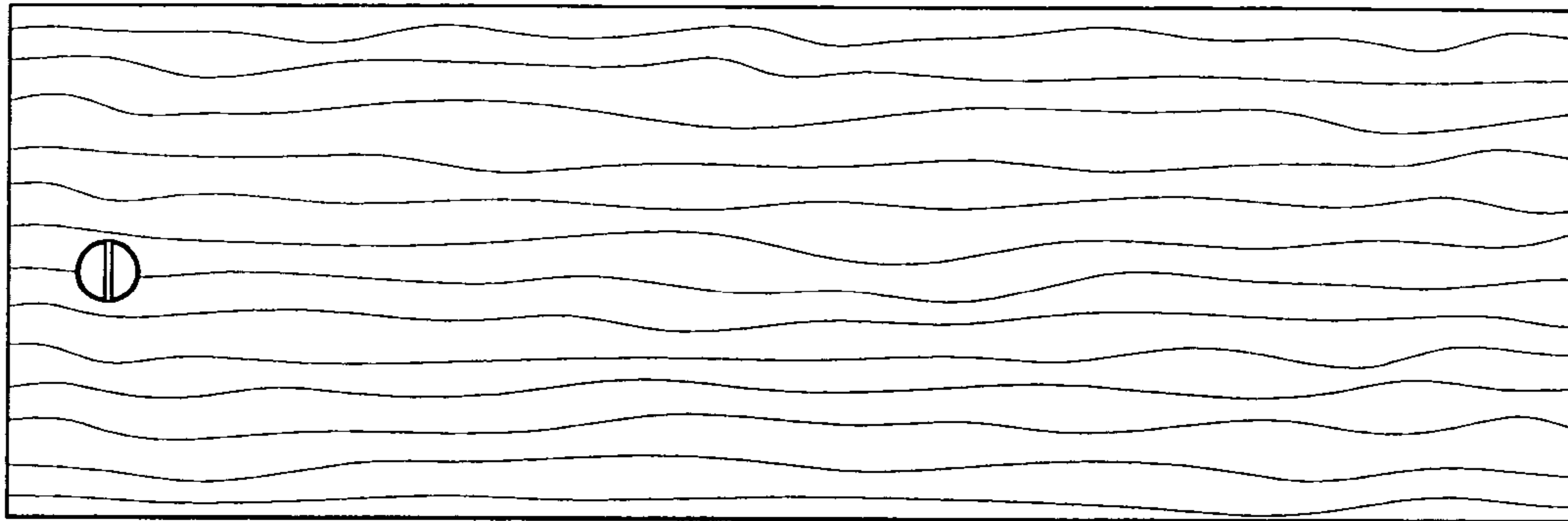


Fig. 3

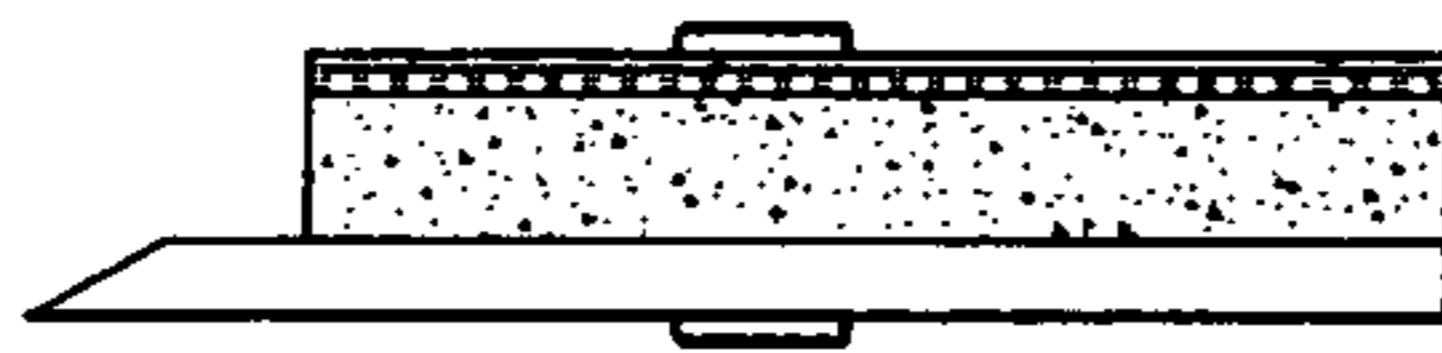


Fig. 4

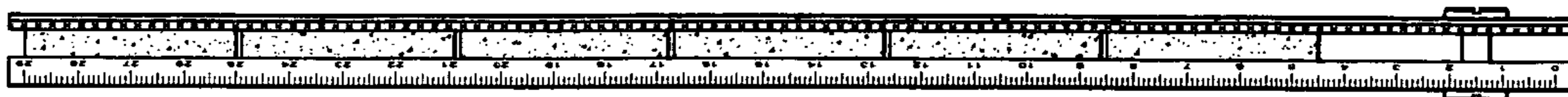


Fig. 5

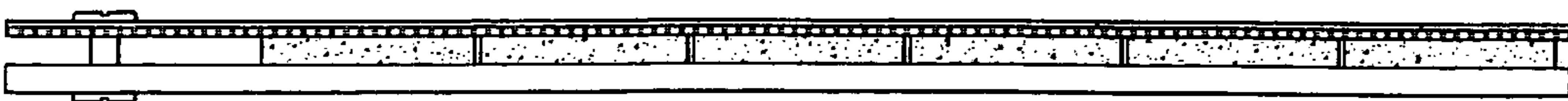


Fig. 6

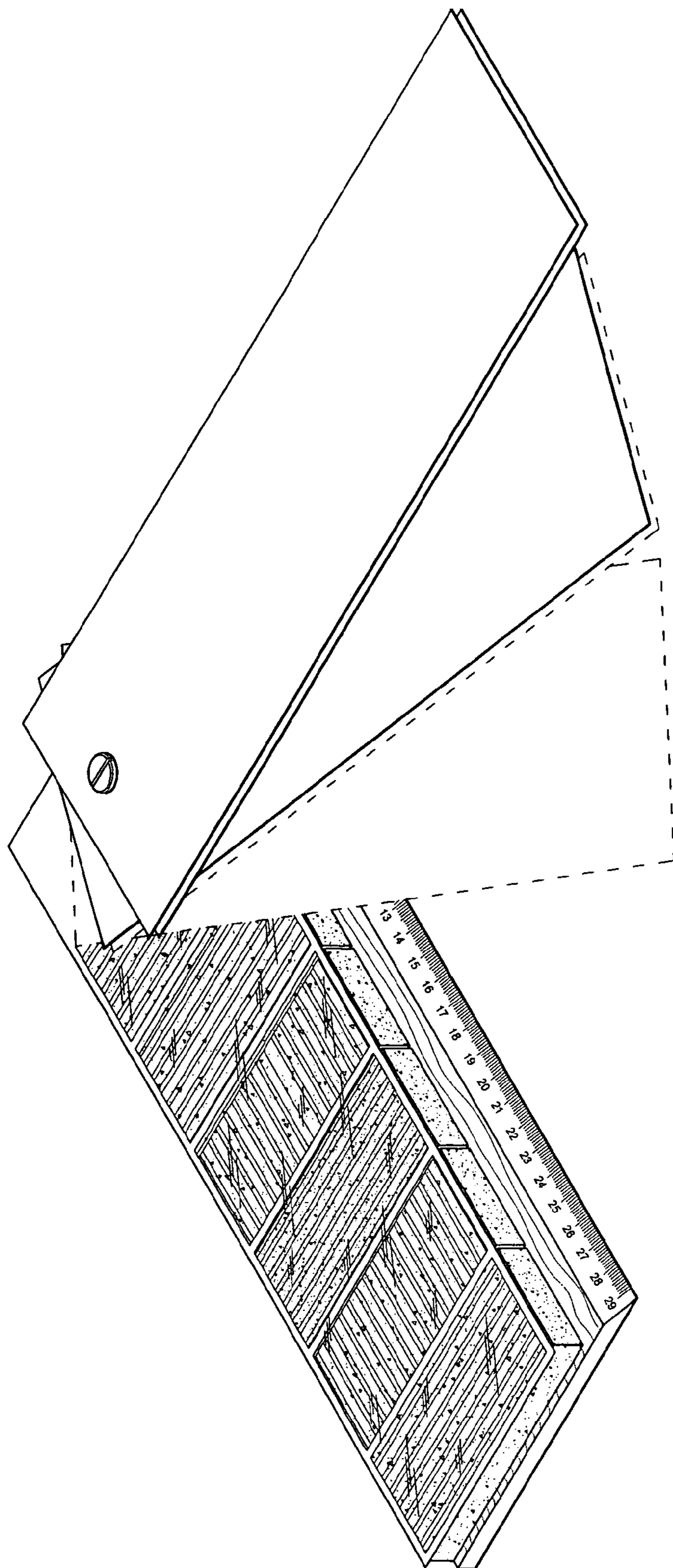


Fig. 7