



US00D575547S

(12) **United States Design Patent**
Takeshita

(10) **Patent No.:** **US D575,547 S**

(45) **Date of Patent:** **** Aug. 26, 2008**

(54) **COMPACT DISK RETAINER**

(75) Inventor: **Sanshiro Takeshita, Shiojiri (JP)**

(73) Assignee: **Seiko Epson Corporation (JP)**

(**) Term: **14 Years**

(21) Appl. No.: **29/273,464**

(22) Filed: **Mar. 6, 2007**

(30) **Foreign Application Priority Data**

Sep. 19, 2006 (JP) 2006-024967

(51) **LOC (8) Cl.** **06-02**

(52) **U.S. Cl.** **D6/407**

(58) **Field of Classification Search** D6/407,
D6/626-635; 206/307, 307.1, 308.1, 309,
206/311, 312, 313, 310, 751; 211/40, 41.1,
211/41.12; D19/75, 86, 90

See application file for complete search history.

(56) **References Cited**

U.S. PATENT DOCUMENTS

| | | | | | | |
|-----------|----|---|---------|--------------------|-------|-----------|
| D335,215 | S | * | 5/1993 | Stumpff | | D6/634 |
| 5,896,986 | A | | 4/1999 | Bologna et al. | | |
| 5,944,181 | A | * | 8/1999 | Lau | | 206/308.1 |
| D426,978 | S | | 6/2000 | Belden, Jr. et al. | | |
| D439,435 | S | * | 3/2001 | Belden et al. | | D6/407 |
| D466,718 | S | * | 12/2002 | Abeyta et al. | | D6/407 |
| D480,891 | S | * | 10/2003 | Hiramatsu | | D6/407 |
| 6,681,930 | B1 | * | 1/2004 | Yang | | 206/310 |
| D493,300 | S | * | 7/2004 | Pijanowski et al. | | D6/407 |
| D493,661 | S | * | 8/2004 | Yau | | D6/635 |

| | | | | | | |
|-----------|----|---|---------|--------------|-------|-----------|
| 6,874,625 | B2 | * | 4/2005 | Chang | | 206/308.1 |
| D518,676 | S | * | 4/2006 | Lee et al. | | D6/634 |
| D532,989 | S | * | 12/2006 | Wells | | D6/407 |
| D551,877 | S | * | 10/2007 | Kirtz et al. | | D6/407 |
| D555,391 | S | * | 11/2007 | Kent et al. | | D6/407 |

* cited by examiner

Primary Examiner—Charles A. Rademaker

Assistant Examiner—Charles D Hanson

(74) *Attorney, Agent, or Firm*—Harness, Dickey & Pierce, P.L.C.

(57) **CLAIM**

The ornamental design for a compact disk retainer, as shown and described.

DESCRIPTION

FIG. 1 is a front view of a compact disk retainer showing my new design;

FIG. 2 is a right side view thereof;

FIG. 3 is a top view thereof;

FIG. 4 is a bottom view thereof;

FIG. 5 is a top perspective view thereof;

FIG. 6 is a bottom perspective view thereof;

FIG. 7 is an enlarged top view thereof;

FIG. 8 is an enlarged top perspective view thereof; and,

FIG. 9 is an enlarged bottom perspective view thereof.

The broken lines shown in the drawings are included for the purpose of illustrating environment and form no part of the claimed design.

1 Claim, 4 Drawing Sheets

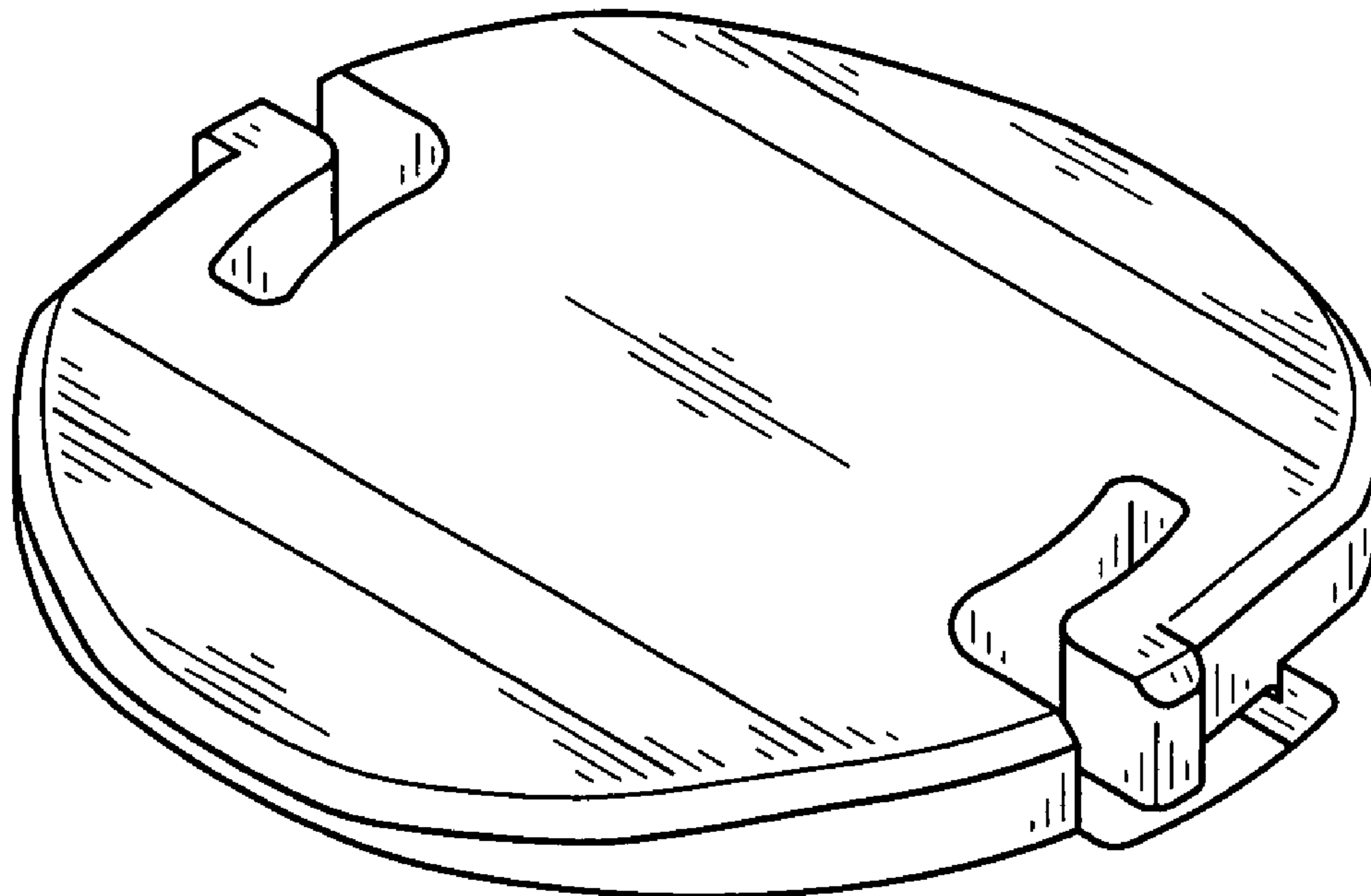




FIG. 1



FIG. 2

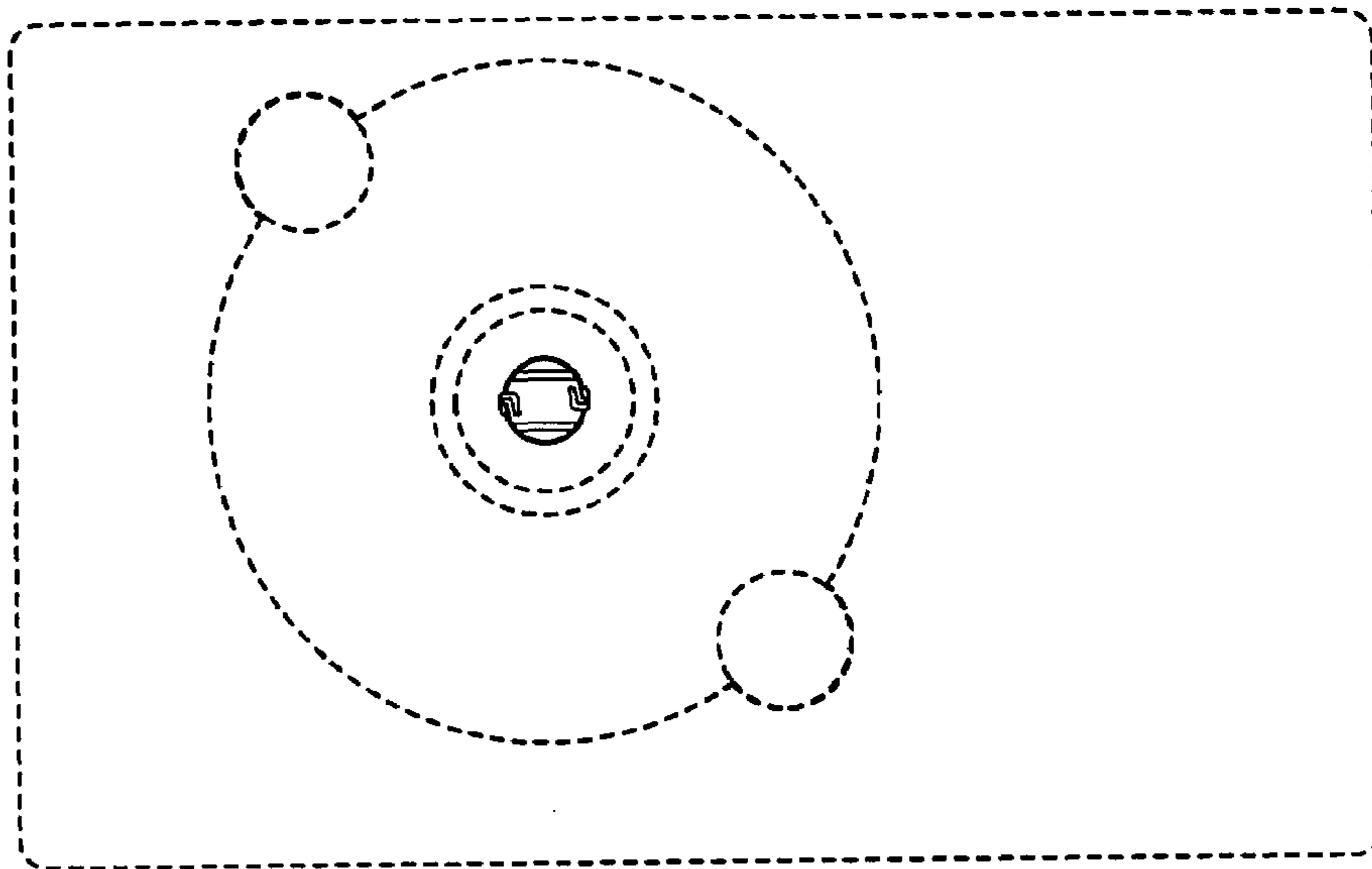


FIG. 3

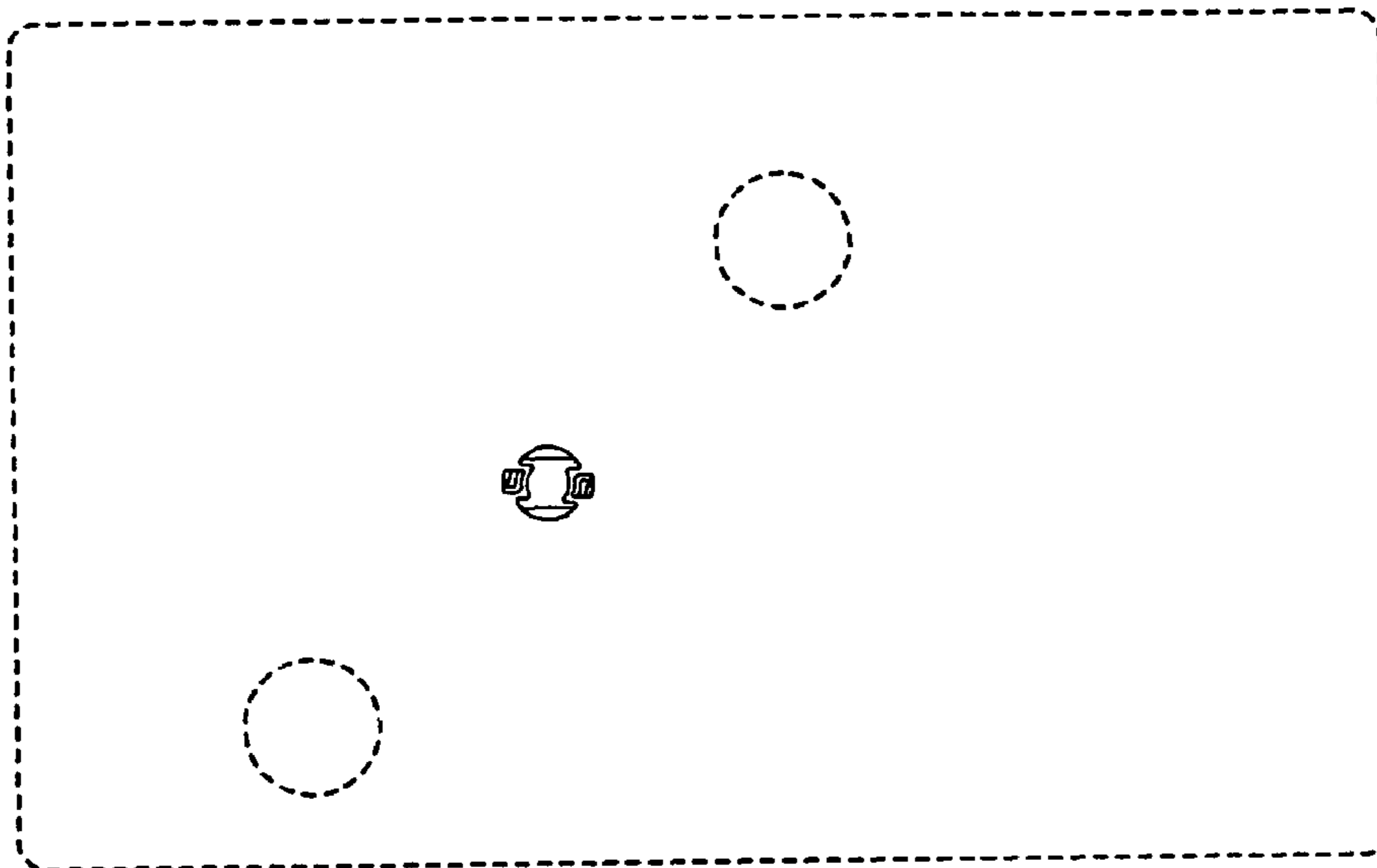


FIG. 4

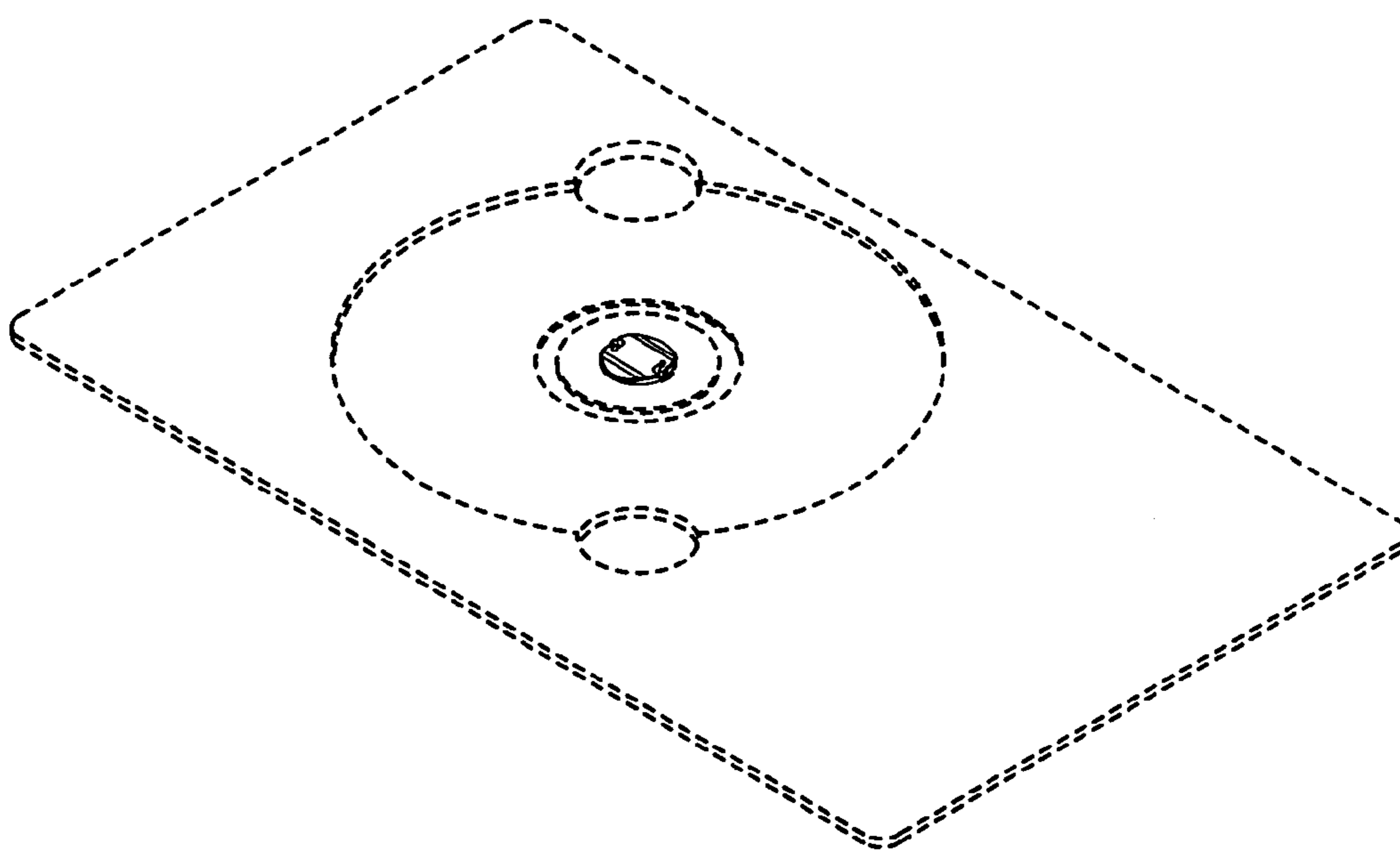


FIG. 5

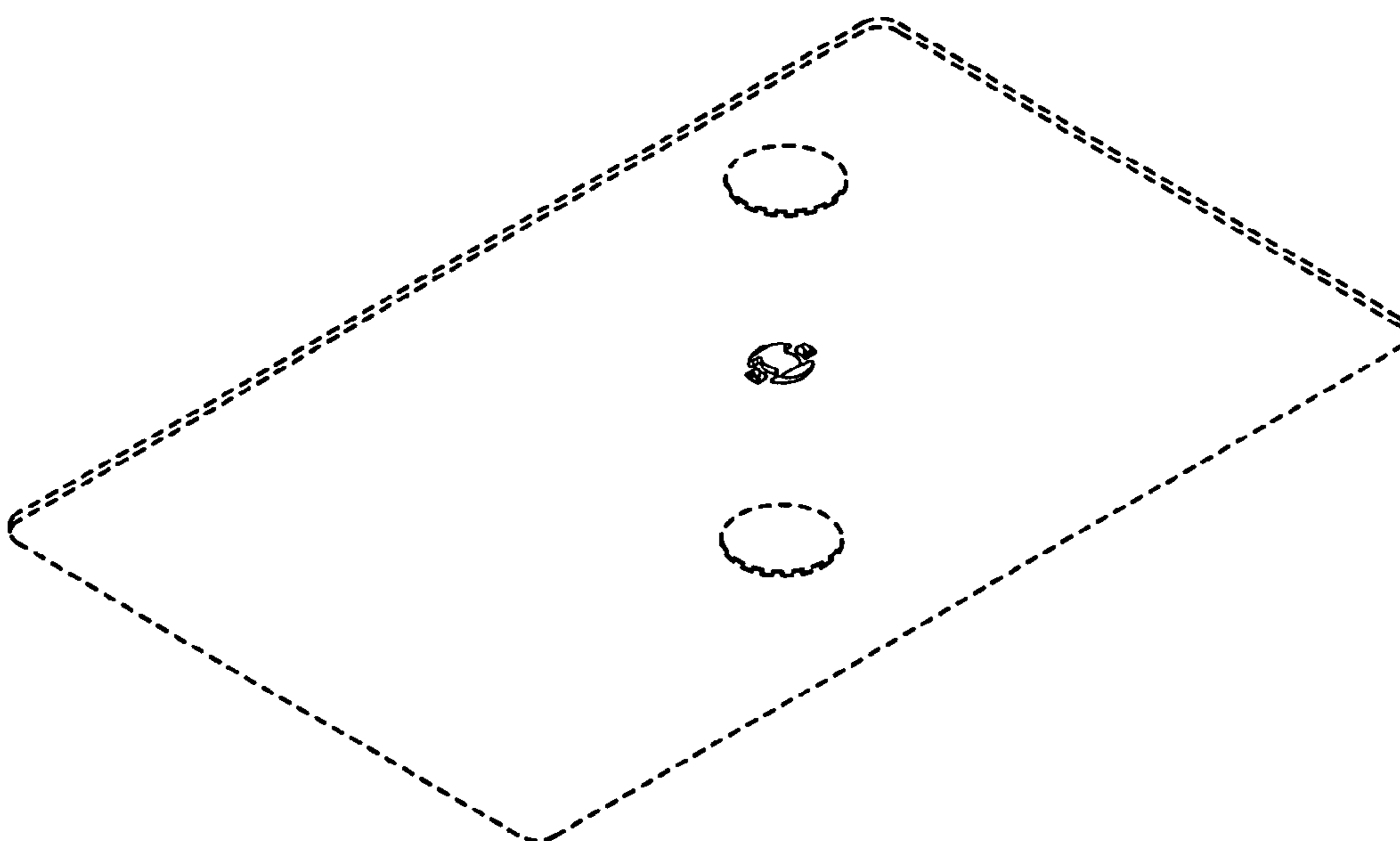


FIG. 6

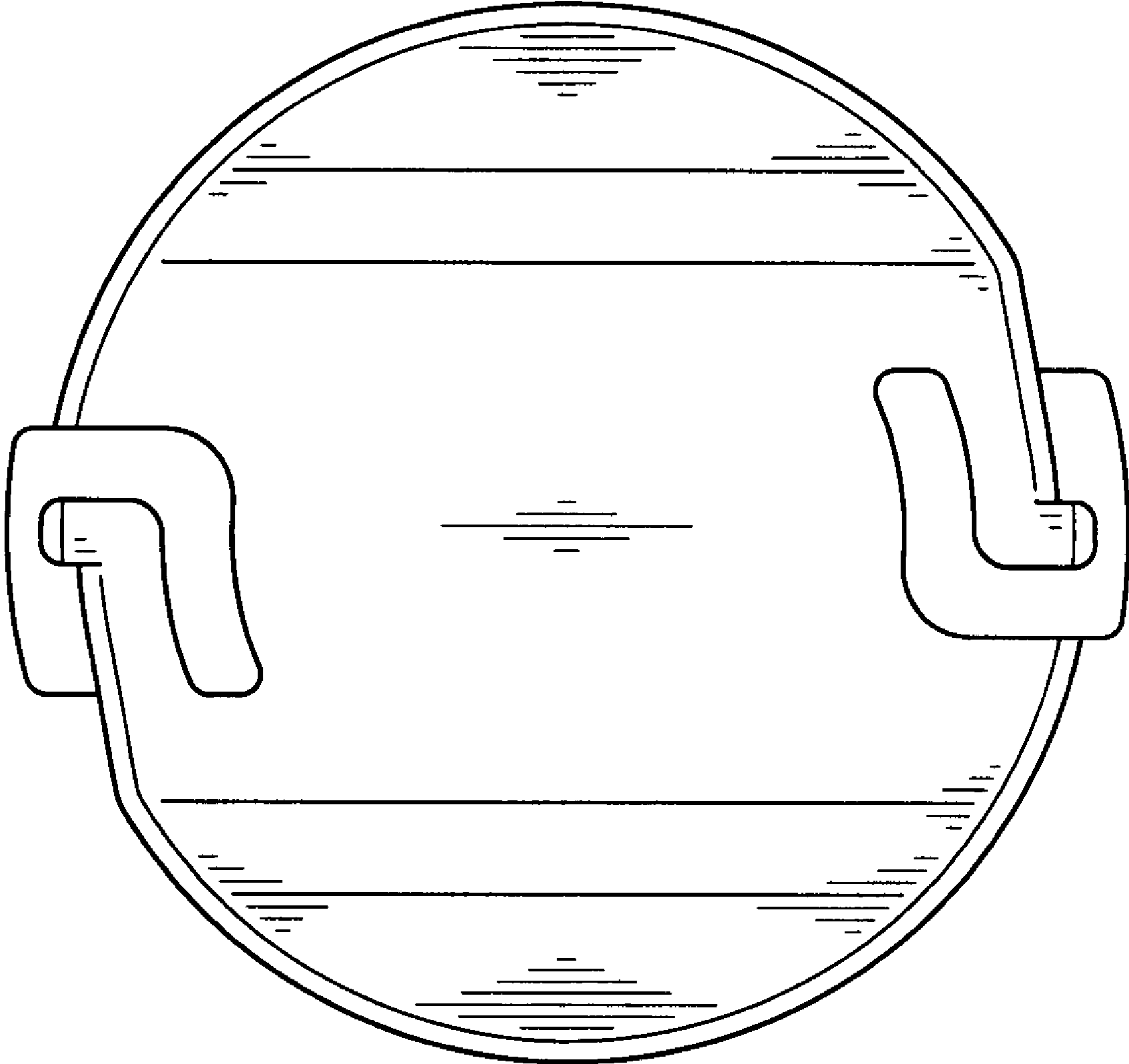


FIG. 7

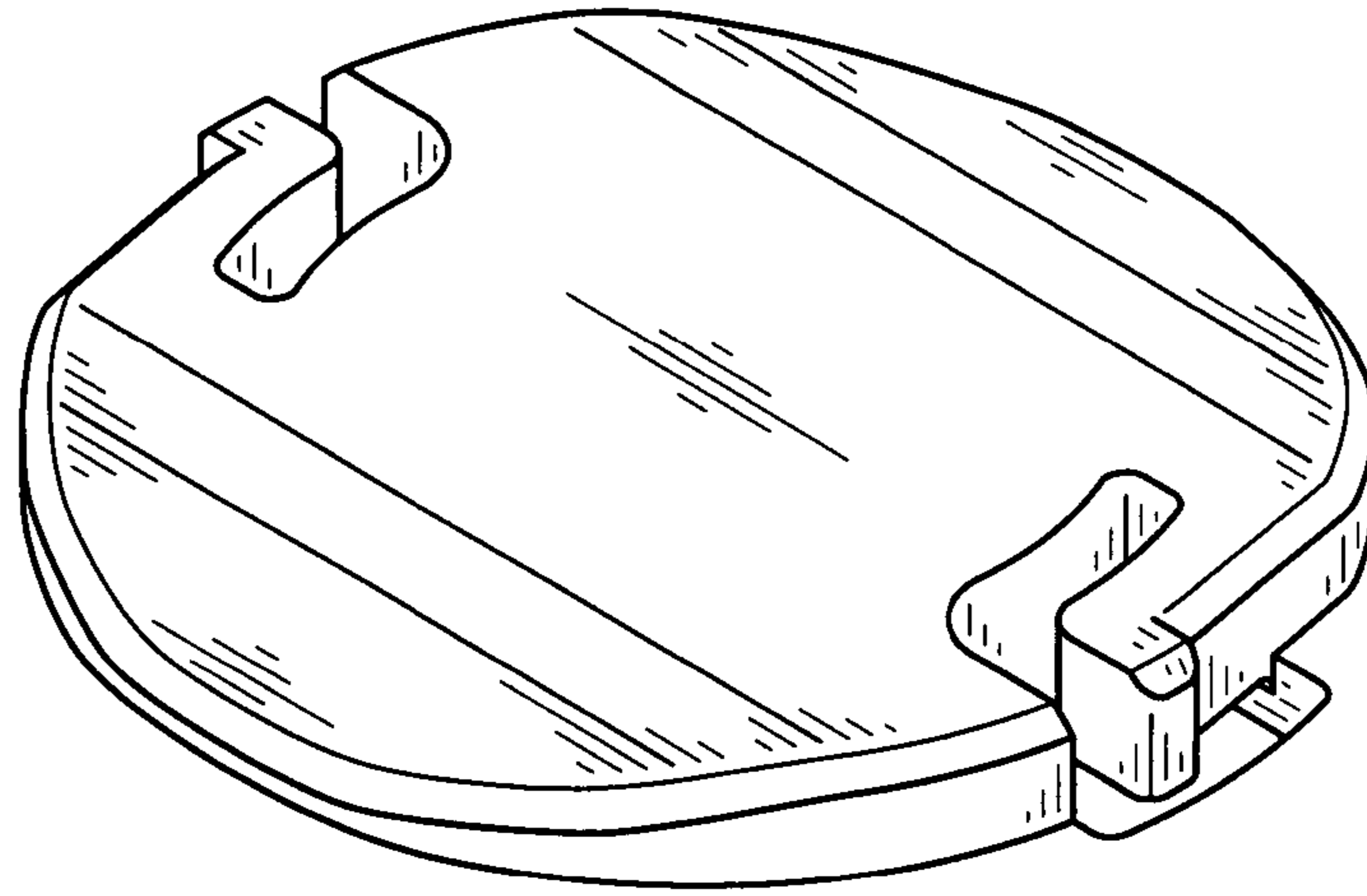


FIG. 8

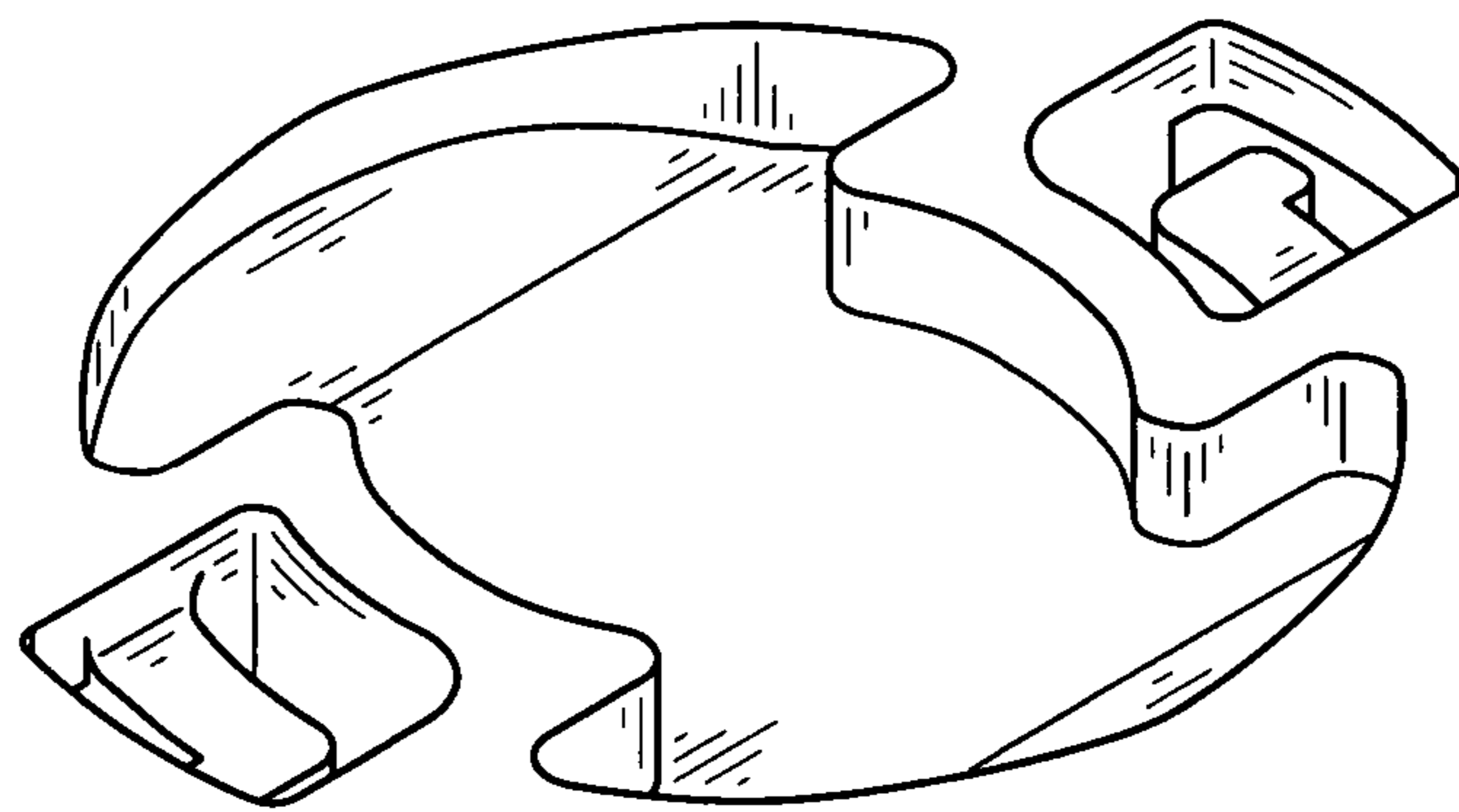


FIG. 9